

Plug - with screwless terminals



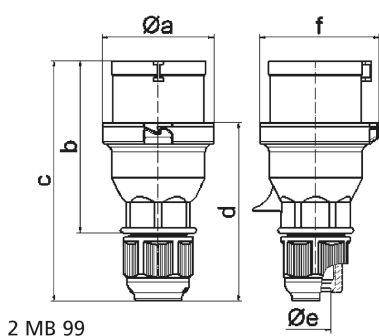
| Product description | |
|---------------------------|---------------------|
| BALS-Prd.-Nr | 2148 |
| EAN | 4024941021487 |
| Product category | QUICK-CONNECT plug |
| Current | 32A |
| Number of poles | 5p |
| Arrangement of phases | 3p+N+PE |
| Position of earth contact | 6 h |
| Voltage | 200/346 - 240/415V~ |
| Frequency | 50/60Hz |

| Product description | |
|------------------------|--|
| Protection degree | IP44 |
| Colour code | red RAL 3000 |
| Colour of appliance | Housing cover red RAL 3000, Collar red RAL 3000, Cable gland grey RAL 7035 |
| Connection design | screwless spring-clamp technology |
| Maximum conductor size | 6,0 qmm |
| Cable entry | Cable gland |
| Height | 178mm |
| Width | 79mm |
| Depth | 88mm |
| Material of enclosure | Polyamide |
| Contacts | the contact carrier is made of polyamide, the contacts are brass |

| Additional technical information | |
|----------------------------------|--|
| | MULTI-GRIP cable gland with gasket and integrated strain relief, Screwless housing connection with snap fastening, For cable diameter from 11 up to max. 23,5 mm |

| Logistics data | |
|----------------|------------------|
| Weight/pcs | 0.265 kg / Piece |
| Packaging | Carton |
| Content amount | 10 ST |
| EAN | 4024941000857 |

| Logistics data | |
|----------------|-----------|
| Length | 295 mm |
| Width | 185 mm |
| Height | 215 mm |
| Weight | 2.814 kg |
| Volume | 9,975 ccm |



2 MB 99

| Ampere Polzahl | 16 3 | 16 4 | 16 5 | 32 3 | 32 4 | 32 5 |
|----------------------------|---------|---------|---------|---------|---------|---------|
| a ø | 53,0 | 60,0 | 66,0 | 74,5 | 74,5 | 74,5 |
| b | 93,5 | 100,5 | 103,0 | 121,0 | 121,0 | 121,5 |
| c | 134,0 | 141,0 | 142,0 | 174,0 | 174,0 | 174,5 |
| d | 97,5 | 104,5 | 105,5 | 128,0 | 128,0 | 128,5 |
| e ø | 18,0 | 18,0 | 18,0 | 23,0 | 23,0 | 23,0 |
| f | 57,5 | 64,5 | 70,5 | 78,0 | 78,0 | 80,0 |
| Leiter mm ² min | 1 | 1 | 1 | 2,5 | 2,5 | 2,5 |
| Leiter mm ² max | 2,5 | 2,5 | 2,5 | 6 | 6 | 6 |
| | | | | | | |
| | | | | | | |
| | | | | | | |