

IE-TO-RJ45-C**Weidmüller Interface GmbH & Co. KG**

Klingenbergstraße 26

D-32758 Detmold

Germany

www.weidmueller.com

Mounting rail outlet, RJ45 junction design according to IEC 60603-7-51

General ordering data

Version	Mounting rail outlet, RJ45, Coupling, IP20, Cat.6A / Class EA (ISO/IEC 11801 2010)
Order No.	8946920000
Type	IE-TO-RJ45-C
GTIN (EAN)	4032248734801
Qty.	10 pc(s).
Reference product	1962840000

Creation date September 27, 2023 8:06:09 AM CEST

Catalogue status 15.09.2023 / We reserve the right to make technical changes.

IE-TO-RJ45-C

Weidmüller Interface GmbH & Co. KG

Klingenbergstraße 26

D-32758 Detmold

Germany

www.weidmueller.com

Technical data

Dimensions and weights

Net weight	52.1 g
------------	--------

Temperatures

Operating temperature	-40 °C...70 °C	Operating temperature, min.	-40 °C
Operating temperature, max.	70 °C	Humidity	0...93 % rel. humidity

General data

Connection 1	RJ45	Connection 2	RJ45
Configuration	Switchable volt. connection from module/ coupling to mounting rail	Wiring	Coupling
Colour	Light Grey	Shock resistance acc. to IEC 60512-6-3	250 ms ⁻²
Vibration resistance acc. to IEC 60512-6-4	50 ms ⁻² sinusoidal (9...500 Hz)	Humidity	0...93 % rel. humidity
Housing main material	PA UL 94 V0, PA 66 UL V0 E63957	Category	Cat.6A / Class EA (ISO/ IEC 11801 2010)
Contact material	Spring steel, Ni 1.2 µm	Contact surface	Au ≥ 0.8 µm
Type of mounting	TS 35	Shielding	Yes
Protection degree	IP20	Plugging cycles	750 (RJ45)

Electrical properties

Contact resistance	≤ 20 mΩ	Current-carrying capacity at 50 °C	1 A
Dielectric strength, contact / contact	≥ 1000 V AC/DC	Dielectric strength, contact / shield	≥ 1500 V AC/DC
Insulation strength	500 MΩ	PoE / PoE+	conforming to IEEE 802.3af

General standards

Connector standard	IEC 60603-7-51
--------------------	----------------

Classifications

ETIM 6.0	EC000313	ETIM 7.0	EC000313
ETIM 8.0	EC000313	ETIM 9.0	EC000313
ECLASS 9.0	27-44-03-20	ECLASS 9.1	19-17-01-25
ECLASS 10.0	27-44-03-20	ECLASS 11.0	27-44-03-20
ECLASS 12.0	27-44-03-20	ECLASS 13.0	27440320

Approvals

ROHS	Conform
------	---------

IE-TO-RJ45-C**Weidmüller Interface GmbH & Co. KG**

Klingenbergstraße 26

D-32758 Detmold

Germany

www.weidmueller.com**Technical data****Downloads**

Approval/Certificate/Document of Conformity	ISO/IEC and TIA/EIA DE ISO/IEC EN and TIA/EIA Screened Class E Category 6, 3 connector permanent link ISO/IEC EN and TIA/EIA Screened Class E Category 6, 4 connector channel ISO/IEC EN and TIA/EIA Screened Class EA Category 6A, 2 connector channel PROFINET Manufacturer's Declaration
Engineering Data	CAD data – STEP
Engineering Data	Zuken E3.S
User Documentation	MAN IE GUIDE DE MAN IE GUIDE EN Manual
Catalogues	Catalogues in PDF-format
Brochures	MB FREECONTACT EN FL FIELDWIRING EN PI PROFINET CABLING EN PI PROFINET CABLING EN

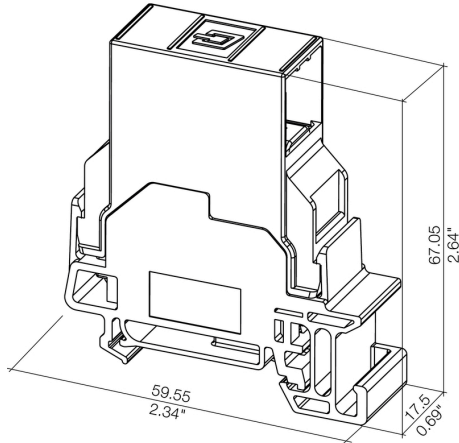
IE-TO-RJ45-C

Weidmüller Interface GmbH & Co. KG
Klingenbergstraße 26
D-32758 Detmold
Germany

www.weidmueller.com

Drawings

Dimensioned drawing



Drawing

