

KLIPPON K41 EX

Weidmüller Interfaces GmbH & Co. KG

Postfach 3030

32760 Detmold

Tel. +49 5231 14-0

Fax. +49 5231 14-2083

info@weidmueller.com

www.weidmueller.com

Similar to illustration



The aluminium Klippon® K enclosures are suitable for use in an extremely wide range of different areas. Various components can be installed inside the enclosures, and will benefit in particular from the high temperature resistance, the excellent IP protection and the good impact resistance.

No matter what kind of application the customer is planning, Weidmüller is able to provide a wide range of aluminium enclosures precisely fitting the customer's requirements.

Klippon® K enclosures for hazardous areas are available on request.

Our extensive product range offers the following advantages:

- Available in two surface finishes: natural and powder-coated (RAL 7001)
- With chloroprene moulded seal as standard (silicone moulded seal optionally available)
- Standardised closure system with Torx slotted screw head for 19 enclosure sizes
- Mounting holes outside of the gasket area
- High IP protection classes: IP66, IP67 and IP68 according to DIN EN 60529
- Impact resistance of up to 7 (10) Joules
- The enclosures are approved according ATEX, IECEx, EAC, cULus, Russian Maritime Register and DNV GL as well as the empty enclosure standard.

- Suitable for railway applications according to EN 45545-2:2013
- Alloy is resistant to salt water
- Standardised distributor enclosures with threaded holes and a variety of terminal configurations

General ordering data

| | |
|------------|-------------------------------------------------------------------------------------------------------------------------------------------------------------------------|
| Version | Klippon K (aluminium empty enclosure), Empty enclosure, Aluminium enclosure, Height: 120 mm, Width: 122 mm, Depth: 81 mm, Material: Aluminium AISi12, untreated, silver |
| Order No. | 9526920000 |
| Type | KLIPPON K41 EX |
| GTIN (EAN) | 4032248019076 |
| Qty. | 1 pc(s). |

KLIPPON K41 EX

Weidmüller Interfaces GmbH & Co. KG

Postfach 3030

32760 Detmold

Tel. +49 5231 14-0

Fax. +49 5231 14-2083

info@weidmueller.com

www.weidmueller.com

Technical data

Dimensions and weights

| | | | |
|-----------------------------|--------|----------------------------|------------|
| Depth | 81 mm | Depth (inches) | 3.189 inch |
| Height | 120 mm | Height (inches) | 4.724 inch |
| Width | 122 mm | Width (inches) | 4.803 inch |
| Mounting dimension - height | 82 mm | Mounting dimension - width | 106 mm |
| Net weight | 986 g | | |

Temperatures

| | | | |
|-----------------------------|-----------------|-----------------------------|--------|
| Operating temperature | -60 °C...135 °C | Operating temperature, min. | -60 °C |
| Operating temperature, max. | 135 °C | | |

Cable glands, left

| | | | |
|-----|---|-----|---|
| M12 | 4 | M16 | 4 |
| M20 | 2 | M25 | 1 |
| M32 | 1 | | |

Cable glands, right

| | | | |
|-----|---|-----|---|
| M12 | 4 | M16 | 4 |
| M20 | 2 | M25 | 1 |
| M32 | 1 | | |

Cable glands, top/bottom

| | | | |
|-----|---|-----|---|
| M12 | 6 | M16 | 6 |
| M20 | 3 | M25 | 2 |
| M32 | 1 | | |

Certificate numbers enclosure

| | | | |
|------------------------------------------|---------------------------------------------------------|----------------------------------------|--------------------------------------|
| Approval conditions | DNV, GL, RMRS, ATEX, EAC, IECEX, UL AEx Class Div., CCC | Attestation of Conformatiy No. (AoC) | DE PS2410 160308 001ISS01 |
| Certificate No. (ATEX) | IBEXU12ATEX1144U | Certificate No. (EAC) | C-DE.HB07.B.00089-20 |
| Certificate No. (IECEX) | IECEXIBE13.0002X | Certificate No. (MARITREG) | 19.00108.272 |
| Certificate no. Terminal Box (ATEX) | IBExU12ATEX1145 X | Certificate no. Terminal Box (EAC) | C-DE.HB07.B.00089/20 Ex Terminal Box |
| Certificate no. Terminal Box (IECEX) | IECEX IBE 13.0002X | Certificate no. empty enclosure (ATEX) | IBExU12ATEX1144 U |
| Certificate no. empty enclosure (IECEX) | IECEX IBE 13.0001U | Certificate no., empty enclosure (EAC) | C-DE.HB07.B.00089/20 |
| Declaration of Conformatiy No. (DoC LVD) | DE_PS2410_160412_001ISS01 | | |

KLIPPON K41 EX

Weidmüller Interfaces GmbH & Co. KG

Postfach 3030

32760 Detmold

Tel. +49 5231 14-0

Fax. +49 5231 14-2083

info@weidmueller.com

www.weidmueller.com

Technical data

General information

| | | | |
|-----------------------------|-----------------------------------------------------------------------------------------------------------------------------------------|---------------------------------|---------------------------------------------------------|
| Access opening: height | 111 mm | Access opening: width | 113 mm |
| Areas of use | Explosive risk zone, Process industry, Transportation, Packaging industry, Marine engineering, Machine construction, Harbour facilities | Enclosure attachment | Holes 6 mm |
| Flange plate | No | Impact resistance | 7 J ATEX version |
| Integral fixing | Threaded holes M5 | Lid | Yes |
| Lid attachment | M6 torx stainless steel screws with slot | Material | Aluminium AISi12 |
| Material thickness of cover | 4 mm | Material thickness of enclosure | 4,5 mm |
| Number of lid screws | 4 | Operating temperature, max. | 135 °C |
| Operating temperature, min. | -60 °C | Protection degree | IP66, IP67 |
| Seal material | Silicone | Standards | IEC 60079-0, IEC 60079-7, IEC 60079-31, EN 45545-2:2013 |
| Surface finish | untreated | Torque for lid screws | 2.5 Nm |

horizontal assembly

| | | | |
|-----------------|------|-----------------------------|------|
| WDU 10 / ZDU 10 | 1x6 | WDU 2,5 / ZDU 2,5 / IDU 2,5 | 1x13 |
| WDU 4 / ZDU 4 | 1x11 | WDU 6 / ZDU 6 | 1x8 |

vertical assembly

| | | | |
|-----------------------------|---|---------------|---|
| WDU 2,5 / ZDU 2,5 / IDU 2,5 | * | WDU 4 / ZDU 4 | * |
|-----------------------------|---|---------------|---|

Classifications

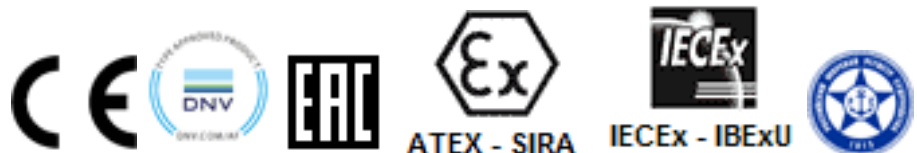
| | | | |
|-------------|-------------|-------------|-------------|
| ETIM 6.0 | EC002503 | ETIM 7.0 | EC002503 |
| ETIM 8.0 | EC002503 | ECLASS 9.0 | 27-18-05-02 |
| ECLASS 9.1 | 27-18-05-02 | ECLASS 10.0 | 27-18-05-02 |
| ECLASS 11.0 | 27-18-05-02 | ECLASS 12.0 | 27-18-05-02 |

Environmental Product Compliance

| | |
|------------|--------------------------------------|
| REACH SVHC | Lead 7439-92-1 |
| SCIP | 9e4cab4e-239c-4e14-b9df-a0fee300d28a |

Approvals

Approvals



| | |
|------|---------|
| ROHS | Conform |
|------|---------|

KLIPPON K41 EX

Weidmüller Interfaces GmbH & Co. KG

Postfach 3030

32760 Detmold

Tel. +49 5231 14-0

Fax. +49 5231 14-2083

info@weidmueller.com

www.weidmueller.com

Technical data

Downloads

| | |
|---------------------------------------------|--------------------------------------------------------------------------------------------------------------------------------------------------------------------------------------------------------------------------------------------------------------------------------------------------------------------------------------------------------------------------------------------------------------------------------------------------------------------------------------------------------------------------------------------------------------------------------------------------------------------------------------------------------------------------------------------------------------------------------------------------------------------------------------------------------------------------------|
| Approval/Certificate/Document of Conformity | C-DE.HB07.B.00089-Empty Enclosures and Ex. Terminal Box CCC 2020322303000040 Klippon K Assembly Enclosure UKCA TÜV 22 UKEX 7094 U UKCA TÜV 22 UKEX 7095 X Attestation of Conformity - Klippon K Empty Enclosures - AoC DE PS2410 160308 001ISS03 RUC-DE.BE02.B.00173 IBEXU12ATEX1145X IECEXIBE13.0001U IECEXIBE13.0002X TAE00002SM 19.00108.272 IBEXU12ATEX1144U EU Declaration of Conformity - Klippon K Empty Enclosures - DoC DE PS2410 160412 001ISS02 DoM Klippon K salt water resistance DoM Klippon K EN 45545-2 2013 Railway |
| Engineering Data | CAD data – STEP |
| Engineering Data | WSCAD |
| Product Change Notification | Technical change to Klippon K® enclosure series Technische Änderung für Klippon® K Gehäuse |
| Tender specification | Klippon K41 Ex_9526920000_DE Klippon K41 Ex_9526920000_EN |
| User Documentation | Assembly guidelines - empty enclosures |
| Catalogues | Catalogues in PDF-format |
| Brochures | MB OVERV. PROCESS WD DE MB KLIPPON ENCL.TECN EN MB PROCESS EN FL RAILWAY 2014 EN FL RAILWAY 2014 EN |

KLIPPON K41 EX

Weidmüller Interfaces GmbH & Co. KG

Postfach 3030

32760 Detmold

Tel. +49 5231 14-0

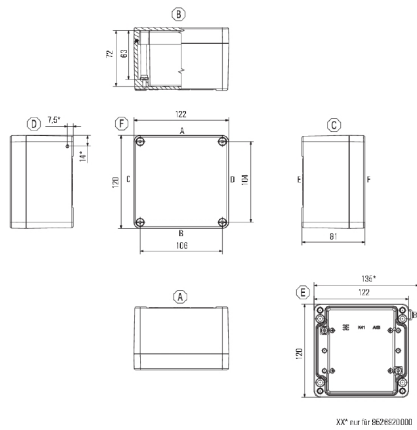
Fax. +49 5231 14-2083

info@weidmueller.com

www.weidmueller.com

Drawings

Dimensioned drawing



KLIPPON K41 EX

Weidmüller Interfaces GmbH & Co. KG

Postfach 3030

32760 Detmold

Tel. +49 5231 14-0

Fax. +49 5231 14-2083

info@weidmueller.com

Accessories

Klippon® K - Mounting plates



The system accessories for the Klippon® K enclosure series allows you to easily adapt the enclosures to meet the specific requirements of every application.

- DIN Rails TS 35 and TS 15
- Mounting plates
- Hinges
- Wall-mounted holder

General ordering data

| | | |
|------------|----------------------------|--------------------------------------------------------------------|
| Type | MOPL K41 STAHL | Version |
| Order No. | 3073070000 | Klippon K (aluminium empty enclosure), Mounting plate, Mounting |
| GTIN (EAN) | 4008190858001 | plate, Height: 104 mm, Width: 109 mm, Depth: 2 mm, Material: Sheet |
| Qty. | 1 pc(s). | steel, galvanized, galvanized, silver |

Depth 7.5 mm



The system accessories for the Klippon® K enclosure series allows you to easily adapt the enclosures to meet the specific requirements of every application.

- DIN Rails TS 35 and TS 15
- Mounting plates
- Hinges
- Wall-mounted holder

General ordering data

| | | |
|------------|-----------------------------|------------------------------------------------------------------------|
| Type | TS35 105 KLIPPON K41/PO ... | Version |
| Order No. | 1910070000 | Rail, TS 35, TS 35 x 7.5, Width: 105 mm, without slot, Steel, |
| GTIN (EAN) | 4032248536986 | galvanized, chromium-plated |
| Qty. | 1 pc(s). | |
| Type | TS35X7.5 ST K41 | Version |
| Order No. | 8000003439 | Rail, TS 35, TS 35 x 7.5, Width: 105 mm, without slot, Steel, galvanic |
| GTIN (EAN) | 4050118652628 | zinc plated and passivated |
| Qty. | 20 pc(s). | |

KLIPPON K41 EX

Weidmüller Interfaces GmbH & Co. KG

Postfach 3030

32760 Detmold

Tel. +49 5231 14-0

Fax. +49 5231 14-2083

info@weidmueller.com

Accessories

TS 15



The system accessories for the Klippon® K enclosure series allows you to easily adapt the enclosures to meet the specific requirements of every application.

- DIN Rails TS 35 and TS 15
- Mounting plates
- Hinges
- Wall-mounted holder

General ordering data

| | | |
|------------|----------------------------|-----------------------------------------------------------------------------------|
| Type | TS15X5 ST K41 | Version |
| Order No. | 8898030000 | Rail, TS 15, Width: 106 mm, with slot, Steel, galvanic zinc plated and passivated |
| GTIN (EAN) | 4032248648788 | |
| Qty. | 20 pc(s). | |

Depth 15 mm



The system accessories for the Klippon® K enclosure series allows you to easily adapt the enclosures to meet the specific requirements of every application.

- DIN Rails TS 35 and TS 15
- Mounting plates
- Hinges
- Wall-mounted holder

General ordering data

| | | |
|------------|----------------------------|-----------------------------------------------------------------------------------------------|
| Type | TS35X15 ST K41 | Version |
| Order No. | 8000073091 | Rail, TS 35, TS 35 x 15, Width: 105 mm, with slot, Steel, galvanic zinc plated and passivated |
| GTIN (EAN) | 4064675337027 | |
| Qty. | 20 pc(s). | |

KLIPPON K41 EX

Weidmüller Interfaces GmbH & Co. KG

Postfach 3030

32760 Detmold

Tel. +49 5231 14-0

Fax. +49 5231 14-2083

info@weidmueller.com

Accessories

Klippon® K - Hinge



The system accessories for the Klippon® K enclosure series allows you to easily adapt the enclosures to meet the specific requirements of every application.

- DIN Rails TS 35 and TS 15
- Mounting plates
- Hinges
- Wall-mounted holder

General ordering data

| | | |
|------------|----------------------------|-----------------------------------------------------------------|
| Type | HG K+POK | Version |
| Order No. | 1580360000 | Klippon POK (polyester empty enclosure), External joint, Hinge, |
| GTIN (EAN) | 4008190203542 | Material: Aluminium AISi12, silver |
| Qty. | 1 pc(s). | |

Screws



Depending on the terminal block or also accessories, we offer different types of screws as additional items or also spare parts.

General ordering data

| | | |
|------------|----------------------------|---------------------------------------------------------|
| Type | FKSC M5X8 D9/SW2.5 | Version |
| Order No. | 0295900000 | SAK Series, Allen hex screw, Screws, Number of poles: 1 |
| GTIN (EAN) | 4008190133337 | |
| Qty. | 50 pc(s). | |

KLIPPON K41 EX

Weidmüller Interfaces GmbH & Co. KG

Postfach 3030

32760 Detmold

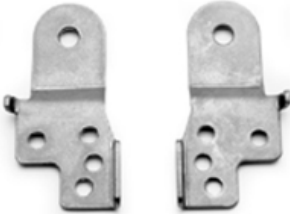
Tel. +49 5231 14-0

Fax. +49 5231 14-2083

info@weidmueller.com

Accessories

Klippon® K - Wall-mounted holder



The system accessories for the Klippon® K enclosure series allows you to easily adapt the enclosures to meet the specific requirements of every application.

- DIN Rails TS 35 and TS15
- Mounting plates
- Hinges
- Wall-mounted holder

General ordering data

| Type | KLIPPON K MF KIT 25 | Version |
|------------|----------------------------|--------------------------------------------------------------------|
| Order No. | 9527590000 | Klippon K (aluminium empty enclosure), Mounting foot, Fixing lugs, |
| GTIN (EAN) | 4032248014071 | Height: 70 mm, Width: 33.5 mm, Depth: 12 mm, Material: Stainless |
| Qty. | 1 pc(s). | steel 1.4301, silver |

Installation material



Integrate, expand and customise - the perfect supplement to every application

The fully structured range of system accessories for the new Klippon® TB enclosure series allows you to easily adapt the enclosures to meet the specific requirements of every application.

Mounting hardware kits

Mounting hardware kits are available for quick and easy installation of type label holders, document holders and rain hoods.

The **label fastening set – SD** is required to install a plastic (Trafolyte) ID or type label. With the aid of this set can you mount the ID or type label directly on the enclosure cover. The label fastening set has been specially developed for this purpose. Only by using this fastening set can you ensure that there will be no leaks into the enclosure or damage to the label.

The **universal fastening set – TPSD** has been developed to enable secure and quick installation of type label holders, rain covers or document holders, for example. By using this fastening set, the risk of leaks can be minimised, if not avoided.

General ordering data

| Type | TPSD FIXING SET KTB | Version |
|------------|----------------------------|------------------------------------------------------------------------|
| Order No. | 1252190000 | Klippon TB (Terminal Box), Type plate fixings set, Material: Stainless |
| GTIN (EAN) | 4050118043969 | steel, rust-proof, untreated, silver |
| Qty. | 1 pc(s). | |
| Type | SD FIXING SET | Version |
| Order No. | 1285200000 | Klippon TB (Terminal Box), Identification plate fixing set, Height: 12 |
| GTIN (EAN) | 4050118075472 | mm, Width: 12 mm, Depth: 16.4 mm, Material: Stainless steel, rust- |
| Qty. | 1 pc(s). | proof, untreated, silver |