

## KLIPPON K52 EX

Weidmüller Interfaces GmbH & Co. KG

Postfach 3030

32760 Detmold

Tel. +49 5231 14-0

Fax. +49 5231 14-2083

info@weidmueller.com

www.weidmueller.com

### Similar to illustration



The aluminium Klippon® K enclosures are suitable for use in an extremely wide range of different areas. Various components can be installed inside the enclosures, and will benefit in particular from the high temperature resistance, the excellent IP protection and the good impact resistance.

No matter what kind of application the customer is planning, Weidmüller is able to provide a wide range of aluminium enclosures precisely fitting the customer's requirements.

Klippon® K enclosures for hazardous areas are available on request.

Our extensive product range offers the following advantages:

- Available in two surface finishes: natural and powder-coated (RAL 7001)
- With chloroprene moulded seal as standard (silicone moulded seal optionally available)
- Standardised closure system with Torx slotted screw head for 19 enclosure sizes
- Mounting holes outside of the gasket area
- High IP protection classes: IP66, IP67 and IP68 according to DIN EN 60529
- Impact resistance of up to 7 (10) Joules
- The enclosures are approved according ATEX, IECEx, EAC, cULus, Russian Maritime Register and DNV GL as well as the empty enclosure standard.

- Suitable for railway applications according to EN 45545-2:2013
- Alloy is resistant to salt water
- Standardised distributor enclosures with threaded holes and a variety of terminal configurations

### General ordering data

Version	Klippon K (aluminium empty enclosure), Empty enclosure, Aluminium enclosure, Height: 160 mm, Width: 160 mm, Depth: 91 mm, Material: Aluminium AISi12, untreated, silver
Order No.	<a href="#">9526950000</a>
Type	KLIPPON K52 EX
GTIN (EAN)	4008190338862
Qty.	1 pc(s).

## KLIPPON K52 EX

Weidmüller Interfaces GmbH &amp; Co. KG

Postfach 3030

32760 Detmold

Tel. +49 5231 14-0

Fax. +49 5231 14-2083

info@weidmueller.com

www.weidmueller.com

## Technical data

## Dimensions and weights

Depth	91 mm	Depth (inches)	3.583 inch
Height	160 mm	Height (inches)	6.299 inch
Width	160 mm	Width (inches)	6.299 inch
Mounting dimension - height	110 mm	Mounting dimension - width	140 mm
Net weight	1,699 g		

## Temperatures

Operating temperature	-60 °C...135 °C	Operating temperature, min.	-60 °C
Operating temperature, max.	135 °C		

## Cable glands, left

M12	8	M16	5
M20	3	M25	2
M32	1		

## Cable glands, right

M12	8	M16	5
M20	3	M25	2
M32	1		

## Cable glands, top/bottom

M12	14	M16	8
M20	5	M25	3
M32	2	M40	1

## Certificate numbers enclosure

Approval conditions	DNV, GL, RMRS, ATEX, EAC, IECEX, UL AEx Class Div., CCC	Attestation of Conformatiy No. (AoC)	DE PS24 10 160308 001ISS01
Certificate No. (ATEX)	IBEXU12ATEX1144U	Certificate No. (EAC)	C-DE.HB07.B.00089-20
Certificate No. (IECEX)	IECEXIBE13.0002X	Certificate No. (MARITREG)	19.00108.272
Certificate no. Terminal Box (ATEX)	IBExU12ATEX1145 X	Certificate no. Terminal Box (EAC)	C-DE.HB07.B.00089/20 Ex Terminal Box
Certificate no. Terminal Box (IECEX)	IECEX IBE 13.0002X	Certificate no. empty enclosure (ATEX)	IBExU12ATEX1144 U
Certificate no. empty enclosure (IECEX)	IECEX IBE 13.0001U	Certificate no., empty enclosure (EAC)	C-DE.HB07.B.00089/20
Declaration of Conformatiy No. (DoC LVD)	DE_PS2410_160412_001ISS01		

## KLIPPON K52 EX

Weidmüller Interfaces GmbH &amp; Co. KG

Postfach 3030

32760 Detmold

Tel. +49 5231 14-0

Fax. +49 5231 14-2083

info@weidmueller.com

www.weidmueller.com

## Technical data

## General information

Access opening: height	151 mm	Access opening: width	151 mm
Areas of use	Explosive risk zone, Process industry, Transportation, Packaging industry, Marine engineering, Machine construction, Harbour facilities	Enclosure attachment	Holes 6 mm
Flange plate	No	Impact resistance	7 J ATEX version
Integral fixing	Threaded holes M5	Lid	Yes
Lid attachment	M6 torx stainless steel screws with slot	Material	Aluminium AISi12
Material thickness of cover	4 mm	Material thickness of enclosure	4,5 mm
Number of lid screws	4	Operating temperature, max.	135 °C
Operating temperature, min.	-60 °C	Protection degree	IP66, IP67
Seal material	Silicone	Standards	IEC 60079-0, IEC 60079-7, IEC 60079-31, EN 45545-2:2013
Surface finish	untreated	Torque for lid screws	2.5 Nm

## horizontal assembly

WDU 10 / ZDU 10	1x8	WDU 16 / ZDU 16	1x6
WDU 2,5 / ZDU 2,5 / IDU 2,5	1x16	WDU 4 / ZDU 4	1x13
WDU 6 / ZDU 6	1x10		

## vertical assembly

WDU 2,5 / ZDU 2,5 / IDU 2,5	*	WDU 4 / ZDU 4	*
-----------------------------	---	---------------	---

## Classifications

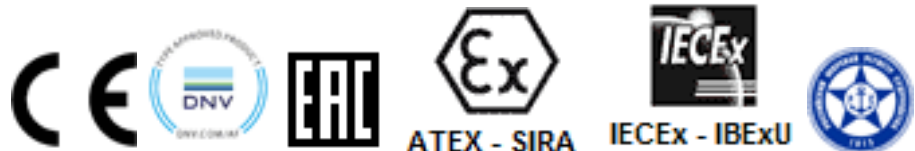
ETIM 6.0	EC002503	ETIM 7.0	EC002503
ETIM 8.0	EC002503	ECLASS 9.0	27-18-05-02
ECLASS 9.1	27-18-05-02	ECLASS 10.0	27-18-05-02
ECLASS 11.0	27-18-05-02	ECLASS 12.0	27-18-05-02

## Environmental Product Compliance

REACH SVHC	Lead 7439-92-1
SCIP	9e4cab4e-239c-4e14-b9df-a0fee300d28a

## Approvals

Approvals



ROHS Conform

## KLIPPON K52 EX

**Weidmüller Interfaces GmbH & Co. KG**

Postfach 3030

32760 Detmold

Tel. +49 5231 14-0

Fax. +49 5231 14-2083

# Technical data

[info@weidmueller.com](mailto:info@weidmueller.com)

[www.weidmueller.com](http://www.weidmueller.com)

Approval/Certificate/Document of Conformity	<a href="#">C-DE.HB07.B.00089-Empty Enclosures and Ex. Terminal Box</a> <a href="#">CCC 2020322303000040 Klippon K Assembly Enclosure</a> <a href="#">UKCA TÜV 22 UKEX 7094 U</a> <a href="#">UKCA TÜV 22 UKEX 7095 X</a> <a href="#">Attestation of Conformity - Klippon K Empty Enclosures - AoC DE PS2410 160308 001ISS03</a> <a href="#">RUC-DE.BE02.B.00173</a> <a href="#">IBEXU12ATEX1145X</a> <a href="#">IECEXIBE13.0001U</a> <a href="#">IECEXIBE13.0002X</a> <a href="#">TAE00002SM</a> <a href="#">19.00108.272</a> <a href="#">IBEXU12ATEX1144U</a> <a href="#">EU Declaration of Conformity - Klippon K Empty Enclosures - DoC DE PS2410 160412 001ISS02</a> <a href="#">DoM Klippon K salt water resistance</a> <a href="#">DoM Klippon K EN 45545-2 2013 Railway</a>
Engineering Data	<a href="#">CAD data – STEP</a>
Engineering Data	<a href="#">WSCAD</a>
Product Change Notification	<a href="#">Technical change to Klippon K® enclosure series</a> <a href="#">Technische Änderung für Klippon® K Gehäuse</a>
Tender specification	<a href="#">Klippon K52 Ex_9526950000_DE</a> <a href="#">Klippon K52 Ex_9526950000_EN</a>
User Documentation	<a href="#">Assembly guidelines - empty enclosures</a>
Catalogues	<a href="#">Catalogues in PDF-format</a>
Brochures	<a href="#">MB OVERV. PROCESS WD DE</a> <a href="#">MB KLIPPON ENCL.TECN EN</a> <a href="#">MB PROCESS EN</a> <a href="#">FL RAILWAY 2014 EN</a> <a href="#">FL RAILWAY 2014 EN</a>

**KLIPPON K52 EX**

**Weidmüller Interfaces GmbH & Co. KG**

Postfach 3030

32760 Detmold

Tel. +49 5231 14-0

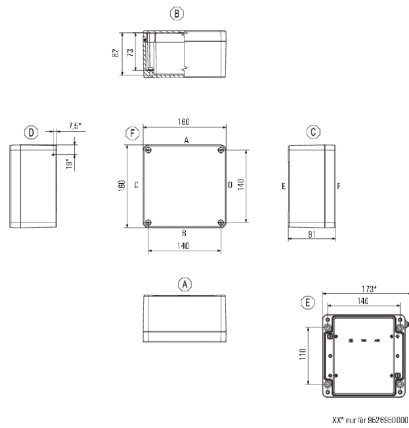
Fax. +49 5231 14-2083

info@weidmueller.com

www.weidmueller.com

**Drawings**

**Dimensioned drawing**



**KLIPPON K52 EX**

**Weidmüller Interfaces GmbH & Co. KG**

Postfach 3030

32760 Detmold

Tel. +49 5231 14-0

Fax. +49 5231 14-2083

info@weidmueller.com

**Accessories**

**Klippon® K - Mounting plates**



The system accessories for the Klippon® K enclosure series allows you to easily adapt the enclosures to meet the specific requirements of every application.

- DIN Rails TS 35 and TS 15
- Mounting plates
- Hinges
- Wall-mounted holder

**General ordering data**

Type	MOPL K52 STAHL	Version
Order No.	<a href="#">3073100000</a>	Klippon K (aluminium empty enclosure), Mounting plate, Mounting
GTIN (EAN)	4008190858032	plate, Height: 146 mm, Width: 145 mm, Depth: 2 mm, Material: Sheet
Qty.	1 pc(s).	steel, galvanized, galvanized, silver

**Depth 7.5 mm**



The system accessories for the Klippon® K enclosure series allows you to easily adapt the enclosures to meet the specific requirements of every application.

- DIN Rails TS 35 and TS 15
- Mounting plates
- Hinges
- Wall-mounted holder

**General ordering data**

Type	TS35X7.5 ST K52	Version
Order No.	<a href="#">8000003908</a>	Rail, TS 35, TS 35 x 7.5, Width: 140 mm, without slot, Steel, galvanic
GTIN (EAN)	4050118652659	zinc plated and passivated
Qty.	20 pc(s).	

**KLIPPON K52 EX**

**Weidmüller Interfaces GmbH & Co. KG**

Postfach 3030

32760 Detmold

Tel. +49 5231 14-0

Fax. +49 5231 14-2083

info@weidmueller.com

**Accessories**

**Depth 15 mm**



The system accessories for the Klippon® K enclosure series allows you to easily adapt the enclosures to meet the specific requirements of every application.

- DIN Rails TS 35 and TS 15
- Mounting plates
- Hinges
- Wall-mounted holder

**General ordering data**

Type	TS35X15 ST K52	Version	
Order No.	<a href="#">8000073095</a>	Rail, TS 35, TS 35 x 15, Width: 140 mm, with slot, Steel, galvanic zinc plated and passivated	
GTIN (EAN)	4064675337065		
Qty.	20 pc(s).		

**Klippon® K - Hinge**



The system accessories for the Klippon® K enclosure series allows you to easily adapt the enclosures to meet the specific requirements of every application.

- DIN Rails TS 35 and TS 15
- Mounting plates
- Hinges
- Wall-mounted holder

**General ordering data**

Type	HG K+POK	Version	
Order No.	<a href="#">1580360000</a>	Klippon POK (polyester empty enclosure), External joint, Hinge,	
GTIN (EAN)	4008190203542	Material: Aluminium AISi12, silver	
Qty.	1 pc(s).		

**KLIPPON K52 EX**
**Weidmüller Interfaces GmbH & Co. KG**

Postfach 3030

32760 Detmold

Tel. +49 5231 14-0

Fax. +49 5231 14-2083

[info@weidmueller.com](mailto:info@weidmueller.com)
**Accessories**
**Depth 7.5 mm**


The Klippon® POK enclosure is made from a high-quality glass fibre reinforced polyester and is ideal for applications and environments where corrosion resistance, impact resistance and a high IP protection class are a requirement.

Key features of the extensive product range:

- Available in 17 sizes
- Two standard finishes (colours): grey (similar to RAL 7001 for industrial use) and black (similar to RAL 9011 for harsh environments, Ex)
- Cover with stainless steel screws in cross-head / slotted design
- Moulded gasket made of silicone or chloroprene
- Fixing holes outside the sealed area to ensure high ingress protection of IP66
- Impact resistance up to 7 Joules
- Mounting directly in the enclosure or using an internal mounting plate
- Direct wall mounting possible using fixing holes or mounting feet
- Fastening thread to attach mounting rails and plates
- Up to E60 fire rating dependent on the configuration
- Weidmüller can manufacture and supply this enclosure to match customer specifications - fitted with all necessary terminals and cable glands.

**General ordering data**

Type	TS35/140 KLIPPON K52 PO ...	Version
Order No.	<a href="#">1910100000</a>	Rail, TS 35, TS 35 x 7.5, Width: 140 mm, without slot, Steel,
GTIN (EAN)	4032248537013	galvanized, chromium-plated
Qty.	1 pc(s).	

**Screws**


Depending on the terminal block or also accessories, we offer different types of screws as additional items or also spare parts.

**General ordering data**

Type	FKSC M5X8 D9/SW2.5	Version
Order No.	<a href="#">0295900000</a>	SAK Series, Allen hex screw, Screws, Number of poles: 1
GTIN (EAN)	4008190133337	
Qty.	50 pc(s).	

## KLIPPON K52 EX

Weidmüller Interfaces GmbH & Co. KG

Postfach 3030

32760 Detmold

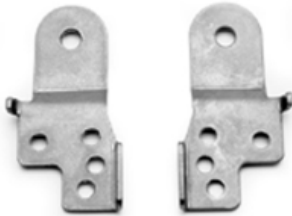
Tel. +49 5231 14-0

Fax. +49 5231 14-2083

info@weidmueller.com

## Accessories

### Klippon® K - Wall-mounted holder



The system accessories for the Klippon® K enclosure series allows you to easily adapt the enclosures to meet the specific requirements of every application.

- DIN Rails TS 35 and TS15
- Mounting plates
- Hinges
- Wall-mounted holder

### General ordering data

Type	KLIPPON K MF KIT 25	Version
Order No.	<a href="#">9527590000</a>	Klippon K (aluminium empty enclosure), Mounting foot, Fixing lugs,
GTIN (EAN)	4032248014071	Height: 70 mm, Width: 33.5 mm, Depth: 12 mm, Material: Stainless
Qty.	1 pc(s).	steel 1.4301, silver

### Installation material



### Integrate, expand and customise - the perfect supplement to every application

The fully structured range of system accessories for the new Klippon® TB enclosure series allows you to easily adapt the enclosures to meet the specific requirements of every application.

#### Mounting hardware kits

Mounting hardware kits are available for quick and easy installation of type label holders, document holders and rain hoods.

The **label fastening set – SD** is required to install a plastic (Trafolyte) ID or type label. With the aid of this set can you mount the ID or type label directly on the enclosure cover. The label fastening set has been specially developed for this purpose. Only by using this fastening set can you ensure that there will be no leaks into the enclosure or damage to the label.

The **universal fastening set – TPSD** has been developed to enable secure and quick installation of type label holders, rain covers or document holders, for example. By using this fastening set, the risk of leaks can be minimised, if not avoided.

### General ordering data

Type	TPSD FIXING SET KTB	Version
Order No.	<a href="#">1252190000</a>	Klippon TB (Terminal Box), Type plate fixings set, Material: Stainless
GTIN (EAN)	4050118043969	steel, rust-proof, untreated, silver
Qty.	1 pc(s).	
Type	SD FIXING SET	Version
Order No.	<a href="#">1285200000</a>	Klippon TB (Terminal Box), Identification plate fixing set, Height: 12
GTIN (EAN)	4050118075472	mm, Width: 12 mm, Depth: 16.4 mm, Material: Stainless steel, rust-
Qty.	1 pc(s).	proof, untreated, silver