



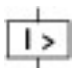
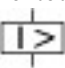
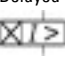


Circuit-breaker, 4p, 630A, withdrawable unit

Part no. **NZMN3-4-VE630-T-AVE**  
 Catalog No. **119903**

Similar to illustration

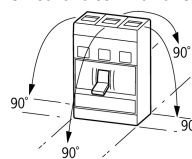
## Delivery program

|  |                             |    |  |   |
|--|-----------------------------|----|--|---|
| Product range  |                             |    |  | Circuit-breaker   |
| Protective function  |                             |    |  | Systems, cable, selectivity and generator protection<br>Earth-fault protection  |
| Standard/Approval  |                             |    |  | IEC   |
| Installation type  |                             |    |  | Withdrawable  |
| Release system   |                             |    |  | Electronic release  |
| Construction size  |                             |    |  | NZM3  |
| Description  |                             |    |  | R.m.s. value measurement and "thermal memory"<br>adjustable time delay setting to overcome current peaks $t_r$ : 2 – 14 s at 6 x $I_n$ also infinity (without overload releases)<br>Adjustable delay time $t_{sd}$ : Steps: 0, 20, 60, 100, 200, 300, 500, 750, 1000 ms<br>$i^2t$ constant function: switchable<br>Earth-fault release: Not dependent on mains and control voltages<br>$I_g = 0.35 - 0.4 - 0.5 - 0.6 - 0.7 - 0.8 - 0.9 - 1.0 \times I_n$<br>$t_g = 0 - 20 - 60 - 100 - 200 - 300 - 500 - 750 - 1000$ ms |
| Number of poles  |                             |    |  | 4 pole  |
| Standard equipment   |                             |    |  | Screw connection  |
| <b>Switching capacity</b>  |                             |    |  |   |
| 400/415 V 50 Hz  | $I_{cu}$                    | kA |  | 50  |
| <b>Rated current = rated uninterrupted current</b>   |                             |    |  |   |
| Rated current = rated uninterrupted current  | $I_n = I_u$                 | A  |  | 630   |
| Neutral conductor  | % of phase conductor        | %  |  | 100   |
| <b>Setting range</b>   |                             |    |  |   |
| Overload trip  |                             |    |  |   |
|                 | $I_r$                       | A  |  | 315 - 630   |
| Main pole<br>   | $I_r$                       | A  |  | 315 - 630   |
| Short-circuit releases   |                             |    |  |   |
|                 |                             |    |  |   |
| Non-delayed<br> | $I_i = I_n \times \dots$    |    |  | 2 - 8   |
| Delayed<br>     | $I_{sd} = I_r \times \dots$ |    |  | 1.5 - 7   |

## Technical data

### General

|                                   |  |    |  |  |
|-----------------------------------|--|----|--|--|
| Standards                         |  |    |  | IEC/EN 60947   |
| Protection against direct contact |  |    |  | Finger and back of hand proof to VDE 0106 Part 100                             |
| Climatic proofing                 |  |    |  | Damp heat, constant, to IEC 60068-2-78<br>Damp heat, cyclic, to IEC 60068-2-30 |
| Ambient temperature               |  |    |  |  |
| Ambient temperature, storage      |  | °C |  | - 40 - + 70  |

|   |      |   |
|---|------|---|
| Operation   | °C   | -25 - +70   |
| Mechanical shock resistance (10 ms half-sinusoidal shock) according to IEC 60068-2-27 | g    | 20 (half-sinusoidal shock 20 ms)  |
| Safe isolation to EN 61140  |      |   |
| Between auxiliary contacts and main contacts  | V AC | 500   |
| between the auxiliary contacts  | V AC | 300   |
| Weight  | kg   | 8.4   |
| Mounting position   |      | Vertical and 90° in all directions<br><br>With XFI earth-fault release:<br>- NZM1, N1, NZM2, N2: vertical and 90° in all directions<br>with plug-in unit<br>- NZM1, N1, NZM2, N2: vertical, 90° right/left<br>with withdrawable unit:<br>- NZM3, N3: vertical, 90° right/left<br>- NZM4, N4: vertical<br>with remote operator:<br>- NZM2, N(S)2, NZM3, N(S)3, NZM4, N(S)4: vertical and 90° in all directions |
| Direction of incoming supply  |      | as required   |
| Degree of protection  |      |   |
| Device  |      | In the operating controls area: IP20 (basic degree of protection)   |
| Enclosures  |      | With insulating surround: IP40<br>With door coupling rotary handle: IP66  |
| Terminations  |      | Tunnel terminal: IP10<br>Phase isolator and strip terminal: IP00  |
| Other technical data (sheet catalogue)  |      | Temperature dependency, Derating  |

### Circuit-breakers

|   |             |      |       |
|---|-------------|------|-------|
| Rated current = rated uninterrupted current | $I_n = I_u$ | A    | 630   |
| Rated surge voltage invariability           | $U_{imp}$   |      |       |
| Main contacts                               |             | V    | 8000  |
| Auxiliary contacts                          |             | V    | 6000  |
| Rated operational voltage                   | $U_e$       | V AC | 690   |
| Overvoltage category/pollution degree       |             |      | III/3 |
| Rated insulation voltage                    | $U_i$       | V    | 1000  |
| Use in unearthed supply systems             |             | V    | ≤ 690 |

### Switching capacity

|   |          |    |   |
|---|----------|----|---|
| Rated short-circuit making capacity             | $I_{cm}$ |    |   |
| 240 V   | $I_{cm}$ | kA | 187   |
| 400/415 V                                       | $I_{cm}$ | kA | 105   |
| 440 V 50/60 Hz                                  | $I_{cm}$ | kA | 74  |
| 525 V 50/60 Hz                                  | $I_{cm}$ | kA | 53  |
| 690 V 50/60 Hz                                  | $I_c$    | kA | 40  |
| Rated short-circuit breaking capacity $I_{cn}$  | $I_{cn}$ |    |   |
| $I_{cu}$ to IEC/EN 60947 test cycle O-t-CO      | $I_{cu}$ | kA |   |
| 240 V 50/60 Hz                                  | $I_{cu}$ | kA | 85  |
| 400/415 V 50/60 Hz                              | $I_{cu}$ | kA | 50  |
| 440 V 50/60 Hz                                  | $I_{cu}$ | kA | 35  |
| 525 V 50/60 Hz                                  | $I_{cu}$ | kA | 25  |
| 690 V 50/60 Hz                                  | $I_{cu}$ | kA | 20  |
| $I_{cs}$ to IEC/EN 60947 test cycle O-t-CO-t-CO | $I_{cs}$ | kA |   |
| 240 V 50/60 Hz                                  | $I_{cs}$ | kA | 85  |
| 400/415 V 50/60 Hz                              | $I_{cs}$ | kA | 50  |
| 440 V 50/60 Hz                                  | $I_{cs}$ | kA | 35  |
| 525 V 50/60 Hz                                  | $I_{cs}$ | kA | 13  |
| 690 V 50/60 Hz                                  | $I_{cs}$ | kA | 5   |
|   |          |    | Maximum back-up fuse, if the expected short-circuit currents at the installation location exceed the switching capacity of the circuit-breaker. |
| Rated short-time withstand current              |          |    |   |

|   |                 |       |       |
|---|-----------------|-------|-------|
| t = 0.3 s   | I <sub>cw</sub> | kA    | 3.3   |
| t = 1 s   | I <sub>cw</sub> | kA    | 3.3   |
| Utilization category to IEC/EN 60947-2                                      |                 |       | A     |
| Lifespan, mechanical(of which max. 50 % trip by shunt/undervoltage release) | Operations      |       | 15000 |
| Lifespan, electrical  |                 |       |       |
| AC-1  |                 |       |       |
| 400 V 50/60 Hz  | Operations      |       | 5000  |
| 415 V 50/60 Hz  | Operations      |       | 5000  |
| 690 V 50/60 Hz  | Operations      |       | 3000  |
| AC--3   |                 |       |       |
| 400 V 50/60 Hz  | Operations      |       | 2000  |
| 415 V 50/60 Hz  | Operations      |       | 2000  |
| 690 V 50/60 Hz  | Operations      |       | 2000  |
| Max. operating frequency  |                 | Ops/h | 60    |
| Total break time at short-circuit   |                 | ms    | < 10  |

### Terminal capacity

|   |      |                 |   |
|---|------|-----------------|---|
| Standard equipment  |      |                 | Screw connection  |
| Accessories required                                      |      |                 | NZM3-4-XAVS   |
| Optional accessories                                      |      |                 | Box terminal<br>Tunnel terminal<br>connection on rear   |
| Round copper conductor                                    |      |                 |   |
| Box terminal  |      |                 |   |
| Solid   |      | mm <sup>2</sup> | 2 x 16  |
| Stranded  |      | mm <sup>2</sup> | 1 x (35 - 240)<br>2 x (25-120)  |
| Tunnel terminal   |      |                 |   |
| Solid   |      | mm <sup>2</sup> | 1 x 16  |
| Stranded  |      |                 |   |
| 1-hole  |      | mm <sup>2</sup> | 1 x (16 - 185)  |
| Bolt terminal and rear-side connection                    |      |                 |   |
| Direct on the switch                                      |      |                 |   |
| Solid   |      | mm <sup>2</sup> | 1 x 16<br>2 x 16  |
| Stranded  |      | mm <sup>2</sup> | 1 x (25 - 240)<br>2 x (25 - 240)  |
| Connection width extension                                |      | mm <sup>2</sup> |   |
| Connection width extension                                |      | mm <sup>2</sup> | 2 x 300   |
| Al circular conductor                                     |      |                 |   |
| Tunnel terminal   |      |                 |   |
| Solid   |      | mm <sup>2</sup> | 1 x 16  |
| Stranded  |      |                 |   |
| Stranded  |      | mm <sup>2</sup> | 1 x (25 - 185) <sup>2)</sup>  |
| Double hole   |      | mm <sup>2</sup> | 1 x (50 - 240)<br>2 x (50 - 240)  |
|   |      |                 | <sup>2)</sup> Up to 240 mm <sup>2</sup> can be connected depending on the cable manufacturer. |
| Cu strip (number of segments x width x segment thickness) |      |                 |   |
| Box terminal  |      |                 |   |
|   | min. | mm              | 6 x 16 x 0.8  |
|   | max. | mm              | 10 x 24 x 1.0<br>+ 5 x 24 x 1.0<br>(2 x) 8 x 24 x 1.0   |
| Bolt terminal and rear-side connection                    |      |                 |   |
| Flat copper strip, with holes                             | min. | mm              | 6 x 16 x 0.8  |
| Flat copper strip, with holes                             | max. | mm              | 10 x 32 x 1.0 + 5 x 32 x 1.0  |
| Connection width extension                                |      | mm              | (2 x) 10 x 50 x 1.0   |
| Copper busbar (width x thickness)                         |      | mm              |   |

|  |      |                 |                                      |
|--|------|-----------------|--------------------------------------|
| Bolt terminal and rear-side connection |      |                 |                                      |
| Screw connection                       |      |                 | M10                                  |
| Direct on the switch                   |      |                 |                                      |
|  | min. | mm              | 20 x 5                               |
|  | max. | mm              | 30 x 10<br>+ 30 x 5                  |
| Connection width extension             |      | mm              |                                      |
| Connection width extension             | max. | mm              | 2 x (10 x 50)                        |
| Control cables                         |      |                 |                                      |
|  |      | mm <sup>2</sup> | 1 x (0.75 - 2.5)<br>2 x (0.75 - 1.5) |

## Design verification as per IEC/EN 61439

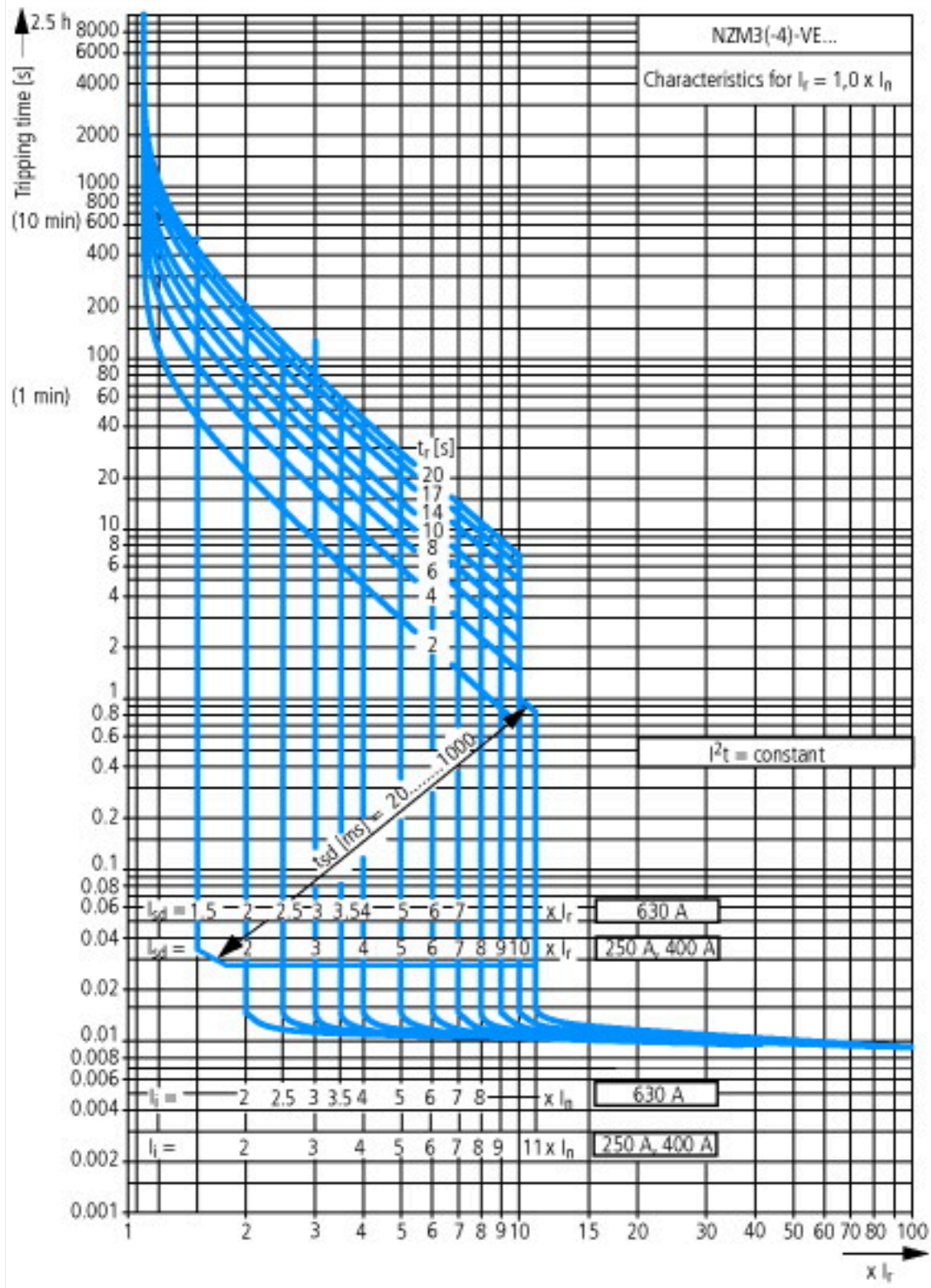
|  |                  |    |  |
|--|------------------|----|--|
| Technical data for design verification   |                  |    |  |
| Rated operational current for specified heat dissipation   | I <sub>n</sub>   | A  | 630  |
| Equipment heat dissipation, current-dependent  | P <sub>vid</sub> | W  | 178.61   |
| Operating ambient temperature min.   |                  | °C | -25  |
| Operating ambient temperature max.   |                  | °C | 70   |
| IEC/EN 61439 design verification   |                  |    |  |
| 10.2 Strength of materials and parts   |                  |    |  |
| 10.2.2 Corrosion resistance  |                  |    |  |
| 10.2.2.1 Verification of thermal stability of enclosures   |                  |    | Meets the product standard's requirements.   |
| 10.2.3.2 Verification of resistance of insulating materials to normal heat   |                  |    | Meets the product standard's requirements.   |
| 10.2.3.3 Verification of resistance of insulating materials to abnormal heat and fire due to internal electric effects |                  |    | Meets the product standard's requirements.   |
| 10.2.4 Resistance to ultra-violet (UV) radiation   |                  |    | Meets the product standard's requirements.   |
| 10.2.5 Lifting   |                  |    | Does not apply, since the entire switchgear needs to be evaluated.   |
| 10.2.6 Mechanical impact   |                  |    | Does not apply, since the entire switchgear needs to be evaluated.   |
| 10.2.7 Inscriptions  |                  |    | Meets the product standard's requirements.   |
| 10.3 Degree of protection of ASSEMBLIES  |                  |    | Does not apply, since the entire switchgear needs to be evaluated.   |
| 10.4 Clearances and creepage distances   |                  |    | Meets the product standard's requirements.   |
| 10.5 Protection against electric shock   |                  |    | Does not apply, since the entire switchgear needs to be evaluated.   |
| 10.6 Incorporation of switching devices and components   |                  |    | Does not apply, since the entire switchgear needs to be evaluated.   |
| 10.7 Internal electrical circuits and connections  |                  |    | Is the panel builder's responsibility.   |
| 10.8 Connections for external conductors   |                  |    | Is the panel builder's responsibility.   |
| 10.9 Insulation properties   |                  |    |  |
| 10.9.2 Power-frequency electric strength   |                  |    | Is the panel builder's responsibility.   |
| 10.9.3 Impulse withstand voltage   |                  |    | Is the panel builder's responsibility.   |
| 10.9.4 Testing of enclosures made of insulating material   |                  |    | Is the panel builder's responsibility.   |
| 10.10 Temperature rise   |                  |    | The panel builder is responsible for the temperature rise calculation. Eaton will provide heat dissipation data for the devices. |
| 10.11 Short-circuit rating   |                  |    | Is the panel builder's responsibility. The specifications for the switchgear must be observed.                                   |
| 10.12 Electromagnetic compatibility  |                  |    | Is the panel builder's responsibility. The specifications for the switchgear must be observed.                                   |
| 10.13 Mechanical function  |                  |    | The device meets the requirements, provided the information in the instruction leaflet (IL) is observed.                         |

## Technical data ETIM 7.0

|   |  |    |             |
|---|--|----|-------------|
| Low-voltage industrial components (EG000017) / Power circuit-breaker for trafo/generator/installation protection (EC000228)   |  |    |             |
| Electric engineering, automation, process control engineering / Low-voltage switch technology / Circuit breaker (LV < 1 kV) / Circuit breaker for power transformer, generator and system protection (ecl@ss10.0.1-27-37-04-09 [AJZ716013]) |  |    |             |
| Rated permanent current I <sub>u</sub>  |  | A  | 630         |
| Rated voltage   |  | V  | 690 - 690   |
| Rated short-circuit breaking capacity I <sub>cu</sub> at 400 V, 50 Hz   |  | kA | 50          |
| Overload release current setting  |  | A  | 315 - 630   |
| Adjustment range short-term delayed short-circuit release   |  | A  | 472 - 4410  |
| Adjustment range undelayed short-circuit release  |  | A  | 1260 - 5040 |

|   |  |  |   |
|---|--|--|---|
| Integrated earth fault protection                       |  |  | Yes   |
| Type of electrical connection of main circuit           |  |  | Screw connection                                  |
| Device construction                                     |  |  | Built-in device slide-in technique (withdrawable) |
| Suitable for DIN rail (top hat rail) mounting           |  |  | No  |
| DIN rail (top hat rail) mounting optional               |  |  | No  |
| Number of auxiliary contacts as normally closed contact |  |  | 0   |
| Number of auxiliary contacts as normally open contact   |  |  | 0   |
| Number of auxiliary contacts as change-over contact     |  |  | 0   |
| With switched-off indicator                             |  |  | No  |
| With under voltage release                              |  |  | No  |
| Number of poles   |  |  | 4   |
| Position of connection for main current circuit         |  |  | Front side  |
| Type of control element                                 |  |  | Rocker lever                                      |
| Complete device with protection unit                    |  |  | Yes   |
| Motor drive integrated                                  |  |  | No  |
| Motor drive optional                                    |  |  | Yes   |
| Degree of protection (IP)                               |  |  | IP20  |

# Characteristics





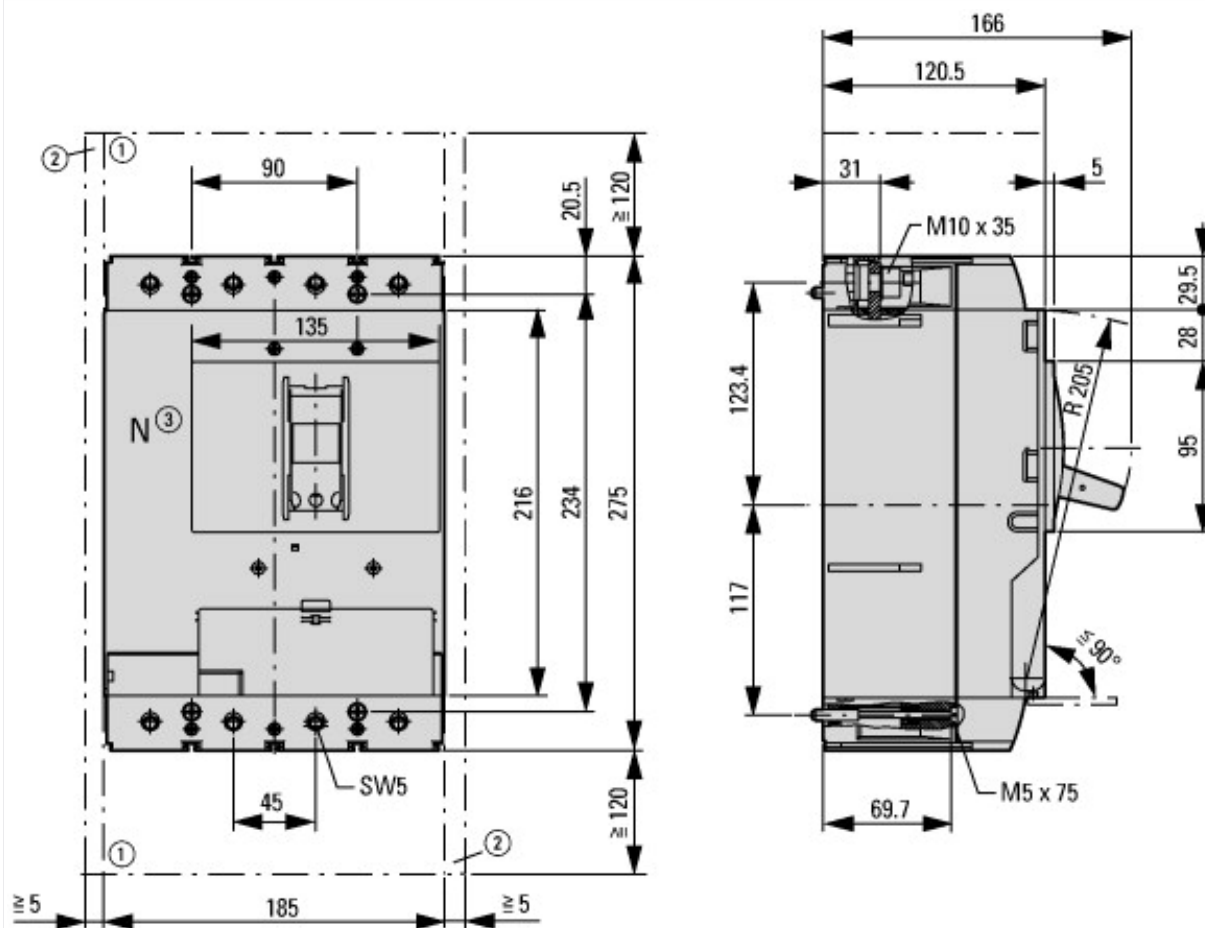
Let-through current



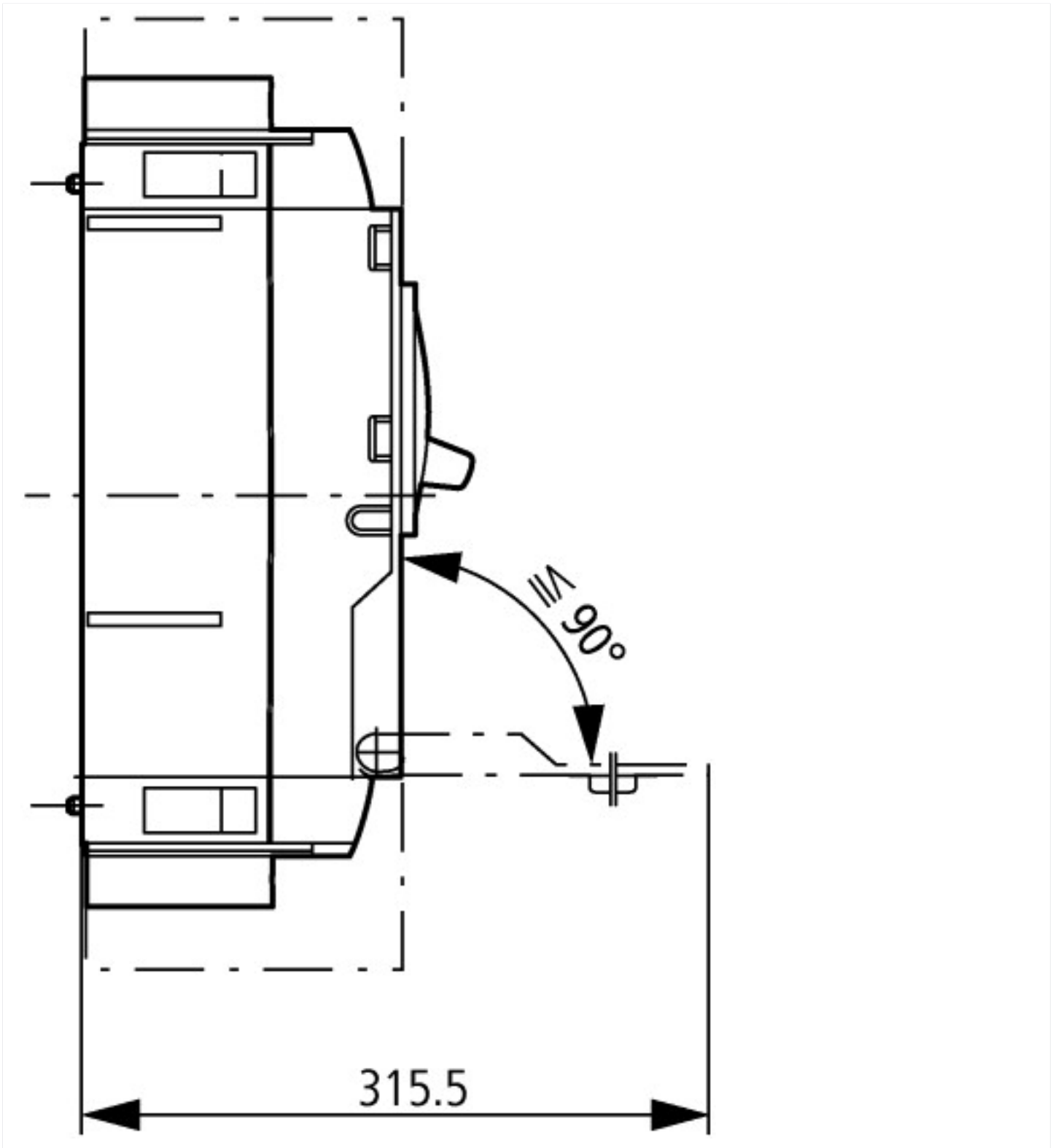


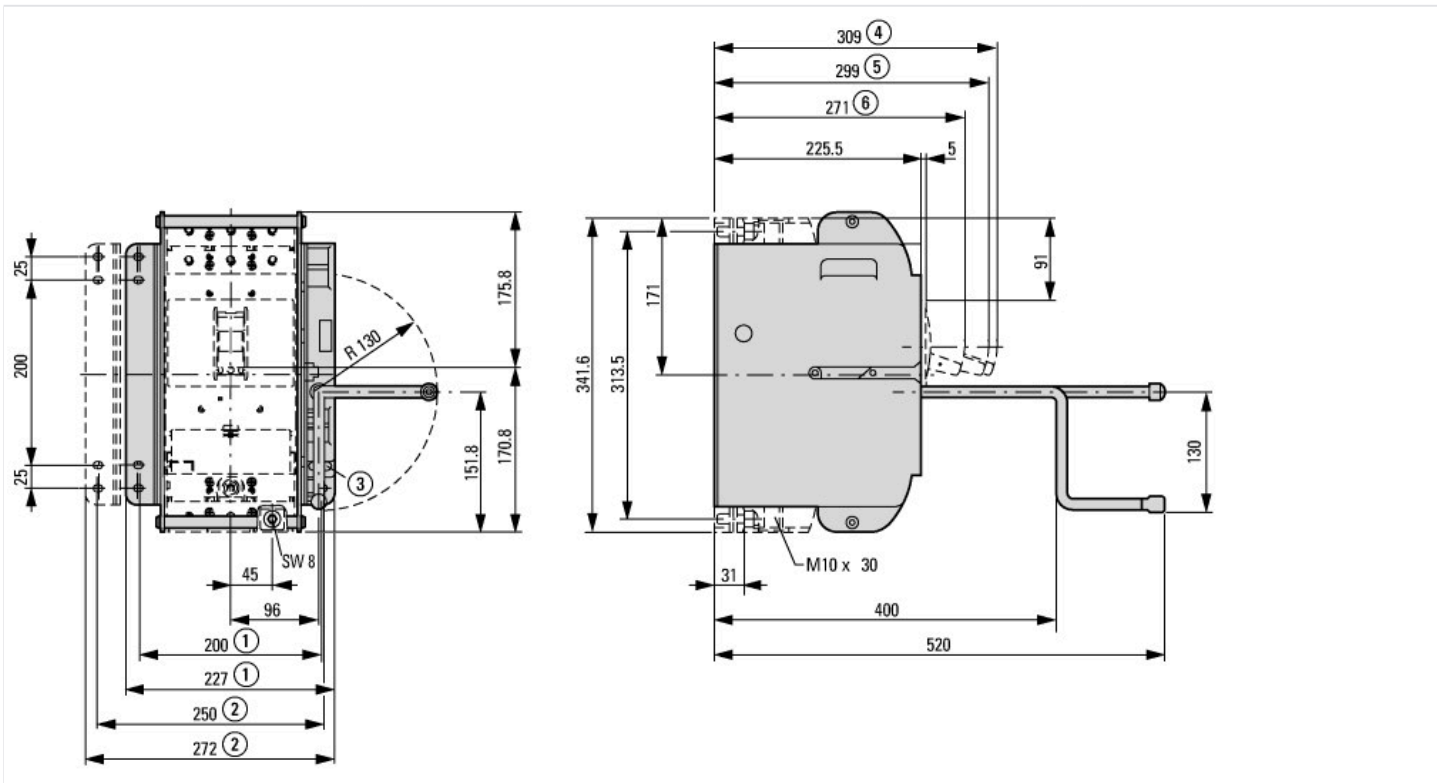


## Dimensions



- ① Blow out area, minimum clearance to adjacent parts
- ② Minimum clearance to adjacent parts





### Additional product information (links)

|   |   |
|---|---|
| Temperature dependency, Derating                      | <a href="http://ecat.moeller.net/flip-cat/?edition=HPLEN&amp;startpage=17.172">http://ecat.moeller.net/flip-cat/?edition=HPLEN&amp;startpage=17.172</a>   |
| CurveSelect characteristics program                   | <a href="http://www.eaton.eu/DE/Europe/Electrical/CustomerSupport/ConfigurationTools/CharacteristicsProgram/index.htm">http://www.eaton.eu/DE/Europe/Electrical/CustomerSupport/ConfigurationTools/CharacteristicsProgram/index.htm</a>         |
| Eaton configurator                                    | <a href="http://www.eaton.eu/DE/Europe/Electrical/CustomerSupport/ConfigurationTools/ConfiguratorCircuitBreaker/index.htm">http://www.eaton.eu/DE/Europe/Electrical/CustomerSupport/ConfigurationTools/ConfiguratorCircuitBreaker/index.htm</a> |
| additional technical information for NZM power switch | <a href="https://es-assets.eaton.com/DOCUMENTATION/PDF/nzm_technic_de_en.pdf">https://es-assets.eaton.com/DOCUMENTATION/PDF/nzm_technic_de_en.pdf</a>   |