



**Pushbutton, Flat, momentary, 1 NC, 1 N/O, Screw connection, red, Blank, Bezel: black**



**Part no. C22S-D-R-K11**  
**Catalog No. 121496**  
**Alternate Catalog No. C22S-D-R-K11**

**Delivery program**

|   |    |  |
|---|----|--|
| Product range   |    | RMQ Compact  |
| Basic function  |    | Pushbutton actuators                                       |
| Single unit/Complete unit   |    | Complete unit  |
| Design  |    | Flat   |
|   |    | momentary  |
| Connection type   |    | Screw connection   |
| <b>Button plate</b>   |    |  |
| button plate  |    | red  |
| Button plate  |    |  |
|   |    | Blank  |
| Name  |    | None   |
| Degree of Protection  |    | IP66, IP67, IP69   |
| Front ring  |    | Bezel: black   |
| Connection to SmartWire-DT  |    | no   |
| <b>Contacts</b>   |    |  |
| N/C = Normally closed   |    | 1 NC   |
| N/O = Normally open   |    | 1 N/O  |
| Notes   |    | = safety function, by positive opening to IEC/EN 60947-5-1 |
| <b>Actuator travel and actuation force as per DIN EN 60947-5-1, K.5.4.1</b> |    |  |
|   | mm | 4.65   |
| Maximum travel  | mm | 5.7  |
| Minimum force for positive opening  | N  | 20   |
| Contact sequence  |    |  |
| <b>Contact travel  = Contact closed  = Contact open</b>                     |    |  |
| Contact diagram   |    |  |
| Positive opening (ZW)   |    | yes  |

## Technical data

### General

|                                      |              |                   |  |
|--------------------------------------|--------------|-------------------|--|
| Standards                            |              |                   | IEC/EN 60947-5-1<br>VDE 0660   |
| Lifespan, mechanical                 | Operations   | x 10 <sup>6</sup> | > 5  |
| Operating frequency                  | Operations/h |                   | ≤ 3600   |
| Actuating force                      | n            |                   | ≤ 5  |
| Climatic proofing                    |              |                   | Damp heat, constant, to IEC 60068-2-78<br>Damp heat, cyclic, to IEC 60068-2-30 |
| Degree of Protection                 |              |                   | IP66, IP67, IP69   |
| Ambient temperature                  |              |                   |  |
| Open                                 |              | °C                | -25 - +70  |
| Storage                              |              | °C                | - -30 - + 80   |
| Mounting position                    |              |                   | As required  |
| Terminal capacities                  |              | mm <sup>2</sup>   |  |
| Solid                                |              | mm <sup>2</sup>   | 2 x 0.5 - 1.5_x  |
| Flexible with ferrule                |              | mm <sup>2</sup>   | 2 x 0.5 - 1.5_x  |
| Tightening torque for terminal screw |              | Nm                | 0.8  |

### Contacts

|   |                  |      |       |
|---|------------------|------|-------|
| Rated impulse withstand voltage         | U <sub>imp</sub> | V AC | 4000  |
| Rated insulation voltage                | U <sub>i</sub>   | V    | 250   |
| Rated conditional short-circuit current | I <sub>q</sub>   | kA   | 1     |
| Overvoltage category/pollution degree   |                  |      | III/3 |
| Max. short-circuit protective device    |                  |      |       |
| Fuse                                    | gG/gL            | A    | 10    |

## Design verification as per IEC/EN 61439

|  |  |    |     |
|--|--|----|-----|
| Technical data for design verification |  |    |     |
| Operating ambient temperature min.     |  | °C | -25 |
| Operating ambient temperature max.     |  | °C | 70  |

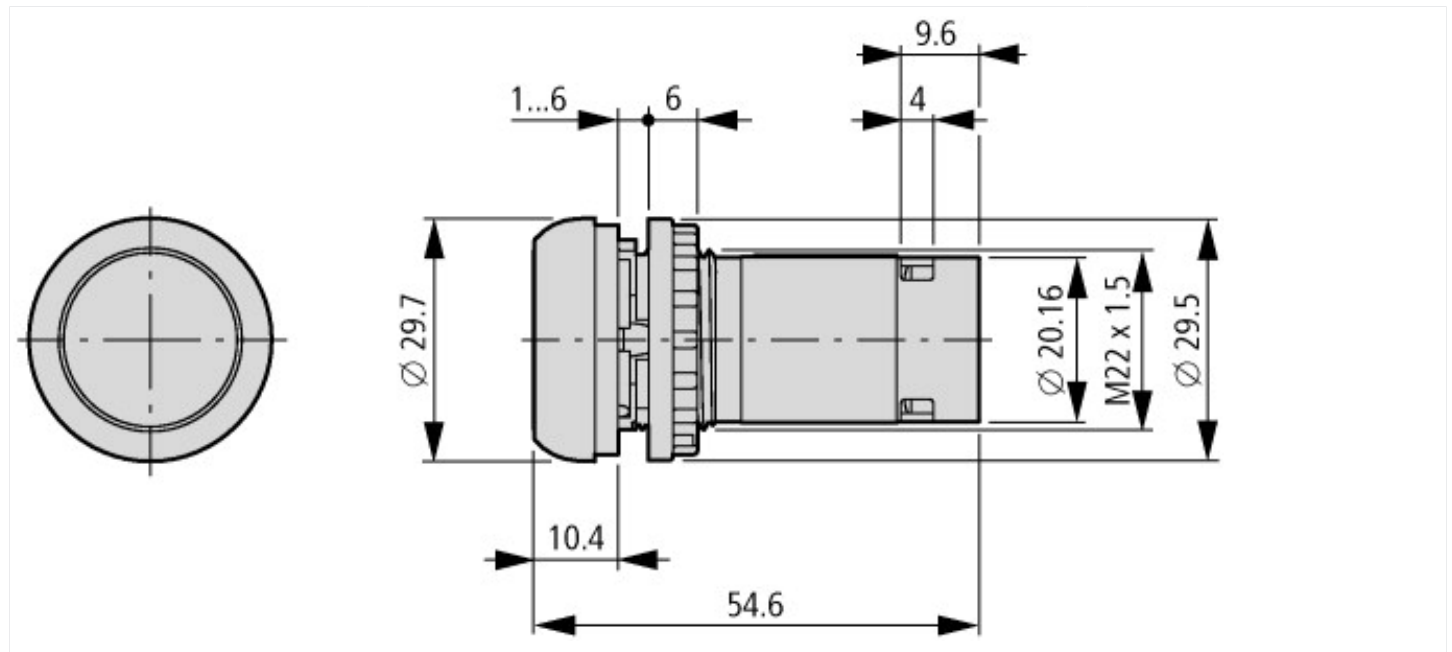
## Technical data ETIM 7.0

|   |  |    |                  |
|---|--|----|------------------|
| Low-voltage industrial components (EG000017) / Push button, complete (EC001028)   |  |    |                  |
| Electric engineering, automation, process control engineering / Low-voltage switch technology / Command and alarm device / Push-button actuator, complete unit (ecl@ss10.0.1-27-37-12-28 [AKF046014]) |  |    |                  |
| Number of command positions   |  |    | 1                |
| Type of button  |  |    | Flat             |
| Colour button   |  |    | Red              |
| Construction type lens  |  |    | Round            |
| Hole diameter   |  | mm | 22.5             |
| Width opening   |  | mm | 0                |
| Height opening  |  | mm | 0                |
| Suitable for illumination   |  |    | No               |
| Switching function latching   |  |    | No               |
| Spring-return   |  |    | Yes              |
| Supply voltage lamp   |  | V  | 0                |
| Number of contacts as normally open contact   |  |    | 1                |
| Number of contacts as normally closed contact   |  |    | 1                |
| Number of contacts as change-over contact   |  |    | 0                |
| Type of electric connection   |  |    | Screw connection |
| With front ring   |  |    | Yes              |
| Material front ring   |  |    | Plastic          |
| Colour front ring   |  |    | Other            |
| Degree of protection (IP)   |  |    | Other            |
| Degree of protection (NEMA)   |  |    |                  |

## Approvals

|                             |  |  |
|-----------------------------|--|--|
| Product Standards           |  | IEC/EN 60947-5-1; UL 508; CAN/CSA-C22.2 No. 14-05 und 94-M91; CE marking |
| UL File No.                 |  | E29184   |
| UL Category Control No.     |  | NKCR   |
| CSA File No.                |  | 165628   |
| CSA Class No.               |  | 321103   |
| North America Certification |  | UL listed, CSA certified   |
| Degree of Protection        |  | 1,3R,4X,12,13  |

## Dimensions



## Additional product information (links)

IL04716025Z RMQ-Titan: compact programm

IL04716025Z RMQ-Titan: compact programm [https://es-assets.eaton.com/DOCUMENTATION/AWA\\_INSTRUCTIONS/IL04716025Z2019\\_05.pdf](https://es-assets.eaton.com/DOCUMENTATION/AWA_INSTRUCTIONS/IL04716025Z2019_05.pdf)