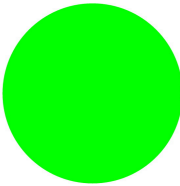
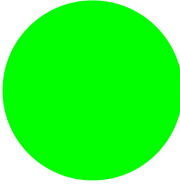
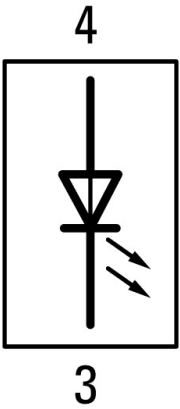




Indicator light, Flat, Screw connection, Lens green, LED green, 24 V AC/DC

Part no. C22-L-G-24
 Catalog No. 121628
 Alternate Catalog No. C22-L-G-24

Delivery program

Product range		RMQ Compact
Basic function		Indicator lights
Single unit/Complete unit		Complete unit
Design		Flat
Connection type		Screw connection
Colour		
Lens		green
Lens		
LED		
LED		green
Rated operational voltage LED		24 V AC/DC
Degree of Protection		IP66, IP67, IP69
Connection to SmartWire-DT		no
Contact sequence		

Technical data

General		
Standards		IEC/EN 60947-5-1 VDE 0660
Climatic proofing		Damp heat, constant, to IEC 60068-2-78 Damp heat, cyclic, to IEC 60068-2-30
Degree of Protection		IP66, IP67, IP69
Ambient temperature		
Open	°C	-25 - +70
Storage	°C	- -30 - + 80
Mounting position		As required

Terminal capacities		mm ²	
Solid		mm ²	2 x 0.5 - 1.5_x
Flexible with ferrule		mm ²	2 x 0.5 - 1.5_x
Tightening torque for terminal screw		Nm	0.8

Contacts

Rated impulse withstand voltage	U _{imp}	V AC	4000
Rated insulation voltage	U _i	V	250
Rated conditional short-circuit current	I _q	kA	1
Overvoltage category/pollution degree			III/3

Design verification as per IEC/EN 61439

Technical data for design verification			
Operating ambient temperature min.		°C	-25
Operating ambient temperature max.		°C	70

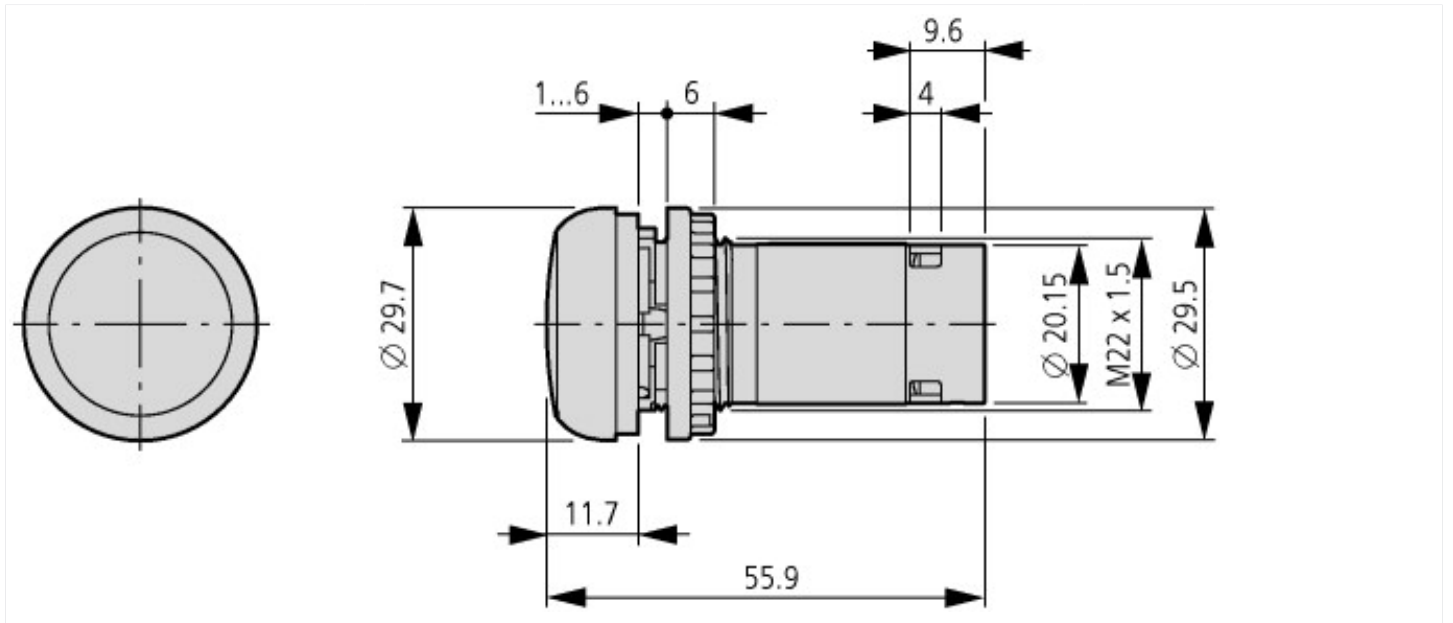
Technical data ETIM 7.0

Low-voltage industrial components (EG000017) / Indicator light complete (EC000272)			
Electric engineering, automation, process control engineering / Low-voltage switch technology / Command and alarm device / Indicator light complete (ecl@ss10.0.1-27-37-12-23 [AKF041014])			
Number of indicator lights			1
Colour lens			Green
Type of lamp socket			LED
With light source			Yes
Rated operating voltage U _e		V	24 - 24
Voltage type			AC/DC
Type of electric connection			Screw connection
Construction type lens			Round
Type of lens			Flat
Hole diameter		mm	22.5
Width opening		mm	0
Height opening		mm	0
With front ring			Yes
Material front ring			Plastic
Colour front ring			Other
Degree of protection (IP)			Other
Degree of protection (NEMA)			

Approvals

Product Standards			IEC/EN 60947-5-1; UL 508; CAN/CSA-C22.2 No. 14-05 und 94-M91; CE marking
UL File No.			E29184
UL Category Control No.			NKCR
CSA File No.			165628
CSA Class No.			321103
North America Certification			UL listed, CSA certified
Degree of Protection			1,3R,4X,12,13

Dimensions



Additional product information (links)

IL04716025Z RMQ-Titan: compact programm

IL04716025Z RMQ-Titan: compact programm https://es-assets.eaton.com/DOCUMENTATION/AWA_INSTRUCTIONS/IL04716025Z2019_05.pdf