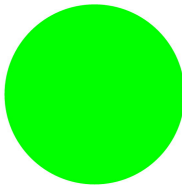
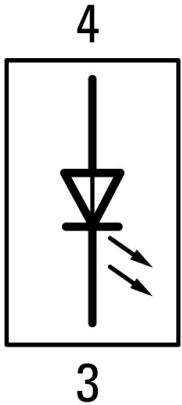




Indicator light, Flat, Screw connection, Lens Without lens, LED green, 24 V AC/DC

Part no. C22-L-XG-24
Catalog No. 121633
Alternate Catalog No. C22-L-XG-24

Delivery program

| | | | |
|-------------------------------|--|--|--|
| Product range | | | RMQ Compact |
| Basic function | | | Indicator lights |
| Single unit/Complete unit | | | Complete unit |
| Design | | | Flat |
| Connection type | | | Screw connection |
| Colour | | | |
| Lens | | | Without lens |
| LED | | |  |
| LED | | | green |
| Rated operational voltage LED | | | 24 V AC/DC |
| Degree of Protection | | | IP66, IP67, IP69 |
| Connection to SmartWire-DT | | | no |
| Contact sequence | | |  |
| Ordering information | | | Lenses for indicator lights → accessories |

Technical data

| | | | |
|--------------------------------------|--|-----------------|--|
| General | | | |
| Standards | | | IEC/EN 60947-5-1 VDE 0660 |
| Climatic proofing | | | Damp heat, constant, to IEC 60068-2-78 Damp heat, cyclic, to IEC 60068-2-30 |
| Degree of Protection | | | IP66, IP67, IP69 |
| Ambient temperature | | | |
| Open | | °C | -25 - +70 |
| Storage | | °C | - -30 - + 80 |
| Mounting position | | | As required |
| Terminal capacities | | mm ² | |
| Solid | | mm ² | 2 x 0.5 - 1.5_x |
| Flexible with ferrule | | mm ² | 2 x 0.5 - 1.5_x |
| Tightening torque for terminal screw | | Nm | 0.8 |

Contacts

| | | | |
|---|-----------|------|-------|
| Rated impulse withstand voltage | U_{imp} | V AC | 4000 |
| Rated insulation voltage | U_i | V | 250 |
| Rated conditional short-circuit current | I_q | kA | 1 |
| Overvoltage category/pollution degree | | | III/3 |

Design verification as per IEC/EN 61439

| | | | |
|--|--|----|-----|
| Technical data for design verification | | | |
| Operating ambient temperature min. | | °C | -25 |
| Operating ambient temperature max. | | °C | 70 |

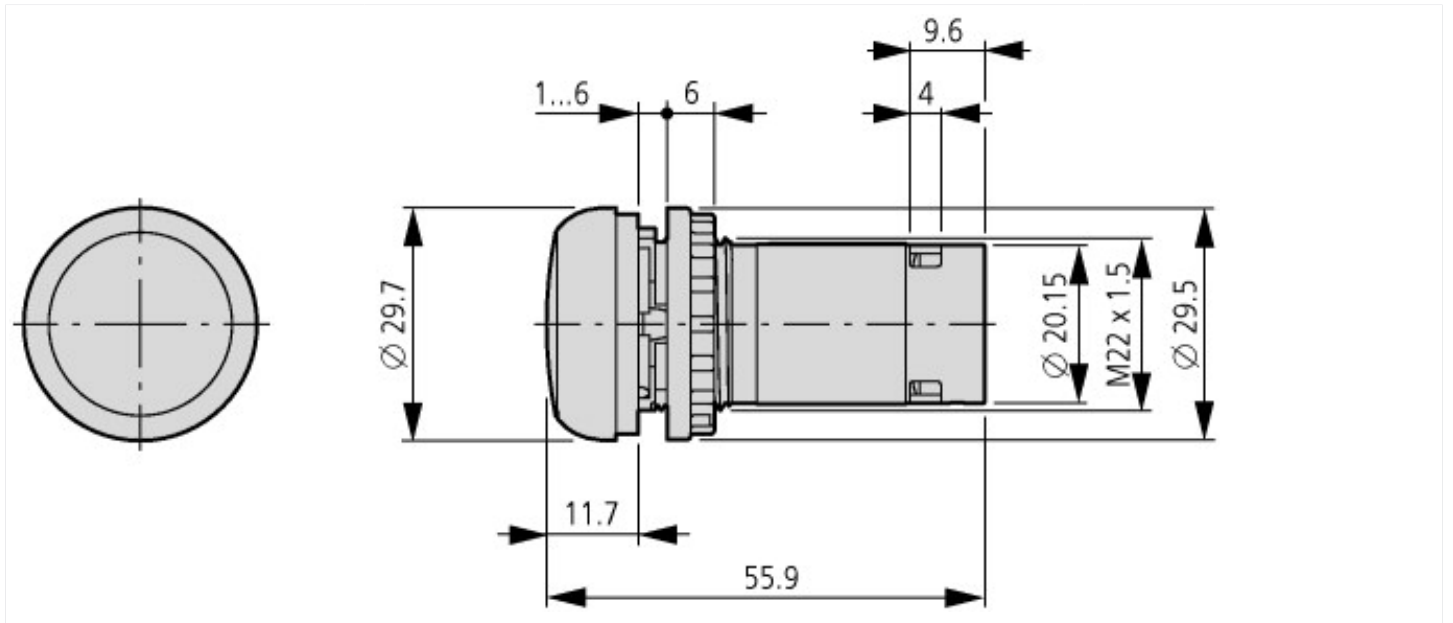
Technical data ETIM 7.0

| | | | |
|--|--|----|------------------|
| Low-voltage industrial components (EG000017) / Indicator light complete (EC000272) | | | |
| Electric engineering, automation, process control engineering / Low-voltage switch technology / Command and alarm device / Indicator light complete (ecl@ss10.0.1-27-37-12-23 [AKF041014]) | | | |
| Number of indicator lights | | | 1 |
| Colour lens | | | Without hood |
| Type of lamp socket | | | LED |
| With light source | | | Yes |
| Rated operating voltage U_e | | V | 24 - 24 |
| Voltage type | | | AC/DC |
| Type of electric connection | | | Screw connection |
| Construction type lens | | | Round |
| Type of lens | | | Flat |
| Hole diameter | | mm | 22.5 |
| Width opening | | mm | 0 |
| Height opening | | mm | 0 |
| With front ring | | | Yes |
| Material front ring | | | Plastic |
| Colour front ring | | | Other |
| Degree of protection (IP) | | | Other |
| Degree of protection (NEMA) | | | |

Approvals

| | | | |
|-----------------------------|--|--|--|
| Product Standards | | | IEC/EN 60947-5-1; UL 508; CAN/CSA-C22.2 No. 14-05 und 94-M91; CE marking |
| UL File No. | | | E29184 |
| UL Category Control No. | | | NKCR |
| CSA File No. | | | 165628 |
| CSA Class No. | | | 321103 |
| North America Certification | | | UL listed, CSA certified |
| Degree of Protection | | | 1,3R,4X,12,13 |

Dimensions



Additional product information (links)

IL04716025Z RMQ-Titan: compact programm

IL04716025Z RMQ-Titan: compact programm https://es-assets.eaton.com/DOCUMENTATION/AWA_INSTRUCTIONS/IL04716025Z2019_05.pdf