



Switch-disconnector, DMV, 250 A, 3 pole, Stop Function optional, Without rotary handle and drive shaft

Part no. **DMV-250N/3**
 Catalog No. **1814408**

Delivery program

Product range			Switch-disconnector Main switch maintenance switch
Part group reference			DMV
Stop Function			optional
			Without rotary handle and drive shaft
Notes			visible contacts
Information about equipment supplied			auxiliary contact fitted by user. including connection materials
Number of poles			3 pole
Auxiliary contacts			
		N/O	0
		N/C	0
Degree of Protection			IP00 IP20 with terminal cover
Design			surface mounting
Contact sequence			
Motor rating AC-23A, 50 - 60 Hz			
400 V	P	kW	147
Rated uninterrupted current	I_u	A	250
Note on rated uninterrupted current I_u			Rated uninterrupted current I_u is specified for max. cross-section.

Technical data

General

Standards			IEC/EN 60947, VDE 0660, IEC/EN 60204 Switch-disconnector according to IEC/EN 60947-3
Certifications			CE, RoHs, KEMA, EAC, Lloyds
Ambient temperature			
Operation	θ	°C	-25 - +55
Storage	θ	°C	-30 - +80
Overvoltage category/pollution degree			III/3

Rated impulse withstand voltage	U_{imp}	kV	8
Rated insulation voltage	U_i	V	1000
Mounting position			As required

Contacts

Mechanical variables			
Number of poles			3 pole
Auxiliary contacts			
		N/O	0
		N/C	0
Electrical characteristics			
Rated operational voltage	U_e	V AC	690
Rated uninterrupted current	I_u	A	250
Note on rated uninterrupted current I_u			Rated uninterrupted current I_u is specified for max. cross-section.
Short-circuit rating			
fuse			500/250
Rated conditional short-circuit current	I_q	kA	$I_n = 500: 50$ $I_n = 250: 100$
Breaking current		kA	$I_n = 500: 40$ $I_n = 250: 33$
max. let-through energy		kA^2s	$I_n = 500: 1700$ $I_n = 250: 380$
Rated short-time withstand current (1 s current)	I_{cw}	A_{rms}	12000
Note on rated short-time withstand current I_{cw}			Current for a time of 0.3 seconds
Heat dissipation per pole, current-dependent	P_{vid}	W	3.75

Switching capacity

Rated breaking capacity $\cos \varphi$ to IEC 60947-3			
400/415 V		A	2000
500 V		A	1760
690 V		A	1120
Safe isolation to EN 61140			
Current heat loss per contact at I_e		W	3.75
Lifespan, mechanical	Operations		10000
AC			
AC-21A			
Rated operational current switch			
400 V 415 V	I_e	A	250
500 V	I_e	A	250
690 V	I_e	A	250
AC-22A			
Rated operational current switch			
400 V 415 V	I_e	A	250
500 V	I_e	A	250
690 V	I_e	A	250
AC-23A			
Rated operational current switch			
400 V 415 V	I_e	A	250
500 V	I_e	A	220
690 V	I_e	A	140
Motor rating AC-23A, 50 - 60 Hz			
400 V 415 V	P	kW	147
500 V	P	kW	160
690 V	P	kW	132

Terminal capacities

Flat conductor connection with busbars		mm^2	120
Terminal screw			M8 x 20
Tightening torque for terminal screw		Nm	14

Technical safety parameters:

Notes			B10 _q values as per EN ISO 13849-1, table C1
-------	--	--	---------------------------------------------------------

Design verification as per IEC/EN 61439

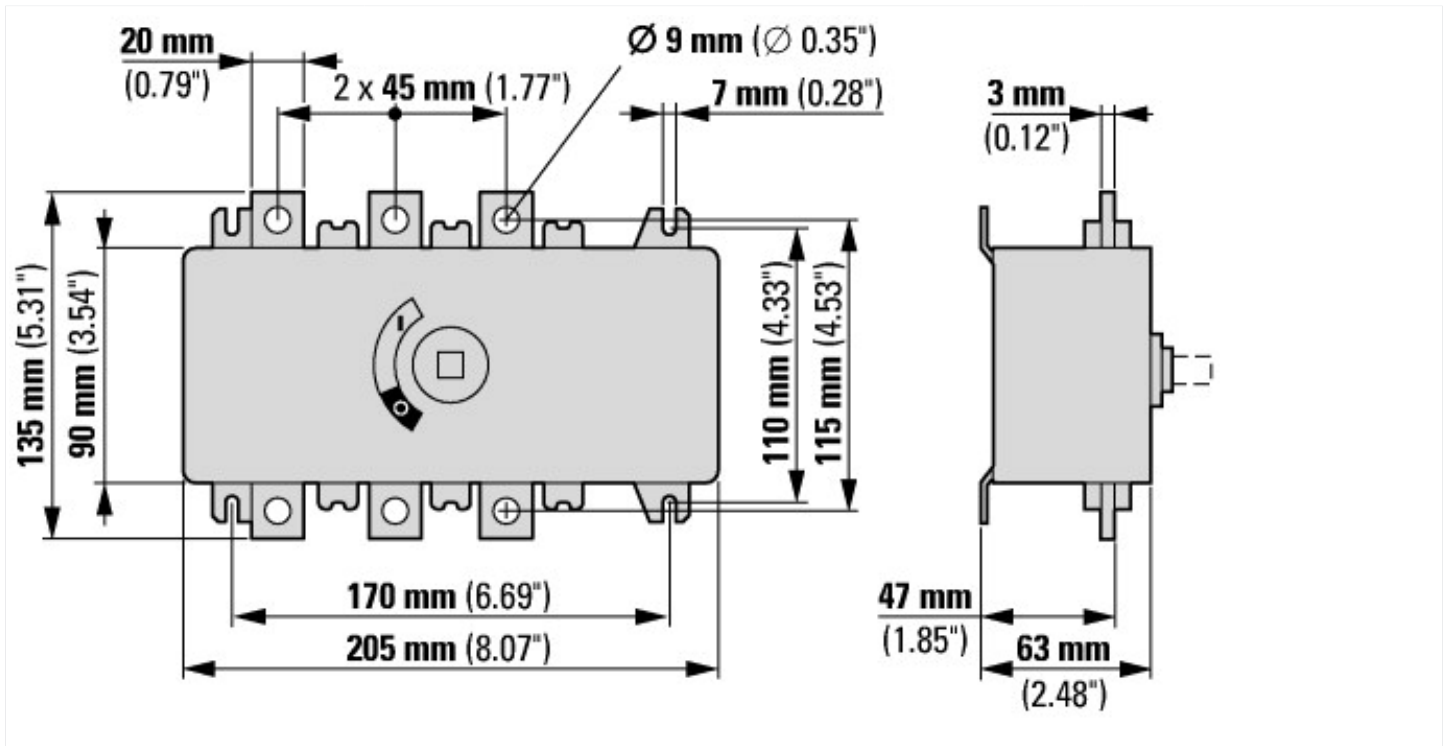
Technical data for design verification			
Rated operational current for specified heat dissipation	I _n	A	1000
Heat dissipation per pole, current-dependent	P _{vid}	W	3.75
Equipment heat dissipation, current-dependent	P _{vid}	W	0
Static heat dissipation, non-current-dependent	P _{vs}	W	0
Heat dissipation capacity	P _{diss}	W	0
Operating ambient temperature min.		°C	-25
Operating ambient temperature max.		°C	55
IEC/EN 61439 design verification			
10.2 Strength of materials and parts			
10.2.2 Corrosion resistance			
10.2.3.1 Verification of thermal stability of enclosures			
10.2.3.2 Verification of resistance of insulating materials to normal heat			
10.2.3.3 Verification of resistance of insulating materials to abnormal heat and fire due to internal electric effects			
10.2.4 Resistance to ultra-violet (UV) radiation			
10.2.5 Lifting			
10.2.6 Mechanical impact			
10.2.7 Inscriptions			
10.3 Degree of protection of ASSEMBLIES			
10.4 Clearances and creepage distances			
10.5 Protection against electric shock			
10.6 Incorporation of switching devices and components			
10.7 Internal electrical circuits and connections			
10.8 Connections for external conductors			
10.9 Insulation properties			
10.9.2 Power-frequency electric strength			
10.9.3 Impulse withstand voltage			
10.9.4 Testing of enclosures made of insulating material			
10.10 Temperature rise			
10.11 Short-circuit rating			
10.12 Electromagnetic compatibility			
10.13 Mechanical function			

Technical data ETIM 7.0

Low-voltage industrial components (EG000017) / Switch disconnecter (EC000216)			
Electric engineering, automation, process control engineering / Low-voltage switch technology / Off-load switch, circuit breaker, control switch / Switch disconnecter (ec@ss10.0.1-27-37-14-03 [AKF060013])			
Version as main switch			Yes
Version as maintenance-/service switch			Yes
Version as safety switch			No
Version as emergency stop installation			Yes
Version as reversing switch			No
Number of switches			1
Max. rated operation voltage U _e AC		V	690
Rated operating voltage		V	690 - 690
Rated permanent current I _u		A	250
Rated permanent current at AC-23, 400 V		A	250
Rated permanent current at AC-21, 400 V		A	250

Rated operation power at AC-3, 400 V	kW	0
Rated short-time withstand current I _{cw}	kA	12
Rated operation power at AC-23, 400 V	kW	140
Switching power at 400 V	kW	140
Conditioned rated short-circuit current I _q	kA	100
Number of poles		3
Number of auxiliary contacts as normally closed contact		0
Number of auxiliary contacts as normally open contact		0
Number of auxiliary contacts as change-over contact		0
Motor drive optional		No
Motor drive integrated		No
Voltage release optional		No
Device construction		Complete device in housing
Suitable for ground mounting		Yes
Suitable for front mounting 4-hole		No
Suitable for front mounting centre		No
Suitable for distribution board installation		No
Suitable for intermediate mounting		No
Colour control element		Other
Type of control element		Other
Interlockable		No
Type of electrical connection of main circuit		Screw connection
Degree of protection (IP), front side		IP20
Degree of protection (NEMA)		Other

Dimensions



Additional product information (links)

IL008008Z Switch-disconnectors

IL008008Z Switch-disconnectors

https://es-assets.eaton.com/DOCUMENTATION/AWA_INSTRUCTIONS/IL008008ZU2018_05.pdf