



Connection 3p horizontal/vertical

Part no. IZMX-THV163-1
Catalog No. 183970
Alternate Catalog No. 65A2606G01
No.
EL-Nummer (Norway) 4398380

Delivery program

Product range			Accessories
Accessories			Main terminal kits
Accessories			Horizontal and vertical connections
			This connection kit comes with T-shaped adapters for the main terminals; these adapters can be used either as horizontal or vertical connectors. Each set contains the connections for top and bottom. 3 pole = 6 off; 4 pole = 8 off Rear universal connection for withdrawable unit.
Rated current	I_n	A	630 - 1600
Pole			3
For use with			IZMX163... INX163...

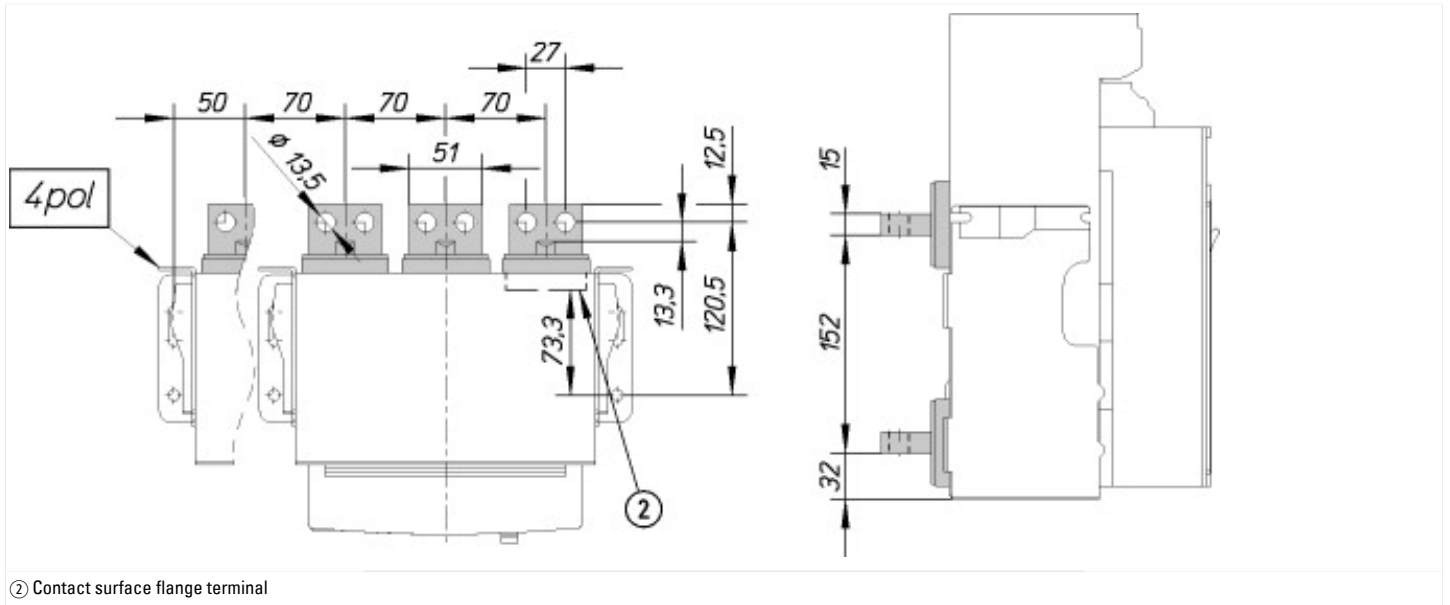
Design verification as per IEC/EN 61439

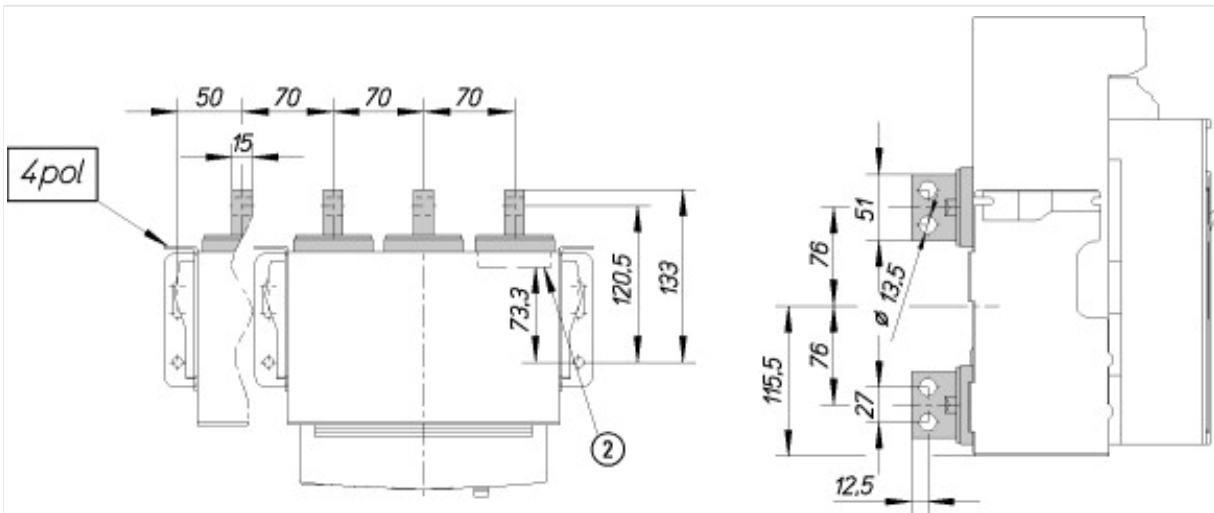
Technical data for design verification			
Operating ambient temperature min.		°C	-25
Operating ambient temperature max.		°C	70

Technical data ETIM 7.0

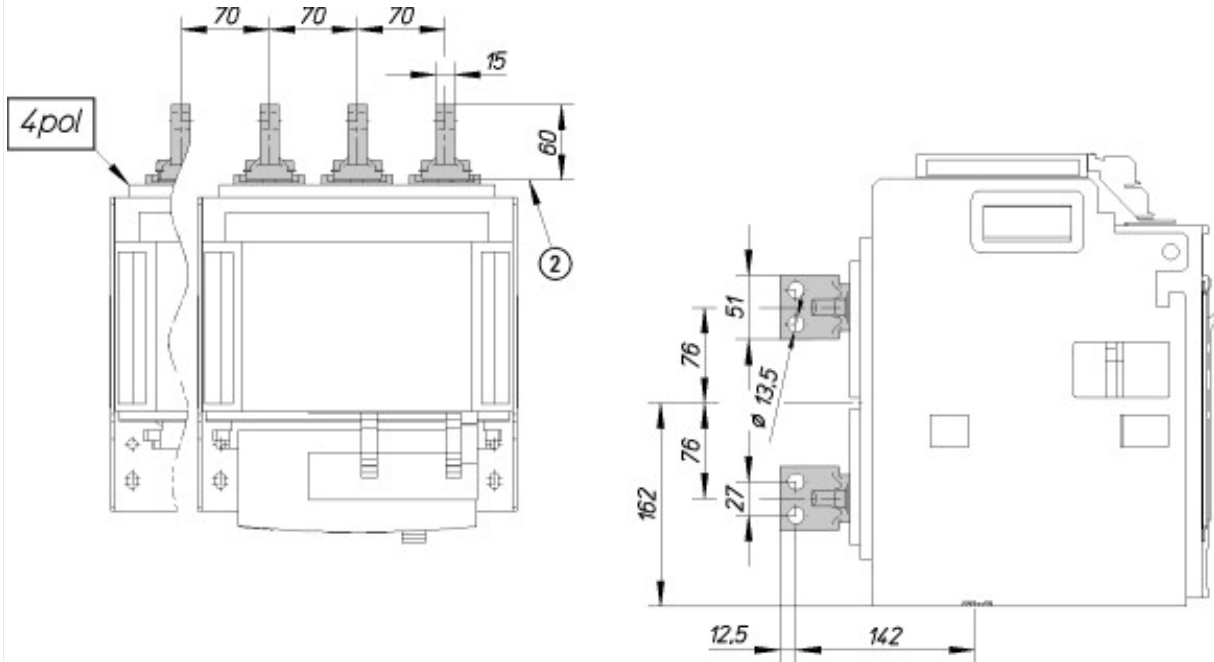
Low-voltage industrial components (EG000017) / Connection vane/phase spreader (EC002019)			
Electric engineering, automation, process control engineering / Low-voltage switch technology / Component for low-voltage switching technology / Connection vane/phase spreader (ecI@ss10.0.1-27-37-13-05 [ACN990012])			
Suitable for number of poles			3

Dimensions

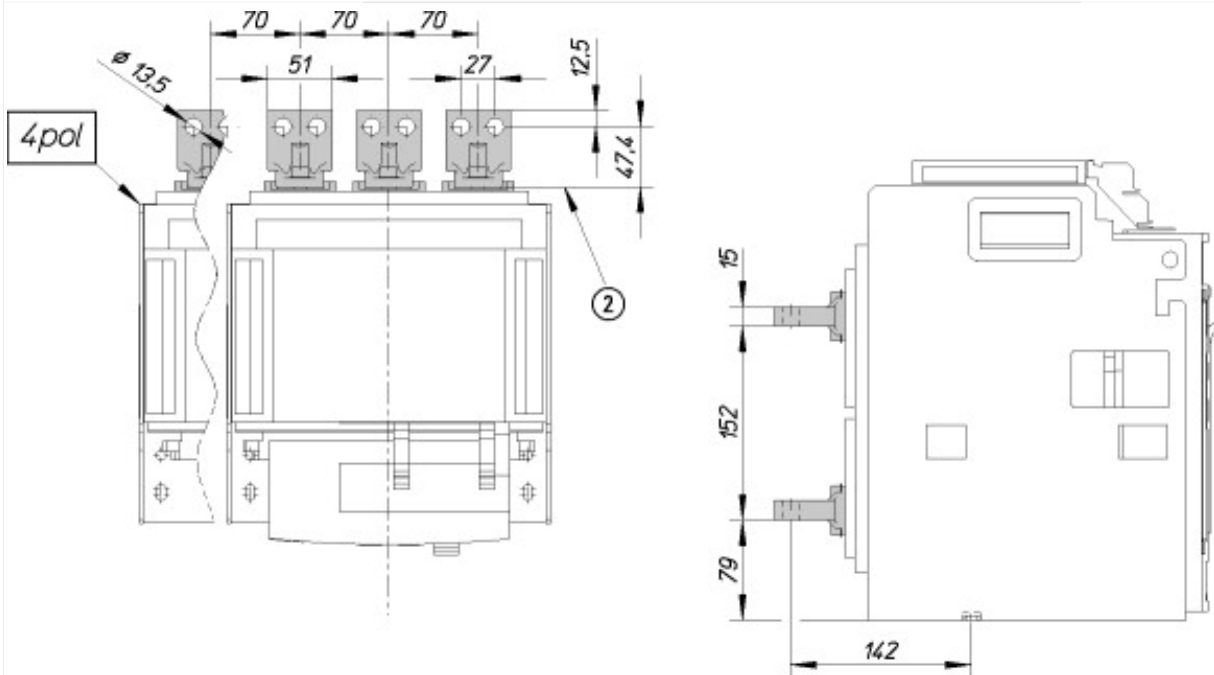




② Contact surface flange terminal



② Contact surface flange terminal



② Contact surface flange terminal