



Door sealing frame, IP41, AV

Part no. IZMX-DEG16-W-1
Catalog No. 184138
Alternate Catalog No. 65A2530G01
EL-Nummer (Norway) 4398501

Delivery program

Product range		Accessories
Accessories		Degree of protection IP31
Accessories		Spare door seal
		Replacement door escutcheon with gasket IP31
For use with		IZMX16...W INX16...W
Instructions		Spare part; supplied as standard with every breaker.

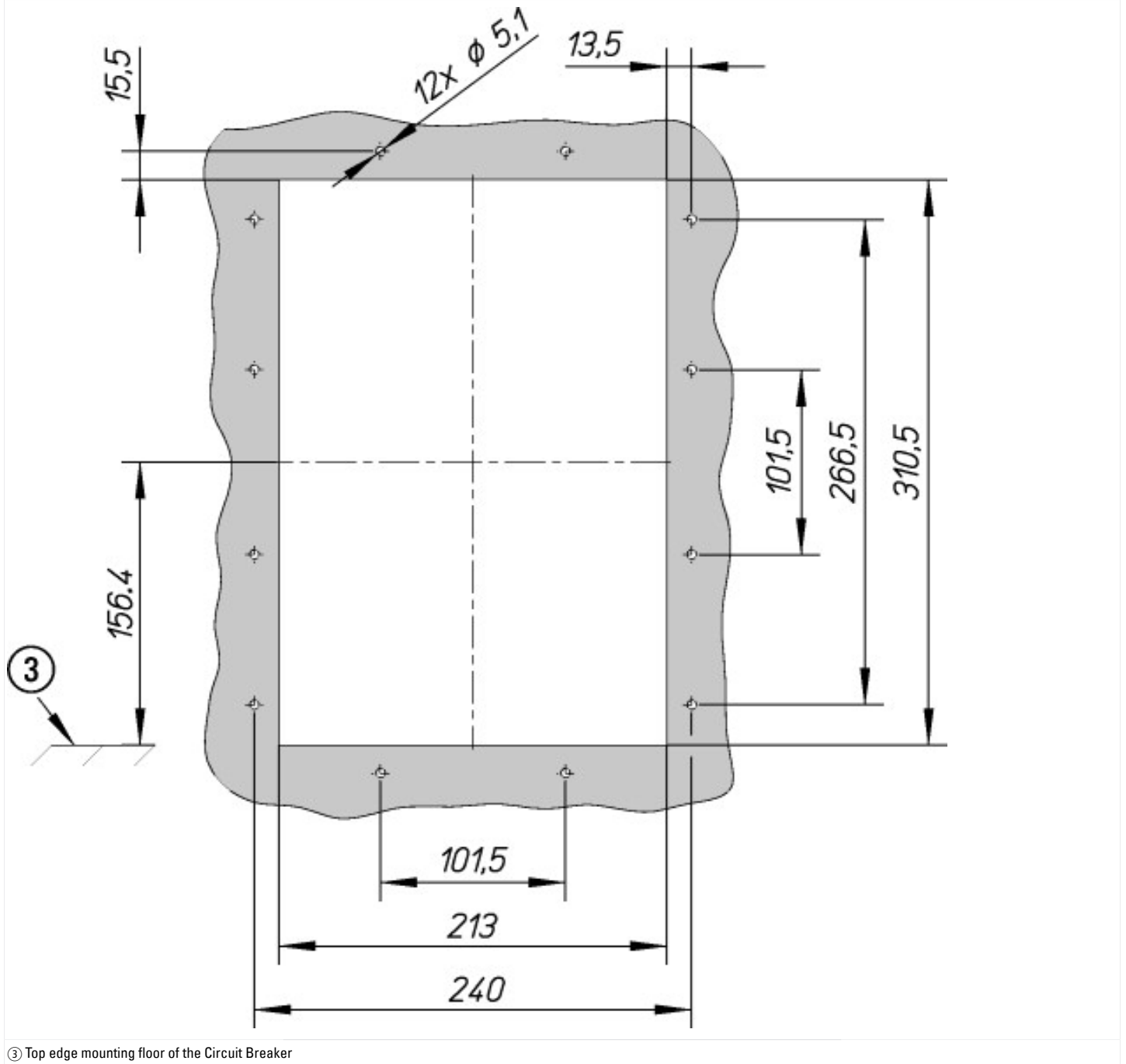
Design verification as per IEC/EN 61439

Technical data for design verification		
Operating ambient temperature min.	°C	-25
Operating ambient temperature max.	°C	70

Technical data ETIM 7.0

Low-voltage industrial components (EG000017) / Accessories for low-voltage switch technology (EC002498)		
Electric engineering, automation, process control engineering / Low-voltage switch technology / Component for low-voltage switching technology / Component for low-voltage switch technology (accessories) (ecl@ss10.0.1-27-37-13-92 [AKN570013])		
Type of accessory		Other

Dimensions



③ Top edge mounting floor of the Circuit Breaker