




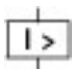


Circuit-breaker, 3p, 125A

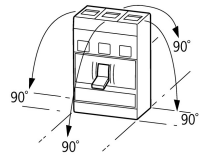
Part no. NZMC2-A125
Catalog No. 271420

Similar to illustration

Delivery program

| | | | |
|-------------------------------------------------------------------------------------|--------------------------|----|------------------|
| Installation type | | | Fixed |
| Standard equipment | | | Screw connection |
| Switching capacity | | | |
| 400/415 V 50 Hz | I_{cu} | kA | 36 |
| Rated current = rated uninterrupted current | | | |
| Rated current = rated uninterrupted current | $I_n = I_u$ | A | 125 |
| Setting range | | | |
| Overload trip | | | |
|  | I_r | A | 100 - 125 |
| Short-circuit releases | | | |
|  | | | |
| Non-delayed | $I_i = I_n \times \dots$ | | 6 - 10 |
|  | | | |
| Short-circuit releases | I_{rm} | A | 750 - 1250 |
|  | | | |

Technical data

| | | | |
|---------------------------------------------------------------------------------------|--|------|-------------------------------------------------------------------------------------------------------------------------------------------------------------------------------------------------------------------------------------------------------------------------------------------------------------------------------------------------------------------------------------------------------------------------------------------------------------------------------------------------------------------------------------------------------------------------------------------------------------------------------------------------|
| General | | | |
| Standards | | | IEC/EN 60947 |
| Protection against direct contact | | | Finger and back of hand proof to VDE 0106 Part 100 |
| Climatic proofing | | | Damp heat, constant, to IEC 60068-2-78 Damp heat, cyclic, to IEC 60068-2-30 |
| Ambient temperature | | | |
| Ambient temperature, storage | | °C | - 40 - + 70 |
| Operation | | °C | -25 - +70 |
| Mechanical shock resistance (10 ms half-sinusoidal shock) according to IEC 60068-2-27 | | g | 20 (half-sinusoidal shock 20 ms) |
| Safe isolation to EN 61140 | | | |
| Between auxiliary contacts and main contacts | | V AC | 500 |
| between the auxiliary contacts | | V AC | 300 |
| Weight | | kg | 2.345 |
| Mounting position | | | Vertical and 90° in all directions |
| | | |  <p>With XFI earth-fault release: - NZM1, N1, NZM2, N2: vertical and 90° in all directions with plug-in unit - NZM1, N1, NZM2, N2: vertical, 90° right/left with withdrawable unit: - NZM3, N3: vertical, 90° right/left - NZM4, N4: vertical with remote operator: - NZM2, N(S)2, NZM3, N(S)3, NZM4, N(S)4: vertical and 90° in all directions</p> |

| | | | |
|----------------------------------------|--|--|--------------------------------------------------------------------------|
| Direction of incoming supply | | | as required |
| Degree of protection | | | |
| Device | | | In the operating controls area: IP20 (basic degree of protection) |
| Enclosures | | | With insulating surround: IP40 With door coupling rotary handle: IP66 |
| Terminations | | | Tunnel terminal: IP10 Phase isolator and strip terminal: IP00 |
| Other technical data (sheet catalogue) | | | Weight Temperature dependency, Derating Effective power loss |

Circuit-breakers

| | | | |
|---------------------------------------------|-------------|------|------------|
| Rated current = rated uninterrupted current | $I_n = I_u$ | A | 125 |
| Rated surge voltage invariability | U_{imp} | | |
| Main contacts | | V | 8000 |
| Auxiliary contacts | | V | 6000 |
| Rated operational voltage | U_e | V AC | 690 |
| Overvoltage category/pollution degree | | | III/3 |
| Rated insulation voltage | U_i | V | 690 |
| Use in unearthed supply systems | | V | ≤ 690 |

Switching capacity

| | | | |
|-----------------------------------------------------------------------------|------------|-------|-------------------------------------------------------------------------------------------------------------------------------------------------|
| Rated short-circuit making capacity | I_{cm} | | |
| 240 V | I_{cm} | kA | 121 |
| 400/415 V | I_{cm} | kA | 76 |
| 440 V 50/60 Hz | I_{cm} | kA | 63 |
| 525 V 50/60 Hz | I_{cm} | kA | 24 |
| 690 V 50/60 H | I_c | kA | 14 |
| Rated short-circuit breaking capacity I_{cn} | I_{cn} | | |
| I_{cu} to IEC/EN 60947 test cycle O-t-CO | I_{cu} | kA | |
| 240 V 50/60 Hz | I_{cu} | kA | 55 |
| 400/415 V 50/60 Hz | I_{cu} | kA | 36 |
| 440 V 50/60 Hz | I_{cu} | kA | 30 |
| 525 V 50/60 Hz | I_{cu} | kA | 12 |
| 690 V 50/60 Hz | I_{cu} | kA | 8 |
| I_{cs} to IEC/EN 60947 test cycle O-t-CO-t-CO | I_{cs} | kA | |
| 240 V 50/60 Hz | I_{cs} | kA | 55 |
| 400/415 V 50/60 Hz | I_{cs} | kA | 36 |
| 440 V 50/60 Hz | I_{cs} | kA | 22.5 |
| 525 V 50/60 Hz | I_{cs} | kA | 9 |
| 690 V 50/60 Hz | I_{cs} | kA | 8 |
| | | | Maximum back-up fuse, if the expected short-circuit currents at the installation location exceed the switching capacity of the circuit-breaker. |
| Utilization category to IEC/EN 60947-2 | | | A |
| Lifespan, mechanical(of which max. 50 % trip by shunt/undervoltage release) | Operations | | 20000 |
| Lifespan, electrical | | | |
| AC-1 | | | |
| 400 V 50/60 Hz | Operations | | 10000 |
| 415 V 50/60 Hz | Operations | | 7500 |
| 690 V 50/60 Hz | Operations | | 7500 |
| AC--3 | | | |
| 415 V 50/60 Hz | Operations | | 6500 |
| 690 V 50/60 Hz | Operations | | 5000 |
| Max. operating frequency | | Ops/h | 120 |
| Total break time at short-circuit | | ms | < 10 |

Terminal capacity

| | | | |
|------------------------|--|--|------------------|
| Standard equipment | | | Screw connection |
| Round copper conductor | | | |

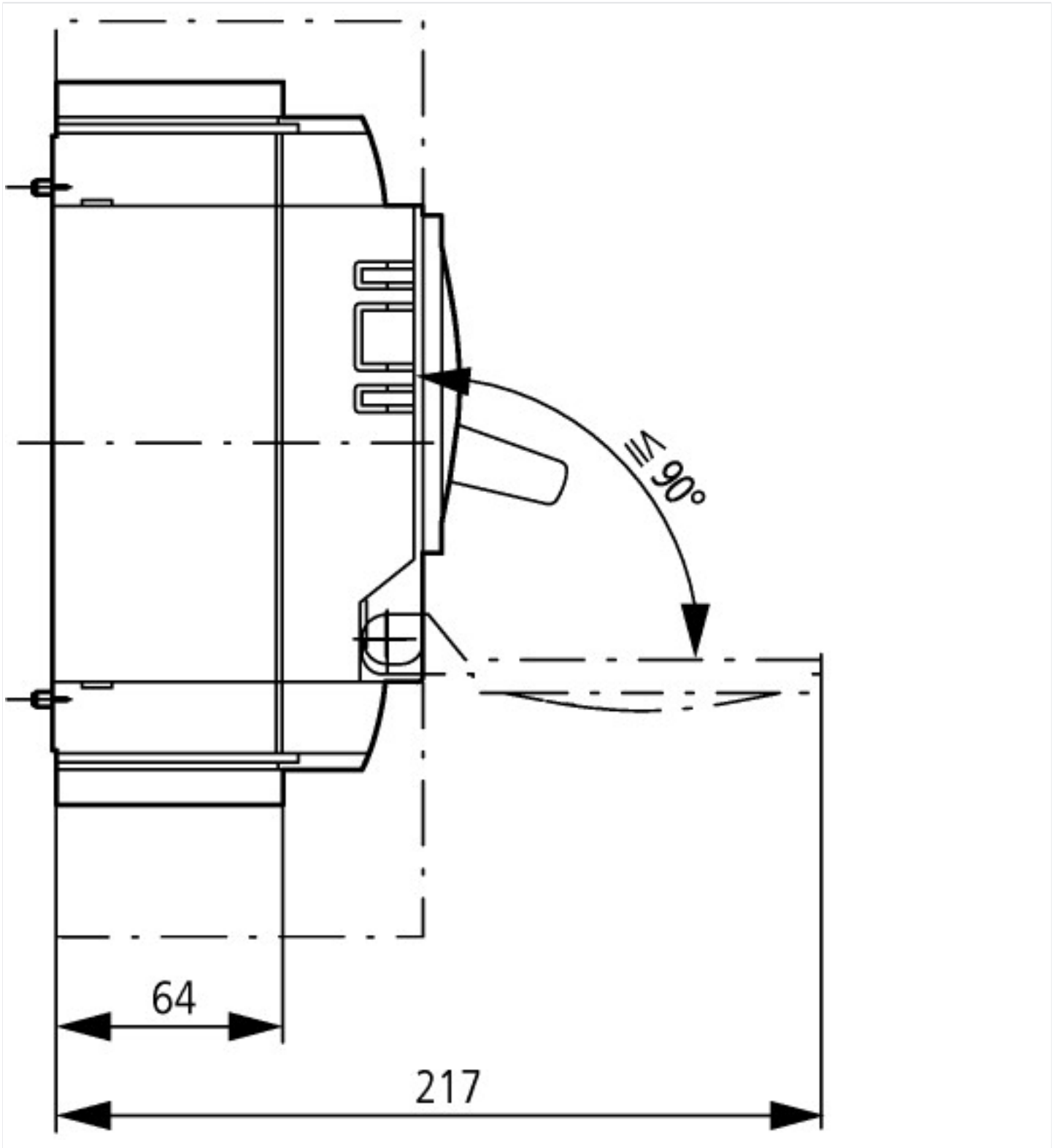
| | | | |
|----------------------------------------|----|-----------------|--------|
| Tunnel terminal | | | |
| Solid | | mm ² | 1 x 16 |
| Copper busbar (width x thickness) | mm | | |
| Bolt terminal and rear-side connection | | | |
| Screw connection | | | M8 |

Design verification as per IEC/EN 61439

| | | | |
|------------------------------------------------------------------------------------------------------------------------|------------------|----|----------------------------------------------------------------------------------------------------------------------------------|
| Technical data for design verification | | | |
| Equipment heat dissipation, current-dependent | P _{vid} | W | 27.61 |
| Operating ambient temperature min. | | °C | -25 |
| Operating ambient temperature max. | | °C | 70 |
| IEC/EN 61439 design verification | | | |
| 10.2 Strength of materials and parts | | | |
| 10.2.2 Corrosion resistance | | | Meets the product standard's requirements. |
| 10.2.3.1 Verification of thermal stability of enclosures | | | Meets the product standard's requirements. |
| 10.2.3.2 Verification of resistance of insulating materials to normal heat | | | Meets the product standard's requirements. |
| 10.2.3.3 Verification of resistance of insulating materials to abnormal heat and fire due to internal electric effects | | | Meets the product standard's requirements. |
| 10.2.4 Resistance to ultra-violet (UV) radiation | | | Meets the product standard's requirements. |
| 10.2.5 Lifting | | | Does not apply, since the entire switchgear needs to be evaluated. |
| 10.2.6 Mechanical impact | | | Does not apply, since the entire switchgear needs to be evaluated. |
| 10.2.7 Inscriptions | | | Meets the product standard's requirements. |
| 10.3 Degree of protection of ASSEMBLIES | | | Does not apply, since the entire switchgear needs to be evaluated. |
| 10.4 Clearances and creepage distances | | | Meets the product standard's requirements. |
| 10.5 Protection against electric shock | | | Does not apply, since the entire switchgear needs to be evaluated. |
| 10.6 Incorporation of switching devices and components | | | Does not apply, since the entire switchgear needs to be evaluated. |
| 10.7 Internal electrical circuits and connections | | | Is the panel builder's responsibility. |
| 10.8 Connections for external conductors | | | Is the panel builder's responsibility. |
| 10.9 Insulation properties | | | |
| 10.9.2 Power-frequency electric strength | | | Is the panel builder's responsibility. |
| 10.9.3 Impulse withstand voltage | | | Is the panel builder's responsibility. |
| 10.9.4 Testing of enclosures made of insulating material | | | Is the panel builder's responsibility. |
| 10.10 Temperature rise | | | The panel builder is responsible for the temperature rise calculation. Eaton will provide heat dissipation data for the devices. |
| 10.11 Short-circuit rating | | | Is the panel builder's responsibility. The specifications for the switchgear must be observed. |
| 10.12 Electromagnetic compatibility | | | Is the panel builder's responsibility. The specifications for the switchgear must be observed. |
| 10.13 Mechanical function | | | The device meets the requirements, provided the information in the instruction leaflet (IL) is observed. |

Technical data ETIM 7.0

| | | | |
|--------------------------------------------------------------------------------------------------------------------------------------------------------------------------------------------------------------------------------------------|----|--|------------------------------------------|
| Low-voltage industrial components (EG000017) / Power circuit-breaker for trafo/generator/installation protection (EC000228) | | | |
| Electric engineering, automation, process control engineering / Low-voltage switch technology / Circuit breaker (LV < 1 kV) / Circuit breaker for power transformer, generator and system protection (ec@ss10.0.1-27-37-04-09 [AJZ716013]) | | | |
| Rated permanent current I _u | A | | 125 |
| Rated voltage | V | | 690 - 690 |
| Rated short-circuit breaking capacity I _{cu} at 400 V, 50 Hz | kA | | 36 |
| Overload release current setting | A | | 100 - 125 |
| Adjustment range short-term delayed short-circuit release | A | | 0 - 0 |
| Adjustment range undelayed short-circuit release | A | | 750 - 1250 |
| Integrated earth fault protection | | | No |
| Type of electrical connection of main circuit | | | Screw connection |
| Device construction | | | Built-in device fixed built-in technique |
| Suitable for DIN rail (top hat rail) mounting | | | No |
| DIN rail (top hat rail) mounting optional | | | Yes |
| Number of auxiliary contacts as normally closed contact | | | 0 |



Additional product information (links)

| | |
|-------------------------------------------------------|---------------------------------------------------------------------------------------------------------------------------------------------------------|
| Weight | http://ecat.moeller.net/flip-cat/?edition=HPLEN&startpage=17.171 |
| Temperature dependency, Derating | http://ecat.moeller.net/flip-cat/?edition=HPLEN&startpage=17.172 |
| Effective power loss | http://ecat.moeller.net/flip-cat/?edition=HPLEN&startpage=17.174 |
| additional technical information for NZM power switch | https://es-assets.eaton.com/DOCUMENTATION/PDF/nzm_technic_de_en.pdf |