



Cable lug, 150mm<sup>2</sup>, narrow type

Part no. **KS150-NZM7**  
 Catalog No. **059777**

EL-Nummer (Norway) **0004315502**

Similar to illustration

## Delivery program

Number of conductors			3/4 pole
Accessories			Cable lugs
For use with			NZM2(-4), PN2(-4), N2(-4)
Description			Not UL/CSA approved. Narrow tubular cable lugs for switchgear connections. When using without cover NZM2 (-4)-XKSA, the cable lug must be insulated.
Terminal capacity		mm <sup>2</sup>	150
<b>Instructions</b> For detailed specifications regarding suitable types of conductors and the required crimping tool: See Heading Engineering.			

## Technical data

### Engineering

Engineering notes			<p>In order to crimp cable lugs when using stranded conductors, e.g., VDE 0295 Class 2 and rounded stranded sector-shaped conductors, you will need a Klauke K22, HK60/22, or EK22 crimping tool with the following crimping dies:</p> <ul style="list-style-type: none"> <li>• R22/95 for 95 mm<sup>2</sup></li> <li>• R22/120 for 120 mm<sup>2</sup></li> <li>• R22/150 for 150 mm<sup>2</sup></li> <li>• R22/185 for 185 mm<sup>2</sup></li> <li>• R22/240 for 240 mm<sup>2</sup></li> <li>• R22/300 for 300 mm<sup>2</sup></li> </ul> <p>Flexible conductors are adequate to a limited extent. They must be indent-crimped with a Klauke series 13 or series 25 crimping die.</p>
-------------------	--	--	---

## Design verification as per IEC/EN 61439

IEC/EN 61439 design verification		
10.2 Strength of materials and parts		
10.2.2 Corrosion resistance		Meets the product standard's requirements.
10.2.3.1 Verification of thermal stability of enclosures		Meets the product standard's requirements.
10.2.3.2 Verification of resistance of insulating materials to normal heat		Meets the product standard's requirements.
10.2.3.3 Verification of resistance of insulating materials to abnormal heat and fire due to internal electric effects		Meets the product standard's requirements.
10.2.4 Resistance to ultra-violet (UV) radiation		Meets the product standard's requirements.
10.2.5 Lifting		Does not apply, since the entire switchgear needs to be evaluated.
10.2.6 Mechanical impact		Does not apply, since the entire switchgear needs to be evaluated.
10.2.7 Inscriptions		Meets the product standard's requirements.
10.3 Degree of protection of ASSEMBLIES		Does not apply, since the entire switchgear needs to be evaluated.
10.4 Clearances and creepage distances		Meets the product standard's requirements.
10.5 Protection against electric shock		Does not apply, since the entire switchgear needs to be evaluated.
10.6 Incorporation of switching devices and components		Does not apply, since the entire switchgear needs to be evaluated.
10.7 Internal electrical circuits and connections		Is the panel builder's responsibility.
10.8 Connections for external conductors		Is the panel builder's responsibility.
10.9 Insulation properties		

10.9.2 Power-frequency electric strength		Is the panel builder's responsibility.
10.9.3 Impulse withstand voltage		Is the panel builder's responsibility.
10.9.4 Testing of enclosures made of insulating material		Is the panel builder's responsibility.
10.10 Temperature rise		The panel builder is responsible for the temperature rise calculation. Eaton will provide heat dissipation data for the devices.
10.11 Short-circuit rating		Is the panel builder's responsibility. The specifications for the switchgear must be observed.
10.12 Electromagnetic compatibility		Is the panel builder's responsibility. The specifications for the switchgear must be observed.
10.13 Mechanical function		The device meets the requirements, provided the information in the instruction leaflet (IL) is observed.

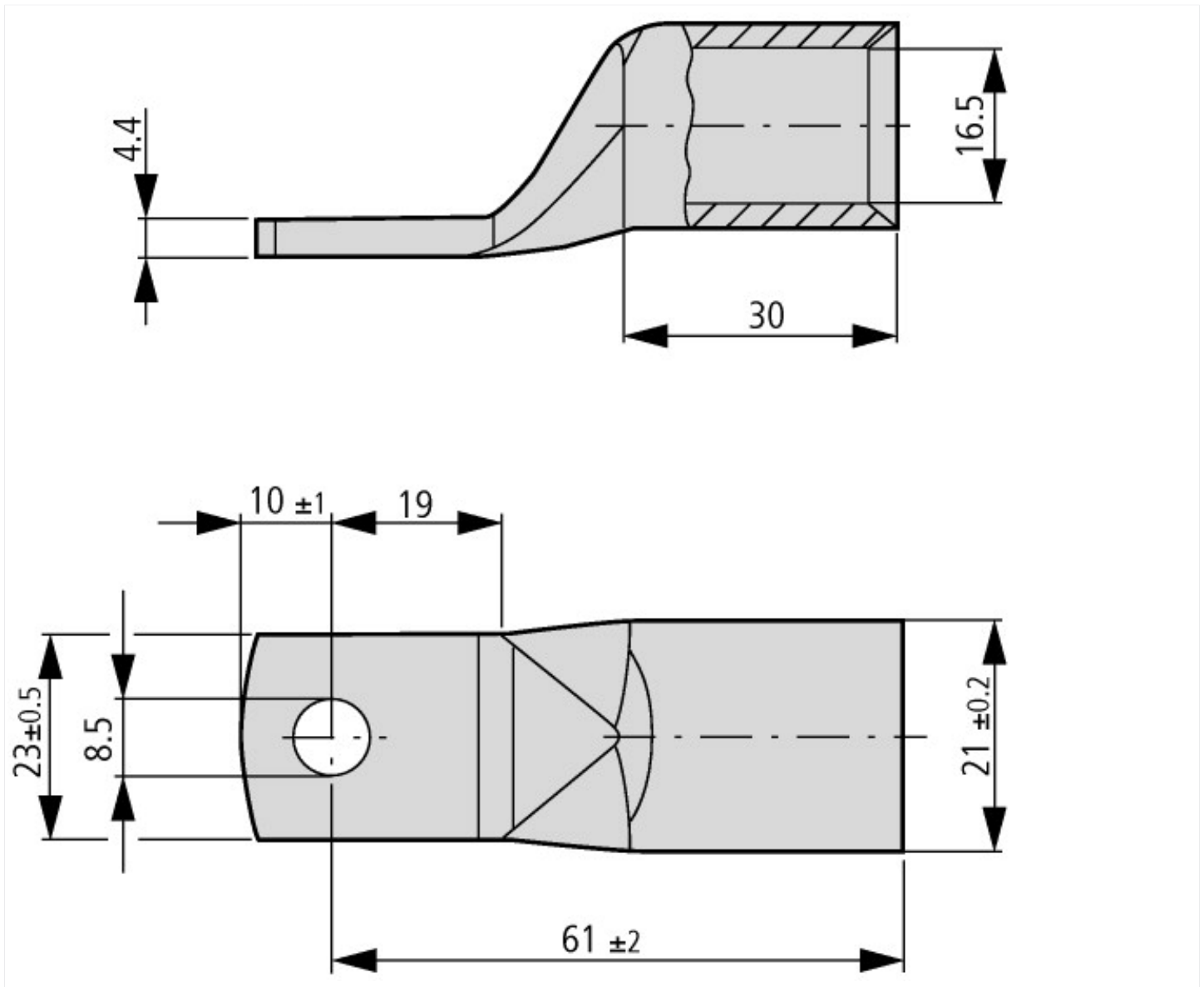
## Technical data ETIM 7.0

Installation, isolation and connection material (EG000047) / Crimp cable lug for copper conductors (EC001050)

Electric engineering, automation, process control engineering / Electrical insulation and connecting material / Lug, conductor sleeve, connector / Crimp cable lug for copper conductors (ecl@ss10.0.1-27-40-02-03 [AKN512013])

Bolt dimension (metric)		0
Connecting angle		180° (horizontal)
Number of mounting holes		1
Code digit		0
Nominal cross section	mm <sup>2</sup>	150
Surface protection		Tinned
Identification colour		None

## Dimensions



## Additional product information (links)

IL01219049Z (AWA1230-2046) Cable lugs-NZM2

IL01219049Z (AWA1230-2046) Cable lugs-NZM2 [https://es-assets.eaton.com/DOCUMENTATION/AWA\\_INSTRUCTIONS/IL01219049Z2012\\_11.pdf](https://es-assets.eaton.com/DOCUMENTATION/AWA_INSTRUCTIONS/IL01219049Z2012_11.pdf)