



With plug-in terminals for copper conductors



DK 0404 W

- 0.75-4 mm², Cu 3~

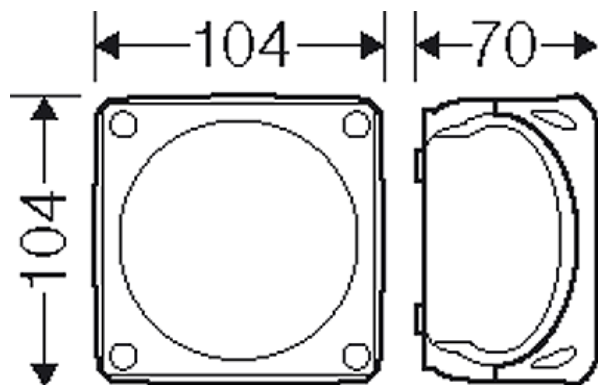


- with 2 x Wago 221-500 mounting support and 5 x Wago 221-413 3-conductor splicing connectors
- per splice connector 3 x 0.14 - 4 mm² f, 3 x 0.2 - 4 mm² r
- with elastic membranes, which can be removed for cable entry via cable glands, sealing range 9.0-17.0 mm
- with one cable entry in the bottom, sealing range Ø 6.0-15.0 mm
- lid fasteners sealable without accessories
- retaining strap and external brackets for wall fixing included
- colour: grey, RAL 7035


| | |
|--------------------------|----------------------------------|
| rated insulation voltage | U _i = 450 V a.c./d.c. |
| rated current: | 32 A |
| material | PP (polypropylene) |
| degree of protection | IP 66 |
| width | 104 mm |
| height | 104 mm |
| depth | 70 mm |
| weight | 0,179 kg |
| in accordance with | IEC 60670-22 |

Drawings

Dimension drawing



With plug-in terminals for copper conductors

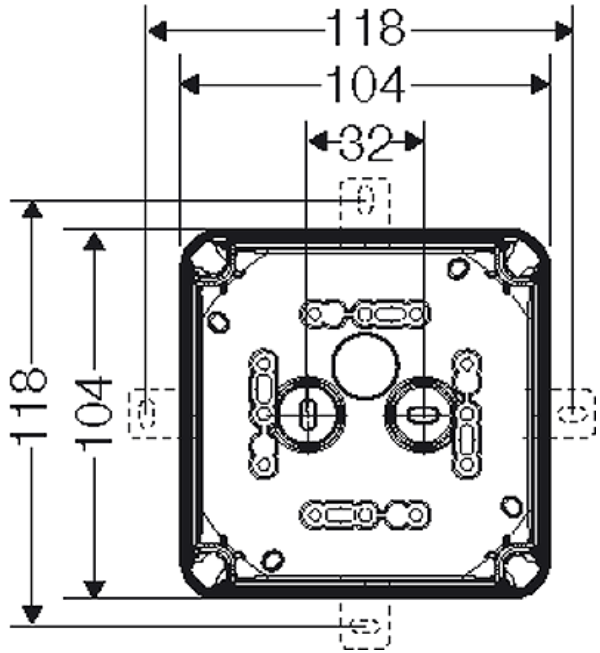


DK 0404 W

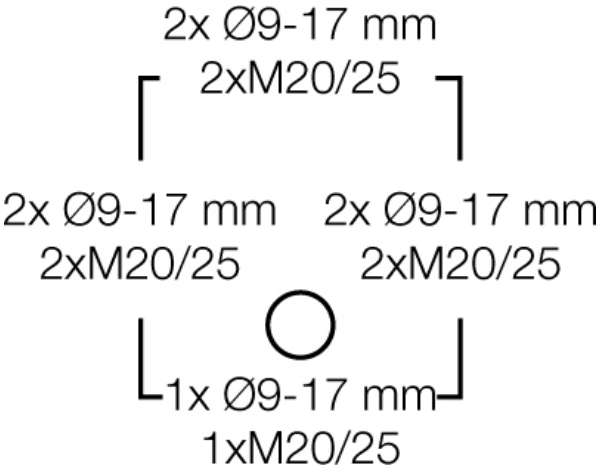
- 0.75-4 mm², Cu 3~

IP
66

Detail mass




Box walls



Operating and ambient conditions

| | |
|---|--|
| Application area | Suitable for indoor installation and outdoor installation, protected against weather influences |
| Ambient temperature | Average value over 24 hours + 35 °C Maximum value + 40 °C Minimum value - 25 °C |
| Relative humidity | 50% at 40° C short-time 100% at 25° C |
| Fire protection in the event of internal faults | Demands placed on electrical devices from standards and laws Minimum requirements - Glow wire test in accordance with IEC 60695-2-11: - 650°C for boxes and cable glands - 850°C for parts of insulating material necessary to retain current carrying parts in position |

With plug-in terminals for copper conductors

| | | |
|---|--|---|
|  | <p>DK 0404 W</p> <ul style="list-style-type: none"> • 0.75-4 mm², Cu 3~ |  |
|---|--|---|

| | |
|---|---|
| <p>Burning behaviour</p> | <p>Glow wire test IEC 60695-2-11: 750 °C UL Subject 94: V-2 flame-retardant self-extinguishing</p> |
| <p>Degree of protection against mechanical load</p> | <p>IK07 (2 Joule)</p> |
| <p>Toxic behaviour</p> | <p>halogen-free silicone-free "halogen-free" in accordance with the examination of the cables and insulated wires - corrosiveness of fumes - as per IEC 60754-2</p> |
| <p>Note:</p> | <p>For material properties see technical data.</p> |