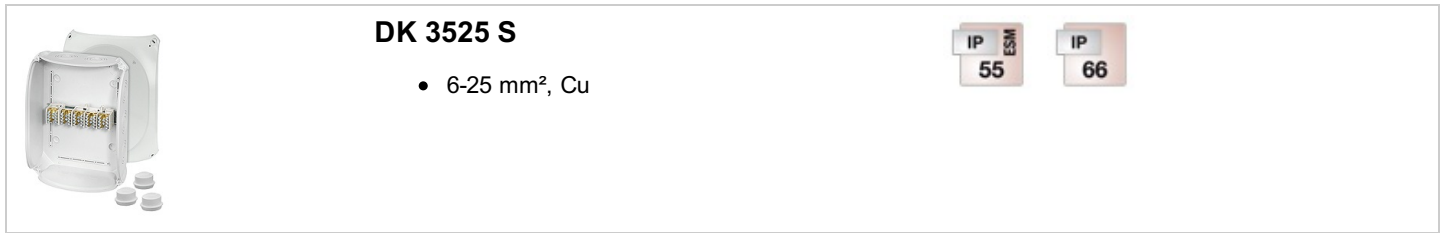


## Main line branch terminals



### DK 3525 S

- 6-25 mm<sup>2</sup>, Cu

IP 55 ESM

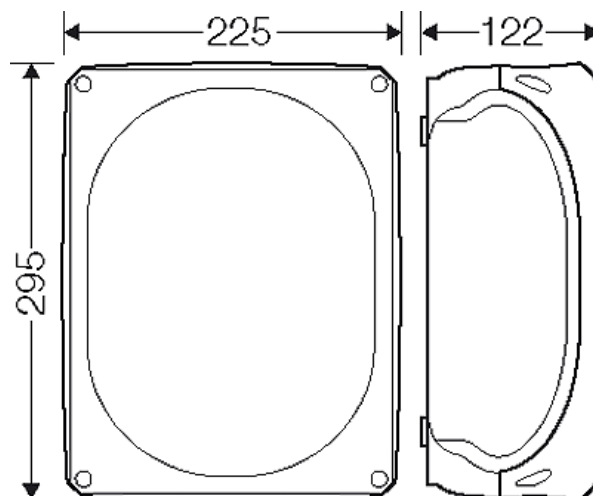
IP 66

- with main line branch terminals for copper conductors
- 5-pole, per pole terminals for incoming cables 10-25 mm<sup>2</sup> r, 6-16 mm<sup>2</sup> f, with end ferrule, terminals for outgoing cables 6-16 mm<sup>2</sup> r, 4-10 mm<sup>2</sup> f with end ferrule
- lid fasteners sealable without accessories
- included cable entry: 3 x ESM 40, sealing range Ø 17-30 mm
- with two cable entries M 32 from the rear side
- external brackets for wall fixing included
- colour: grey, RAL 7035

|                                |  |
|--------------------------------|--|
| rated insulation voltage       | U <sub>i</sub> = 400 V a.c.                          |
| rated current:                 | 80 A   |
| material                       | PC (Polycarbonate)                                   |
| degree of protection           | IP 55 (ESM)  |
| degree of protection           | IP 66 (AKM)  |
| width                          | 295 mm   |
| height                         | 225 mm   |
| depth                          | 122 mm   |
| weight                         | 1,668 kg   |
| tightening torque for terminal | 3,0 Nm Zuleitungsklemmen<br>3,0 Nm Ableitungsklemmen |
| VNB approval                   | Vattenfall-Berlin                                    |

## Drawings

Dimension drawing



Main line branch terminals

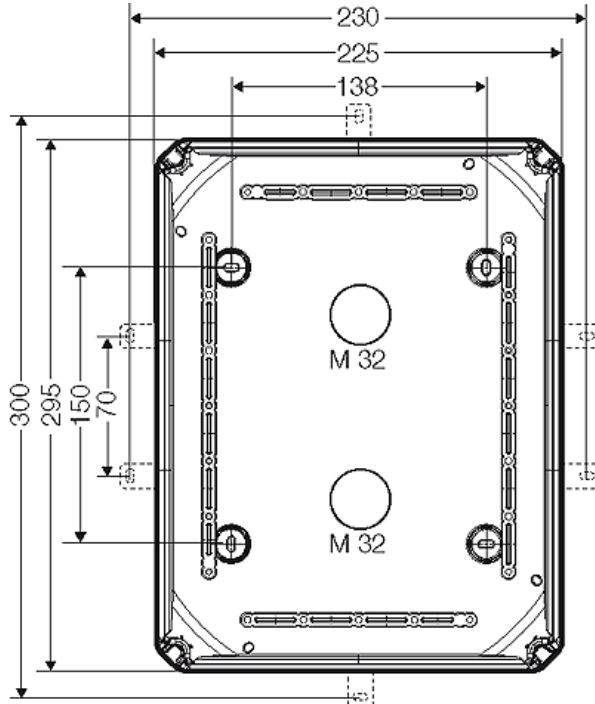


**DK 3525 S**

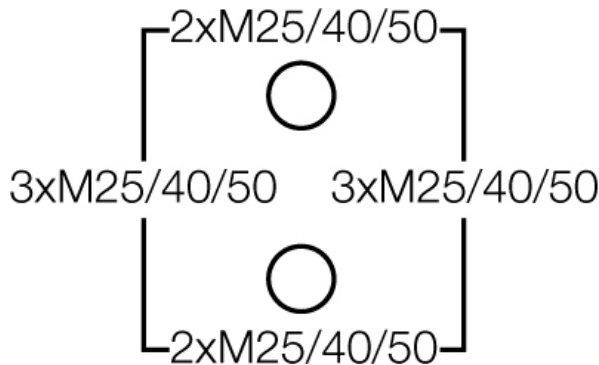
- 6-25 mm<sup>2</sup>, Cu

|    |     |
|----|-----|
| IP | ESM |
| 55 | 66  |

Detail mass



Box walls



**Operating and ambient conditions**

|   |  |
|---|--|
| Application area                                | Suitable for indoor installation and outdoor installation, protected against weather influences  |
| Ambient temperature                             | Average value over 24 hours + 35 °C<br>Maximum value + 40 °C<br>Minimum value - 25 °C  |
| Relative humidity                               | 50% at 40° C short-time<br>100% at 25° C   |
| Fire protection in the event of internal faults | Demands placed on electrical devices from standards and laws<br>Minimum requirements<br>- Glow wire test in accordance with IEC 60695-2-11:<br>- 650°C for boxes and cable glands<br>- 850°C for parts of insulating material necessary to retain current carrying parts in position |
| Burning behaviour                               | Glow wire test IEC 60695-2-11: 750 °C  |

Main line branch terminals



**DK 3525 S**

- 6-25 mm<sup>2</sup>, Cu

|    |     |
|----|-----|
| IP | ESM |
| 55 |     |

|    |
|----|
| IP |
| 66 |

UL Subject 94: V-2  
 flame-retardant  
 self-extinguishing

Degree of protection against mechanical load      IK07 (2 Joule)

Toxic behaviour      halogen-free  
 silicone-free  
 "halogen-free" in accordance with the examination of the cables  
 and insulated wires - corrosiveness of fumes - as per IEC 60754-2

Note:      For material properties see technical data.