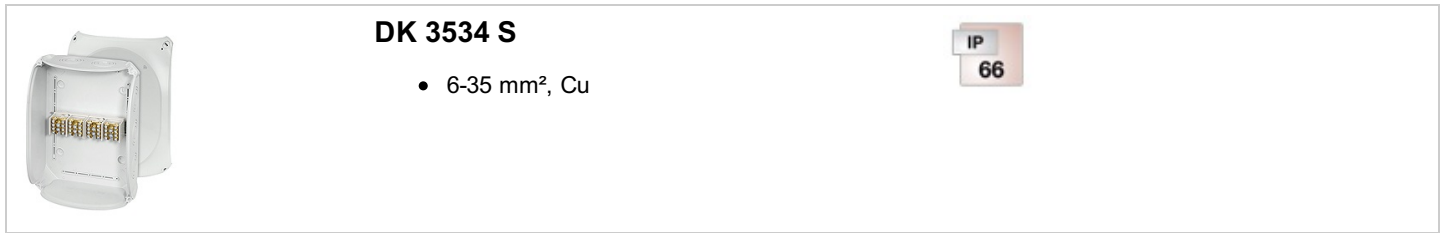


Main line branch terminals



DK 3534 S

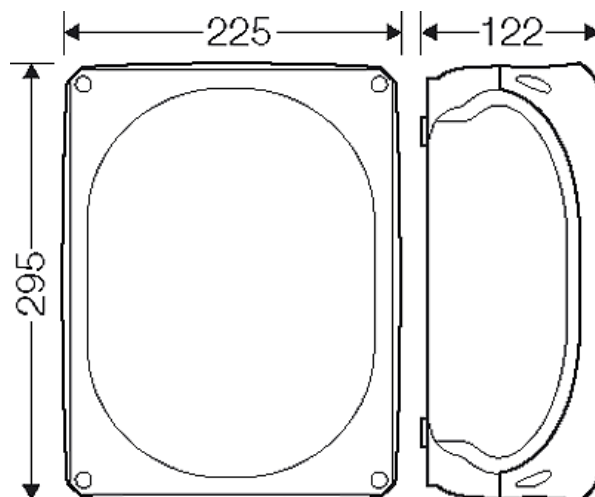
- 6-35 mm², Cu

IP
66

- with main line branch terminals for copper conductors
- 4-pole per pole terminals for incoming cables: 16-35 mm² r, 10-25 mm² f, with end ferrule, terminals for outgoing cables: 10-25 mm² r, 6-16 mm² f with end ferrule
- lid fasteners sealable without accessories
- cable entries via knockouts, order AKM separately (see cable entry systems LES)
- with two cable entries M 32 from the rear side
- external brackets for wall fixing included
- colour: grey, RAL 7035


rated insulation voltage	U _i = 400 V a.c.
rated current:	100 A
material	PC (Polycarbonate)
degree of protection	IP 66
width	295 mm
height	225 mm
depth	122 mm
weight	1,659 kg
tightening torque for terminal	4,0 Nm Zuleitungsklemmen 3,0 Nm Ableitungsklemmen

Drawings



Dimension drawing

Main line branch terminals

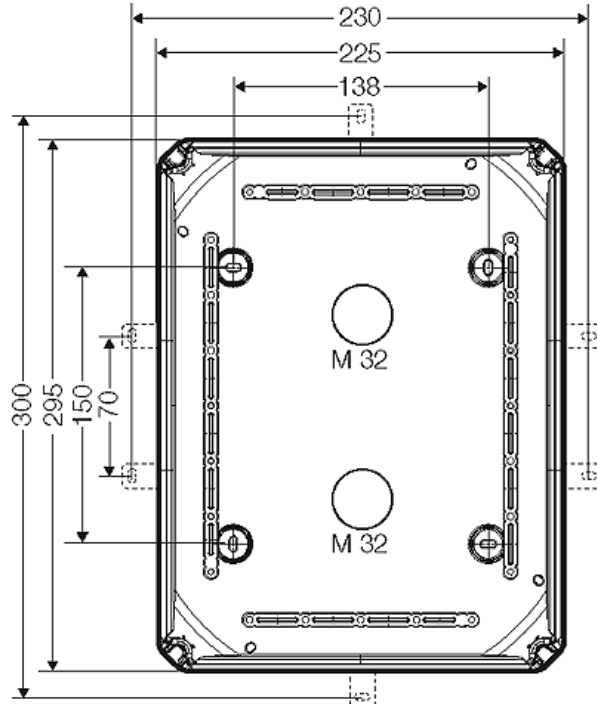


DK 3534 S

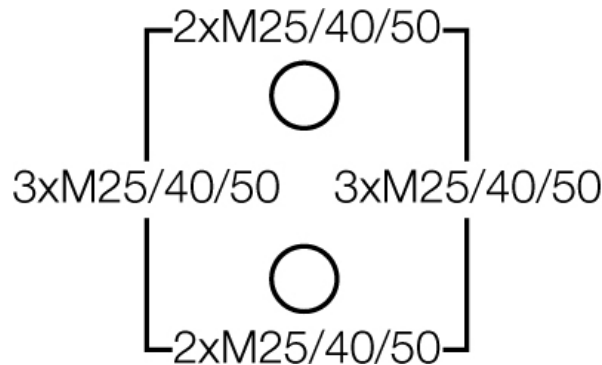
- 6-35 mm², Cu

IP
66

Detail mass



Box walls



Operating and ambient conditions

Application area	Suitable for indoor installation and outdoor installation, protected against weather influences
Ambient temperature	Average value over 24 hours + 35 °C Maximum value + 40 °C Minimum value - 25 °C
Relative humidity	50% at 40° C short-time 100% at 25° C
Fire protection in the event of internal faults	Demands placed on electrical devices from standards and laws Minimum requirements - Glow wire test in accordance with IEC 60695-2-11: - 650°C for boxes and cable glands - 850°C for parts of insulating material necessary to retain current carrying parts in position
Burning behaviour	Glow wire test IEC 60695-2-11: 750 °C

Main line branch terminals

	<p>DK 3534 S</p> <ul style="list-style-type: none"> • 6-35 mm², Cu 	
--	---	---

	UL Subject 94: V-2 flame-retardant self-extinguishing
Degree of protection against mechanical load	IK07 (2 Joule)
Toxic behaviour	halogen-free silicone-free "halogen-free" in accordance with the examination of the cables and insulated wires - corrosiveness of fumes - as per IEC 60754-2
Note:	For material properties see technical data.