


Main line branch terminals



DK 5035 S

- 6-35 mm², Cu

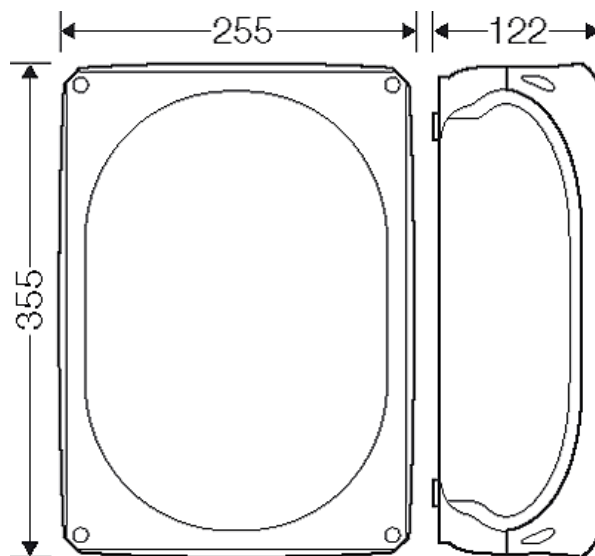
IP
66

- with main line branch terminals for copper conductors
- 5-pole per pole incoming terminals 16-35 mm² r, 10-25 mm² f, with end ferrule, outgoing cables 10-25 mm² r, 6-16 mm² f with end ferrule
- lid fasteners sealable without accessories
- cable entries via knockouts, order AKM separately (see cable entry systems LES)
- with two cable entries M 32 from the rear side
- external brackets for wall fixing included
- colour: grey, RAL 7035

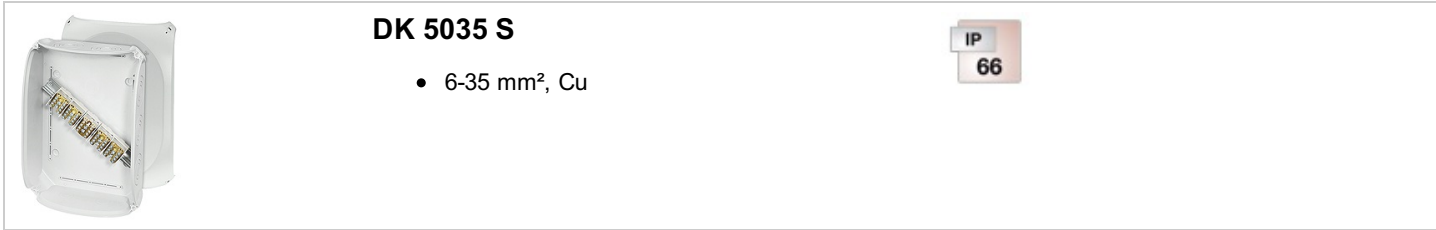
rated insulation voltage	U _i = 400 V a.c.
rated current:	100 A
material	PC (Polycarbonate)
degree of protection	IP 66
width	355 mm
height	255 mm
depth	122 mm
weight	2,172 kg
tightening torque for terminal	4,0 Nm Zuleitungsklemmen 3,0 Nm Ableitungsklemmen
VNB approval	Vattenfall-Berlin

Drawings

Dimension drawing



Main line branch terminals

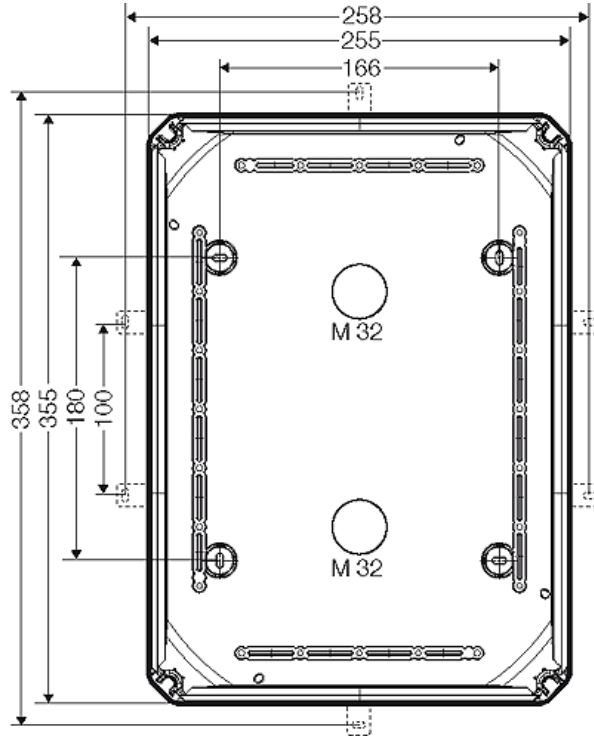


DK 5035 S

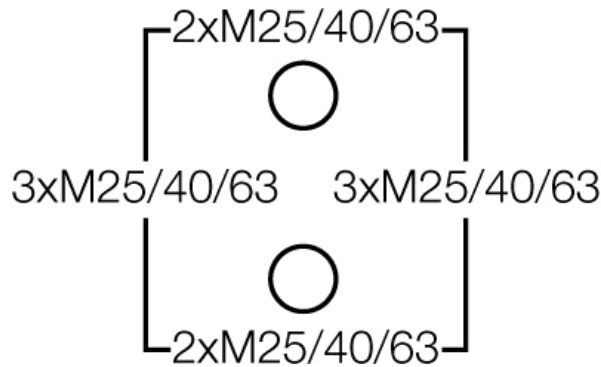
- 6-35 mm², Cu

IP
66

Detail mass




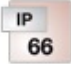
Box walls



Operating and ambient conditions

Application area	Suitable for indoor installation and outdoor installation, protected against weather influences
Ambient temperature	Average value over 24 hours + 35 °C Maximum value + 40 °C Minimum value - 25 °C
Relative humidity	50% at 40° C short-time 100% at 25° C
Fire protection in the event of internal faults	Demands placed on electrical devices from standards and laws Minimum requirements - Glow wire test in accordance with IEC 60695-2-11: - 650°C for boxes and cable glands - 850°C for parts of insulating material necessary to retain current carrying parts in position

Main line branch terminals

	<p>DK 5035 S</p> <ul style="list-style-type: none"> • 6-35 mm², Cu 	
--	---	---

<p>Burning behaviour</p>	<p>Glow wire test IEC 60695-2-11: 750 °C UL Subject 94: V-2 flame-retardant self-extinguishing</p>
<p>Degree of protection against mechanical load</p>	<p>IK07 (2 Joule)</p>
<p>Toxic behaviour</p>	<p>halogen-free silicone-free "halogen-free" in accordance with the examination of the cables and insulated wires - corrosiveness of fumes - as per IEC 60754-2</p>
<p>Note:</p>	<p>For material properties see technical data.</p>