



### Empty boxes



**FP 0451**

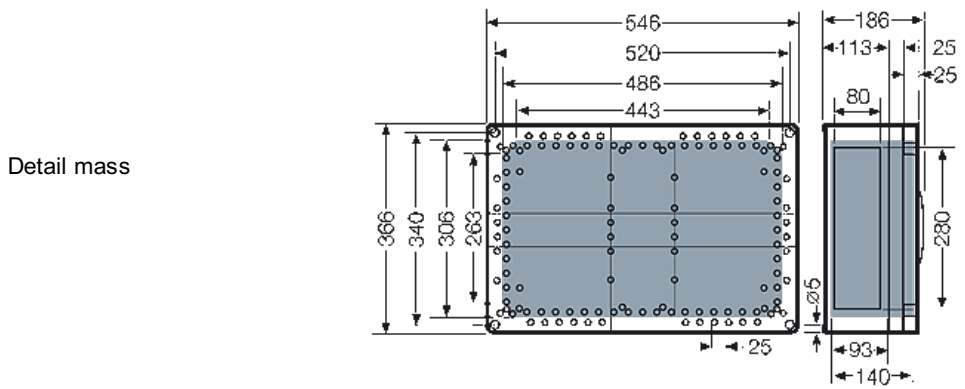
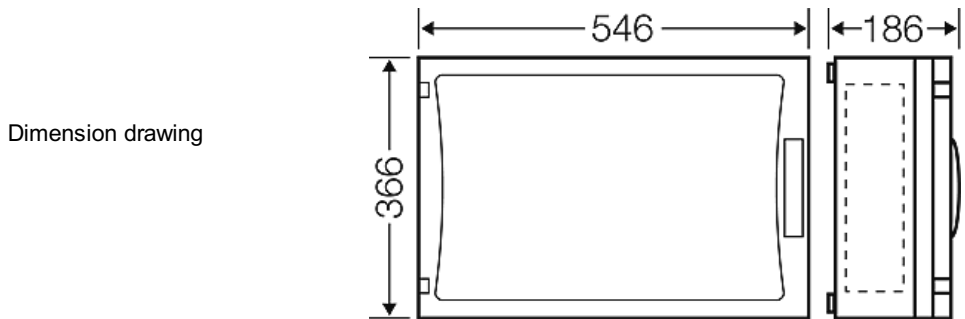
- Built-in dimensions W 486 x H 306 x D 140 mm
- door locking with hand operation
- with closing plates for box walls



- max. installation depth with built-in mounting plate 136 mm, with built-in DIN rail 125 mm
- with opaque door
- box size 4
- door locking sealable
- please order DIN rails, mounting plates or covers additionally
- connector: 6 items
- order flanges separately
- material: PC (polycarbonate)
- protection class: II
- colour: grey, RAL 7035

width	546 mm
height	366 mm
depth	186 mm
weight	4,532 kg

### Drawings




Box walls



### Operating and ambient conditions


Application area	Suitable for indoor installation and outdoor installation, protected against weather influences
------------------	---

Empty boxes



**FP 0451**

- Built-in dimensions W 486 x H 306 x D 140 mm
- door locking with hand operation
- with closing plates for box walls



	However, pay attention to the climatic effects on the installed equipment , for example, high or low ambient temperatures or formation of condensed water see technical information
Ambient temperature	Maximum value + 70 °C Minimum value - 25 °C
Fire protection in the event of internal faults	Demands placed on electrical devices from standards and laws Minimum requirements - Glow wire test in accordance with IEC 60695-2-11: - 650°C for boxes and cable glands - 850°C for parts of insulating material necessary to retain current carrying parts in position
Burning behaviour	Glow wire test IEC 60695-2-11: 960 °C UL Subject 94: V-2 flame-retardant self-extinguishing
Degree of protection against mechanical load	IK08 (5 Joule)
Toxic behaviour	halogen-free silicone-free "halogen-free" in accordance with the examination of the cables and insulated wires - corrosiveness of fumes - as per IEC 60754-2
Note:	Additional information for protected outdoor installation: - In order to keep the maximum permissible ambient temperature of the installed equipment as well for the prevention from condensation additional measures as ventilation and/or heating may be necessary. For material properties see technical data.