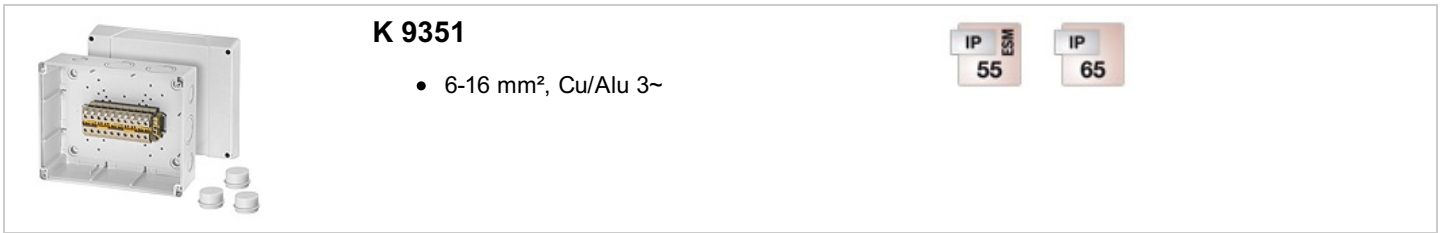


For aluminium (Alu) and copper (Cu) conductors



K 9351

- 6-16 mm², Cu/Alu 3~

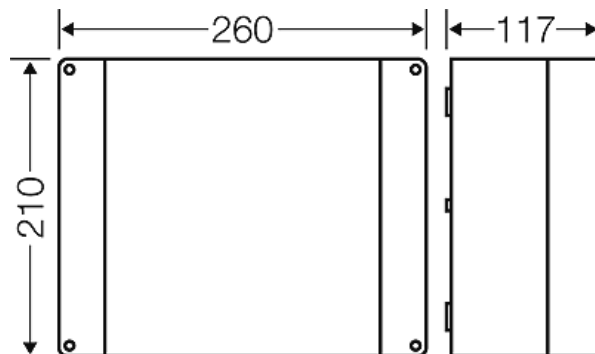


- Replaced by DK 2516 A from 31.12.2017
- with terminals
- 5-pole per polel 4 x 6 mm² sol/f, 4 x 10 mm² sol/f, 4 x 16 mm² sol/s/f, conductors are inserted into the screw-type terminal, terminal technology, see annex DK Cable junction boxes
- included cable entry: 3 x ESM 40, sealing range Ø 17-30 mm
- to achieve the degree IP 54 with twisted cables, it is absolutely necessary to use cable glands
- Before connecting, aluminum conductors must be pre-treated according to the appropriate technical recommendations, see technical information aluminum conductors
- for normal environment and protected outdoor
- colour: grey, RAL 7035

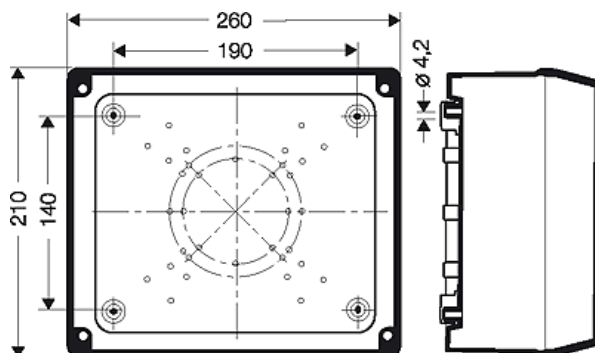
rated insulation voltage	U _i = 690 V a.c./d.c.
rated current:	76 A
tightening torque for terminal	3.0 Nm
material	PS (Polystyrene)
degree of protection	IP 55 (ESM)
degree of protection	(see cable entry systems LES) IP 65
width	210 mm
height	260 mm
depth	117 mm
weight	1,252 kg

Drawings


Dimension drawing



Detail mass



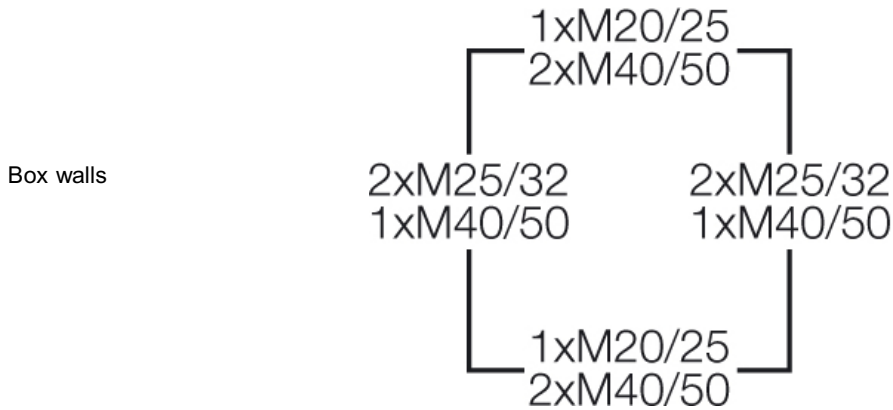
For aluminium (Alu) and copper (Cu) conductors



K 9351

- 6-16 mm², Cu/Alu 3~

IP	ESM	IP
55		65



Operating and ambient conditions

Application area	Suitable for indoor installation and outdoor installation, protected against weather influences
Resistant to occasional cleaning procedures (direct jet)	Resistant to occasional cleaning procedures (direct jet) with high-pressure cleaner without additives, water pressure: max. 100 bar, water temperature: max. 80° C, distance => 0,15 m, in accordance with the requirements IP 69, enclosure and cable glands at least IP 65
Ambient temperature	Average value over 24 hours + 35 °C Maximum value + 40 °C Minimum value - 25 °C
Relative humidity	50% at 40° C short-time 100% at 25° C
Fire protection in the event of internal faults	Demands placed on electrical devices from standards and laws Minimum requirements - Glow wire test in accordance with IEC 60695-2-11: - 650°C for boxes and cable glands - 850°C for parts of insulating material necessary to retain current carrying parts in position
Burning behaviour	Glow wire test IEC 60695-2-11: 750 °C UL Subject 94: V-2 flame-retardant self-extinguishing
Degree of protection against mechanical load	IK07 (2 Joule)
Toxic behaviour	halogen-free silicone-free "halogen-free" in accordance with the examination of the cables and insulated wires - corrosiveness of fumes - as per IEC 60754-2
Note:	For material properties see technical data.