


**For aluminium (Alu) and copper (Cu) conductors**



**K 9951**

- 6-95 mm<sup>2</sup>, Cu/Alu 3~

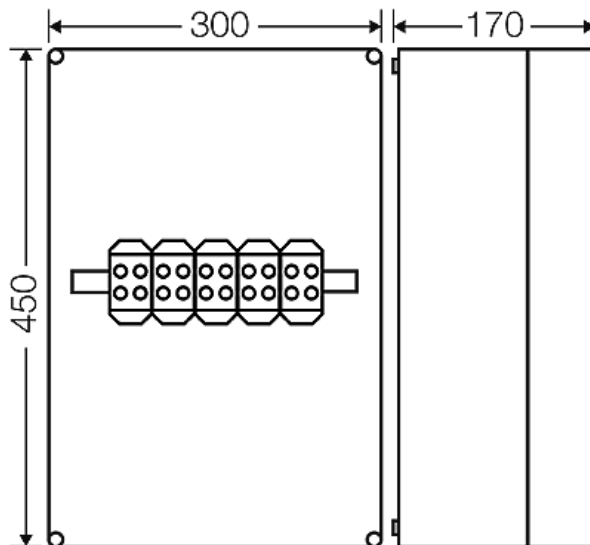
IP  
65

- with terminals
- 5-pole per pole 4 x 6-95 mm<sup>2</sup>, conductors are inserted into the screw-type terminal, terminal technology, see annex DK Cable junction boxes
- order cable glands, flanges and other accessories separately as required
- Before connecting, aluminum conductors must be pre-treated according to the appropriate technical recommendations, see technical information aluminum conductors
- for normal environment and protected outdoor
- colour: grey, RAL 7035


rated insulation voltage	U <sub>i</sub> = 690 V a.c./d.c.
rated current:	Cu 490 A Al 440 A
material	PC (Polycarbonate)
degree of protection	IP 65
width	300 mm
height	450 mm
depth	170 mm
weight	3,38 kg
tightening torque for terminal	12,0 Nm 6 - 25 mm <sup>2</sup> 22,0 Nm 35 - 95 mm <sup>2</sup>

**Drawings**

Dimension drawing



For aluminium (Alu) and copper (Cu) conductors

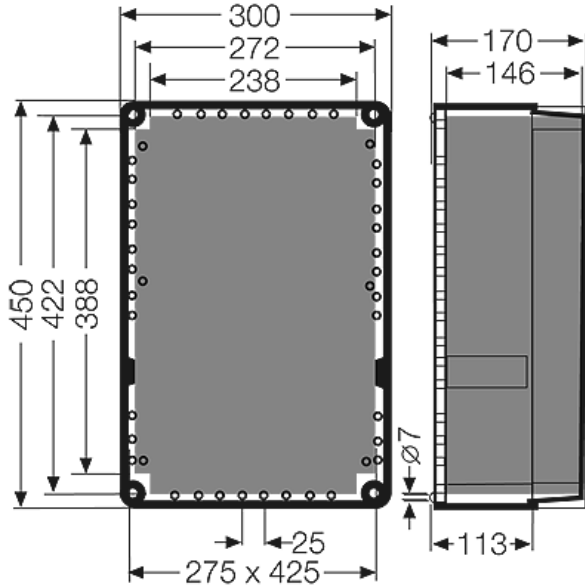


**K 9951**

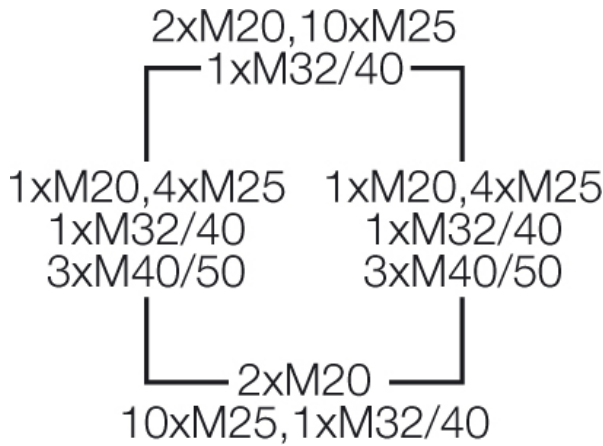
- 6-95 mm<sup>2</sup>, Cu/Alu 3~

IP  
65

Detail mass





Box walls



**Operating and ambient conditions**

Application area	Suitable for indoor installation and outdoor installation, protected against weather influences
Resistant to occasional cleaning procedures (direct jet)	Resistant to occasional cleaning procedures (direct jet) with high-pressure cleaner without additives, water pressure: max. 100 bar, water temperature: max. 80° C, distance => 0,15 m, in accordance with the requirements IP 69, enclosure and cable glands at least IP 65
Ambient temperature	Average value over 24 hours + 35 °C Maximum value + 40 °C Minimum value - 25 °C
Relative humidity	50% at 40° C short-time 100% at 25° C
Fire protection in the event of internal faults	Demands placed on electrical devices from standards and laws Minimum requirements - Glow wire test in accordance with IEC 60695-2-11:

For aluminium (Alu) and copper (Cu) conductors

	<p><b>K 9951</b></p> <ul style="list-style-type: none"> <li>• 6-95 mm<sup>2</sup>, Cu/Alu 3~</li> </ul>	
---	---	---

	<ul style="list-style-type: none"> <li>- 650°C for boxes and cable glands</li> <li>- 850°C for parts of insulating material necessary to retain current carrying parts in position</li> </ul>
<p>Burning behaviour</p>	<p>Glow wire test IEC 60695-2-11: 960 °C          UL Subject 94: V-2          flame-retardant          self-extinguishing</p>
<p>Degree of protection against mechanical load</p>	<p>IK08 (5 Joule)</p>
<p>Toxic behaviour</p>	<p>halogen-free          silicone-free          "halogen-free" in accordance with the examination of the cables and insulated wires - corrosiveness of fumes - as per IEC 60754-2</p>
<p>Note:</p>	<p>For material properties see technical data.</p>