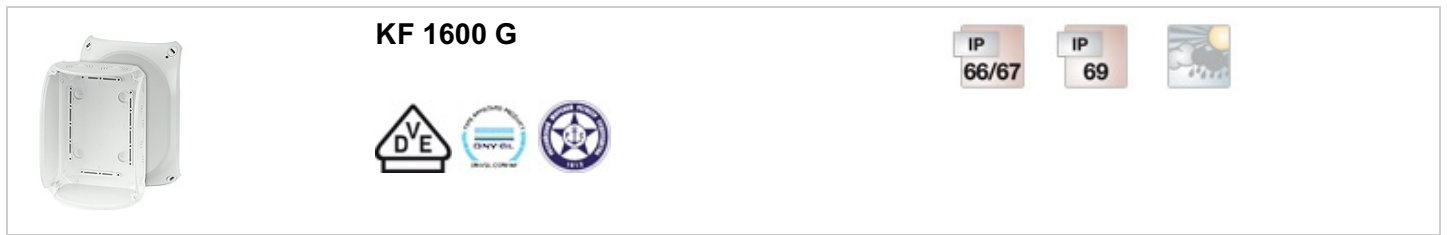


”Weatherproof“ for outdoor installation

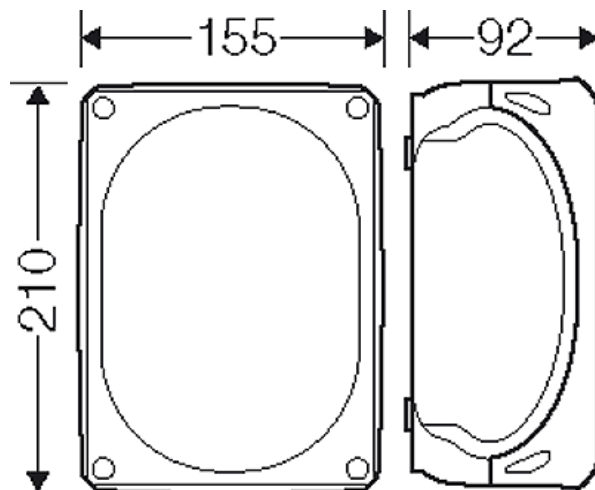


- without terminals
- with two cable entries M 32 from the rear side
- cable entries via knockouts, order AKM separately (see cable entry systems LES)
- "weatherproof" resistant to weather influences (UV due to solar radiation, protected against rainwater, temperature resistant, impact resistant, etc.)
- saltwater-proof
- "offshore applications"
- lid fasteners sealable without accessories
- external brackets for wall fixing included
- colour: grey, RAL 7035

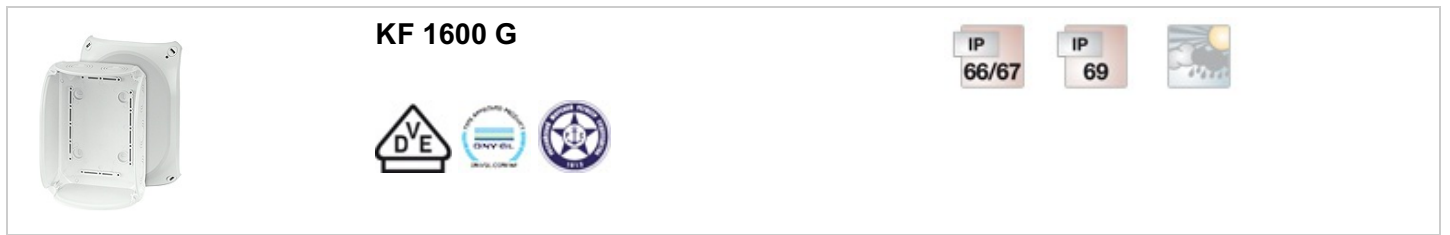
| | |
|--------------------------|--|
| rated insulation voltage | U _i = 1000 V a.c./d.c. |
| material | PC-GFS (polycarbonate) |
| degree of protection | IP 66 / IP 67 / IP 69 IP 67, temporary submersion IP 69, water pressure max. 100 bar, water temperature max. 80 °C, distance ≥ 0.15 m |
| mounting width | 175 mm |
| mounting height | 120 mm |
| max. installation depth | 76 mm |
| width | 210 mm |
| height | 155 mm |
| depth | 92 mm |
| weight | 0,414 kg |
| in accordance with | IEC 60670-22 |
| in accordance with | DNV GL - Certificate No: TAE0000EE Russian Maritime Register of Shipping, technical documentation is approved by the letter No. 250-A-1180-108795 |

Drawings

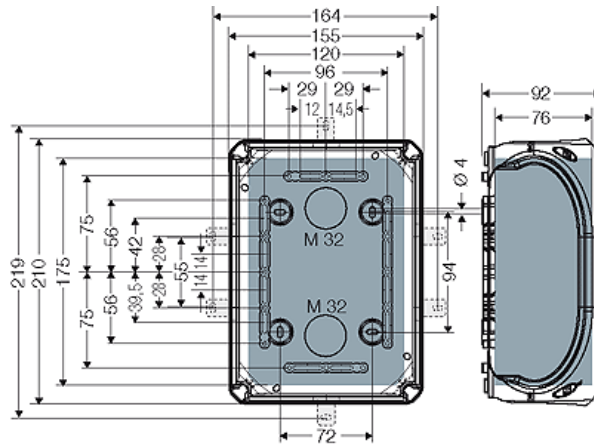
Dimension drawing



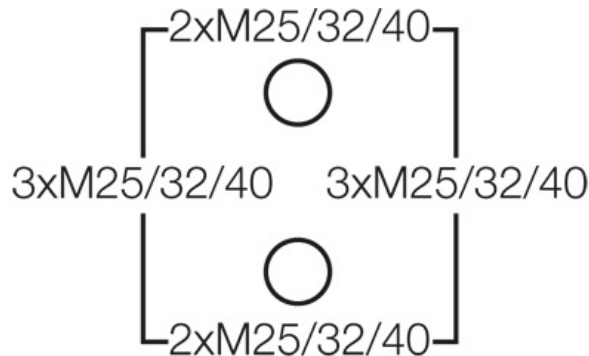
”Weatherproof“ for outdoor installation



Detail mass



Box walls



Operating and ambient conditions

| | |
|--|---|
| Application area | Suitable for for outdoor installation (harsh environment and/or outdoor). To reduce the formation and accumulation of condensed water see technical information. |
| Resistant to occasional cleaning procedures (direct jet) | Resistance to occasional cleaning procedures (direct jet) with high-pressure cleaner without cleaning additives, water pressure: max 100 bar, water temperature: max 80 °C, distance ≥ 0.15 m, in accordance with DIN EN 60529:2014-09 (IEC 60529:2013) = IP 69. Only with cable entries HENSEL AKM or ASS. |
| Ambient temperature | Average value over 24 hours + 55 °C Maximum value + 70 °C Minimum value - 25 °C |
| Fire protection in the event of internal faults | Demands placed on electrical devices from standards and laws Minimum requirements - Glow wire test in accordance with IEC 60695-2-11: - 650°C for boxes and cable glands - 850°C for parts of insulating material necessary to retain current carrying parts in position |
| Burning behaviour | Glow wire test IEC 60695-2-11: 960 °C UL Subject 94: V-0 flame-retardant self-extinguishing |
| Degree of protection against mechanical load | IK09 (10 Joule) |

"Weatherproof" for outdoor installation

| | | | | |
|--|------------------|--|--|--|
| | KF 1600 G | | | |
| | | | | |

Toxic behaviour

halogen-free
silicone-free
"halogen-free" in accordance with the examination of the cables and insulated wires - corrosiveness of fumes - as per IEC 60754-2

Note:

For material properties see technical data.