



Illuminated  
mushroom head  
button actuators -  
For emergency  
stopping  
LPCBL66

Product designation

Product type designation

General characteristics

|                          |                          |
|--------------------------|--------------------------|
| Colour                   | Red                      |
| Type of positions        | Mushroom head pushbutton |
| Material                 | Polyamide                |
| IEC degree of protection | IP66, IP67 and IP69K     |

Mechanical features

|   |        |                |
|---|--------|----------------|
| Operating force                           | kg-lb  | <0.5Kg / 1.1lb |
| Mechanical life - spring return actuators | cycles | 5000000        |
| Mounting adapter                          |        | LPXAU120       |
| Weight                                    | g      | 40             |

UL technical data

|                         |                              |
|-------------------------|------------------------------|
| UL degree of protection | Type1, 2, 3R, 4, 4X, 12, 12K |
|-------------------------|------------------------------|

Ambient conditions

Temperature

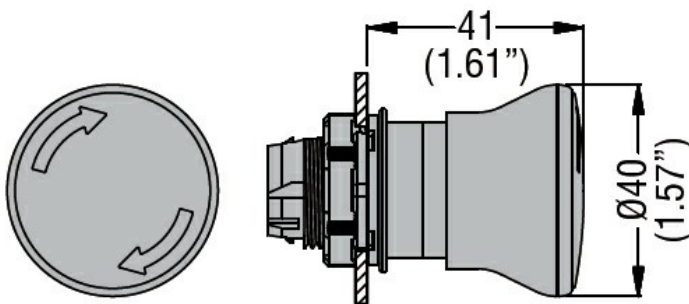
Operating temperature

|     |    |     |
|-----|----|-----|
| min | °C | -25 |
| max | °C | +70 |

Storage temperature

|     |    |     |
|-----|----|-----|
| min | °C | -40 |
| max | °C | +85 |

Dimensions



Certifications and compliance

Compliance

CSA C22.2 n° 14  
IEC/EN/BS 60947-1  
IEC/EN/BS 60947-5-1  
UL508

---

Certificates

CCC

---

cULus

---

EAC

---

RINA

---

UL

ETIM classification

ETIM 8.0

EC001038 -  
Front element for  
mushroom push-  
button