



Level control relay for emptying function. Single voltage. Modular version LVM20 Emptying

Product designation

Product type designation

Function

Auxiliary supply

Supply voltage Type Single voltage

Rated auxiliary supply voltage U_s
AC

min VAC 24

Operating voltage range 0.85...1.1 U_s

Rated frequency Hz 50/60

Power consumption Max VA 3.5

Power dissipation Max W 1.8

Output characteristics

Number of connectable electrodes Nr. 3

Type of electrode

Electrode and electrode holders: SN1 / SCM / CGL / PS31 / PS3S or similar

Electrode voltage 7.5 VAC

Sensitivity kohm 2.5...50 adjustable

Time delay

Tripping time s ≤ 0.6

Resetting time s ≤ 0.75

Relay outputs

Number of relays Nr. 1

Relay state

Normally de-energised, energises at tripping

Contact arrangement

1 changeover contact C/O-SPDT

Rated operational voltage AC (IEC) VAC 250

Maximum switching voltage VAC 400

IEC Conventional free air thermal current I_{th} A 8

UL/CSA and IEC/EN 60947-5-1 designation B300

Electrical life (with rated load) cycles 10^5

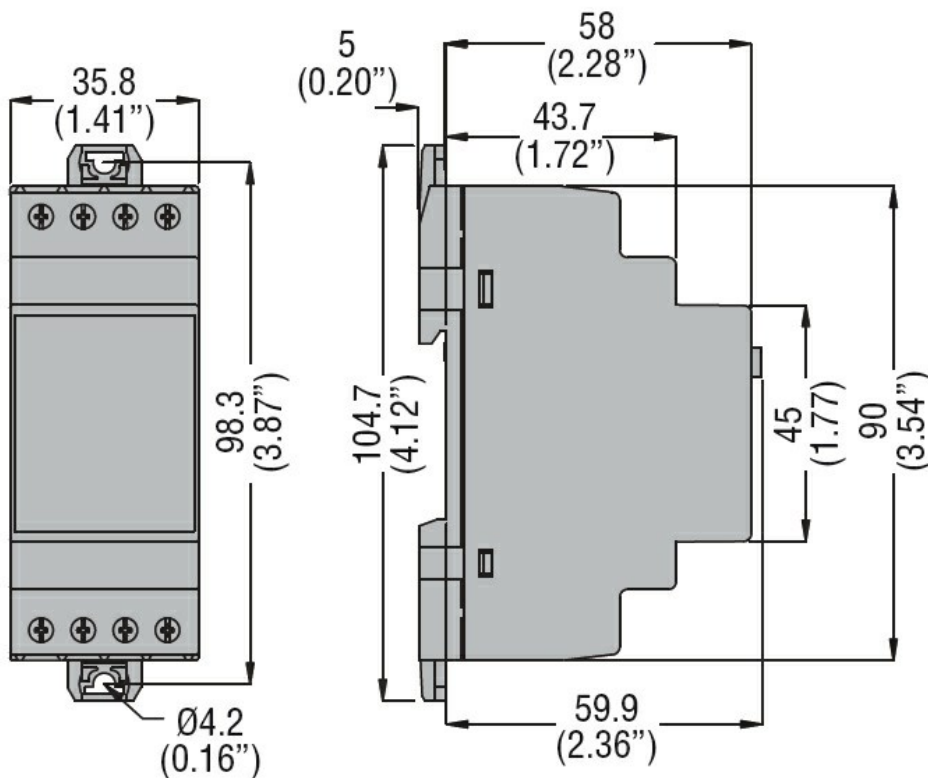
Mechanical life cycles 30×10^6

Indications

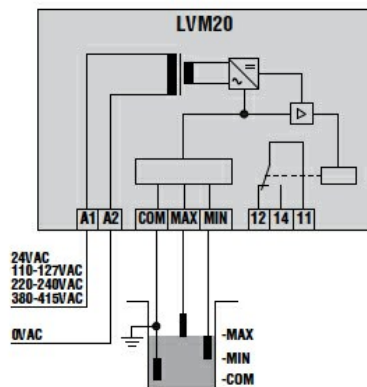
Indication				1 green LED for power on 1 red LED for relay state
Functions				
3 detecting electrodes (MIN, MAX and COM)				Yes
5 detecting electrodes (MIN1, MAX1, MIN2, MAX2 and COM)				No
Sensitivity adjustment 2.5...50k Ω				Yes
Sensitivity adjustment 2.5...100k Ω				No
Sensitivity adjustment 2.5...200k Ω				No
Adjustable sensitivity full-scale value 25-50-100-200 k Ω				No
Separate sensitivity adjustment for MAX probe (foam detection)				No
Emptying function				Yes
Filling function				No
Emptying function with MIN and/or MAX alarm				No
Filling function with MIN and/or MAX alarm				No
Emptying function with pump priority change				No
Filling function with pump priority change				No
Tank filling, well drawing and alarm				No
Filling-emptying adjustment selector				No
Programming selector for 5 different				No
Motor start-up priority change				No
Connections				
Terminals type				Screw
Tightening torque for terminals		max	Nm	0.8
		max	Ibin	7
Conductor cross section		min	AWG	24
		Max	AWG	12
		min	mm ²	0.2
		Max	mm ²	4
Insulations				
Rated insulation voltage U_i		V		415
Rated impulse withstand voltage U_{imp}		kV		6
Operating frequency withstand voltage		kV		4
Double insulation Supply / relay / electrode		VAC		≤ 250
Ambient conditions				
Temperature				
	Operating temperature	min	$^{\circ}\text{C}$	-20
		max	$^{\circ}\text{C}$	+60
	Storage temperature	min	$^{\circ}\text{C}$	-30
		max	$^{\circ}\text{C}$	+80
Housing				
Execution				Modular DIN rail mounting
N° of modules				2
Material				Self-extinguishing polyamide

Mounting	35mm DIN rail (IEC/EN 60715) or by screws using extractable clips	
IEC degree of protection	IP40 on front / IP20 on terminals	
Dimensions (W x H x D)	mm	35.8 x 104.7 x 64.9
Weight	g	215

Dimensions



Wiring diagrams



Certifications and compliance

Compliance

- CSA C22.2 n° 14.
- IEC/EN 60255-5
- IEC/EN 61000-6-2
- IEC/EN 61000-6-3
- UL508

Certificates

cULus
EAC

ETIM classification

ETIM 8.0

EC001447 - (Fill)
level monitoring
relay