




LOVATO ELECTRIC S.P.A.
 24020 GORLE (BERGAMO) ITALIA
 VIA DON E. MAZZA, 12
 TEL. 035 4282111
 TELEFAX (Nazionale): 035 4282200
 TELEFAX (International): +39 035 4282400
 E-mail: info@LovatoElectric.com
 Web: www.LovatoElectric.com



- I** CONTATTORI
- GB** CONTACTORS
- D** SCHÜTZE
- CN** 接觸器產品.



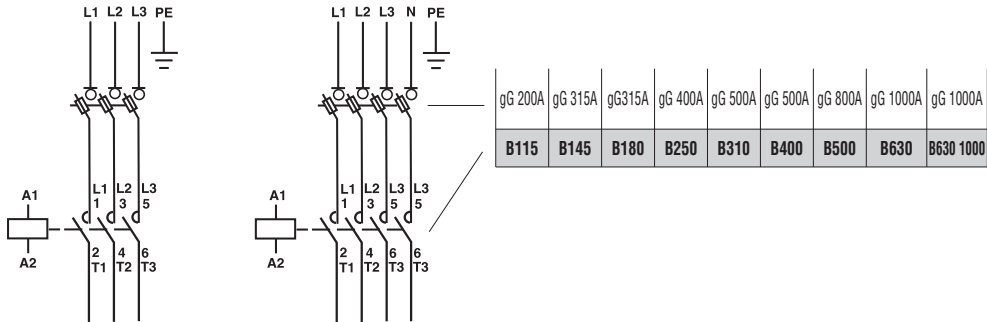
B115 - B145 - B180 - B250 - B310 - B400 - B500 - B630 - B630 1000

| | I _{th} AC1 | | |  [mm ²] | I _e AC3 [A] | I _e AC3 | | | | | | |
|------------------|---------------------|--------------|--------------|---------------------------------------------------------------------------------------------------------|---------------------------|--------------------|--------------|--------------|--------------|--------------|--------------|---------------|
| | ≤40°C [A] | ≤55°C [A] | ≤70°C [A] | | | 230V [kW] | 400V [kW] | 415V [kW] | 440V [kW] | 500V [kW] | 690V [kW] | 1000V [kW] |
| B115 | 160 | 150 | 110 | 70 | 110 | 33 | 61 | 66 | 70 | 80 | 100 | 63 |
| B145 | 250 | 235 | 190 | 120 | 150 | 46 | 80 | 88 | 93 | 100 | 120 | 75 |
| B180 | 275 | 250 | 200 | 150 | 185 | 57 | 100 | 108 | 115 | 123 | 144 | 103 |
| B250 | 350 | 300 | 250 | 185 | 265 | 83 | 140 | 155 | 164 | 176 | 212 | 156 |
| B310 | 450 | 370 | 300 | 2x150 2∅30x5 | 320 | 100 | 170 | 188 | 200 | 213 | 256 | 180 |
| B400 | 550 | 430 | 360 | 2x185 2∅25x8 | 420 | 130 | 225 | 247 | 263 | 271 | 352 | 208 |
| B500 | 700 | 550 | 500 | 2x240 2∅50x5 | 520 | 156 | 290 | 306 | 328 | 367 | 416 | 312 |
| B630 | 800 | 640 | 540 | 2x240 2∅50x5 | 630 | 198 | 335 | 368 | 368 | 368 | 440 | 368 |
| B630 1000 | 1000 | 850 | 700 | 2∅60x5 | — | — | — | — | — | — | — | — |

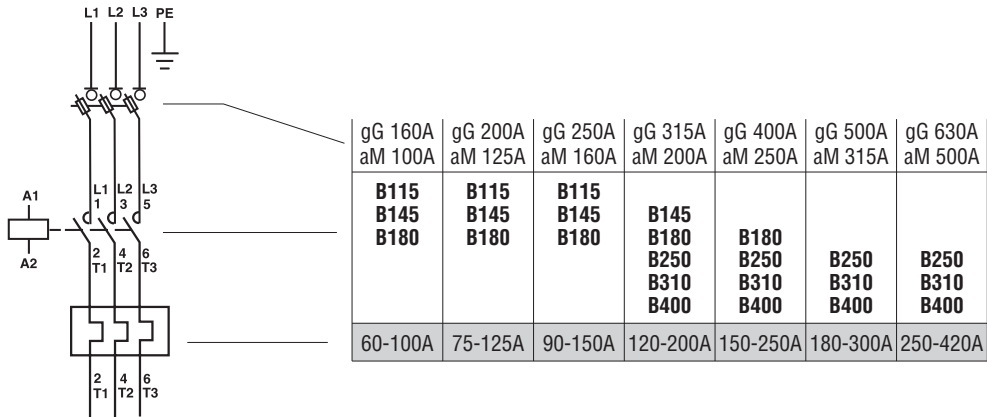
| | UL/CSA General (purpose) use [A] | UL/CSA Fuse class Type / [A] | UL/CSA Short circuit current [kA] | UL/CSA Three phase [HP] | | | |
|------------------|----------------------------------------------|------------------------------------|-----------------------------------------------|--------------------------|-------|-------|-------|
| | | | | 200-208V | 240V | 480V | 600V |
| B115 | 160 | RK5 / 500 | 5 | 30 | 40 | 75 | 100 |
| B145 | 250 | RK5 / 500 | 5 | 50 | 50 | 100 | 125 |
| B180 | 275 | RK5 / 500 | 10 | 60 | 75 | 150 | 150 |
| B250 | 350 | L / 800 | 18 | 75 | 100 | 200 | 250 |
| B310 | 450 | L / 800 | 18 | 100 | 125 | 250 | 300 |
| B400 | 550 | L / 800 | 18 | 125 | 150 | 350 | 400 |
| B500 ① | 700 | L / 1200 ① | 18 ① | 150 ① | 200 ① | 400 ① | 450 ① |
| B630 ① | 800 | L / 1500 ① | 18 ① | 200 ① | 250 ① | 500 ① | 500 ① |
| B630 1000 | 1000 | L / 1500 ① | 18 ① | For resistive duty only. | | | |

① No UL/CSA ratings for indication and reference purposes only.

13700720
1010 I GBD CN 04 16

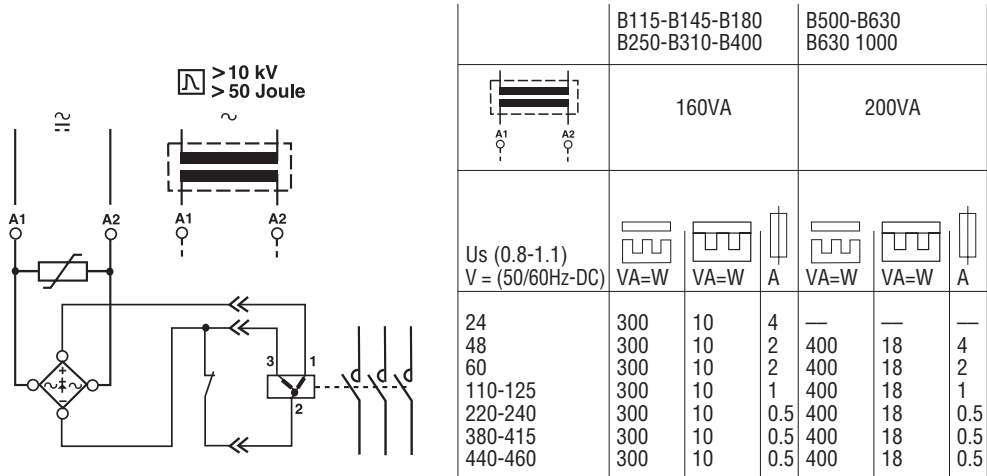


| | | | | | | | | |
|-------------|-------------|-------------|-------------|-------------|-------------|-------------|-------------|------------------|
| gG 200A | gG 315A | gG315A | gG 400A | gG 500A | gG 500A | gG 800A | gG 1000A | gG 1000A |
| B115 | B145 | B180 | B250 | B310 | B400 | B500 | B630 | B630 1000 |



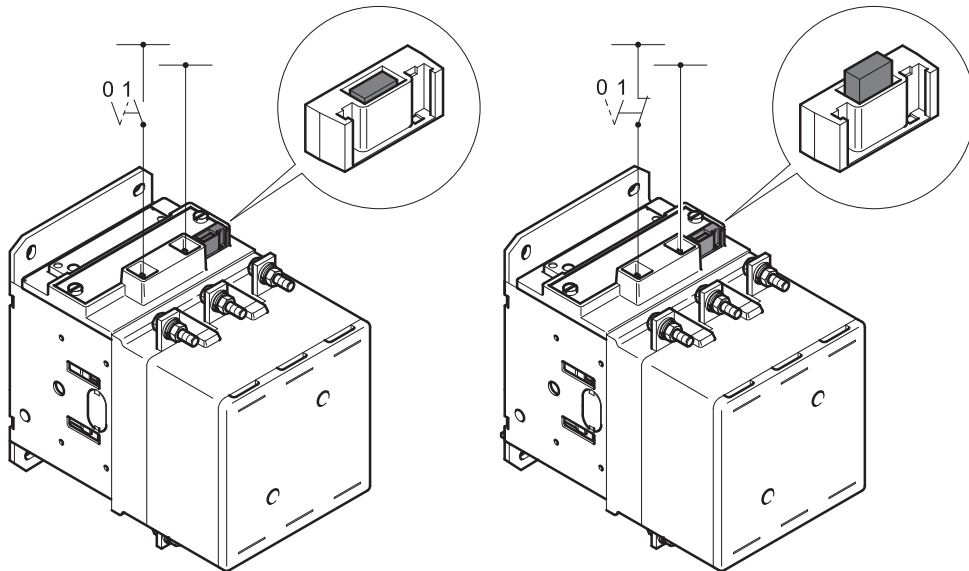
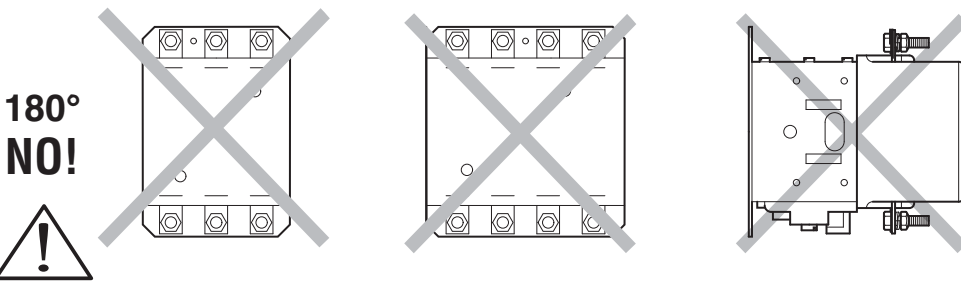
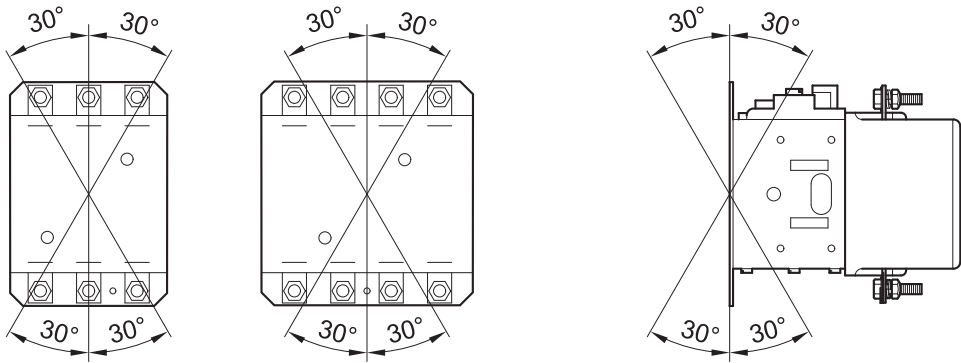
| | | | | | | |
|-------------------------------------------|-------------------------------------------|-------------------------------------------|-------------------------------------------------------------------------|----------------------------------------------------------|-------------------------------------------|-------------------------------------------|
| gG 160A aM 100A | gG 200A aM 125A | gG 250A aM 160A | gG 315A aM 200A | gG 400A aM 250A | gG 500A aM 315A | gG 630A aM 500A |
| B115 B145 B180 | B115 B145 B180 | B115 B145 B180 | B145 B180 B250 B310 B400 | B180 B250 B310 B400 | B250 B310 B400 | B250 B310 B400 |
| 60-100A | 75-125A | 90-150A | 120-200A | 150-250A | 180-300A | 250-420A |

Application note:
The input electronic circuit of the contactor coil is designed and tested according to IEEEC 62.41 and will withstand a 10kV impulse (1.2/50µs) with 50 Joule energy.
For higher values the use of a step-down voltage transformer is recommended.



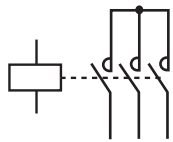
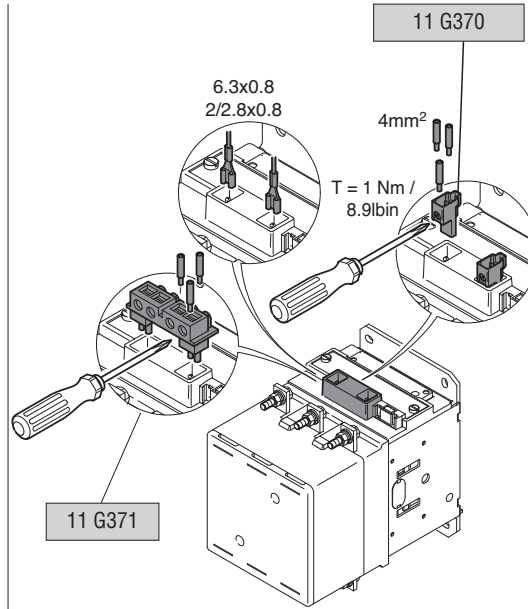
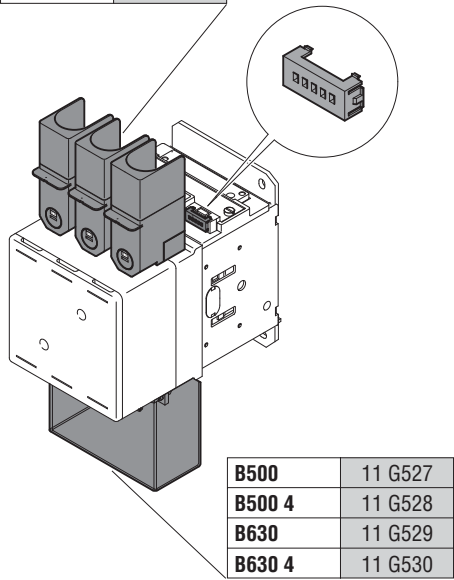
| | | | | | | |
|----------------------------------|----------------------------------|----|-----|------------------------|----|-----|
| | B115-B145-B180 B250-B310-B400 | | | B500-B630 B630 1000 | | |
| | 160VA | | | 200VA | | |
| Us (0.8-1.1) V = (50/60Hz-DC) | | | | | | |
| 24 | 300 | 10 | 4 | — | — | — |
| 48 | 300 | 10 | 2 | 400 | 18 | 4 |
| 60 | 300 | 10 | 2 | 400 | 18 | 2 |
| 110-125 | 300 | 10 | 1 | 400 | 18 | 1 |
| 220-240 | 300 | 10 | 0.5 | 400 | 18 | 0.5 |
| 380-415 | 300 | 10 | 0.5 | 400 | 18 | 0.5 |
| 440-460 | 300 | 10 | 0.5 | 400 | 18 | 0.5 |

13700720
I010 I GBD CN 04 16

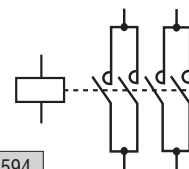
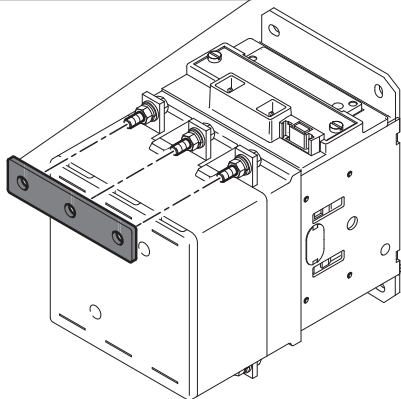


| | |
|------------------|---------|
| B115 | 11 G360 |
| B145-B180 | 11 G361 |
| B250 | 11 G362 |
| B310-B400 | 11 G363 |

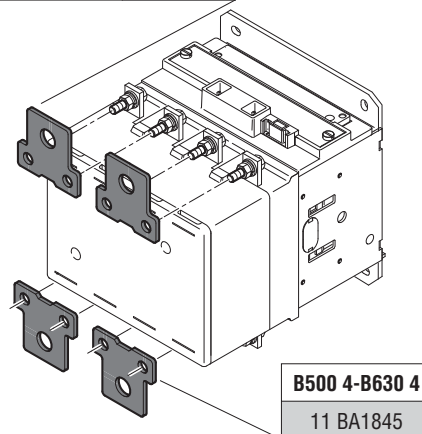
11 BA126 2



| | |
|-----------------------|-----------|
| B115-B145-B180 | 11 BA1595 |
| B250-B310-B400 | 11 BA1721 |
| B500-B630 | 11 BA1846 |



| | |
|-----------------------------|-----------|
| B115 4-B145 4-B180 4 | 11 BA1594 |
| B250 4-B310 4-B400 4 | 11 BA1720 |

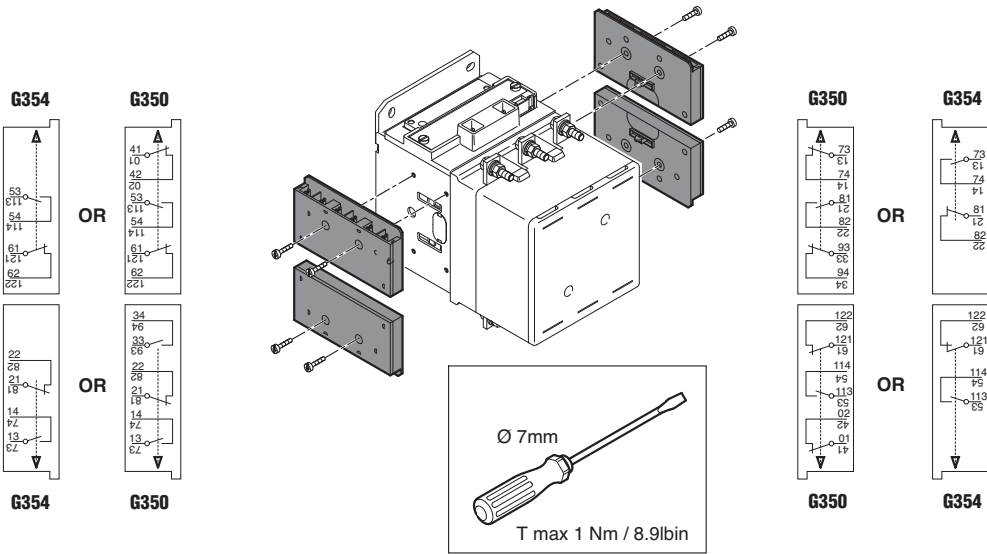
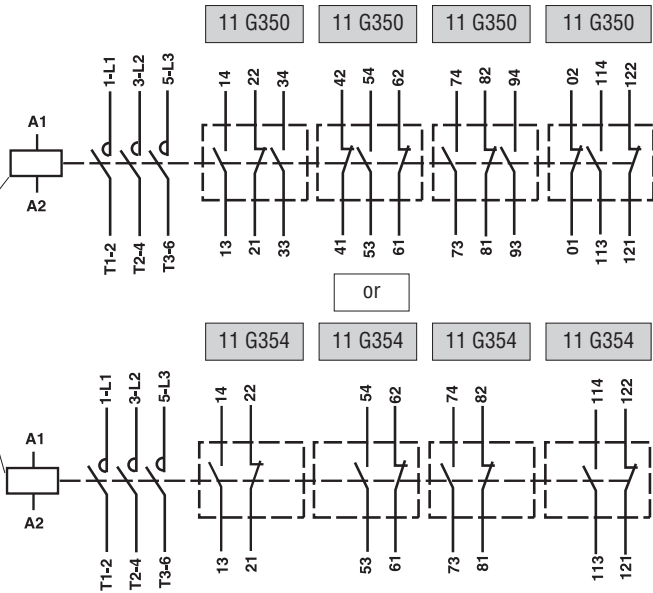


13700720

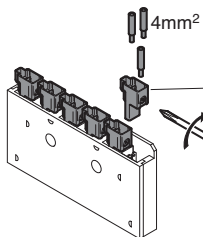
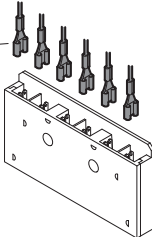
1010 I GBD CN 04 16

11 G350
11 G354

B115
B145
B180
B250
B310
B400
B500
B630
B630 1000



6.3x0.8
2/2.8x0.8

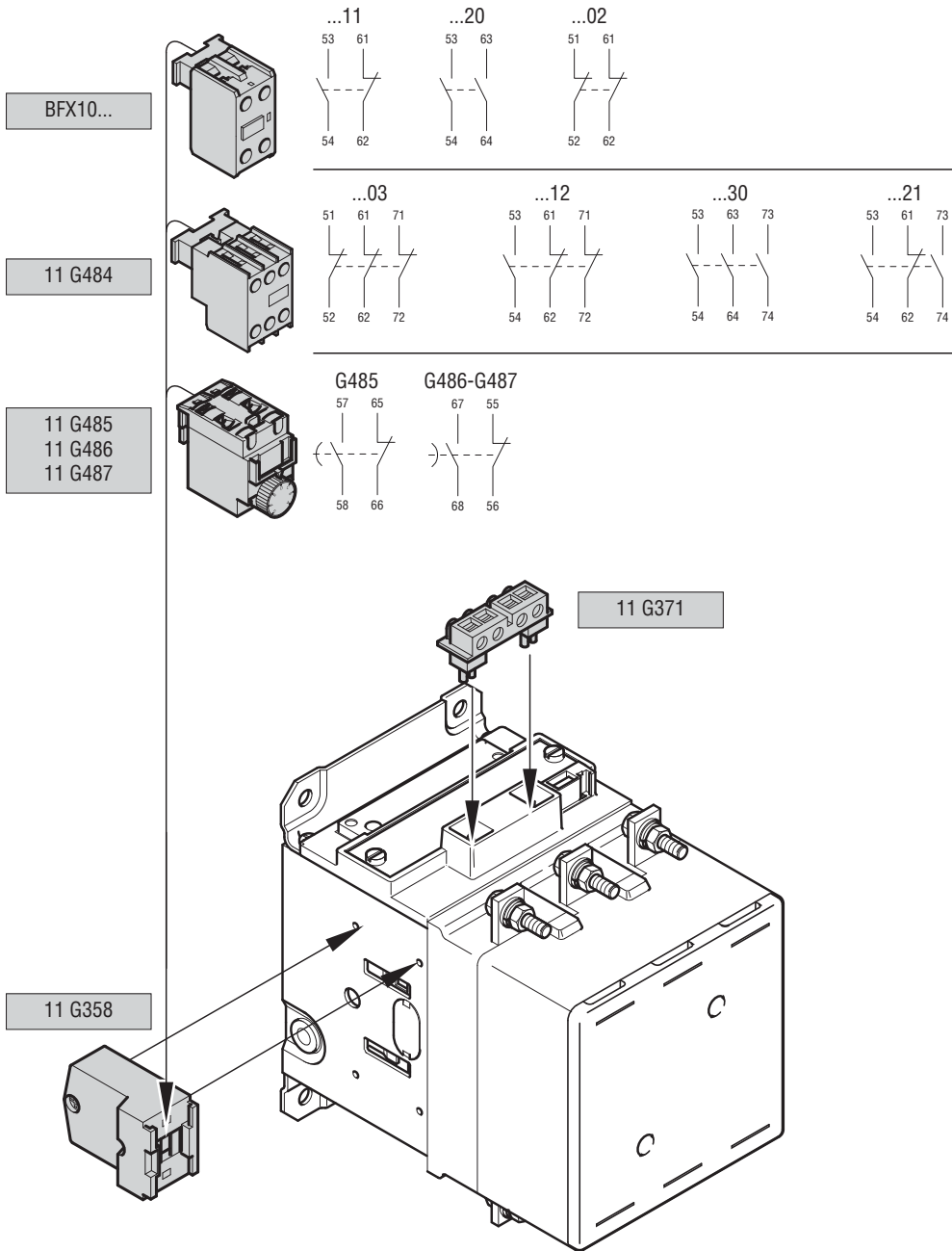


11 G370

T = 0.5 Nm

13700720

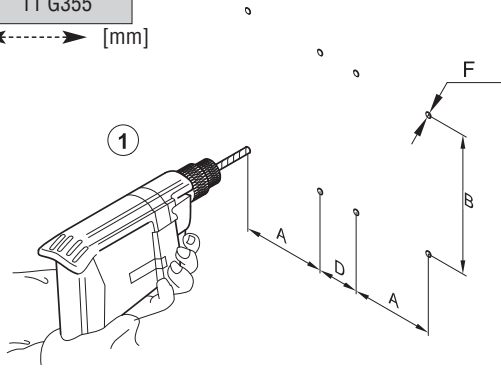
1010 I GBD CN 04 16



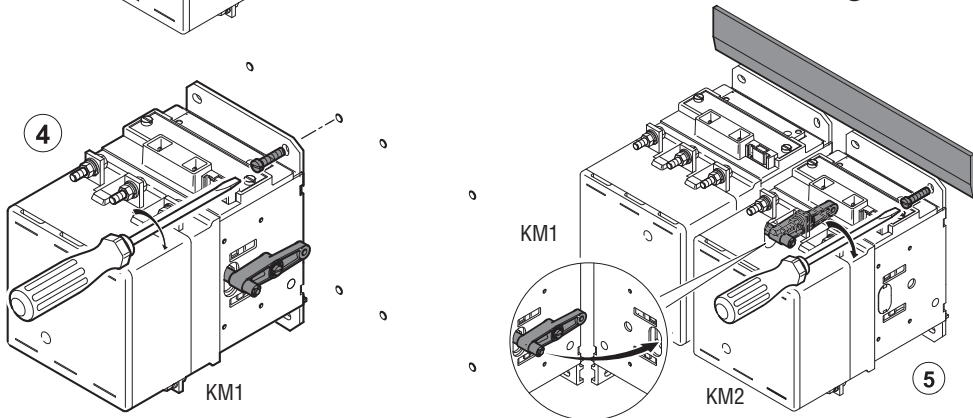
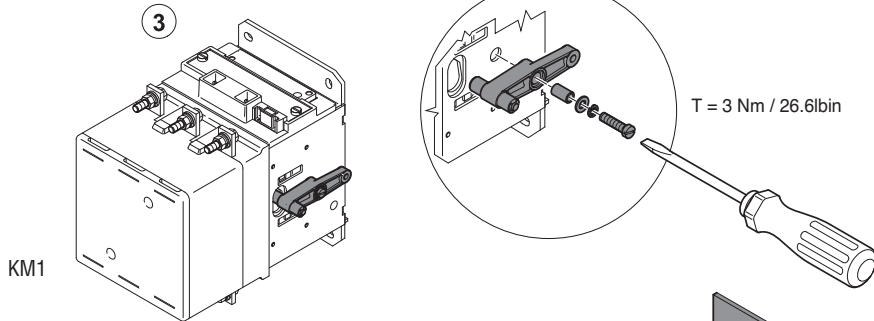
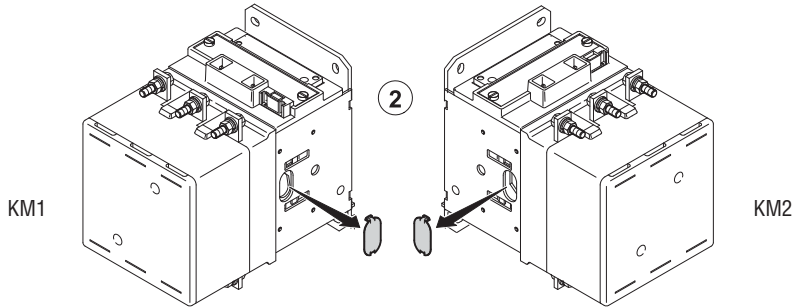
13700720

1010 I GB D CN 04 16

11 G355 [mm]



| | A | B | D | F |
|----------------------------------|-------|-----|----|-----|
| B115-B145-B180 | 90 | 150 | 45 | M6 |
| B115 4-B145 4-B180 4 | 130 | 150 | 45 | M6 |
| B250-B310-B400 | 110 | 180 | 50 | M8 |
| B250 4-B310 4-B400 4 | 157.5 | 180 | 50 | M8 |
| B500-B630-B630 1000 | 150 | 230 | 60 | M10 |
| B500 4-B630 4-B630 1000 4 | 215 | 230 | 60 | M10 |

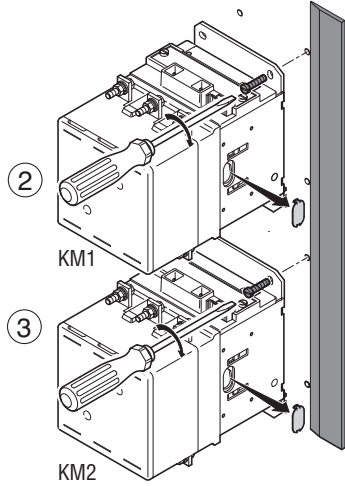
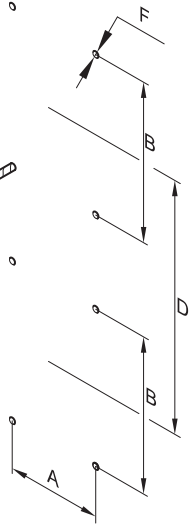
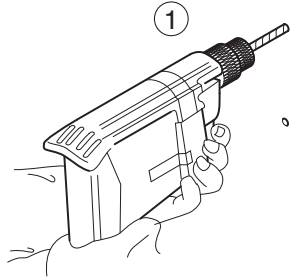
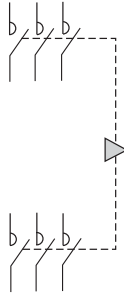


13700720
1010 I GB D CN 04 16

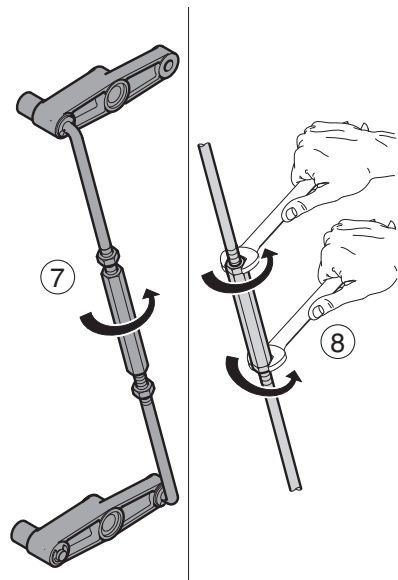
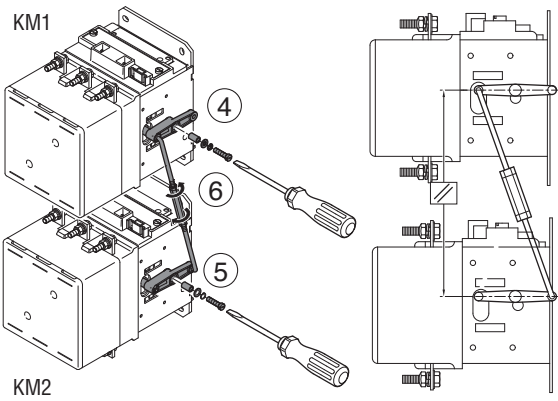
11 G356 ...

| | A | B | F |
|----------------------------------|-------|-----|-----|
| B115-B145-B180 | 90 | 150 | M6 |
| B115 4-B145 4-B180 4 | 130 | 150 | M6 |
| B250-B310-B400 | 110 | 180 | M8 |
| B250 4-B310 4-B400 4 | 157.5 | 180 | M8 |
| B500-B630-B630 1000 | 150 | 230 | M10 |
| B500 4-B630 4-B630 1000 4 | 215 | 230 | M10 |

←-----→ [mm]

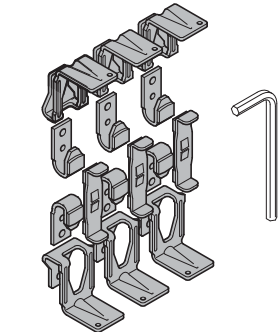
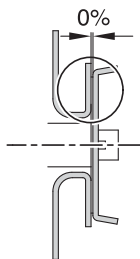
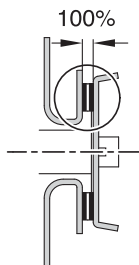
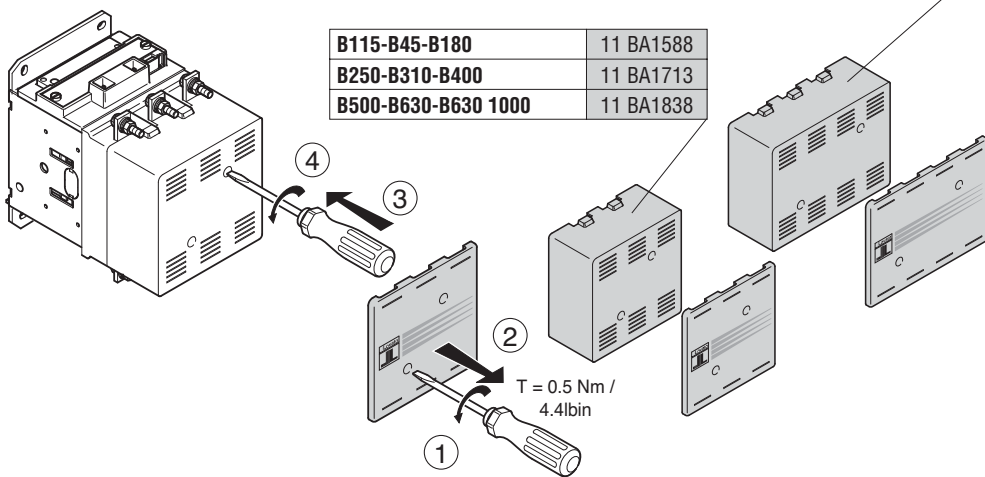


| | D |
|-----------|----------------------------------|
| 11 G356 1 | 225-265 (B115-180) |
| 11 G356 2 | 265-305 (B115-400) |
| 11 G356 3 | 305-345 (B115-630) |
| 11 G356 4 | 345-385 (B115-630) |
| 11 G356 5 | 390-425 (B115-630) |
| 11 G356 6 | 470-500 (B115-630 1000) |

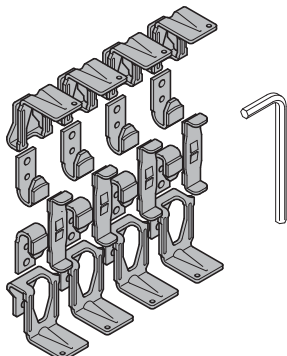


| | |
|----------------------------------|-----------|
| B115 4-B45 4-B180 4 | 11 BA1589 |
| B250 4-B310 4-B400 4 | 11 BA1714 |
| B500 4-B630 4-B630 1000 4 | 11 BA1839 |

| | |
|----------------------------|-----------|
| B115-B45-B180 | 11 BA1588 |
| B250-B310-B400 | 11 BA1713 |
| B500-B630-B630 1000 | 11 BA1838 |



| | |
|------------------|---------|
| B115 | 11 G380 |
| B145 | 11 G381 |
| B180 | 11 G382 |
| B250 | 11 G383 |
| B310 | 11 G385 |
| B400 | 11 G384 |
| B500 | 11 G525 |
| B630 | 11 G526 |
| B630 1000 | 11 G537 |

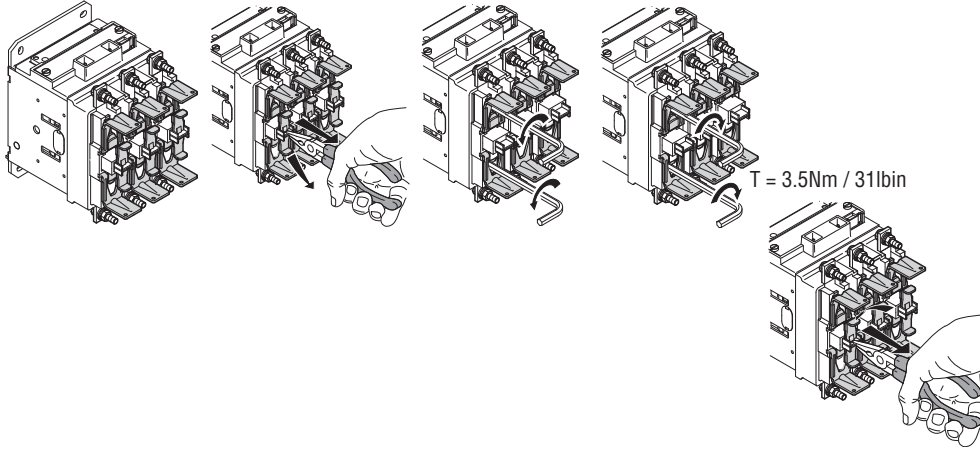


| | |
|--------------------|-----------|
| B115 4 | 11 G380 4 |
| B145 4 | 11 G381 4 |
| B180 4 | 11 G382 4 |
| B250 4 | 11 G383 4 |
| B310 4 | 11 G385 4 |
| B400 4 | 11 G384 4 |
| B500 4 | 11 G525 4 |
| B630 4 | 11 G526 4 |
| B630 1000 4 | 11 G537 4 |

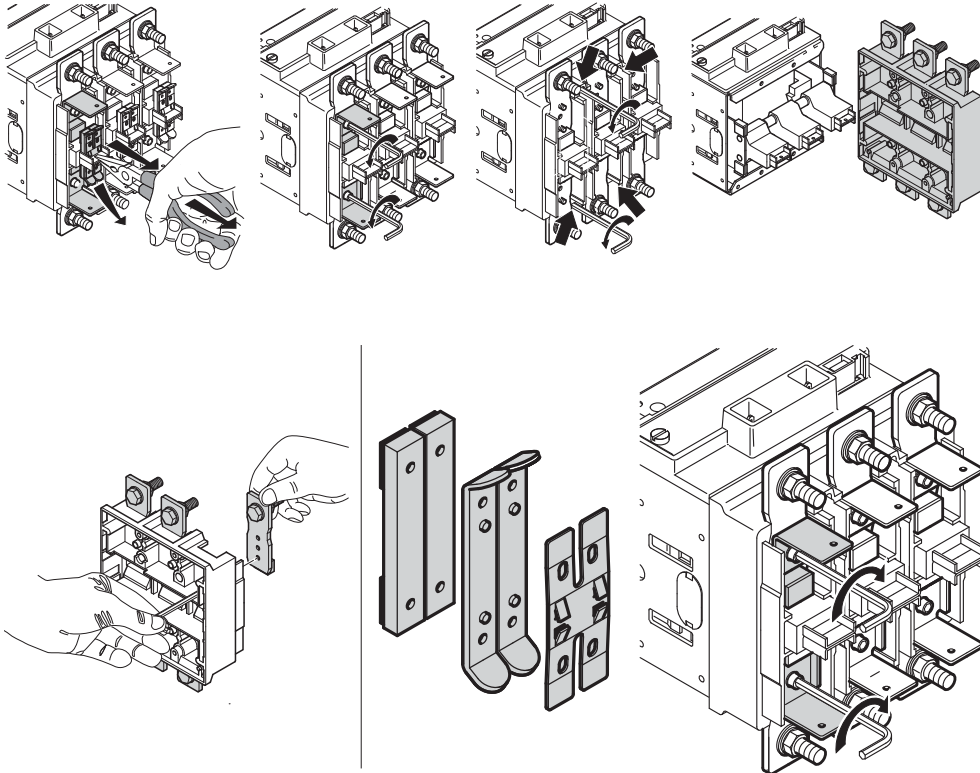
13700720

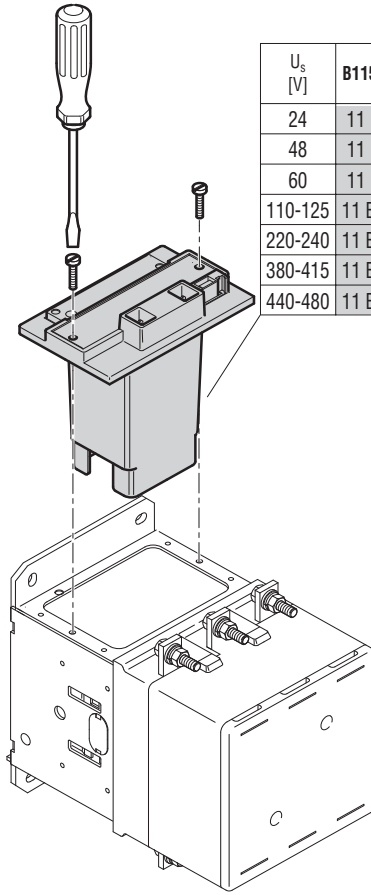
B115 - B145 - B180 - B250 - B310 - B400

1010 I GB D CN 04 16



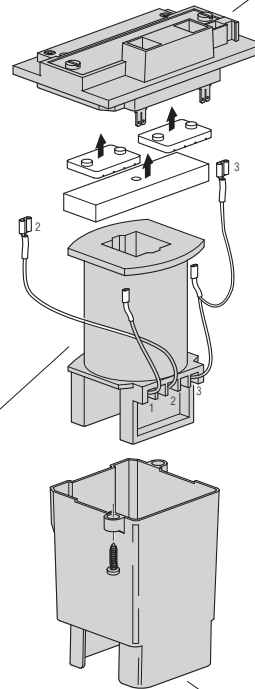
B500 - B630 - B630 1000





| U _s [V] | B115-B145-B180 | B250-B310-B400 | B500-B630 B630 1000 |
|-----------------------|----------------|----------------|------------------------|
| 24 | 11 BA1546 24 | 11 BA1671 24 | — |
| 48 | 11 BA1546 48 | 11 BA1671 48 | 11 BA1796 48 |
| 60 | 11 BA1546 60 | 11 BA1671 60 | 11 BA1796 60 |
| 110-125 | 11 BA1546 110 | 11 BA1671 110 | 11 BA1796 110 |
| 220-240 | 11 BA1546 220 | 11 BA1671 220 | 11 BA1796 220 |
| 380-415 | 11 BA1546 380 | 11 BA1671 380 | 11 BA1796 380 |
| 440-480 | 11 BA1546 440 | 11 BA1671 440 | 11 BA1796 440 |

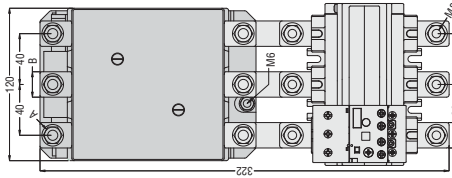
| B115 B145 B180 | 11 BA1575 1 |
|----------------------------------------|-------------|
| B250 B310 B400 | 11 BA1700 1 |
| B500 B630 B630 1000 | 11 BA1799 |



| U _s [V] | B115-B145-B180 | B250-B310-B400 | B500-B630 B630 1000 |
|-----------------------|----------------|----------------|------------------------|
| 24 | 11 BA11574 24 | 11 B 1699 24 | — |
| 48 | 11 BA11574 48 | 11 BA1699 48 | 11 BA1800 48 |
| 60 | 11 BA11574 60 | 11 BA1699 60 | 11 BA1800 60 |
| 110-125 | 11 BA11574 110 | 11 BA1699 110 | 11 BA1800 110 |
| 220-240 | 11 BA11574 220 | 11 BA1699 220 | 11 BA1800 220 |
| 380-415 | 11 BA11574 380 | 11 BA1699 380 | 11 BA1800 380 |
| 440-480 | 11 BA11574 440 | 11 BA1699 440 | 11 BA1800 440 |

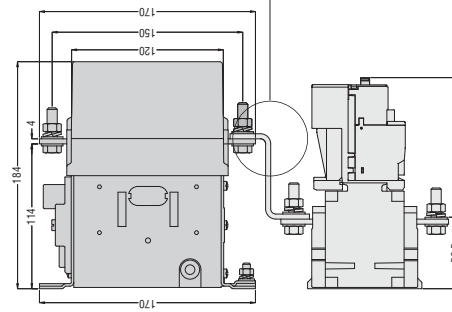
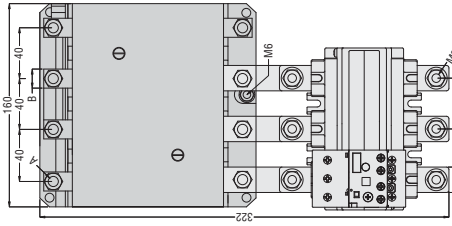
| | |
|----------------------------|-----------|
| B115-B145-B180 | 11 BA1553 |
| B250-B310-B400 | 11 BA1678 |
| B500-B630-B630 1000 | 11 BA1803 |

B115 - B145 - B180



| | A | B |
|------|----|----|
| B115 | M6 | 15 |
| B145 | M8 | 20 |
| B180 | M8 | 20 |

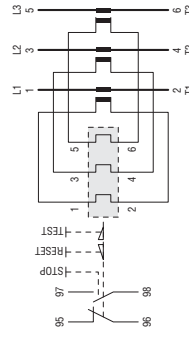
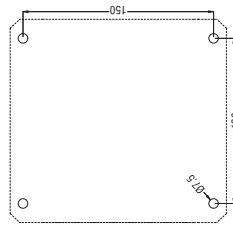
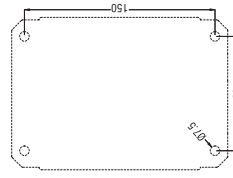
[mm]



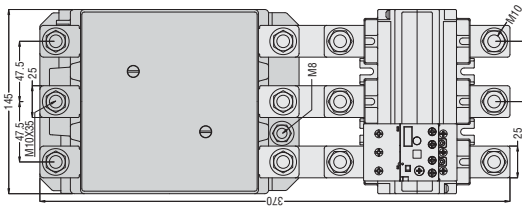
| | | | |
|----------|-------|---|----------------|
| 11 G.372 | RF200 | → | B115-B145-B180 |
| 11 G.375 | RF420 | → | B145-B180 |

[A]

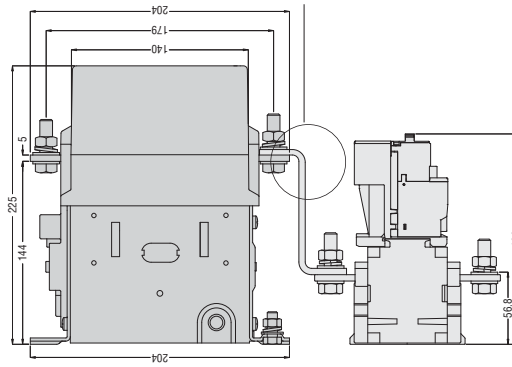
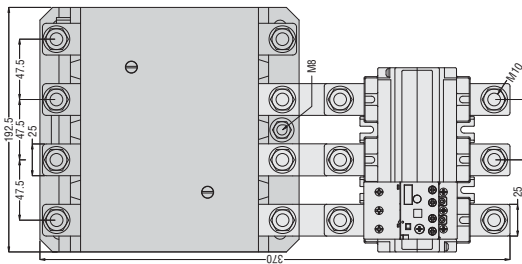
| | |
|---------|-----------|
| 60-100 | RF200 100 |
| 75-125 | RF200 125 |
| 90-150 | RF200 150 |
| 120-200 | RF200 200 |
| 150-250 | RF420 250 |
| 160-300 | RF420 300 |
| 250-420 | RF420 420 |



B250 - B310 - B400



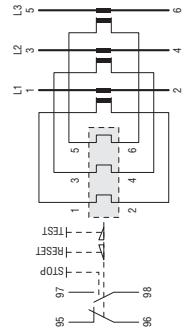
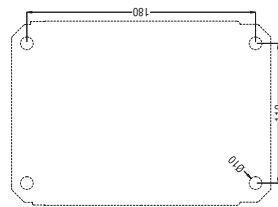
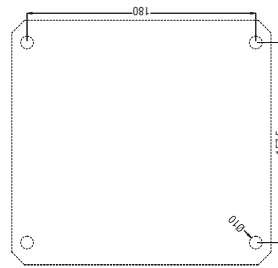
[mm]



| | | | |
|---------|-------|---|----------------|
| 11 G373 | RF200 | → | B250-B310-B400 |
| 11 G376 | RF400 | → | B250-B310-B400 |

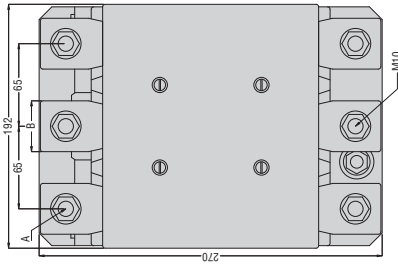
[A]

| | | |
|---------|-------|-----|
| 60-100 | RF200 | 100 |
| 75-125 | RF200 | 125 |
| 90-150 | RF200 | 150 |
| 120-200 | RF200 | 200 |
| 150-250 | RF420 | 250 |
| 160-300 | RF420 | 300 |
| 250-420 | RF420 | 420 |

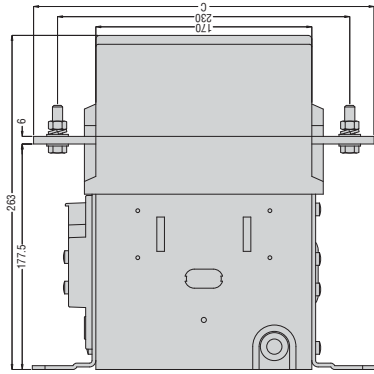
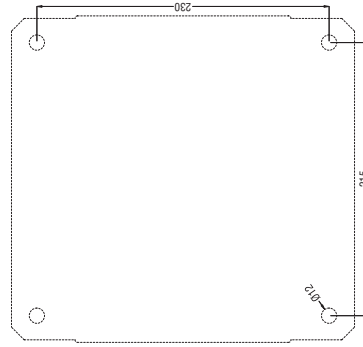
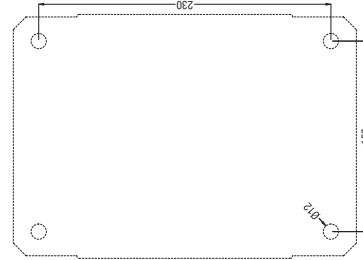
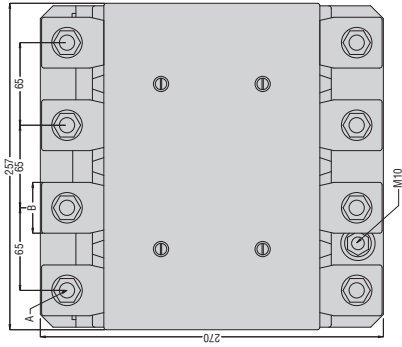


B500 - B630

↔ [mm]

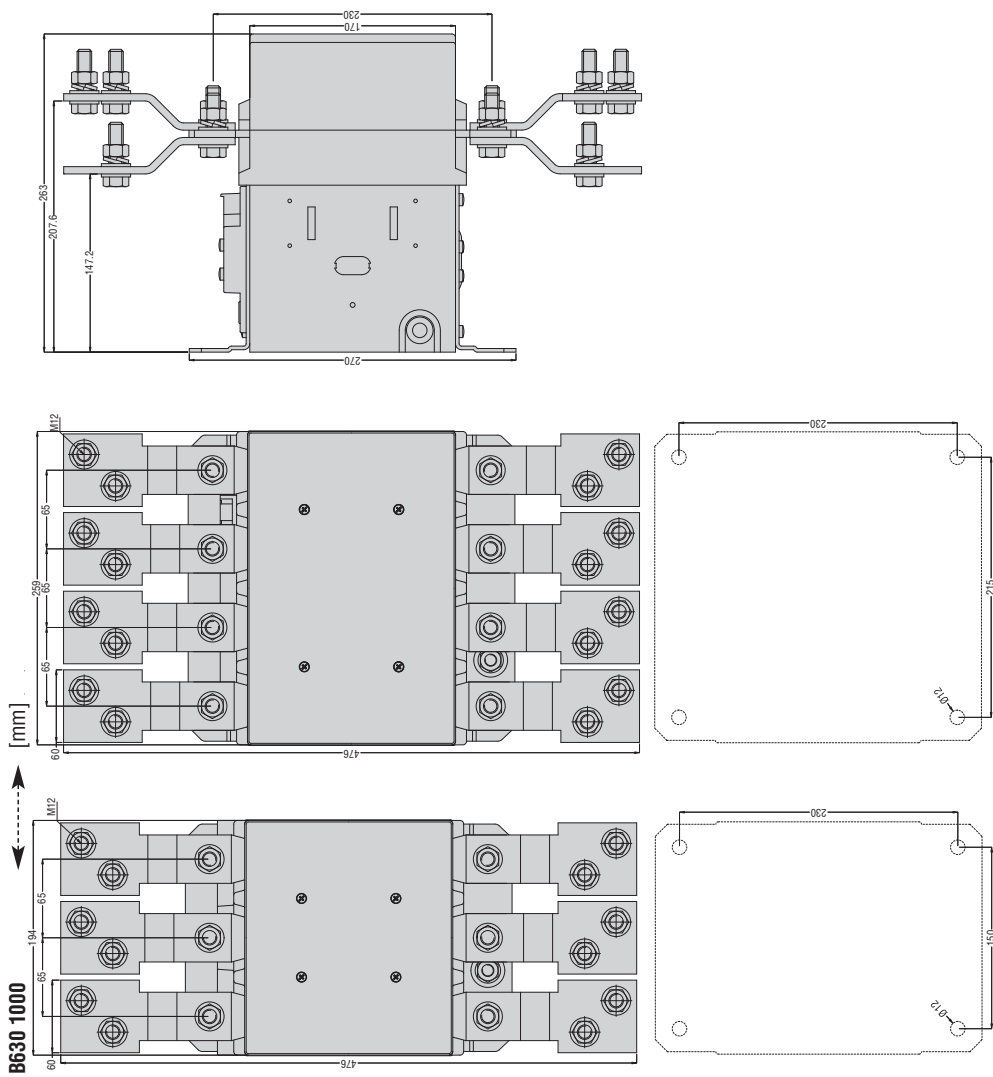


| | A | B | C |
|------|-----|----|-----|
| B500 | M10 | 35 | 265 |
| B630 | M12 | 40 | 270 |



13700720

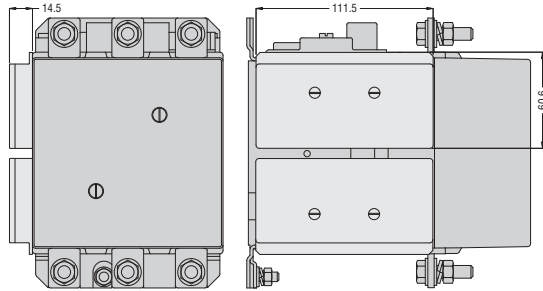
1010 I GB D CN 04 16



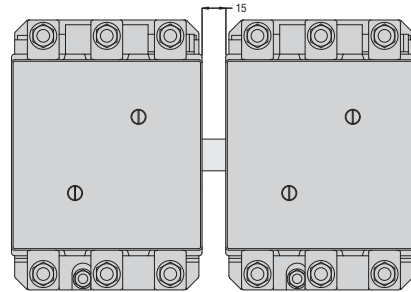
13700720
1010 I GB D CN 04 16

G350 - G354

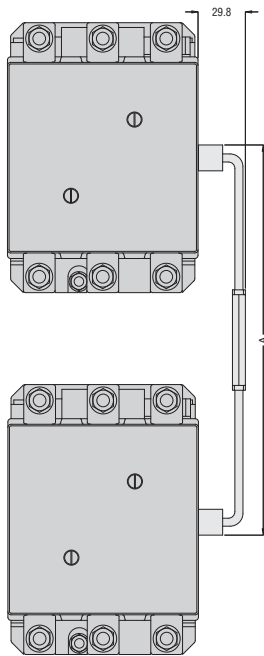
←-----→ [mm]



G355



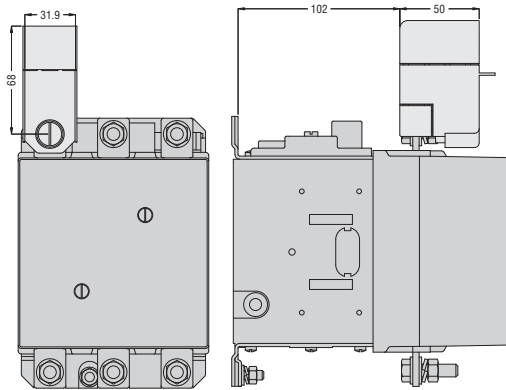
G356...



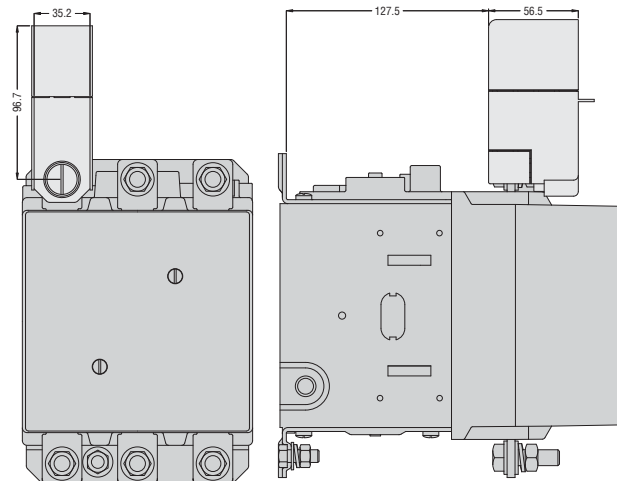
A

- G356 1 = 225-265
- G356 2 = 265-305
- G356 3 = 305-345
- G356 4 = 345-385
- G356 5 = 390-425
- G356 6 = 470-500

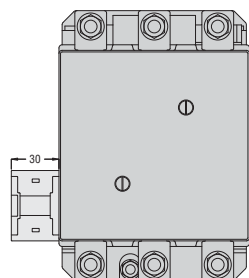
G360 - G361



G363

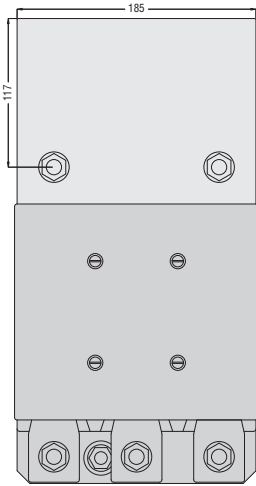


G358

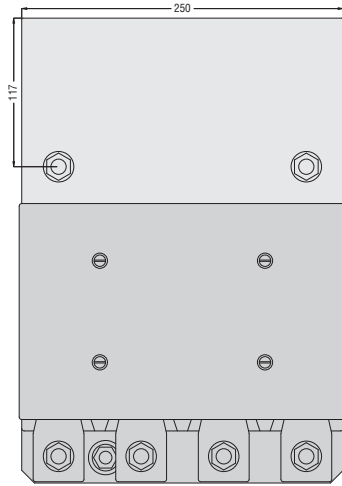


13700720
1010 I GB D CN 04 16

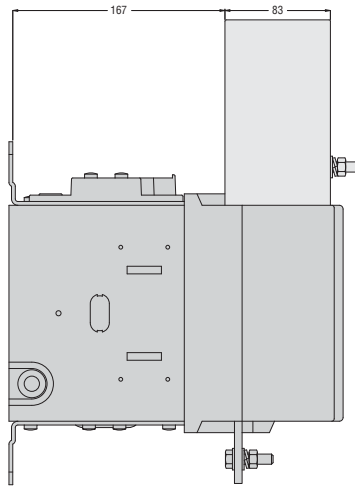
G527 - G529



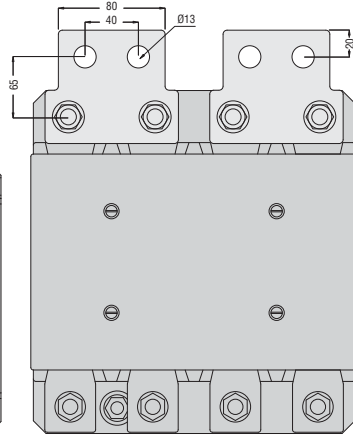
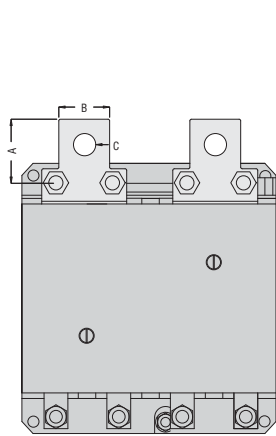
G528 - G530



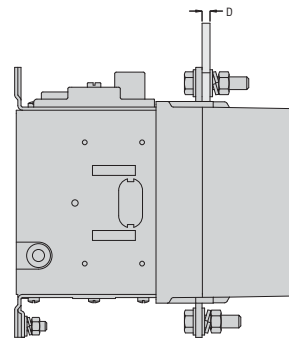
←-----→ [mm]



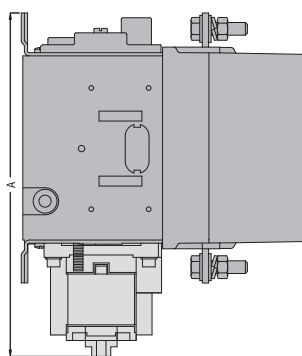
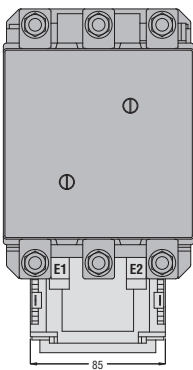
BA1594 - BA1720 - BA1845



| | A | B | C | D |
|--------|----|----|-----|----|
| BA1594 | 45 | 32 | Ø14 | 5 |
| BA1720 | 53 | 50 | Ø18 | 5 |
| BA1845 | — | — | — | 10 |



G495

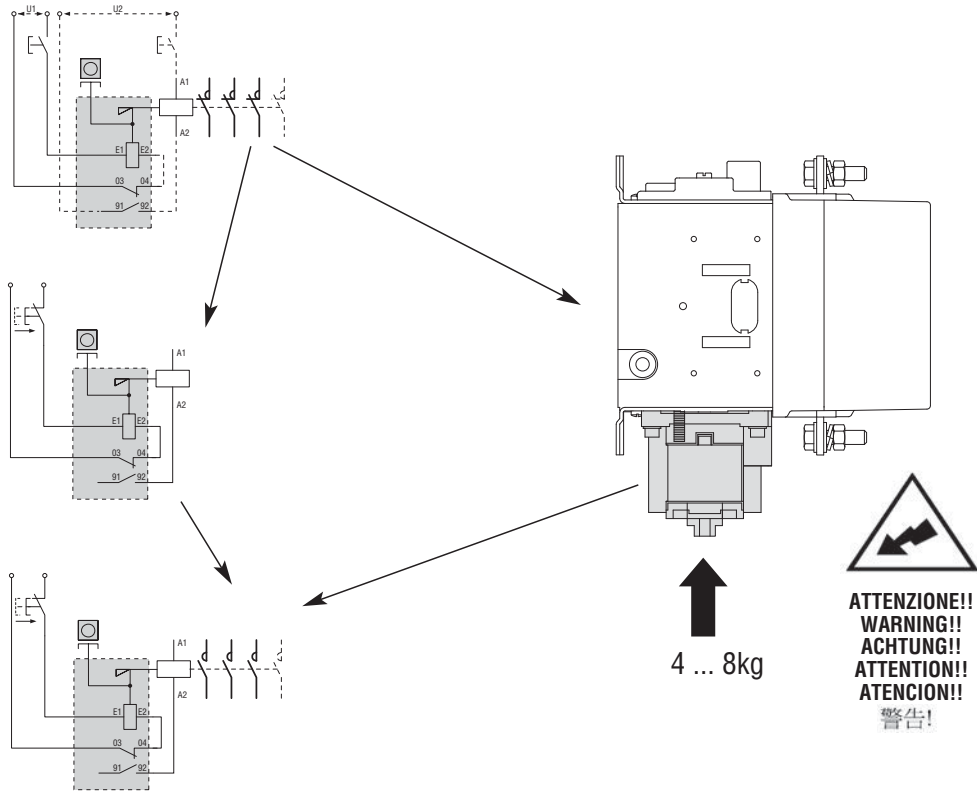
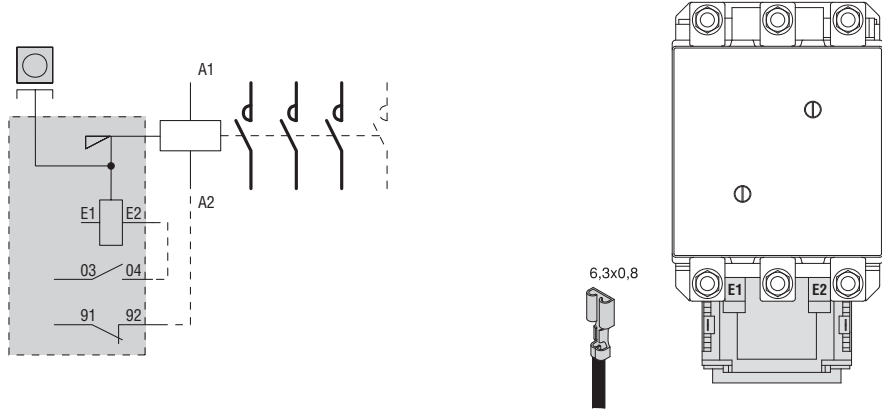


| | A |
|--------------------|-----|
| B115 - B145 - B180 | 221 |
| B250 - B400 | 255 |
| B500 - B630 | 300 |

13700720

B115 L 00 - B145 L 00 - B180 L 00 - B250 L 00 - B400 L 00 - B500 L 00 - B630 L 00
B115 4 L 00 - B145 4 L 00 - B180 4 L 00 - B250 4 L 00 - B400 4 L 00 - B500 4 L 00 - B630 4 L 00

1010 I GB D CN 04 16

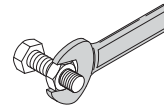
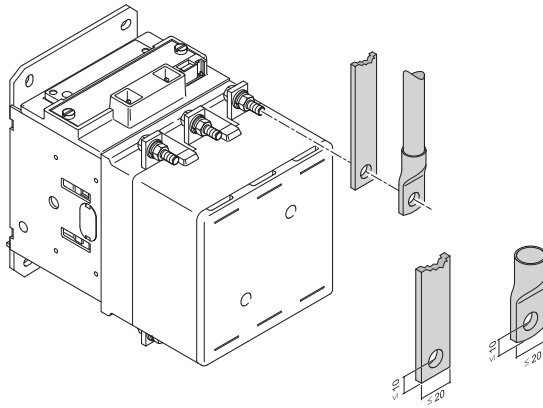


13700720

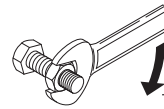
1010 I GB D CN 04 16

B115 - B145 - B180

←-----→ [mm]



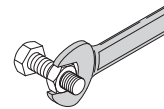
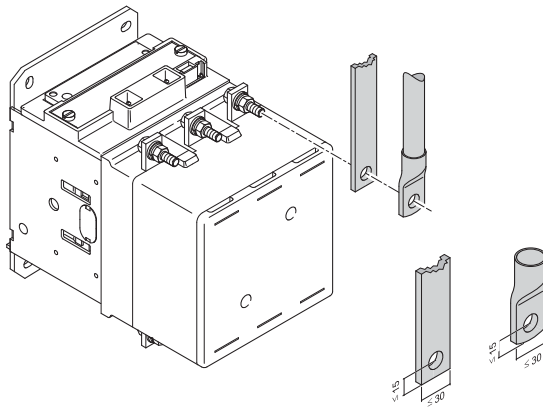
B115 = 10mm
B145 = 13mm
B180 = 13mm



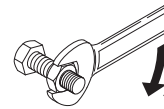
B115 T = 10Nm / 7.4lbft
B145 T = 18Nm / 13.3lbft
B180 T = 18Nm / 13.3lbft

B250 - B310 - B400

←-----→ [mm]



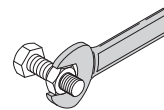
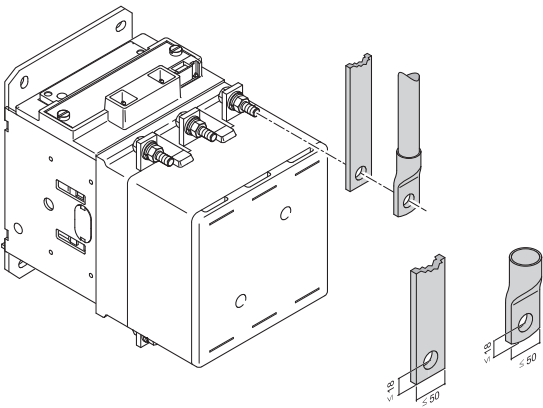
B250 = 17mm
B310 = 17mm
B400 = 17mm



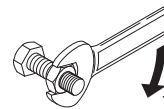
B250 T = 35Nm / 25.8lbft
B310 T = 35Nm / 25.8lbft
B400 T = 35Nm / 25.8lbft

B500 - B630 - B630 1000

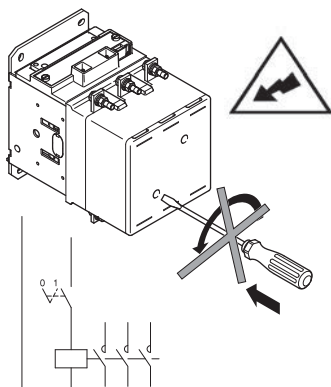
←-----→ [mm]



B500 = 17mm
B630 = 19mm
B630 1000 = 19mm



B500 T = 35Nm / 25.8lbft
B630 T = 55Nm / 40.6lbft
B630 1000 T = 55Nm / 40.6lbft

**WARNING!**

- This equipment is to be installed by qualified personnel, complying to current standards, to avoid damages or safety hazards.
- The manufacturer cannot be held responsible for electrical safety in case of improper use of the equipment.
- Products illustrated herein are subject to alteration and changes without prior notice. Technical data and descriptions in the documentation are accurate, to the best of our knowledge, but no liabilities for errors, omissions or contingencies arising there from are accepted.

**ATTENTION !**

- Ces appareils doivent être installés par un personnel qualifié, conformément aux normes en vigueur en matière d'installations, afin d'éviter de causer des dommages à des personnes ou choses.
- Le constructeur n'assume aucune responsabilité quant à la sécurité électrique en cas d'utilisation impropre du dispositif.
- Les produits décrits dans ce document sont susceptibles d'évoluer ou de subir des modifications à n'importe quel moment. Les descriptions et caractéristiques techniques du catalogue ne peuvent donc avoir aucune valeur contractuelle.

**ACHTUNG!**

- Zur Vermeidung von Personen- und Sachschäden dürfen diese Geräte nur von qualifiziertem Fachpersonal und unter Befolgung der einschlägigen Vorschriften installiert werden.
- Bei zweckwidrigem Gebrauch der Vorrichtung übernimmt der Hersteller keine Haftung für die elektrische Sicherheit.
- Die in dieser Broschüre beschriebenen Produkte können jederzeit weiterentwickelt und geändert werden. Die im Katalog enthaltenen Beschreibungen und Daten sind daher unverbindlich und ohne Gewähr.

**ADVERTENCIA**

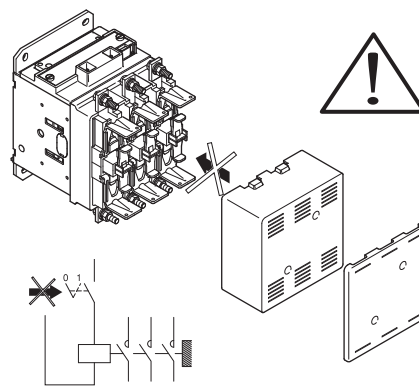
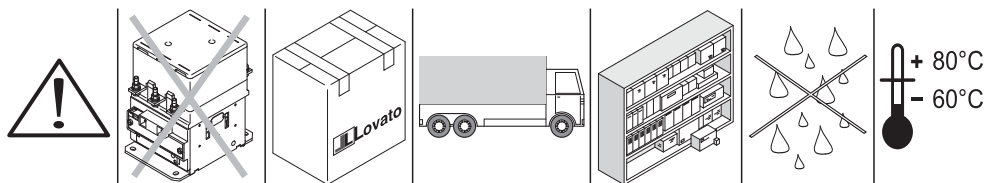
- Este dispositivo debe ser instalado por personal cualificado conforme a la normativa de instalación vigente a fin de evitar daños personales o materiales.
- El fabricante no se responsabilizará de la seguridad eléctrica en caso de que el dispositivo no se utilice de forma adecuada.
- Los productos descritos en este documento se pueden actualizar o modificar en cualquier momento. Por consiguiente, las descripciones y los datos técnicos aquí contenidos no tienen valor contractual.

**UPOZORNĚNÍ**

- Tato zařízení smí instalovat kvalifikovaní pracovníci v souladu s platnými předpisy a normami pro předcházení úrazu osob či poškození věcí.
- Výrobce nenesé odpovědnost za elektrickou bezpečnost v případě nevhodného používání regulátoru.
- Výrobky popsané v tomto dokumentu mohou kdykoliv projít úpravami či dalším vývojem. Popisy a údaje uvedené v katalogu nemají proto žádnou smluvní hodnotu.

**AVERTIZARE!**

- Acest echipament va fi instalat de personal calificat, în conformitate cu standardele actuale, pentru a evita deteriorări sau pericolele.
- Producătorul nu poate fi considerat responsabil pentru siguranța electrică în caz de utilizare incorectă a echipamentului.
- Produsele ilustrate în prezentul sunt supuse modificărilor și schimbărilor fără notificare anterioară. Datele tehnice și descrierile din documentație sunt precise, în măsura cunoștințelor noastre, dar nu se acceptă nicio răspundere pentru erorile, omisiunile sau evenimentele neprevăzute care apar ca urmare a acestora.

**ATTENZIONE!**

- Questi apparecchi devono essere installati da personale qualificato, nel rispetto delle vigenti normative impiantistiche, allo scopo di evitare danni a persone o cose.
- Il costruttore non si assume responsabilità in merito alla sicurezza elettrica in caso di utilizzo improprio del dispositivo.
- I prodotti descritti in questo documento sono suscettibili in qualsiasi momento di evoluzioni o di modifiche. Le descrizioni ed i dati a catalogo non possono pertanto avere alcun valore contrattuale.

**UWAGA!**

- W celu uniknięcia obrażeń osób lub uszkodzenia mienia tego typu urządzenia muszą być instalowane przez wykwalifikowany personel, zgodnie z obowiązującymi przepisami.
- Producent nie przyjmuje na siebie odpowiedzialności za bezpieczeństwo elektryczne w przypadku niewłaściwego użytkowania urządzenia.
- Produkty opisane w niniejszym dokumencie mogą być w każdej chwili udoskonalone lub zmodyfikowane. Opisy oraz dane katalogowe nie mogą mieć w związku z tym żadnej wartości umownej.

**警告!**

- 本设备只能由合格人员根据现行标准进行安装，以避免造成损坏或安全事故。
- 制造商不负责因设备使用不当导致的电气安全问题。
- 此处说明的产品可能会有变更，恕不提前通知。我们竭力确保本文件中技术数据和说明的准确性，但对于错误、遗漏或由此产生的意外事件概不负责。

**ПРЕДУПРЕЖДЕНИЕ!**

- Во избежание травм или материального ущерба монтаж должен осуществляться только квалифицированным персоналом в соответствии с действующими нормативами.
- Производитель не несет ответственность за обеспечение электробезопасности в случае ненадлежащего использования устройства.
- Изделия, описанные в настоящем документе, в любой момент могут подвергнуться изменениям или усовершенствованиям. Поэтому каталожные данные и описания не могут рассматриваться как действительные с точки зрения контрактов.

**DİKKAT!**

- Bu aparatlar kişilere veya nesnelere zarar verme ihtimaline karşı yürürlükte olan sistem kuma normlarına göre kalifiye personel tarafından monte edilmelidir.
- Üretici aparatın hatalı kullanımından kaynaklanan elektriksel güvenliği ait sorumluluk kabul etmez.
- Bu dokümanda tarif edilen ürünler her an evrimlere veya değişimlere açıktır. Bu sebeple katalogdaki tarif ve değerler herhangi bir bağlayıcı değeri haiz değildir.

