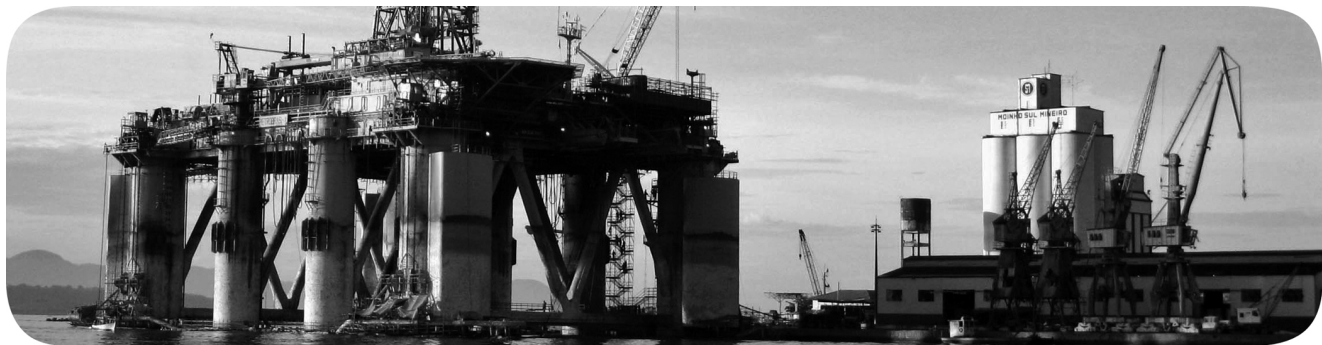


PowerFlex 750-Series AC Drives

Catalog Numbers 20F, 20G, 21G



Important User Information

Read this document and the documents listed in the additional resources section about installation, configuration, and operation of this equipment before you install, configure, operate, or maintain this product. Users are required to familiarize themselves with installation and wiring instructions in addition to requirements of all applicable codes, laws, and standards.

Activities including installation, adjustments, putting into service, use, assembly, disassembly, and maintenance are required to be carried out by suitably trained personnel in accordance with applicable code of practice.

If this equipment is used in a manner not specified by the manufacturer, the protection provided by the equipment may be impaired.

In no event will Rockwell Automation, Inc. be responsible or liable for indirect or consequential damages resulting from the use or application of this equipment.

The examples and diagrams in this manual are included solely for illustrative purposes. Because of the many variables and requirements associated with any particular installation, Rockwell Automation, Inc. cannot assume responsibility or liability for actual use based on the examples and diagrams.

No patent liability is assumed by Rockwell Automation, Inc. with respect to use of information, circuits, equipment, or software described in this manual.

Reproduction of the contents of this manual, in whole or in part, without written permission of Rockwell Automation, Inc., is prohibited.

Throughout this manual, when necessary, we use notes to make you aware of safety considerations.



WARNING: Identifies information about practices or circumstances that can cause an explosion in a hazardous environment, which may lead to personal injury or death, property damage, or economic loss.



ATTENTION: Identifies information about practices or circumstances that can lead to personal injury or death, property damage, or economic loss. Attentions help you identify a hazard, avoid a hazard, and recognize the consequence.

IMPORTANT Identifies information that is critical for successful application and understanding of the product.

Labels may also be on or inside the equipment to provide specific precautions.



SHOCK HAZARD: Labels may be on or inside the equipment, for example, a drive or motor, to alert people that dangerous voltage may be present.



BURN HAZARD: Labels may be on or inside the equipment, for example, a drive or motor, to alert people that surfaces may reach dangerous temperatures.



ARC FLASH HAZARD: Labels may be on or inside the equipment, for example, a motor control center, to alert people to potential Arc Flash. Arc Flash will cause severe injury or death. Wear proper Personal Protective Equipment (PPE). Follow ALL Regulatory requirements for safe work practices and for Personal Protective Equipment (PPE).

	Preface	
	Summary of Changes	9
	Installation Instructions in Other Languages	10
	Commonly Used Tools	11
	Installation and Service Tools.....	11
	Line to Load Installation Guidelines	12
	Additional Resources	14
	 Chapter 1	
Read the General Precautions	Qualified Personnel	15
	Personal Safety.....	15
	Product Safety	16
	Class 1 Light-emitting Diode Product.....	16
	Waste Electrical and Electronic Equipment.....	16
	 Chapter 2	
Prepare for Installation	Wall Mount Frames 1...7 Drive Rating Cross-references.....	20
	Floor Mount Frames 8...10 Drive Rating Cross-references	23
	CE Conformity	24
	Low Voltage Directive	24
	EMC Directive.....	24
	General Considerations	24
	Installation Requirements Related to EN 61800-5-1 and the Low Voltage Directive.....	25
	Installation Requirements Related to EN 61800-3 and the EMC Directive	26
	Access Panels, Covers, and Doors.....	30
	Minimum Clearances.....	38
	Mounting Considerations.....	39
	Wall Mount Frames 1...7.....	39
	Floor Mount Frames 8...10.....	39
	All Mounting Styles and Frames	39
	Environmental Specifications	39
	 Chapter 3	
Lift and Mount the Drive	Drive Weights	41
	Recommended Mounting Hardware.....	42
	Attach Lifting Hardware.....	43
	Enclosure Code F.....	43
	Enclosure Code N	44
	Enclosure Code G	45
	Open Type Drive (Removed from Cabinet)	45
	Enclosure Codes B and L.....	46
	Enclosure Codes J, K, and Y.....	47

Release Floor Mount Drive Cabinet from Shipping Skid.....	48
Remove Drive Cabinet Lifting Angle	49
Install IP20, NEMA/UL Type 1 Debris Screen, or Optional Exhaust Hood	50
Install IP54, NEMA 12 Cabinet Blower Assembly and Exhaust Hood	50
Install Floor Mount Drive with Cabinet Options Bay and Wiring Bay	51
Position the Drive Cabinets and Cabinet Options Bay.....	51
Position the Wiring Bay.....	53
Join the Cabinets.....	56
Approximate Dimensions – Wall Mount Frames 1...7 and Floor Mount Frames 8...10.....	59
Approximate Dimensions – Floor Mount Drives with Cabinet Options	90
Release Drive Assembly from Cabinet.....	126
Fiber-optic Cables.....	129
Disconnect Drive Control Pod Wiring Connections	129
Disconnect Wire Connections – No Drive Control Pod	131
Disconnect Control and Power Wire Harnesses	133
AC Input Drives	133
Disconnect DC Bus Fuse Wire Harness.....	133
AC Input Drives Floor Mount Frames 9 and Larger	133
Common DC Input Drives	134
Release Cabinet Options Assembly from Cabinet.....	135
Prepare the Roll-out Cart	137
Adjust Roll-out Cart Height Using Threaded Studs and Nuts.....	139
Adjust Roll-out Cart Height Using Spacers	140
Adjust Roll-out Cart Reach	145
Remove Drive Assembly or Cabinet Options Assembly.....	146
Drive Assembly – Floor Mount Frames 8...10.....	149
Cabinet Options Assembly – Floor Mount Frames 9 and 10.....	150
Remove DC Back Bus Guard – Common DC Input Drives	152
Reinstall Drive Assembly or Cabinet Options Assembly	153

Chapter 4

Power Wiring

Grounding Requirements.....	155
Recommended Grounding Scheme	155
Shield Termination – SHLD	156
RFI Filter Grounding.....	156
Power Cable Types Acceptable for 200...600 Volt Installations...	157
Wire Recommendations	157
Motor Considerations	157
Terminal Block Specifications.....	157
Three-phase Terminal Locations	159

Wall Mount Frames 1...7 AC Input Power Terminals	161
Wall Mount Frames 5...7 Common DC Input Terminal Locations	163
Wall Mount Frames 5...7 Common DC Input Power Terminals	165
Floor Mount Frames 8...10 Bus Bar Locations	166
Floor Mount Cabinet Options Bay	169
Floor Mount Frames 8...10 Power Wiring Options	171
Floor Mount Frames 8...10 Power Terminal L-brackets	172
Additional Power Terminal L-Brackets	172
Recommended Motor Cable Spacing – Floor Mount Frames 8 and Larger	174
Fuse and Circuit Breaker Ratings	177
Motor Overload Protection	198
Short Circuit Current Rating	198
Short Circuit Current Ratings – Floor Mount Drives with Cabinet Options	198
Input Contactor Precautions	202
Output Contactor Precaution	203
Bypass Contactor Precaution	203
Applying and Removing Power	203
Drives with Cabinet Options	203
Power Disconnects	203
Contactors	204
Reactors	204
Terminal Blocks and Other Cabinet Parts	204
Transformer Panel	205
Power Wiring Schematic	205
Input Power Circuit Breakers and Disconnect Switches	206
Cabinet Options Bay Accessories	210
Drive Power Jumper Configuration	221
MOV, AC EMI Capacitor, and Common Mode Capacitor Circuits	221
Wall Mount Frames 2...5 Power Jumper Screw Removal and Storage	224
Wall Mount Frames 1, 6, and 7 Power Jumper Wire Removal and Storage	225
Floor Mount Frames 8...10 Drive Assembly Jumper Removal and Storage	228

Chapter 5

I/O Wiring

I/O Terminal Blocks	232
Access Drive Control Pod	234
PowerFlex 753 Main Control Board	238
PowerFlex 755 Main Control Board	241
Wall Mount Frames 1...7	241
Floor Mount Frames 8...10	242

Hardware Enable Circuitry	243
Safety Enable Circuitry	245
PowerFlex 755 Fiber-optic Interface Board	246
AC Input Drive Control and Power Terminal Block	247
Shunt Trip Contact Operation	248
Common DC Input Drive Control and Power Terminal Blocks	248
DC Precharge Board	249
Cabinet Door Interlock and Door Switch	249
120V Output Wiring for Drive Control	250
Control Transformer Connections – Common DC Input Drives	252
Uninterruptible Power Supply Connections – Common DC Input Drives	253
120/240V AC Power Supply Connections – Common DC Input Drives	254
PowerFlex 753 Main Control Board I/O Wiring Examples	255
Drive Device Ports	258
Option Module Installation	259
11-Series I/O Option Module	260
11-Series I/O with ATEX Option Module	262
11-Series I/O Option Module Wiring Examples	263
22-Series I/O Option Module	271
22-Series I/O Option Module Wiring Examples	273
Safe Torque Off Option Module	278
Important Safe Torque Off Option Module Installation Guidelines	278
Integrated Safety - Safe Torque Off Option Module	279
Cabling	280
Power Supply Requirements	280
Safe Speed Monitor Option Module	281
Important Safe Speed Monitor Option Module Installation Guidelines	282
Auxiliary Power Supply Option Module	283
DeviceNet Option Module	285
ControlNet Option Module	286
Dual-port EtherNet/IP Option Module	287
PROFIBUS Option Module	288
BACnet/IP Option Module	289
20-COMM Carrier	290
Frame 1 Drives Installation Recommendations	290
Frame 2 and Larger Drives Installation Recommendations	290
Single Incremental Encoder Option Module	291
Dual Incremental Encoder Option Module	293
Wiring Examples – Single Incremental Encoder Option Module Connections	294

Wiring Example – Dual Incremental Encoder Option Module Connections	296
Universal Feedback Option Module – Only PowerFlex 755 Drives	297
Motor Power Cables.....	300
Feedback Device Resolution.....	300
Motor Feedback Wiring Examples.....	300
Control Pod Cable Routing.....	310
Floor Mount Frames 8...10.....	310
Control Wiring – Early Frame 8 Drives with Cabinet Options... Control Wiring – Current Frame 8 Drives with Cabinet Options	311
Control Wiring – Frame 9 and 10 Drives with Cabinet Options	313
Control Wiring – Frame 9 and 10 Drives with Cabinet Options	314
Enclosure Options – Floor Mount Frames 8...10.....	316
NEMA/UL Type 1 Enclosure – 2500 MCC Style Cabinet ..	316
NEMA Type 12 Enclosure – 2500 MCC Style Cabinet.....	316
 Chapter 6	
Integrated Motion Drives Configure Option Modules for Integrated Motion..... Supporting Documentation	317
 Index	319

Notes:

Summary of Changes

This manual contains new and updated information as indicated in the following table.

Topic	Page
Added Code B – 240V AC (208V AC)/ 325V DC (281V DC) to the Voltage Rating section of the catalog number explanation table	17
Added normal duty ratings for 208V, 60 Hz Input and 240V, 60 Hz Input to the catalog number explanation table	17
Added a drive rating cross-reference table for 208V and 240V drives	20
Changed the title of the table to reflect the addition of 208V and 240V drives	28
Added information about 208V and 240V drives to the Drive Rating column of the table	41
Added information about 208V and 240V drives to the Input Device Requirements table	177
Added a table of 208V AC and 281V DC input protection devices	179
Added a table of 240V AC and 325V DC input protection devices	181

This document explains the basic steps for mechanical installation and for connecting incoming power, the motor, and basic I/O to the PowerFlex® 750-Series Adjustable Frequency AC drive.

IMPORTANT This information is intended for qualified installers of adjustable frequency AC drives.

See [Additional Resources on page 14](#) for a list of Rockwell Automation publications that provide detailed drive information from wiring and grounding recommendations, to troubleshooting and repair.

Installation Instructions in Other Languages

The PowerFlex 750-Series AC drive installation instructions are also available in these languages.

English	This instruction sheet is available in multiple languages at http://rockwellautomation.com/literature . Select publication language and type "750-IN001" in the search field.
Deutsch	Diese Anleitung steht in mehreren Sprachen unter http://rockwellautomation.com/literature zur Verfügung. Wählen Sie Ihre Sprache aus, und geben Sie „750-IN001“ in das Suchfeld ein.
Français	Ces instructions sont disponibles dans différentes langues à l'adresse suivante: http://rockwellautomation.com/literature . Sélectionner la langue puis taper « 750-IN001 » dans le champ de recherche.
Italiano	La presente scheda d'istruzione è disponibile in varie lingue sul sito http://rockwellautomation.com/literature . Selezionare la lingua desiderata e digitare "750-IN001" nel campo di ricerca.
Español	Puede encontrar esta hoja de instrucciones en varios idiomas en http://rockwellautomation.com/literature . Seleccione el idioma de publicación y escriba "750-IN001" en el campo de búsqueda.
Português	Esta folha de instruções está disponível em várias línguas em http://rockwellautomation.com/literature . Selecione a língua de publicação e entre com "750-IN001" no espaço de busca.
中文 (简体)	从以下网页可以获得本说明书的多种语言的版本： http://rockwellautomation.com/literature 。 请选择出版物的语言，并在搜索栏输入“750-IN001”印。
日本	本説明書シートの多言語版は Web サイト http://rockwellautomation.com/literature にて入手できます。出版言語を選択し、検索フィールドに「750-IN001」とタイプしてください。
한국의	설치 지침은 여러 언어로 사용할 수 있습니다 http://rockwellautomation.com/literature . 검색 필드에 출판 언어와 형식 '750-IN001' 를 선택하십시오.
Русский	Данное руководство на других языках можно найти по адресу http://rockwellautomation.com/literature . Выберите язык и введите в окно поиска «750-IN001».
中文 (繁體)	以下網頁提供本說明書的多國語言版本： http://rockwellautomation.com/literature 。請選擇出版語言，並於搜尋欄鍵入“750-IN001”即可。
Český	Tato stránka s pokyny je k dispozici ve více jazykových verzích na adrese http://rockwellautomation.com/literature . Zvolte jazyk publikace a do vstupního pole pro vyhledávání zadejte „750-IN001“.
Polski	Niniejsza instrukcja dostępna jest w wielu językach na stronie http://rockwellautomation.com/literature . Wybrać język publikacji, w polu wyszukiwania wpisać "750-IN001".

Commonly Used Tools

Installation and Service Tools

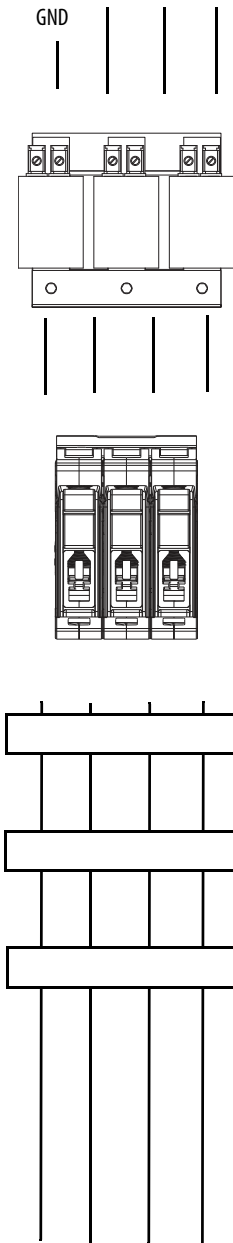
IMPORTANT Do not let tools or hardware components fall into open drive assemblies. Do not energize the drive unless all tools and hardware components have been removed from the drive assemblies and enclosure.

Use these tools to install the drive.

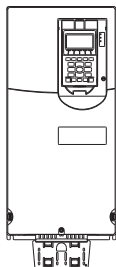
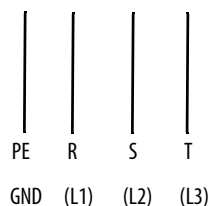
Tool Description	Details
ESD-protected place of work	Work surface, Floor cover, seat, and ground connections
ESD-protective clothing	Wrist wrap, shoes, overall clothing (coat)
Multimeter	Digital multimeter, capable of AC and DC voltage, continuity, resistance, capacitance measurements, and forward diode bias tests. Fluke model 87 III or equivalent.
Allen socket wrench	4 mm, 5 mm
Allen-socket wrench extension	254 mm (10 in.)
Flat-nose screwdriver	5 mm (0.19 in.), 6.4 mm (0.25 in.), 9.5 mm (0.375 in.), #1, #2
Hexalobular screw driver/bit	#15, #20, #25, #40, #45
Hexagonal socket wrench	7 mm, 8 mm, 10 mm, 12 mm, 13 mm, 17 mm, 18 mm
Combination wrench	10 mm, 17 mm
Phillips screw driver/bit	#2, 492-C
Pozidriv	#2, M3 x 7
Torque wrench	1...12 N·m (8.8...106 lb·in)
Torque wrench	6...50 N·m (53...443 lb·in)
Roll-out cart	20-750-CART1-F8 IMPORTANT: The roll-out cart is required to remove Frame 8 and larger drive assemblies from the enclosure.

Line to Load Installation Guidelines

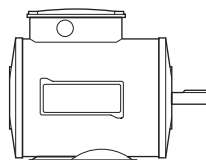
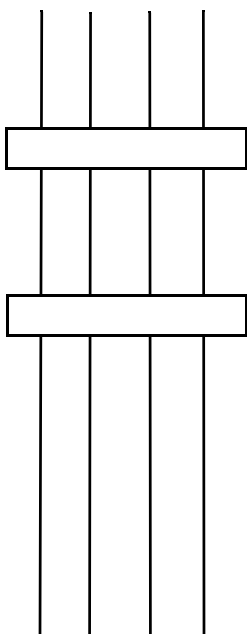
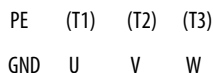
This section provides direction for how and where to find information from line to load on the successful installation and implementation of PowerFlex 750-Series drives.



Topic	PowerFlex 750-Series Drives
AC supply source	Wiring and Grounding Guidelines for Pulse-width Modulated (PWM) AC Drives Installation Instructions, publication DRIVES-IN001 See Chapter 2 – System Configurations.
Input power conditioning	Wiring and Grounding Guidelines for Pulse-width Modulated (PWM) AC Drives Installation Instructions, publication DRIVES-IN001 See Chapter 2 – AC Line Impedance.
	1321 Power Conditioning Products Technical Data, publication 1321-TD001 See this publication for line reactors and isolation transformers.
Input fusing and circuit breakers	PowerFlex 750-Series AC Drives Installation Instructions, publication 750-IN001 See Fuse and Circuit Breaker Ratings on page 177 .
Input power wire and cable	Wiring and Grounding Guidelines for Pulse-width Modulated (PWM) AC Drives Installation Instructions, publication DRIVES-IN001 See Chapter 1 – Input Power Cables.
EMC filters	PowerFlex 750-Series AC Drives Installation Instructions, publication 750-IN001 See Installation Requirements Related to EN 61800-3 and the EMC Directive on page 26 .
Electrical interference	Wiring and Grounding Guidelines for Pulse-width Modulated (PWM) AC Drives Installation Instructions, publication DRIVES-IN001 See Chapter 6 – How Electromechanical Switches Cause Transient Interference.
Grounding	Wiring and Grounding Guidelines for Pulse-width Modulated (PWM) AC Drives Installation Instructions, publication DRIVES-IN001 See Chapter 3 – Grounding.
	PowerFlex 750-Series AC Drives Installation Instructions, publication 750-IN001 See Grounding Requirements on page 155 .



PowerFlex 750-Series Drive



Topic	PowerFlex 750-Series Drives
Jumpers	PowerFlex 750-Series AC Drives Installation Instructions, publication 750-IN001 See Drive Power Jumper Configuration on page 221 .
Mounting considerations	PowerFlex 750-Series AC Drives Installation Instructions, publication 750-IN001 See Minimum Clearances on page 38 and Mounting Considerations on page 39 .
Environment	Industry Installation Guidelines for Pulse-width Modulated (PWM) AC Drives Application Technique, publication DRIVES-AT003 See this publication for information for different enclosure systems and environmental/location considerations (to help protect against environmental contaminants), and power and grounding considerations. PowerFlex 750-Series AC Drives Installation Instructions, publication 750-IN001 See Environmental Specifications on page 39 .
Control and signal cabling	Wiring and Grounding Guidelines for Pulse-width Modulated (PWM) AC Drives Installation Instructions, publication DRIVES-IN001 See Chapter 4 – Wire Routing. PowerFlex 750-Series AC Drives Installation Instructions, publication 750-IN001 See I/O Wiring on page 231 .
Output power cabling	Wiring and Grounding Guidelines for Pulse-width Modulated (PWM) AC Drives Installation Instructions, publication DRIVES-IN001 See Chapter 1 – Motor Cables.
Output devices	Wiring and Grounding Guidelines for Pulse-width Modulated (PWM) AC Drives Installation Instructions, publication DRIVES-IN001 See Chapter 6 – Shielded or Armored Power Cable. 1321 Power Conditioning Products Technical Data, publication 1321-TD001 See this publication for load reactors, RWRs, and common mode chokes/cores. 1204 Terminator Instructions, publication 1204-IN002 See this publication for motor terminators. PowerFlex 750-Series AC Drives Installation Instructions, publication 750-IN001 See Output Contactor Precaution on page 203 .
Cable length	Wiring and Grounding Guidelines for Pulse-width Modulated (PWM) AC Drives Installation Instructions, publication DRIVES-IN001 See Chapter 5 – Length Restrictions for Motor Protection.
Encoder	Wiring and Grounding Guidelines for Pulse-width Modulated (PWM) AC Drives Installation Instructions, publication DRIVES-IN001 See Chapter 1 – Analog Signal and Encoder Cable.
Motor	Wiring and Grounding Guidelines for Pulse-width Modulated (PWM) AC Drives Installation Instructions, publication DRIVES-IN001 See Appendix A – Overview.

Additional Resources

These documents contain additional information concerning related products from Rockwell Automation.

Resource	Description
PowerFlex 750-Series AC Drives Programming Manual, publication 750-PM001	Provides detailed information on: <ul style="list-style-type: none"> • I/O, control, and feedback options • Parameters and programming • Faults, alarms, and troubleshooting
PowerFlex 750-Series AC Drives Technical Data, publication 750-TD001	Provides detailed information on: <ul style="list-style-type: none"> • Drive specifications • Option specifications • Fuse and circuit breaker ratings
PowerFlex 20-HIM-A6 / -C6S HIM (Human Interface Module) User Manual, publication 20HIM-UM001	Provides detailed information on HIM components, operation, features.
PowerFlex 750-Series AC Drives Hardware Service Manual – Frame 8 and Larger, publication 750-TG001	Provides detailed information on: <ul style="list-style-type: none"> • Preventive maintenance • Component testing • Hardware replacement procedures
PowerFlex 755 Drive Embedded EtherNet/IP Adapter User Manual, publication 750COM-UM001	These publications provide detailed information on how to configure, use, and troubleshoot PowerFlex 750-Series communication option modules and adapters.
PowerFlex 750-Series Drive DeviceNet Option Module User Manual, publication 750COM-UM002	
PowerFlex 7-Class Network Communication Adapter User Manuals, publications 750COM-UMxxx	
PowerFlex 750-Series Safe Torque Off User Manual, publication 750-UM002	These publications provide detailed information on how to install, configure, and operate the 750-Series safety option modules.
Safe Speed Monitor Option Module for PowerFlex 750-Series AC Drives Safety Reference Manual, publication 750-RM001	
Wiring and Grounding Guidelines for Pulse-width Modulated (PWM) AC Drives, publication DRIVES-IN001	Provides basic information to properly wire and ground PWM AC drives.
PowerFlex AC Drives in Common Bus Configurations, publication DRIVES-AT002	Provides basic information to properly wire and ground PWM AC drives with a common bus.
Safety Guidelines for the Application, Installation, and Maintenance of Solid-State Control, publication SGI-1.1	Provides general guidelines for the application, installation, and maintenance of solid-state control.
Product Certifications website, http://www.rockwellautomation.com/global/certification/overview.page	Provides declarations of conformity, certificates, and other certification details.

You can view or download publications at <http://www.rockwellautomation.com/global/literature-library/overview.page>. To order paper copies of technical documentation, contact your local Allen-Bradley distributor or Rockwell Automation sales representative.

Read the General Precautions

Qualified Personnel



ATTENTION: Only qualified personnel familiar with adjustable frequency AC drives and associated machinery can plan or implement the installation, start-up, and subsequent maintenance of the system. Failure to comply can result in personal injury and/or equipment damage.

Personal Safety



ATTENTION: To avoid an electric shock hazard, verify that the voltage on the bus capacitors has discharged completely before servicing.

Frames 1...7: Measure the DC bus voltage at the power terminal block by measuring between the +DC and -DC terminals (see [Figure 95](#) and [Figure 14](#) for location) or between the +DC and -DC test point sockets, if equipped. Also measure between the +DC terminal or test point and the chassis, and between the -DC terminal or testpoint and the chassis. The voltage must be zero for all three measurements.

Frames 8...10: Measure the DC bus voltage at the DC+ and DC- TESTPOINT sockets on the front of the power module (see [Figure 98](#) for location).



ATTENTION: Hazard of personal injury or equipment damage exists when using bipolar input sources. Noise and drift in sensitive input circuits can cause unpredictable changes in motor speed and direction. Use speed command parameters to help reduce input source sensitivity.



ATTENTION: Risk of injury or equipment damage exists. DPI™ or SCANport™ host products must not be directly connected together via 1202 cables. Unpredictable behavior can result if two or more devices are connected in this manner.



ATTENTION: The drive start/stop/enable control circuitry includes solid-state components. If hazards due to accidental contact with moving machinery or unintentional flow of liquid, gas, or solids exist, an additional hardwired stop circuit can be required to remove the AC line to the drive. An auxiliary braking method can be required.



ATTENTION: Hazard of personal injury or equipment damage due to unexpected machine operation exists if the drive is configured to automatically issue a Start or Run command. Do not use these functions without considering applicable local, national, and international codes, standards, regulations, or industry guidelines.

Product Safety



ATTENTION: An incorrectly applied or installed drive can result in component damage or a reduction in product life. Wiring or application errors such as an under-size motor, incorrect or inadequate AC supply, a corrosive environment, or excessive surrounding air temperatures can result in malfunction of the system.



ATTENTION: This drive contains ESD (Electrostatic Discharge) sensitive parts and assemblies. Static control precautions are required when you install, test, service, or repair this assembly. Component damage can result if ESD control procedures are not followed. If you are not familiar with static control procedures, see an applicable ESD protection handbook.



ATTENTION: If you configure an analog input for 0...20 mA operation and drive it from a voltage source, you can cause component damage. Verify proper configuration before you apply any input signals.

Class 1 Light-emitting Diode Product



ATTENTION: Hazard of permanent eye damage exists when using optical transmission equipment. This product emits intense light and invisible radiation. Do not look into module ports or fiber-optic cable connectors.

Waste Electrical and Electronic Equipment



At the end of its life, this equipment should be collected separately from any unsorted municipal waste.

Prepare for Installation

Catalog Number Explanation.

1...3	4	5	6	7	8...10	11	12	13	14	15	16	17	18	
20G	1	A	N	D	248	A	A	O	N	N	N	N	N	LD - P3 - P11...
<i>a</i>	<i>b</i>	<i>c</i>	<i>d</i>	<i>e</i>	<i>f1...f6</i>	<i>g</i>	<i>h</i>	<i>i</i>	<i>Positions 14...18 are not used.</i>					

a

Drive		
Code	Type	Frames
20F	PowerFlex® 753	1...7
20G	PowerFlex 755	1...10
21G	PowerFlex 755 Drive with Options	8...10

b

Future Use		

c

Input Type		
Code	Description	Frames
1	AC Input with Precharge, includes DC Terminals	1...5 8...10
4	DC Input with Precharge	5...10
A	AC Input with Precharge, no DC Terminals	6...8 ⁽¹⁾

(1) The DC Bus Bar kit (20-750-DCBB1-Fx) is available for Frames 6...7 AC input drives that require DC bus terminals.

d

Enclosure		
Code	Description	Frames
R	IP20, NEMA/UL Type Open, Frame 1	1
F ⁽¹⁾	Flange (NEMA/UL Type 4X/12 back)	2...5
G	IP54, NEMA/UL Type 12	2...7
N ⁽²⁾	IP20/IP00, NEMA/UL Type Open	2...7
B ⁽³⁾	IP20, NEMA/UL Type 1, 600 mm (23.6 in.) Deep, Standard Cabinet Color (RAL 7032)	8...10
J ⁽³⁾	IP54, UL Type 12, 800 mm (31.5 in.) Deep, Standard Cabinet Color (RAL 7032)	8...10
K ⁽³⁾	IP54, NEMA 12, 2500 MCC Style Cabinet and Options w/MCC Power Bus, 800 mm (31.5 in.) Deep, Standard Cabinet Color (RAL 7032)	8...10
L ⁽³⁾	IP20, NEMA/UL Type 1, 800 mm (31.5 in.) Deep, Standard Cabinet Color (RAL 7032)	8...10
p ⁽³⁾	IP20, NEMA/UL Type 1, 2500 MCC Style Cabinet and Options w/MCC Power Bus, 800 mm (31.5 in.) Deep, Standard Cabinet Color (RAL 7032)	8...10
W ⁽³⁾	IP20, NEMA/UL Type 1, 2500 MCC Style Cabinet and Options w/MCC Power Bus, 800 mm (31.5 in.) Deep, CenterLine 2100 Gray (ASA49)	8...10
Y ⁽³⁾	IP54, NEMA 12, 2500 MCC Style Cabinet and Options w/MCC Power Bus, 800 mm (31.5 in.) Deep, CenterLine 2100 Gray (ASA49)	8...10
T	IP00, UL Open Type without Control POD	8...10

- (1) For Frames 6...7, a user installed flange kit (20-750-FLNG4-Fx) is available to convert a Code N drive that provides a NEMA/UL Type 4X/12 back.
- (2) Frames 2...5 are IP20, Frames 6...7 are IP00.
- (3) Available as a drive with options (21G).

e

Voltage Rating	
Code	Voltage
B	240V AC (208V AC) ⁽¹⁾ / 325V DC (281V DC) ⁽¹⁾
C	400V AC/540V DC
D	480V AC/650V DC
E	600V AC/810V DC
F	690V AC/932V DC (not UL Listed)

(1) Drive must be programmed to obtain low (208V AC) voltage rating.

f1

ND Rating								
208V ⁽¹⁾ , 60 Hz Input								
Code	Amps	kW	Frame					
			Enclosure Code					
			B, J, L, T	F	G	N	K, P, W, Y	R
2P2	2.5	0.37						
4P2	4.8	0.75						
6P8	7.8	1.5						1
9P6	11	2.2						
015	15.3	4						
2P2	2.5	0.37						
4P2	4.8	0.75						
6P8	7.8	1.5		2	2	2		
9P6	11	2.2						
015	17.5	4						
022	22	5.5						
028	32.2	7.5						
042	43	11		3	3	3		
054	60	15		4	4	4		
070	78.2	18.2		5	5	5		
080	92	22						
104	120	30						
130	150	37						
154	177	45		(2)		6		
192	221	55						
260	260	66						
312	359	90				7		
360	414	110		(2)		7		
477	477	132						

- (1) Drive must be programmed to obtain low (208VAC) voltage rating.
- (2) For Frames 6 and 7, a user-installed flange kit (20-750-FLNG4-Fx) is available to convert a Code N drive that provides a NEMA/UL Type 4X/12 back.

f2

ND Rating								
240V, 60 Hz Input								
Code	Amps	Hp	Frame					
			Enclosure Code					
			B, J, L, T	F	G	N	K, P, W, Y	R
2P2	2.2	0.5						
4P2	4.2	1						
6P8	6.8	2						1
9P6	9.6	3						
015	15.3	5						
2P2	2.2	0.5						
4P2	4.2	1						
6P8	6.8	2		2	2	2		
9P6	9.6	3						
015	15.3	5						
022	22	7.5						
028	28	10						
042	42	15		3	3	3		
054	54	20		4	4	4		
070	70	25		5	5	5		
080	80	30						
104	104	40						
130	130	50						
154	154	60		(1)		6		
192	192	75						
260	260	100						
312	312	125						
360	360	150		(1)		7		
477	477	200						

(1) For Frames 6 and 7, a user-installed flange kit (20-750-FLNG4-Fx) is available to convert a Code N drive that provides a NEMA/UL Type 4X/12 back.

Catalog Number Explanation (continued).

1...3 4 5 6 7 8...10 11 12 13 14 15 16 17 18
20G 1 A N D 248 A A O N N N N N LD - P3 - P11...
a b c d e f1...f6 g h i Positions 14...18 are not used.

f3								
ND Rating								
400V, 50 Hz Input								
Code	Amps	kW	Frame				R	
			Enclosure Code					
			B, J, L, T	F	G	N	K, P, W, Y	
2P1	2.1	0.75						1
3P5	3.5	1.5						
5P0	5.0	2.2						
8P7	8.7	4		2	2	2		
011	11.5	5.5						
015	15.4	7.5						
022	22	11						
030	30	15						
037	37	18.5		3	3	3		
043	43	22						
060	60	30	-	4	4	4	-	
072	72	37			5			
085	85	45		5		5		
104	104	55						
140	140	75						
170	170	90			6		6	
205	205	110						
260	260	132		(1)				
302	302	160						
367	367	200			7	7		
456	456	250						
460	460	250	8	-	-	-	8 ⁽²⁾	-
477	477	270	-	(1)	-	7	-	
540	540	315						
567	567	315						
650	650	355	8				8 ⁽²⁾	
750	750	400						
770	770	400						
910	910	500						
1K0	1040	560		-	-	-		
1K1	1090	630						
1K2	1175	710	9				9 ⁽²⁾	
1K4	1465	800						
1K5	1480	850						
1K6	1590	900						
2K1	2150	1250	10				10 ⁽²⁾	

- (1) For Frames 6...7, a user installed flange kit (20-750-FLNG4-Fx) is available to convert a Code N drive that provides a NEMA/UL Type 4X/12 back.
- (2) Available as a drive with options (21G).

f4								
ND Rating								
480V, 60 Hz Input								
Code	Amps	Hp	Frame				R	
			Enclosure Code					
			B, J, L, T	F	G	N	K, P, W, Y	
2P1	2.1	1						1
3P4	3.4	2						
5P0	5.0	3						
8P0	8.0	5		2	2	2		
011	11	7.5						
014	14	10						
022	22	15						
027	27	20						
034	34	25		3	3	3		
040	40	30						
052	52	40	-	4	4	4	-	
065	65	50			5			
077	77	60		5		5		
096	96	75						
125	125	100						
156	156	125				6	6	
186	186	150						
248	248	200		(1)				
302	302	250						
361	361	300			7	7		
415	415	350						
430	430	350	8	-	-	-	8 ⁽²⁾	-
477	477	400	-	(1)	-	7	-	
485	485	400						
545	545	450						
617	617	500	8				8 ⁽²⁾	
710	710	600						
740	740	650						
800	800	700						
960	960	800		-	-	-		
1K0	1045	900						
1K2	1135	1000	9				9 ⁽²⁾	
1K3	1365	1100						
1K4	1420	1250						
1K5	1525	1350						
2K0	2070	1750	10				10 ⁽²⁾	

- (1) For Frames 6...7, a user installed flange kit (20-750-FLNG4-Fx) is available to convert a Code N drive that provides a NEMA/UL Type 4X/12 back.
- (2) Available as a drive with options (21G).

f5								
ND Rating								
600V, 60 Hz Input								
Code	Amps	Hp	Frame				R	
			Enclosure Code					
			B, J, L, T	F	G	N	K, P, W, Y	
1P7	1.7	1						
2P7	2.7	2						
3P9	3.9	3						
6P1	6.1	5		3	3	3		
9P0	9	7.5						
011	11	10						
012 ⁽¹⁾	12	10		-	6	6		
017	17	15		3	3	3		
018 ⁽¹⁾	18	15		-	6	6		
022	22	20		3	3	3		
023 ⁽¹⁾	23	20						
024 ⁽¹⁾	24	20		-	6	6		
027	27	25		4	4	4		
028 ⁽¹⁾	28	25		-	6	6		
032	32	30		4	4	4		
033 ⁽¹⁾	33	30		-	6	6		
041	41	40		5	5	5		
042 ⁽¹⁾	42	40		-	6	6		
052	52	50		5	-	5		
053 ⁽¹⁾	53	50						
063	63	60						
077	77	75						
099	99	100						
125	125	125		(2)				
144	144	150						
192	192	200						
242	242	250			7	7		
289	289	300						
295	295	300						
355	355	350						
395	395	400						
435	435	450	8				8 ⁽³⁾	
460	460	500						
510	510	500						
595	595	600						
630	630	700						
760	760	800						
825	825	900						
900	900	950	9				9 ⁽³⁾	
980	980	1000						
1K1	1110	1100						
1K4	1430	1400	10				10 ⁽³⁾	

- (1) Required for uncontrolled common DC bus applications. Optional for all AC applications.
- (2) For Frames 6...7, a user installed flange kit (20-750-FLNG4-Fx) is available to convert a Code N drive that provides a NEMA/UL Type 4X/12 back.
- (3) Available as a drive with options (21G).

Catalog Number Explanation (continued).

1...3 4 5 6 7 8...10 11 12 13 14 15 16 17 18
20G 1 A N D 248 A A O N N N N N LD - P3 - P11...
a b c d e f1...f6 g h i Positions 14...18 are not used.

f6

ND Rating			Frame							
690V, 50 Hz Input (not UL Listed)			Enclosure Code							
Code	Amps	kW	B, J, L, T	F	G	N	K, P, W, Y	R		
			012	12	7.5					
015	15	11								
020	20	15								
023	23	18.5								
030	30	22								
034	34	30								
046	46	37			6	6				
050	50	45								
061	61	55								
082	82	75								
098	98	90		(1)						
119	119	110								
142	142	132								
171	171	160								
212	212	200			7	7				
263	263	250								
265	265	250								
330	330	315								
370	370	355								
415	415	400	8						8 ⁽²⁾	
460	460	450								
500	500	500								
590	590	560								
650	650	630								
710	710	710								
765	765	750	9						9 ⁽²⁾	
795	795	800								
960	960	900								
1K0	1040	1000								
1K4	1400	1400	10						10 ⁽²⁾	

- (1) For Frames 6...7, a user installed flange kit (20-750-FLNG4-Fx) is available to convert a Code N drive that provides a NEMA/UL Type 4X/12 back.
- (2) Available as a drive with options (21G).

i

Door Mounted HIM (Frames 8...10)	
Code	Operator Interface
0	No Door Mounted HIM
2	Enhanced LCD, Full Numeric, IP20
4	Enhanced LCD, Full Numeric, IP66 NEMA Type 4X/12

PowerFlex 755 w/Options (21G)
Required Selections

Code	Option	Frames	Type
LD	Light Duty	8...10	System Overload Duty Cycle ⁽¹⁾
ND	Normal Duty		
HD	Heavy Duty		
P3	Input Thermal-magnetic Circuit Breaker	8...10	Power Disconnect ⁽¹⁾
P5	Input Non-Fused Molded Case Disconnect Switch	8 Only	
P14	Wiring Only Bay	8...10	Wiring Only Bay

- (1) Only one option of this type can be selected.

PowerFlex 755 w/Options (21G)
Additional Selections

Code	Option	Frames	Type
P11	Input Contactor	8 Only	Contactors ⁽¹⁾⁽²⁾
P12	Output Contactor		
L1	3% Input Reactor	8...9	Reactors ⁽¹⁾
L2	3% Output Reactor		
L3	5% Input Reactor		
L4	5% Output Reactor		
P20	1200 A Bus	8...10	MCC Power Bus Capacity ⁽¹⁾
P22	2000 A Bus		
P24	3000 A Bus		
P30	UPS Control Bus, DC Input w/Precharge only	8...10	UPS Control Bus
X1	Auxiliary Transformer (500VA available), IP20 Cabinet Only	8 Only ⁽³⁾	Auxiliary Power

- (1) Only one option of this type can be selected.
- (2) Contactor options are not available for systems with MCC power bus.
- (3) Standard on all other cabinet configurations.

g

Filtering and CM Cap Configuration		
Code	Filtering	Default CM Cap Connection
A	Yes	Jumper Removed
J	Yes	Jumper Installed

h

Dynamic Braking ⁽¹⁾		
Code	Internal Resistor ⁽²⁾	Internal Transistor ⁽³⁾
A	No	Yes
N	No	No

- (1) Not available on Frames 8...10, specify Code 'N'.
- (2) Frames 1...2 only. Internal Resistor kits (20-750-DB1-Dx) sold separately.
- (3) Standard on Frames 1...5, optional on 6...7.

Wall Mount Frames 1...7 Drive Rating Cross-references

Reference the drive nameplate with [Table 1](#), [Table 2](#), or [Table 3](#) to determine the drive rating for your wall mount drive.



Drive Nameplate 1, Wall Mount Frames 1...7

Table 1 - Drive Rating Cross-reference for 208V and 240V Drives

Drive Code	2		1				
	Input Voltage and Normal Duty Amp Rating		Enclosure Code				
	208V/240V AC		F	G	N	R	
20F or 20G	B2P2		2	2	2	1	Wall Mount Frame
20F or 20G	B4P2						
20F or 20G	B6P8						
20F or 20G	B9P6						
20F or 20G	B015						
20F or 20G	B022		3	3	3		
20F or 20G	B028						
20F or 20G	B042						
20F or 20G	B054		4	4	4		
20F or 20G	B070		5	5	5		
20F or 20G	B080						
20F or 20G	B104		6 (Kit)	6	6		
20F or 20G	B130						
20F or 20G	B154						
20F or 20G	B192						
20F or 20G	B260		7 (Kit)	7	7		
20F or 20G	B312						
20F or 20G	B360						
20F or 20G	B477		-	-	-		

Table 2 - Drive Rating Cross-reference for 400V and 480V Drives



Drive Nameplate 1, Wall Mount Frames 1...7

Drive Code	2		1							
	Input Voltage and Normal Duty Amp Rating		Enclosure Code							
	400V AC	480V AC	F	G	N	R				
20F or 20G	C2P1	D2P1	2	2	2	1	Wall Mount Frame			
20F or 20G	C3P5	D3P4								
20F or 20G	C5P0	D5P0								
20F or 20G	C8P7	D8P0								
20F or 20G	C011	D011								
20F or 20G	C015	D014								
20F or 20G	C022	D022								
20F or 20G	C030	D027								
20F or 20G	C037	D034						3	3	3
20F or 20G	C043	D040								
20F or 20G	C060	D052	4	4	4					
20F or 20G	C072	D065								
20F or 20G	C085	D077	5	5	5					
20F or 20G	C104	D096								
20F or 20G	C140	D125	6 (Kit)	6	6					
20F or 20G	C170	D156								
20F or 20G	C205	D186								
20F or 20G	C260	D248	7 (Kit)	7	7					
20F or 20G	C302	D302								
20F or 20G	C367	D361								
20F or 20G	C456	D415								
20F or 20G	C477	D477	-	-	-					



Drive Nameplate 1, Wall Mount Frames 1...7

Table 3 - Drive Rating Cross-reference for 600V and 690V Wall Mount Drives

Drive Code	2		1			
	Input Voltage and Normal Duty Amp Rating		Enclosure Code			
	600V AC	690V AC	F	G	N	R
20F or 20G	E1P7	—	3	3	3	—
20F or 20G	E2P7					
20F or 20G	E3P9					
20F or 20G	E6P1					
20F or 20G	E9P0					
20F or 20G	E011					
20F or 20G	E012	F012				
20F or 20G	E017	—	3	3	3	
20F or 20G	E018	F015	6 (Kit)	6	6	
20F or 20G	E022	—	3	3	3	
20F or 20G	E023	F020	6 (Kit)	6	6	
20F or 20G	E024	F023				
20F or 20G	E027	—	4	4	4	
20F or 20G	E028	F030	6 (Kit)	6	6	
20F or 20G	E032	—	4	4	4	
20F or 20G	E033	F034	6 (Kit)	6	6	
20F or 20G	E041	—	5	5	5	
20F or 20G	E042	F046	6 (Kit)	6	6	
20F or 20G	E052	—	5	—	5	
20F or 20G	E053	F050	6 (Kit)	6	6	
20F or 20G	E063	F061				
20F or 20G	E077	F082				
20F or 20G	E099	F098				
20F or 20G	E125	F119				
20F or 20G	E144	F142				
20F or 20G	E192	F171				
20F or 20G	E242	F212	7 (Kit)	7	7	
20F or 20G	E289	F263				

Wall Mount Frame

Floor Mount Frames 8...10 Drive Rating Cross-references

Reference the drive nameplate with [Table 4](#) to determine the drive rating for your floor mount drive.



Drive Nameplate 1, Floor Mount Frames 8...10

Table 4 - Drive Rating Cross-reference for 400V, 480V, 600V, and 690V Floor Mount Drives

Drive Code	2				1				
	Input Voltage and Normal Duty Amp Rating				Enclosure Code				
	400V AC	480V AC	600V AC	690V AC	B	L, J	P, K	W, Y	
20G or 21G	C460	D430	E295	F265	8	8	8	8	Floor Mount Frame
20G or 21G	C540	D485	E355	F330					
20G or 21G	C567	D545	E395	F370					
20G or 21G	C650	D617	E435	F415					
20G or 21G	C750	D710	E460	F460					
20G or 21G	C770	D740	E510	F500					
20G or 21G	C910	D800	E595	F590					
20G or 21G	C1K0	D960	E630	F650					
20G or 21G	C1K1	D1K0	E760	F710	9	9	9	9	
20G or 21G	C1K2	D1K2	E825	F765					
20G or 21G	C1K4	D1K3	E900	F795					
20G or 21G	C1K5	D1K4	E980	F960					
20G or 21G	C1K6	D1K5	E1K1	F1K0	10	10	10	10	
20G or 21G	C2K1	D2K0	E1K4	F1K4					

CE Conformity

Compliance with the Low Voltage Directive and Electromagnetic Compatibility Directive has been demonstrated using harmonized European Norm (EN) standards, which are referenced by the Official Journal of the European Union. PowerFlex 750-Series drives comply with the EN standards that are listed in this section when installed according to these installation instructions.

EU Declarations of Conformity are available online at:

<http://www.rockwellautomation.com/global/certification/overview.page>

Low Voltage Directive

EN 61800-5-1 Adjustable speed electrical power drive systems –Part 5-1: Safety requirements – Electrical, thermal and energy.

EMC Directive

EN 61800-3 Adjustable speed electrical power drive systems – Part 3: EMC product standard including specific test methods.

General Considerations

This section lists additional items to consider to meet CE conformity:

- For EU compliance, drives must satisfy installation requirements that are related to both EN 61800-5-1 and EN 61800-3 provided in this document.
- PowerFlex 750-Series AC Drives comply with the EMC requirements of EN 61800-3 when installed according to good EMC practices and the instructions that are provided in this document. However, many factors can influence the EMC compliance of an entire machine or installation, and compliance of the drive itself does not mean compliance of all applications.
- PowerFlex 750-Series drives are not intended to be used on public low-voltage networks that supply domestic premises. Without additional mitigation, radio frequency interference is expected if used on such a network. The installer is responsible to take measures such as supplementary line filters and enclosures to help prevent interference, and the installation requirements of this document.



ATTENTION: NEMA/UL Open Type and flange mount drives must be installed in a supplementary enclosure, or be equipped with a NEMA Type 1 Kit to be CE-compliant regarding protection against electrical shock.

- Requirements for supplementary mitigation that is related to specific high-frequency emission limits are provided in [Table 5 on page 28](#).
- PowerFlex 750-Series drives generate harmonic current emissions on the AC supply system. When operated on a public low-voltage network it is the responsibility of the installer or user to verify that applicable requirements of the distribution network operator have been met. Consultation with the network operator and Rockwell Automation can be necessary.



ATTENTION: PowerFlex 750-Series drives produce DC current in the protective earthing conductor that can reduce the ability of RCDs (residual current-operated protective devices) or RCMs (residual current-operated monitoring devices) of type A or AC to provide protection for other equipment in the installation. Where an RCD or RCM is used for protection from direct or indirect contact, only an RCD or RCM of Type B is allowed on the supply side of this product.

Installation Requirements Related to EN 61800-5-1 and the Low Voltage Directive

This section lists installation requirements that are related to EN 61800-5-1 and the Low Voltage Directive.

Frame 1 Drives

Voltage classes up to 480V PowerFlex 750-Series Frame 1 drives can only be used on a ‘center grounded’ supply system for altitudes up to and including 2000 m (6562 ft).

Frame 2 and Larger Drives

Voltage classes up to 690V, PowerFlex 750-Series Frame 2 and larger drives, are compliant with the CE LV Directive when used on a ‘corner-earthed’ supply system, and all other common supply systems, for altitudes up to and including 2000 m (6562 ft).

When used at altitudes above 2000 m (6562 ft) up to a maximum of 4800 m (15,748 ft), PowerFlex 750-Series drives of voltage classes up to 480V cannot be powered from a ‘corner-earthed’ supply system to maintain compliance with the CE LV Directive. Altitude derating curves are provided in the PowerFlex 750-Series AC Drives Technical Data, publication [750-TD001](#).

All Drive Frames

Drives that are provided in the IP54, NEMA/UL Type 12 enclosure are compliant with the CE LV Directive when installed in pollution degree 1...4 environments. All other enclosure types must be installed in a pollution degree 1 or 2 environment to be compliant with the CE LV Directive.

Characteristics of the different pollution degree ratings are provided in the PowerFlex 750-Series AC Drives Technical Data, publication [750-TD001](#).

PowerFlex 750-Series drives produce leakage current in the protective earthing conductor that exceeds 3.5 mA AC and/or 10 mA DC. The minimum size of the protective earthing (grounding) conductor that is used in the application must comply with local safety regulations for high-protective earthing conductor current equipment.



ATTENTION: PowerFlex 750-Series drives produce DC current in the protective earthing conductor which can reduce the ability of RCDs (residual current-operated protective devices) or RCMs (residual current-operated monitoring devices) of type A or AC to provide protection for other equipment in the installation. Where an RCD or RCM is used for protection from direct or indirect contact, only an RCD or RCM of Type B is allowed on the supply side of this product.

Installation Requirements Related to EN 61800-3 and the EMC Directive

This section lists installation requirements that are related to EN 61800-3 and the EMC Directive:

- The drive must be earthed (grounded) as described in [Power Wiring on page 155](#).
- Output power wiring to the motor must use cable with a braided shield that provides 75% or greater coverage, or the cables must be housed in metal conduit, or equivalent shielding must be provided. Continuous shielding must be provided from the drive enclosure to the motor enclosure. Both ends of the motor cable shield (or conduit) must terminate with a low-impedance connection to earth.

Wall Mount Drive Frames 1...7: At the drive end of the motor cable, either

- The cable shield must be clamped to a properly installed ‘EMC plate’ for the drive. Kit catalog number 20-750-EMCx-Fx (where Fx is the frame size of the drive). See PowerFlex 750-Series EMC Plate and Core(s) – Frames 1...7, publication [750-IN006](#), for details.

or

- The cable shield or conduit must terminate in a shielded connector that is installed in a conduit plate or conduit box that is provided in the “NEMA Type 1 Kit” for the drive. Kit catalog number 20-750-NEMA1-F x (where x is the frame size of the drive). See PowerFlex 750-Series NEMA/UL Type 1 Kits – Frames 1...7, publication [750-IN008](#), for details.

Floor Mount Drive Frames 8 and larger: At the drive end of the motor cable, terminate the shield at the PE grounding bar (see [Floor Mount Frames 8...10 Bus Bar Locations on page 166](#)).

- At the motor end, the motor cable shield or conduit must terminate in a shielded connector that must be properly installed in an earthed motor wiring box that is attached to the motor. The motor wiring box cover must be installed and earthed.
- All control (I/O) and signal wiring to the drive must use cable with a braided shield that provides 75% or greater coverage, or the cables must be housed in metal conduit, or equivalent shielding must be provided. When shielded cable is used, the cable shield is terminated with a low-impedance connection to earth at only one end of the cable, preferably the end where the receiver is located. When the cable shield is terminated at the drive end, it can be terminated by using a shielded connector with a conduit plate or conduit box, or the shield can be clamped to an ‘EMC plate’.
- Motor cables must be separated from control and signal wiring wherever possible.
- Maximum motor-cable length must not exceed the maximum length that is shown in [Table 5 on page 28](#) for compliance with radio-frequency emission limits for the specific standard and installation environment.
- EMC cores must be applied to input power and motor cables for some models of the PowerFlex 750-Series drives as indicated in [Table 5 on page 28](#).
- The drive must be powered from an earthed supply system such as a TN or TT system and the PE-A and PE-B jumpers in the drive must be installed (see [Drive Power Jumper Configuration on page 221](#)).
- IP00 and NEMA/UL Open Type Frame 8 and higher frames must be installed in suitable supplementary EMC enclosures to achieve compliance with EN 61800-3.

Table 5 - PowerFlex 750-Series 208V/240V and 400V/480V Input Drives RF Emission Compliance and Installation Requirements

Drive Frame Catalog Number	Standard and Limits			
	EN 61800-3 Category C1 EN 61000-6-3 CISPR11 Group 1 Class B	EN 61800-3 Category C2 EN 61000-6-4 CISPR11 Group 1 Class A (Input Power ≤ 20 kVA)	EN 61800-3 Category C3 (I ≤ 100 A) CISPR11 Group 1 Class A (Input Power > 20 kVA)	EN 61800-3 Category C3 I > 100 A
Wall Mount Frame 1 20F11xx2P1...20F11xx015 20G11xx2P1...20G11xx015	N/A	30 m (98.4 ft) motor cable limit with each wire looped once around an input core. ^{(1) (2)}	30 m (98.4 ft) motor cable limit with each wire looped once around an input core. ⁽¹⁾	N/A
Wall Mount Frame 2 20F11xx2P1...20F11xx022 20G11xx2P1...20G11xx022	150 m (492.1 ft) cable limit with Schaffner FN3258-30- <i>nn</i> filter. Supplementary EMC enclosure is required to provide attenuation of radiated emissions.	30 m (98.4 ft) motor cable limit with input core. ⁽¹⁾ 150 m (492.1 ft) motor cable limit with Schaffner FN3258-30- <i>nn</i> filter.	30 m (98.4 ft) motor cable limit with input core. ⁽¹⁾ 150 m (492.1 ft) motor cable limit with Schaffner FN3258-30- <i>nn</i> filter.	N/A
Wall Mount Frame 3 20F11xx028...20F11xx043 20G11xx028...20G11xx043	150 m (492.1 ft) cable limit with Schaffner FN3258-55- <i>nn</i> filter. Supplementary EMC enclosure is required to provide attenuation of radiated emissions.	30 m (98.4 ft) motor cable limit with input core. ⁽¹⁾ 150 m (492.1 ft) motor cable limit with Schaffner FN3258-55- <i>nn</i> filter.	30 m (98.4 ft) motor cable limit with input core. ⁽¹⁾ 150 m (492.1 ft) motor cable limit with Schaffner FN3258-55- <i>nn</i> filter.	N/A
Wall Mount Frame 4 20F11xx054...20F11xx072 20G11xx054...20G11xx072	150 m (492.1 ft) cable limit with Schaffner FN3258-75- <i>nn</i> filter. Supplementary EMC enclosure is required to provide attenuation of radiated emissions.	30 m (98.4 ft) motor cable limit with input and output cores. ⁽¹⁾ 150 m (492.1 ft) motor cable limit with Schaffner FN3258-75- <i>nn</i> filter.	30 m (98.4 ft) motor cable limit with input and output cores. ⁽¹⁾ 150 m (492.1 ft) motor cable limit with Schaffner FN3258-75- <i>nn</i> filter.	N/A
Wall Mount Frame 5 20F11xx070...20F11xx104 20G11xx070...20G11xx104	150 m (492.1 ft) cable limit with Schaffner FN3258-130- <i>nn</i> filter. Supplementary EMC enclosure is required to provide attenuation of radiated emissions.	30 m (98.4 ft) motor cable limit with input and output cores. ⁽¹⁾ 150 m (492.1 ft) motor cable limit with Schaffner FN3258-130- <i>nn</i> filter.	30 m (98.4 ft) motor cable limit with input and output cores. ⁽¹⁾ 150 m (492.1 ft) motor cable limit with Schaffner FN3258-130- <i>nn</i> filter.	30 m (98.4 ft) motor cable limit with input and output cores. ⁽¹⁾ 150 m (492.1 ft) motor cable limit with Schaffner FN3258-130- <i>nn</i> filter.
Wall Mount Frame 6 20F11xx80...20F11xx260 20G11xx80...20G11xx260	150 m (492.1 ft) cable limit with 22-RFD323 filter. Supplementary EMC enclosure is required to provide attenuation of radiated emissions.	100 m (328.1 ft) motor cable limit with Schaffner FN3359-320- <i>nn</i> filter. 150 m (492.1 ft) motor cable limit with 22-RFD323 filter. Supplementary EMC enclosure is required to provide attenuation of radiated emissions.	30 m (98.4 ft) motor cable limit with no filter. ⁽³⁾ 100 m (328.1 ft) motor cable limit with Schaffner FN3359-320- <i>nn</i> filter. 150 m (492.1 ft) motor cable limit with 22-RFD323 filter.	30 m (98.4 ft) motor cable limit with no filter. ⁽³⁾ 100 m (328.1 ft) motor cable limit with Schaffner FN3359-320- <i>nn</i> filter. 150 m (492.1 ft) motor cable limit with 22-RFD323 filter.
Wall Mount Frame 7 20F11xx248...20F11xx477 20G11xx248...20G11xx477	150 m (492.1 ft) cable limit with 22-RFD480 filter. Supplementary EMC enclosure is required to provide attenuation of radiated emissions.	150 m (492.1 ft) motor cable limit with Schaffner FN3359-600- <i>nn</i> filter. 150 m (492.1 ft) motor cable limit with 22-RFD480 filter. Supplementary EMC enclosure is required to provide attenuation of radiated emissions.	30 m (98.4 ft) motor cable limit with no filter. ⁽³⁾ 150 m (492.1 ft) motor cable limit with Schaffner FN3359-600- <i>nn</i> filter. 150 m (492.1 ft) motor cable limit with 22-RFD480 filter.	30 m (98.4 ft) motor cable limit with no filter. ⁽³⁾ 150 m (492.1 ft) motor cable limit with Schaffner FN3359-600- <i>nn</i> filter. 150 m (492.1 ft) motor cable limit with 22-RFD480 filter.
Floor Mount Frame 8 – AC Input 20G1Axx460...20G1Axx770 21G1Axx460...21G1Axx770	Compliance possible with supplementary mitigation (consult factory)	Compliance possible with supplementary mitigation (consult factory)	30 m (98.4 ft) motor cable limit ⁽³⁾ with output core. ⁽⁴⁾	30 m (98.4 ft) motor cable limit ⁽³⁾ with output core. ⁽⁴⁾
Floor Mount Frame 9 – AC Input 20G11xx910...20G11xx1K5 21G11xx910...21G11xx1K5	Compliance possible with supplementary mitigation (consult factory)	Compliance possible with supplementary mitigation (consult factory)	30 m (98.4 ft) motor cable limit ⁽³⁾ with output core ⁽⁴⁾ and input core.	30 m (98.4 ft) motor cable limit ⁽³⁾ with output core ⁽⁴⁾ and input core.
Floor Mount Frame 10 – AC Input 20G11xx1K6...20G11xx2K1 21G11xx1K6...21G11xx2K1	Compliance possible with supplementary mitigation (consult factory)	Compliance possible with supplementary mitigation (consult factory)	30 m (98.4 ft) motor cable limit ⁽³⁾ with output core ⁽⁴⁾ and input core. With door shielding kit installed. ⁽⁵⁾	30 m (98.4 ft) motor cable limit ⁽³⁾ with output core ⁽⁴⁾ and input core. With door shielding kit installed. ⁽⁵⁾
Floor Mount Frames 8...9 – Common DC Input 20G14xx460...20G14xx1K5 21G14xx460...21G14xx1K5	Compliance possible with supplementary mitigation (consult factory)	Compliance possible with supplementary mitigation (consult factory)	30 m (98.4 ft) motor cable limit ⁽³⁾ with output core ⁽⁴⁾ and input core. ⁽⁶⁾	30 m (98.4 ft) motor cable limit ⁽³⁾ with output core ⁽⁴⁾ and input core. ⁽⁶⁾
Floor Mount Frame 10 – Common DC Input 20G14xx1K6...20G14xx2K1 21G14xx1K6...21G14xx2K1	Compliance possible with supplementary mitigation (consult factory)	Compliance possible with supplementary mitigation (consult factory)	30 m (98.4 ft) motor cable limit ⁽³⁾ with output core ⁽⁴⁾ and input core. ⁽⁶⁾ With door shielding kit installed. ⁽⁵⁾	30 m (98.4 ft) motor cable limit ⁽³⁾ with output core ⁽⁴⁾ and input core. With door shielding kit installed. ⁽⁵⁾

More Stringent Limits ←

→ Less Stringent Limits

- (1) Rating-specific EMC cores are part of EMC kit numbers 20-750-EMC1-*nn* and 20-750-EMC2-*nn*.
- (2) To meet the C2 rating with a Dual Encoder module installed, Frame 1 drives must be installed in a supplementary EMC enclosure to attenuate radiated emissions.
- (3) Intended to be powered from an industrial power network that is supplied by a dedicated power transformer or generator and not from LV power lines that supply other customers.
- (4) EMC kit number 20-750-EMCCM1-F8. Kit contains one core. Each drive assembly requires one EMC kit. Order one kit for a Frame 8 drive, two kits for a Frame 9 drive, three kits for a Frame 10 drive.
- (5) Door-shielding kit number 20-750-EMCDK1-F10. Kit contains shield brackets for three doors.
- (6) EMC kit number 20-750-CBPEMCCM1-F8. Kit contains one core. Each drive assembly requires one EMC kit. Order one kit for a Frame 8 drive, two kits for a Frame 9 drive, three kits for a Frame 10 drive.

Table 6 - PowerFlex 750-Series 600V/690V Input Drives RF Emission Compliance and Installation Requirements

Drive Frame Catalog Number	Standard and Limits			
	EN 61800-3 Category C1 EN 61000-6-3 CISPR11 Group 1 Class B	EN 61800-3 Category C2 EN 61000-6-4 CISPR11 Group 1 Class A (Input Power ≤ 20 kVA)	EN 61800-3 Category C3 (I ≤ 100 A) CISPR11 Group 1 Class A (Input Power > 20 kVA)	EN 61800-3 Category C3 I > 100 A
Wall Mount Frame 3: 600V (3 Hp and higher.) 20F11xE3P9...20F11xE022 20G11xE3P9...20G11xE022	50 m (164 ft) cable limit with Schaffner FN258HV-42-33 filter. Supplementary EMC enclosure is required to provide attenuation of radiated emissions.	30 m (98.4 ft) motor cable limit with one input and one output core. ⁽¹⁾	30 m (98.4 ft) motor cable limit with one input and one output core. ⁽¹⁾	N/A
Wall Mount Frame 4: 600V 20F11xE027...20F11xE032 20G11xE027...20G11xE032	50 m (164 ft) cable limit with Schaffner FN258HV-55-34 filter. Supplementary EMC enclosure is required to provide attenuation of radiated emissions.	30 m (98.4 ft) motor cable limit with one input and one output core. ⁽¹⁾	30 m (98.4 ft) motor cable limit with one input and one output core. ⁽¹⁾	N/A
Wall Mount Frame 5: 600V 20F11xE041...20F11xE052 20G11xE041...20G11xE052	50 m (164 ft) cable limit with Schaffner FN258HV-100-35 filter. Supplementary EMC enclosure is required to provide attenuation of radiated emissions.	30 m (98.4 ft) motor cable limit with one input and one output core. ⁽¹⁾	30 m (98.4 ft) motor cable limit with one input and one output core. ⁽¹⁾	N/A
Wall Mount Frame 6: 600V/690V 20F11xx012...20F11xx144 20G11xx012...20G11xx144	50 m (164 ft) cable limit with Schaffner FN258HV-100-35 filter (up to 90 kW drives) or FN3359HV-250-28 filter (110 kW and larger drives). Supplementary EMC enclosure is required to provide attenuation of radiated emissions.	50 m (164 ft) cable limit with Schaffner FN258HV-100-35 filter (up to 90 kW drives) or FN3359HV-250-28 filter (110 kW and larger drives). Supplementary EMC enclosure is required to provide attenuation of radiated emissions.	30 m (98.4 ft) motor cable limit with one input and one output core. ⁽¹⁾	30 m (98.4 ft) motor cable limit with one input and one output core. ⁽¹⁾
Frame 7: 600V/690V 20F11xx192...20F11xx289 20G11xx192...20G11xx289	50 m (164 ft) cable limit with Schaffner FN3359HV-400-99 filter. Supplementary EMC enclosure is required to provide attenuation of radiated emissions.	50 m (164 ft) cable limit with Schaffner FN3359HV-400-99 filter. Supplementary EMC enclosure is required to provide attenuation of radiated emissions.	30 m (98.4 ft) motor cable limit with one input and one output core. ⁽¹⁾	30 m (98.4 ft) motor cable limit with one input and one output core. ⁽¹⁾

More Stringent Limits ←————→ Less Stringent Limits

(1) Rating-specific EMC cores are part of EMC kit numbers 20-750-EMC3-*nn* and 20-750-EMC4-*nn*.

Access Panels, Covers, and Doors

This section provides descriptions for how to remove and replace access panels, covers, and doors on different drive sizes and enclosures.

Figure 1 - Enclosure Code R (IP20, NEMA/UL Open Type) Wall Mount, Frame 1

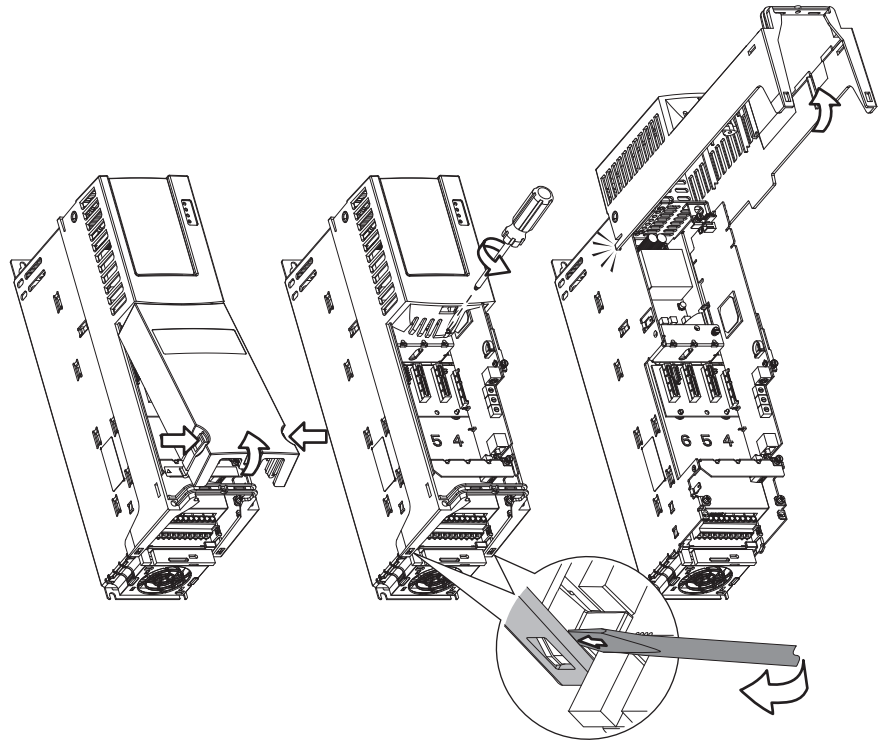


Figure 2 - Enclosure Code N (IP20, NEMA/UL Open Type) Wall Mount, Frames 2...5

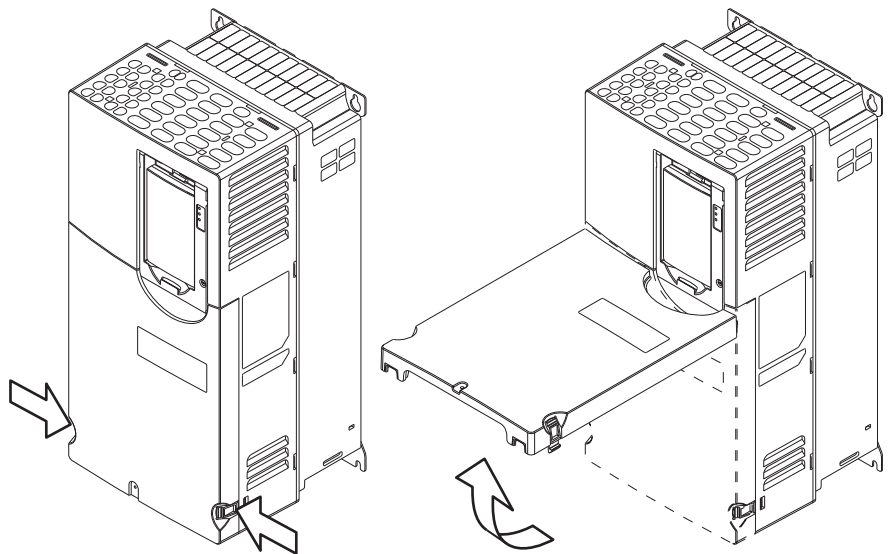
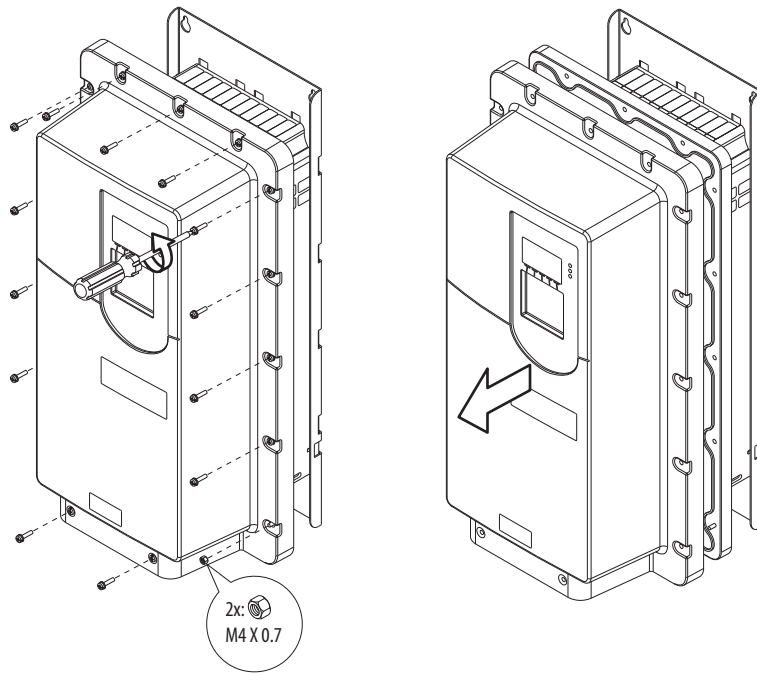
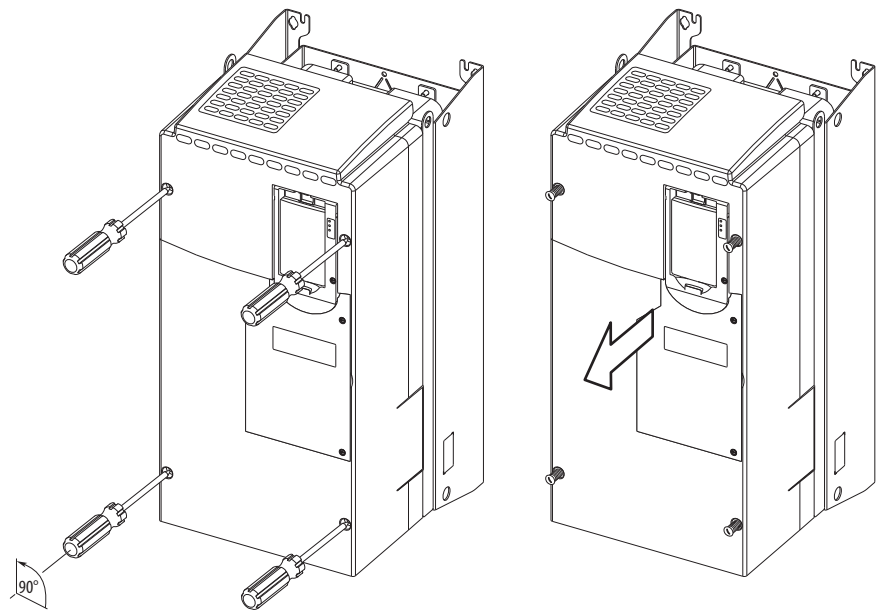


Figure 3 - Enclosure Code G (IP54, NEMA/UL Type 12) Wall Mount, Frames 2...5

To remove or replace the cover, use these tools and torque:

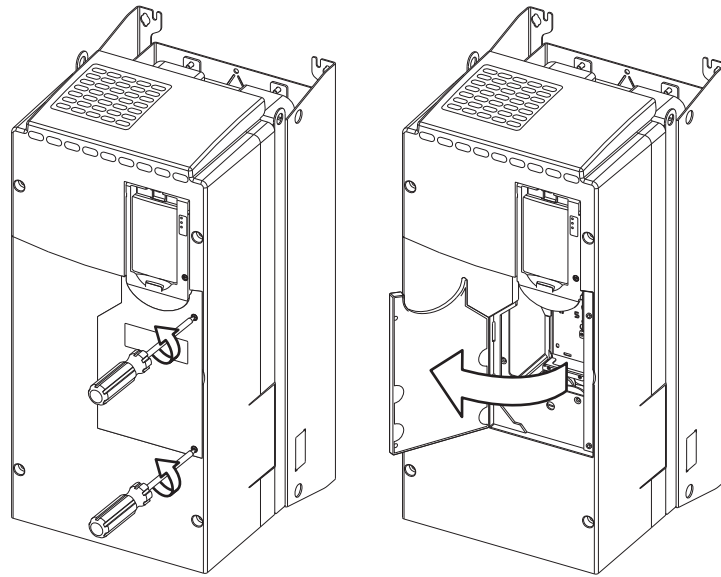
- Recommended torque (screws and nuts) = 0.68 N•m (6.0 lb•in)
- Recommended screwdriver = 6.4 mm (0.25 in.) flat or T20 Hexalobular
- Recommended hex socket = 7 mm

Figure 4 - Enclosure Code N (IP00, NEMA/UL Open Type) Wall Mount, Frames 6 and 7

To remove or replace the cover, use this tool:

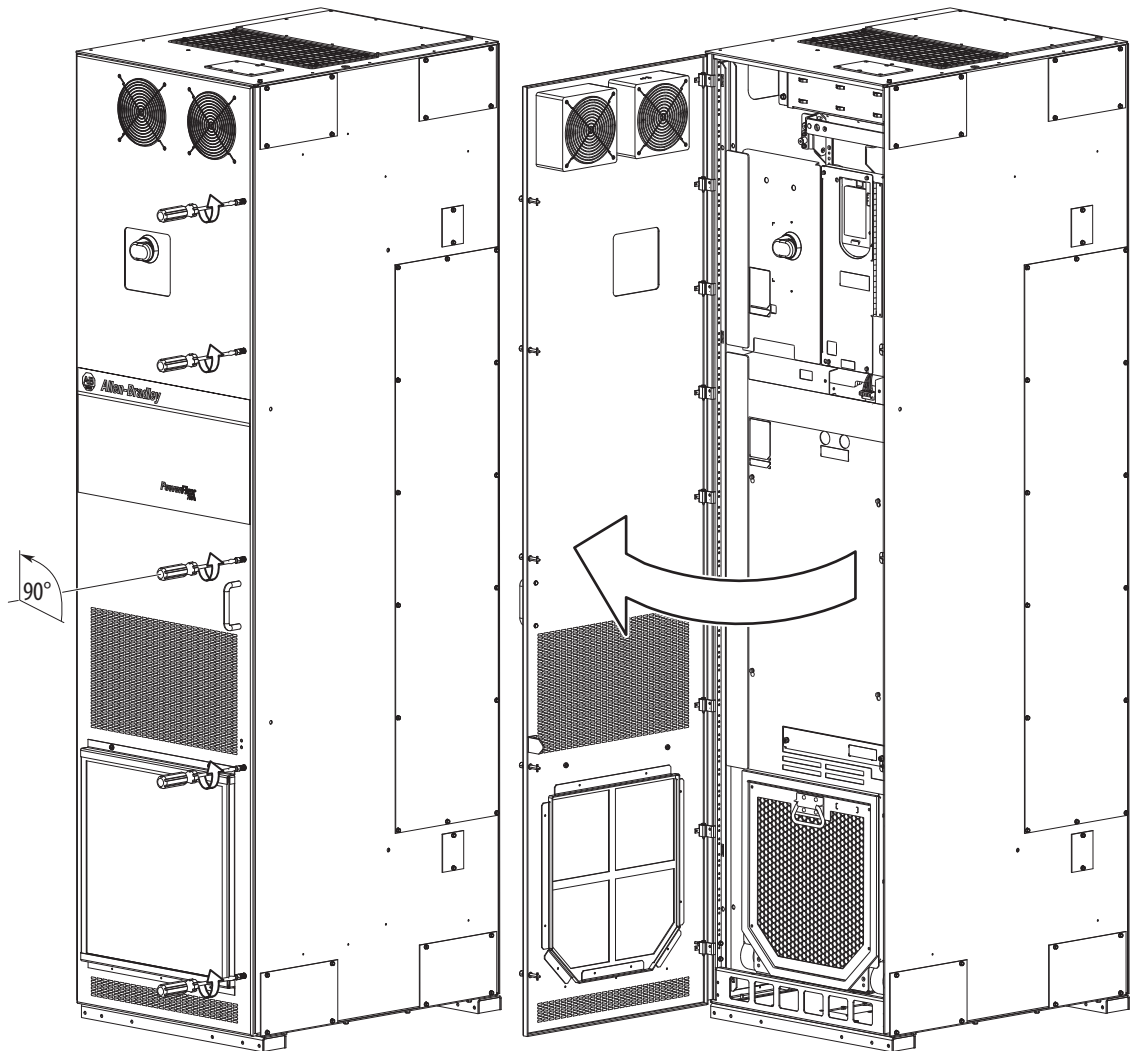
- Recommended screwdriver = 9.5 mm (0.375 in.) flat

Figure 5 - Enclosure Code N (IP00, NEMA/UL Open Type) Wall Mount, Frames 6 and 7 Access Door



To open or secure the access door, use this tool:

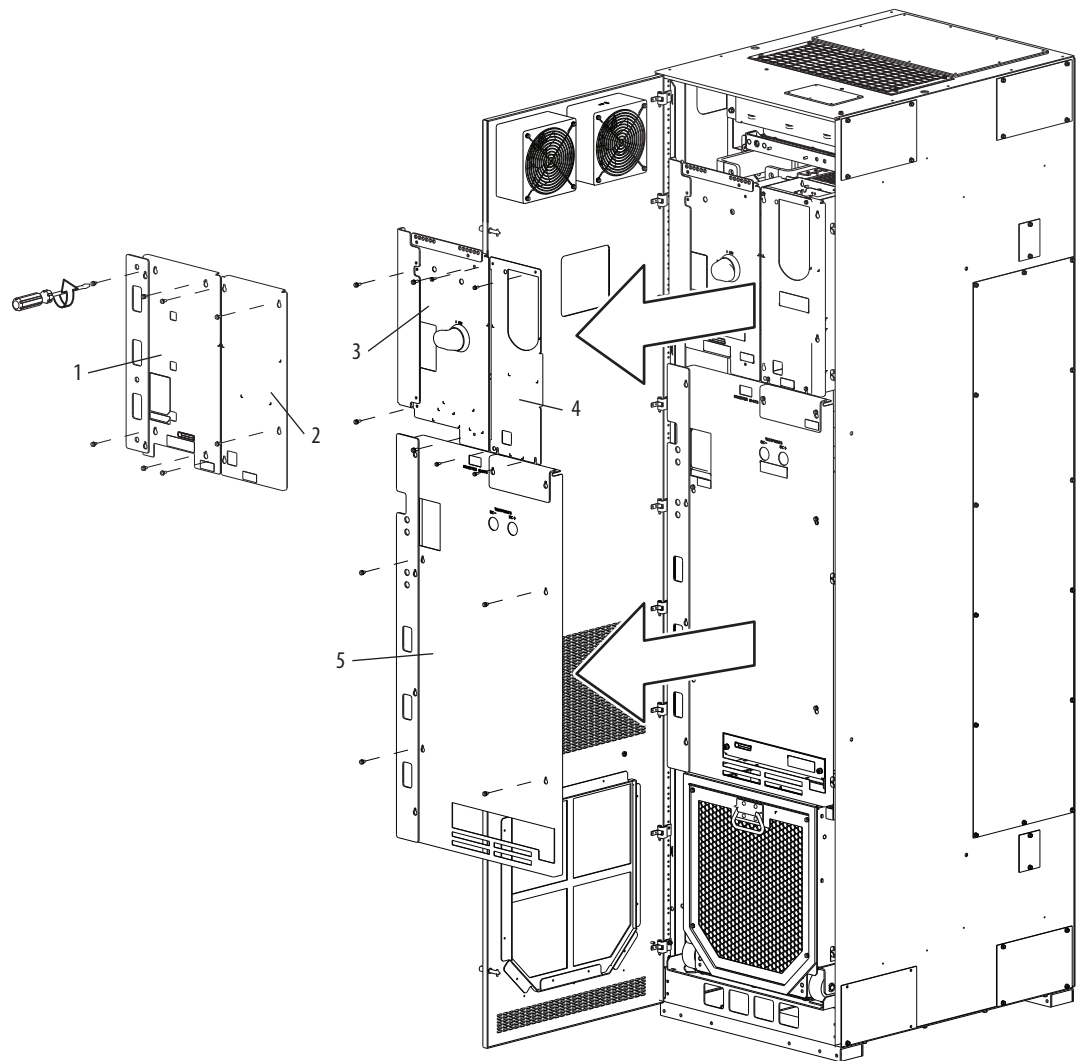
- Recommended screwdriver = 6.4 mm (0.25 in.) flat or T20 Hexalobular

Figure 6 - Floor Mount Frames 8 and Larger Cabinet Access Door (all enclosure types)

To open or secure the access door, use this tool:

- Recommended screwdriver = 9.5 mm (0.375 in.) flat

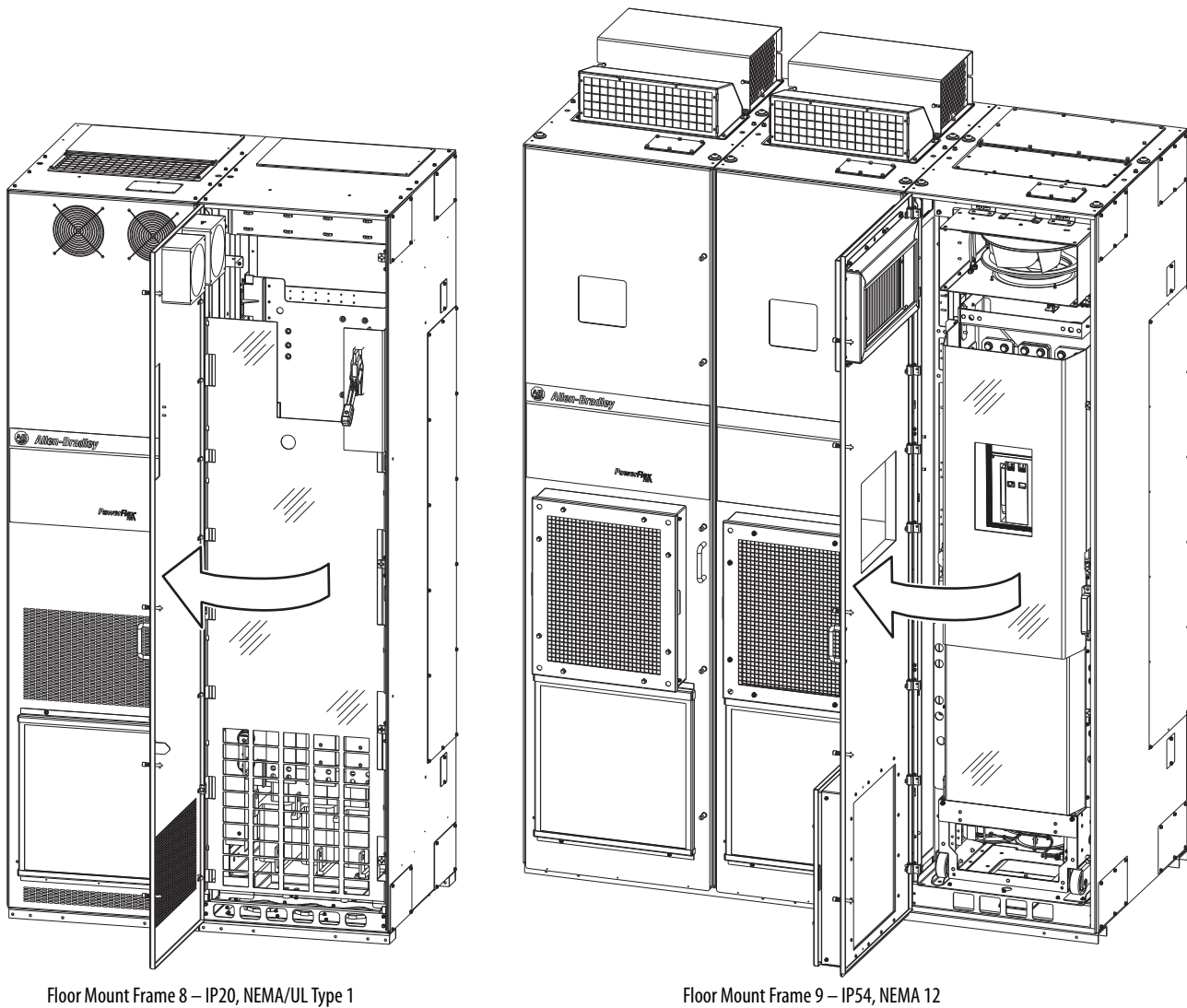
Figure 7 - Floor Mount Drive-assembly Access Panels – All Enclosure Types (IP20, NEMA/UL Type 1 shown)



No.	Description
1	Left front converter cover with side shield (AC input drives)
2	Right front converter cover (no control pod)
3	Left front converter cover with side shield (common DC input drives)
4	Right front converter cover (with control pod)
5	Inverter front cover with side shield (common DC input drives)

To remove or replace the covers, use this tool and torque:

- Recommended torque = 2.8 N•m (25.0 lb•in)
- Recommended screwdriver = 6.4 mm (0.25 in.) flat or T25 Hexalobular

Figure 8 - Floor Mount Cabinet Options Bay Access Door

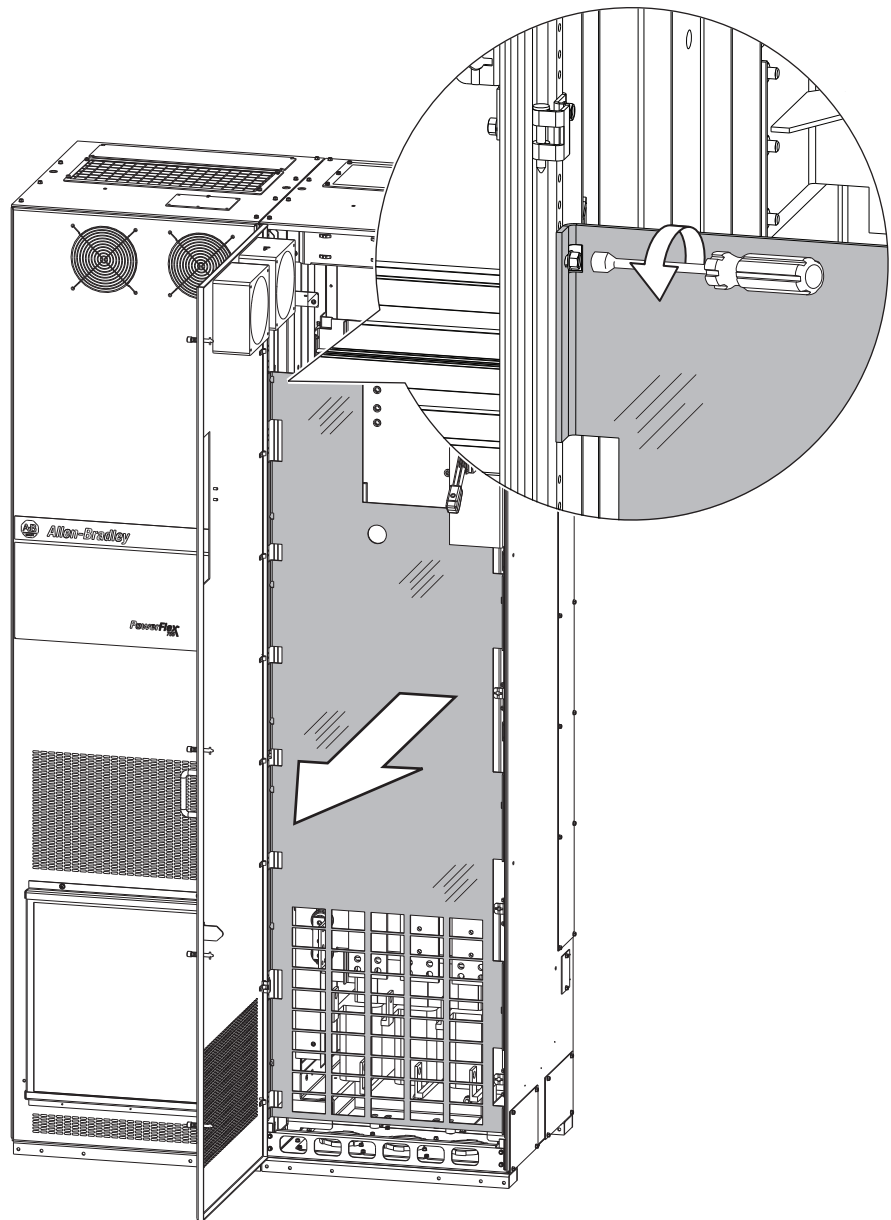
Floor Mount Frame 8 – IP20, NEMA/UL Type 1

Floor Mount Frame 9 – IP54, NEMA 12

To open or secure the access door, use this tool:

- Recommended screwdriver = 9.5 mm (0.375 in.) flat

Figure 9 - Full Cabinet Options Bay Guard – Floor Mount Frame 8

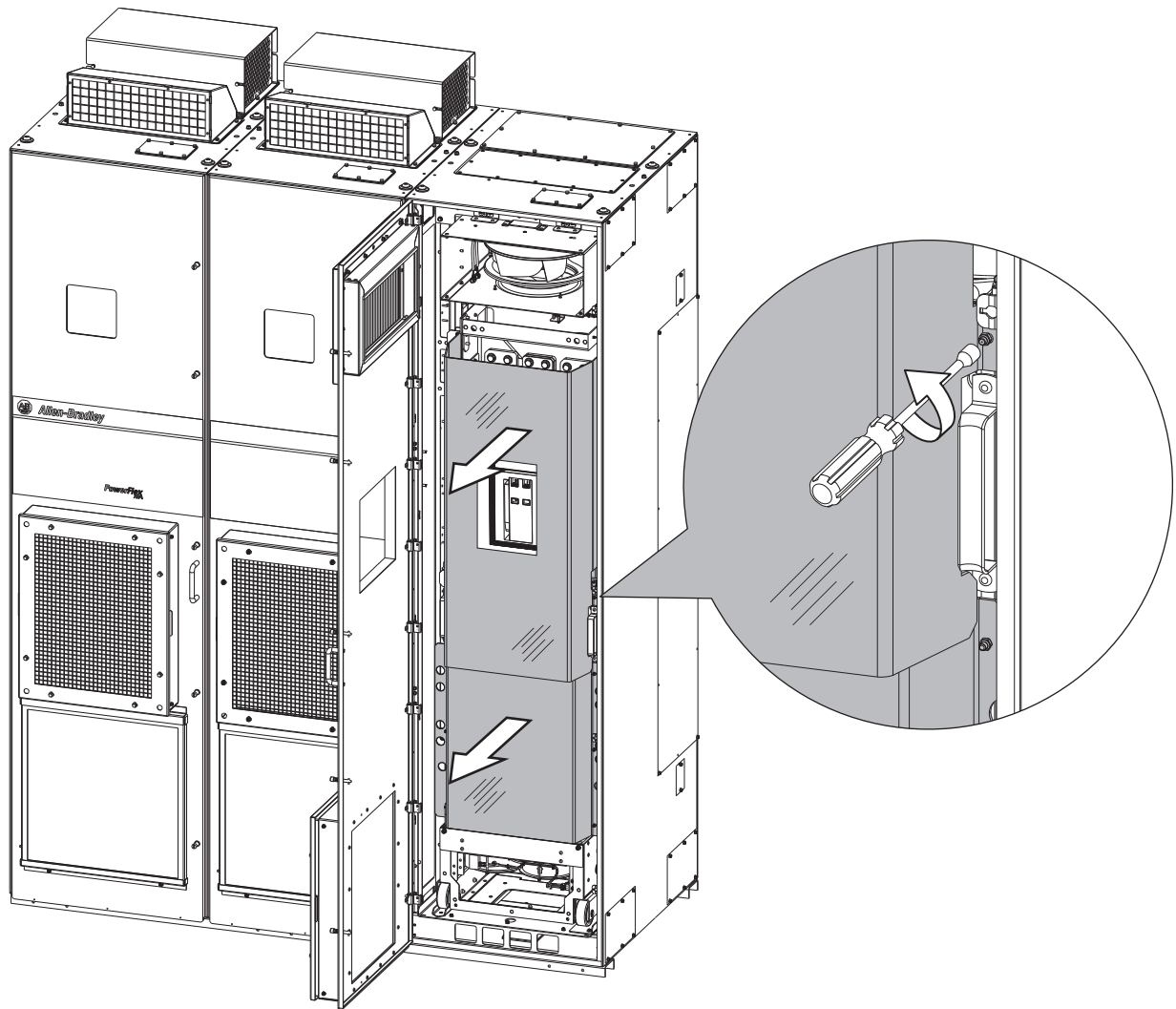


To remove the full bay guard, loosen the ten M5 screws. You do not need to remove these screws.

To remove or replace the full bay guard, use this tool and torque:

- Recommended torque = 2.8 N•m (25.0 lb•in)
- Recommended driver = 8 mm Hexagonal socket

Figure 10 - Full Cabinet Options Bay Guard Floor Mount Frame 9



To remove the full bay guard, loosen the ten M5 screws. You do not need to remove these screws. It is not necessary to remove the guard to roll out the cabinet options assembly or to install input power cabling.

To remove or replace the full bay guard, use this tool and torque:

- Recommended torque = 2.8 N•m (25.0 lb•in)
- Recommended driver = 8 mm Hexagonal socket

Minimum Clearances

Specified vertical clearance requirements (indicated in [Figure 11](#) and [Figure 12](#)) are intended to be from the drive to the closest object that can restrict airflow through the drive heat sink and chassis. The drive must be mounted in a vertical orientation as shown and must make full contact with the mounting surface. Do not use standoffs or spacers. In addition, inlet air temperature must not exceed the product specification.

Figure 11 - Minimum Mounting Clearances – Wall Mount, Frames 1...7

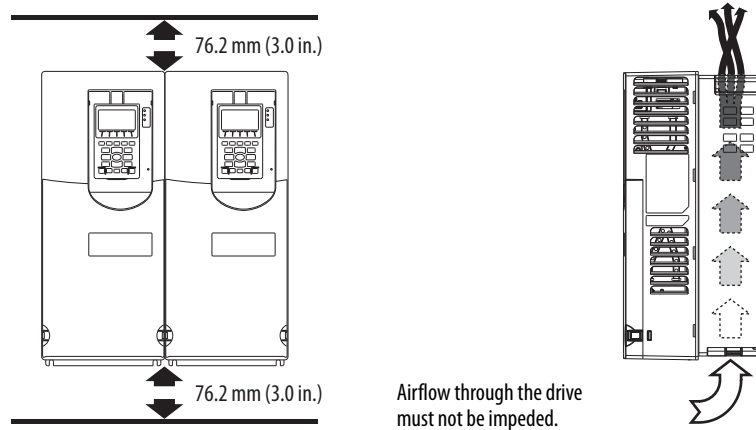
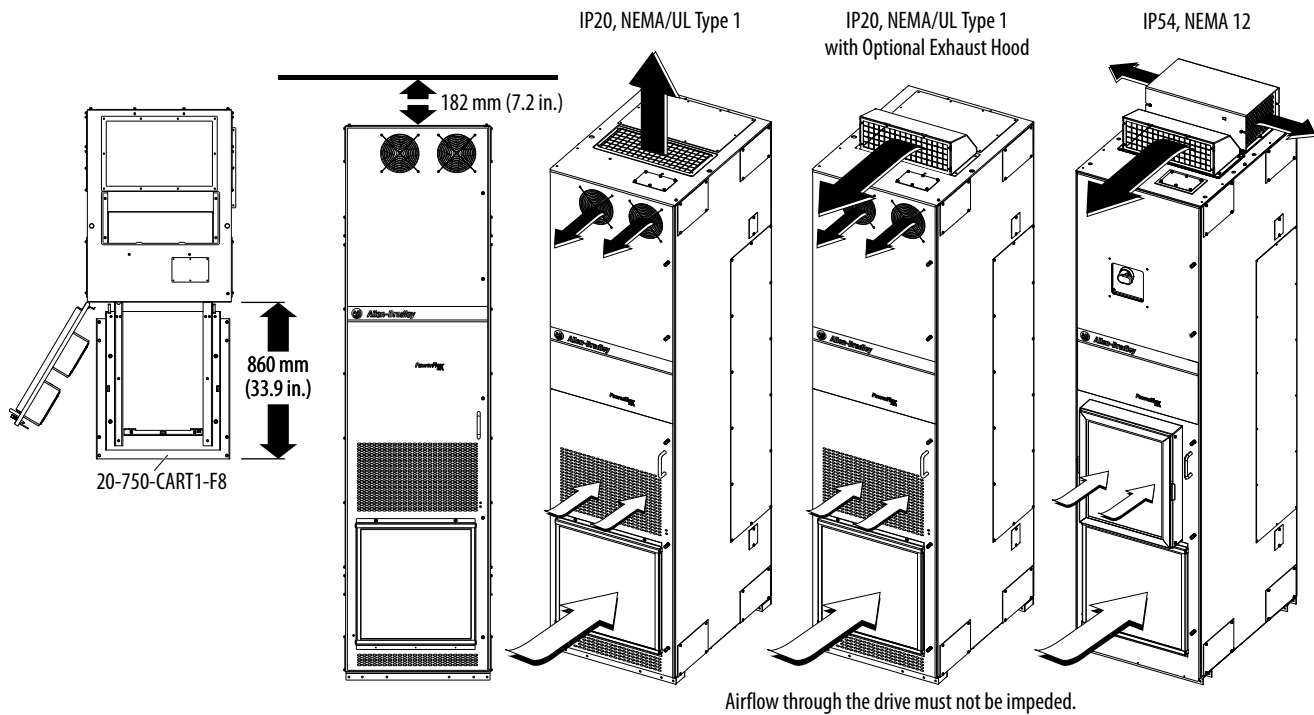


Figure 12 - Minimum Mounting Clearances – Floor Mount Drive Cabinets



Mounting Considerations

This section provides guidelines for mounting the drives.

Wall Mount Frames 1...7

For wall mount Frames 1...7, follow these guidelines:

- Mount the drive upright on a flat, vertical, and level surface.
- Verify that the drive is in full contact with the mounting surface as depicted in [Figure 11](#).

Floor Mount Frames 8...10

For floor mount Frames 8...10, follow these guidelines:

- Install the drive upright on a flat and level surface.
- Verify that the drive cabinet is square, vertical, and stable.
- Verify that the filter and debris screens are installed.

All Mounting Styles and Frames

For all drives, follow these guidelines:

- Protect the cooling fan by avoiding dust or metallic particles.
- Do not expose to a corrosive atmosphere.
- Protect from moisture and direct sunlight (unless rated for outdoor use).

Environmental Specifications

Maximum surrounding air temperature		
IP20, NEMA/UL Open Type	0...50 °C (32...122 °F)	Wall mount Frames 1...5, all ratings
IP00, NEMA/UL Open Type	0...50 °C (32...122 °F)	Wall mount Frames 6 and 7, 12...456 A ratings
	0...40 °C (32...104 °F)	Wall mount Frame 7, 477 A ratings
IP20, NEMA/UL Type 1 (with hood)	0...40 °C (32...104 °F)	Wall mount Frames 1...5, all ratings
IP20, NEMA/UL Type 1 (with label)	0...40 °C (32...104 °F)	Wall mount Frames 6...7, all ratings
IP20, NEMA/UL Type 1 (MCC cabinet)	0...40 °C (32...104 °F)	Floor mount Frames 8...10, all ratings
IP54, NEMA 12 (MCC cabinet)	0...40 °C (32...104 °F)	Floor mount Frames 8...10, all ratings
Flange mount		
Front		
IP20, NEMA/UL Open Type	0...50 °C (32...122 °F)	Wall mount Frames 2...5, all ratings
IP00, NEMA/UL Open Type	0...50 °C (32...122 °F)	Wall mount Frames 6 and 7, 12...456 A ratings
	0...40 °C (32...104 °F)	Wall mount Frame 7, 477 A ratings
Back/Heat sink		
IP66, NEMA/UL Type 4X	0...40 °C (32...104 °F)	Wall mount Frames 2...7, all ratings
Stand-alone/Wall mount		
IP54, NEMA/UL Type 12	0...40 °C (32...104 °F)	Wall mount Frames 2...7, all ratings
Storage temperature (all drives)	-40...+70 °C (-40...+158 °F)	
Atmosphere	IMPORTANT: Do not install the drive in an area where the ambient atmosphere contains volatile or corrosive gas, vapors, or dust. If the drive is not going to be immediately installed, it must be stored in an area where it is not exposed to a corrosive atmosphere.	

Notes:

Lift and Mount the Drive

Drive Weights

All lifting equipment and components (hooks, bolts, lifts, slings, chains, and so on) must be properly sized and rated to safely lift and hold the weight of the drive.



ATTENTION: To guard against possible personal injury and/or equipment damage, follow these guidelines:

- Inspect all lifting hardware for proper attachment before you lift the drive.
- Do not allow any part of the drive or lift mechanism to contact electrically charged conductors or components.
- Do not subject the drive to high rates of acceleration or deceleration while transporting to the mounting location or when lifting.
- Do not allow personnel or their limbs directly underneath the drive when it is being lifted and mounted.

Table 7 - Approximate Drive Weights – Wall Mount Frames 1...7 and Floor Mount Frames 8...10

Drive		Frame Size	Drive Rating		Enclosure Code/Weight, kg (lb)			
			kW (208V, 400V, 690V) ⁽¹⁾	Hp (240V, 480V, 600V) ⁽¹⁾	F	G	N	R
Standard (20F, 20G)	AC input and common DC input	1	0.37...7.5	0.5...10				6 (13)
		2	0.37...11	0.5...15	8 (17)	8 (17)	8 (17)	
		3	7.5...22	0.5...30	12 (26)	12 (26)	12 (26)	
		4	15...37	20...50	14 (30)	14 (30)	14 (30)	
		5	18.5...55	25...70	20 (45)	20 (45)	20 (45)	
		6	5.5...75	7.5...100	37 (82)	89 (197)	37 (82)	
			45...132	50...200	38 (84)	91 (200)	39 (85)	
		7	132...200	150...300	69 (152)	135 (297)	79 (174)	
200...270	300...400		96 (212)	162 (357)	106 (234)			
					B, L	P, W	J	K, Y
Standard (20G)	AC input	8	250...400	350...650	623 (1374)	1145 (2525)	644 (1419)	1166 (2570)
		9	500...850	700...1250	1246 (2748)	2290 (5051)	1287 (2838)	2332 (5141)
		10	900...1250	1350...1750	1869 (4122)	3435 (7576)	1931 (4257)	3498 (7711)
	Common DC input	8	250...400	350...650	566 (1248)	1088 (2400)	586 (1293)	1109 (2445)
		9	500...850	700...1250	1132 (2497)	2176 (4799)	1173 (2587)	2218 (4889)
		10	900...1250	1350...1750	1698 (3745)	3264 (7199)	1760 (3880)	3327 (7334)
With options (21G)	AC input	8	250...400	350...650	1145 (2525)	1675 (3694)	1166 (2570)	1696 (3739)
		9	500...850	700...1250	1730 (3815)	2820 (6219)	1771 (3905)	2862 (6309)
		10	900...1250	1350...1750	2315 (5106)	3965 (8745)	2377 (5241)	4028 (8880)

(1) Only frame 1...7 available for 208V, 240V input drives.

Table 8 - Maximum Component Weights – Floor Mount Frames 8...10

Component	Weight, kg (lb)	
	AC Input	Common DC Input
Converter/DC input with precharge	64 (140)	64 (140)
Inverter	222 (490)	165 (363)
Drive assembly (Open, IP00)	286 (630)	229 (504)
Cabinet options assembly with circuit breaker and reactor	296 (653)	–

Recommended Mounting Hardware

Use the recommended hardware to mount the drives.

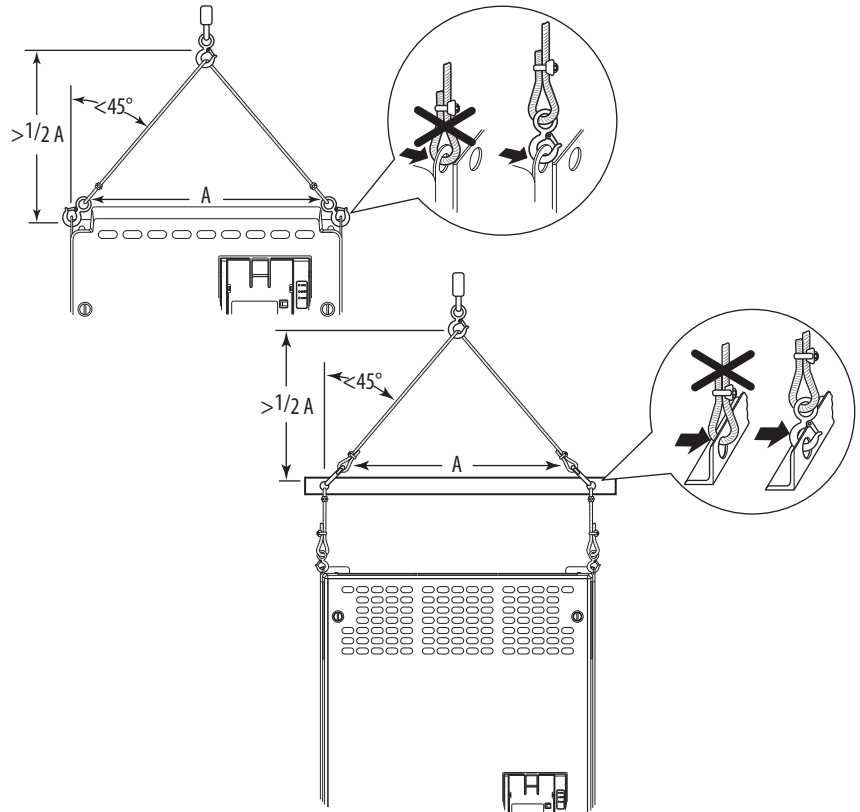
Frame Size		Fastener Size	Notes
Wall mount	1	M6 (#10 or #12)	
	2		
	3		
	4		
	5		
	6	M6 (#12)	
	7	M8 (5/16 in.)	
Floor mount	8	M12 (1/2 in.)	Property class 8.8 (min)
	9		
	10		

IMPORTANT Mounting hardware is included with enclosure type F (flange mount) drives. To meet the enclosure rating, you must use the hardware that is included with the flange mount drives.

Attach Lifting Hardware

This section provides guidelines on how to attach the lifting hardware.

Figure 13 - Rigging Geometry



Enclosure Code F

Follow these guidelines for drives with enclosure code F.

Figure 14 - Wall Mount Frame 6 Lifting Points – Two Places

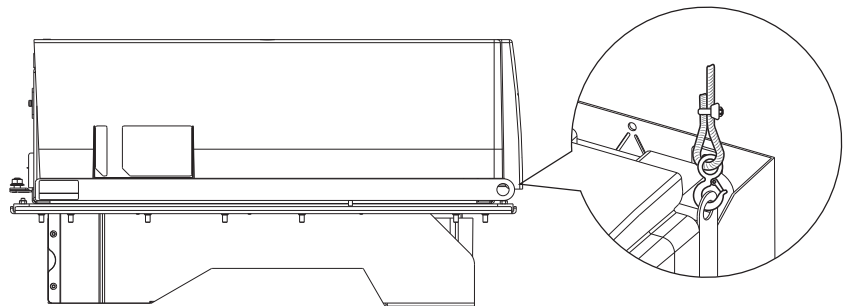
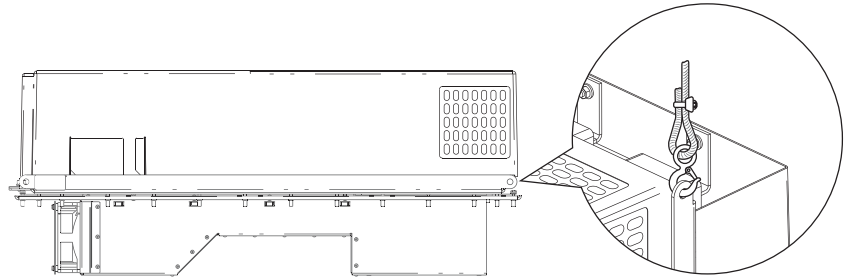


Figure 15 - Wall Mount Frame 7 Lifting Points – Four Places



Enclosure Code N

Follow these guidelines for drives with enclosure code N.

Figure 16 - Wall Mount Frame 6 Lifting Points – Six Places

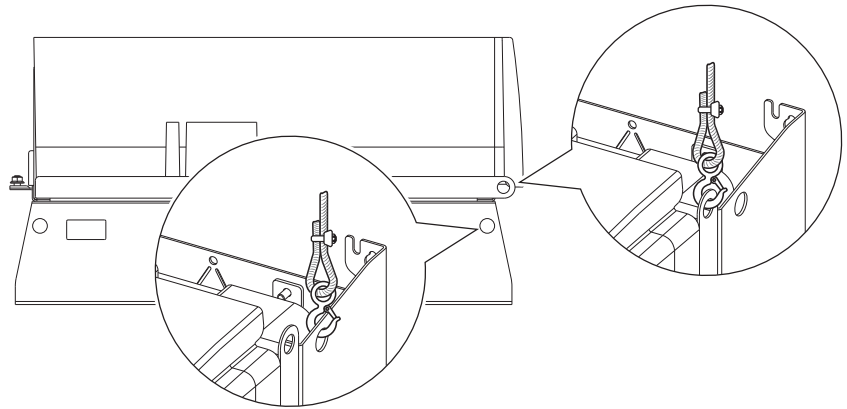
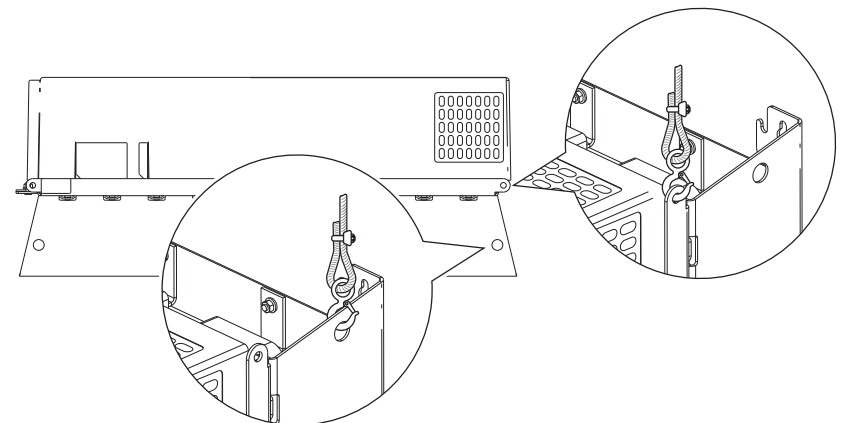


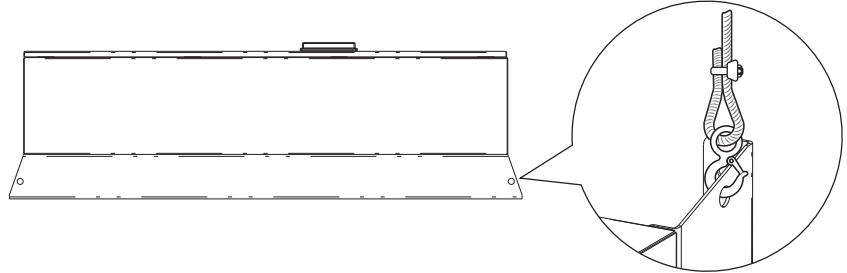
Figure 17 - Wall Mount Frame 7 Lifting Points – Eight Places



Enclosure Code G

Follow these guidelines for drives with enclosure code G.

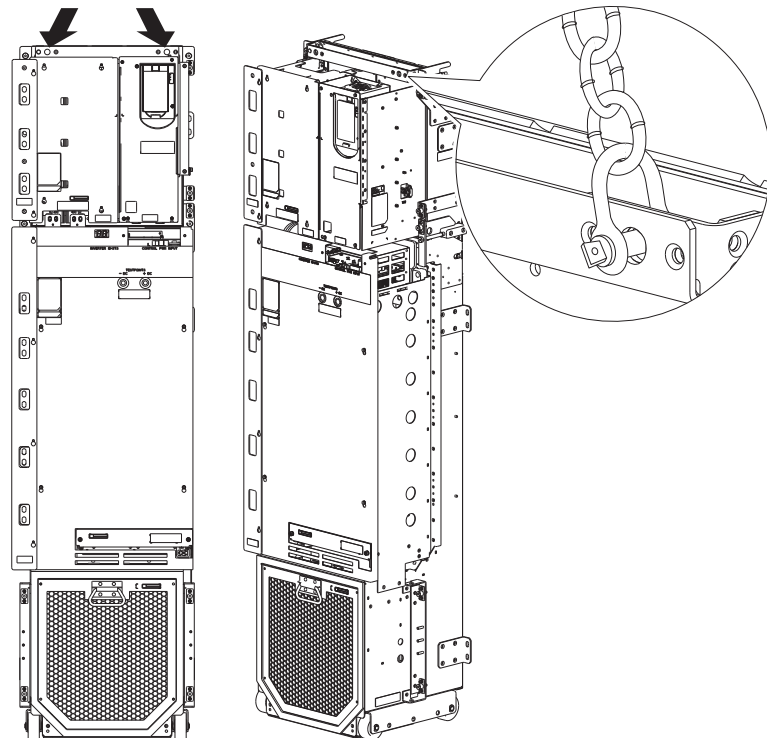
Figure 18 - Wall Mount Frames 6 and 7 Lifting Points – Four Places



Open Type Drive (Removed from Cabinet)

Follow these guidelines for drives that are removed from the cabinet.

Figure 19 - Floor Mount Drive Assembly – IP00, NEMA/UL Type Open Drive Lifting Points – Two Places



Enclosure Codes B and L

Follow these guidelines for drives with enclosure code B and L.

Figure 20 - Floor Mount Frame 8 Lifting Points – Two Places

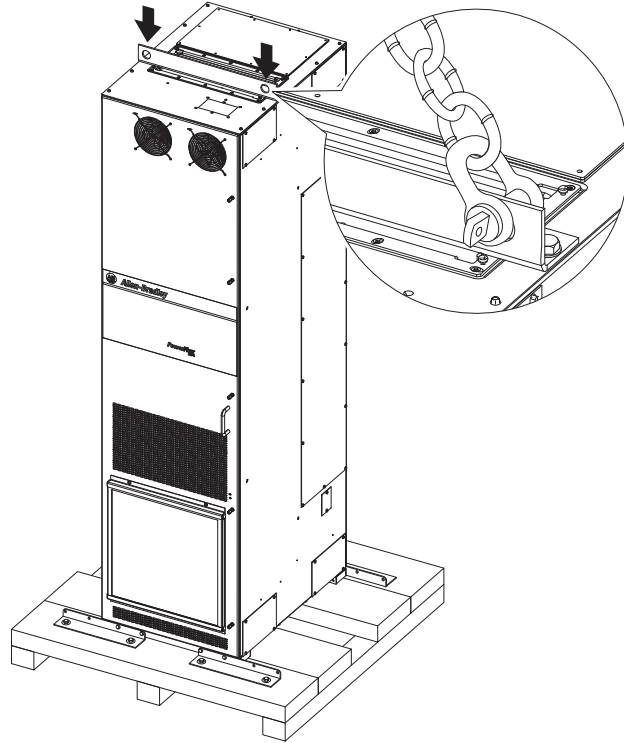
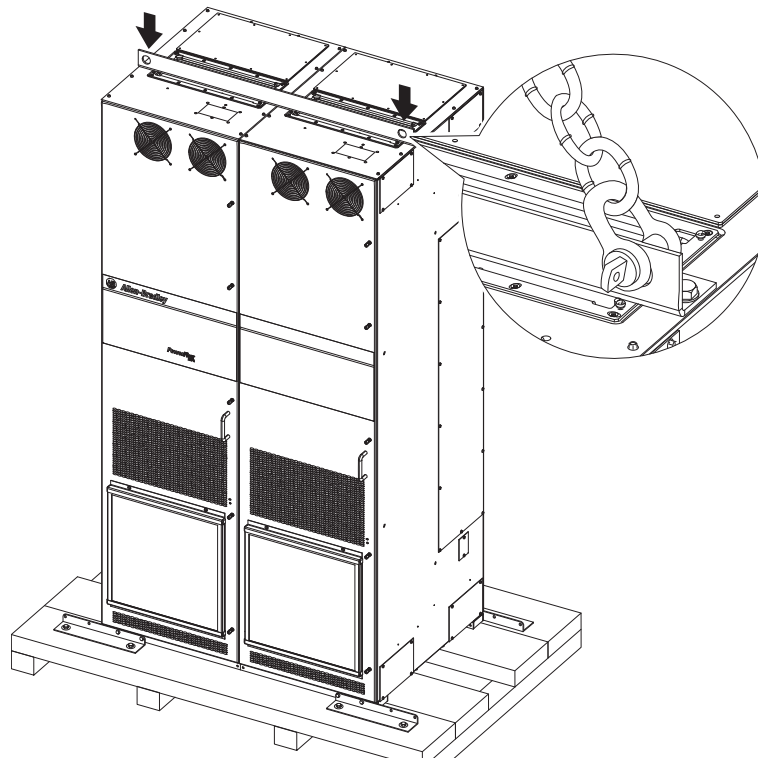


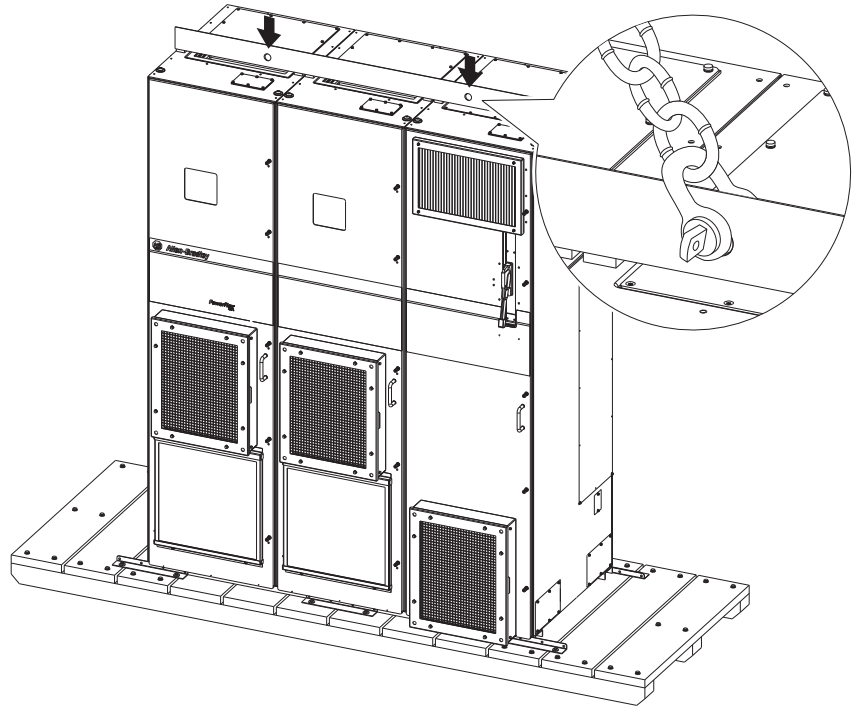
Figure 21 - Floor Mount Frames 9 and 10 Lifting Points – Two Places



Enclosure Codes J, K, and Y

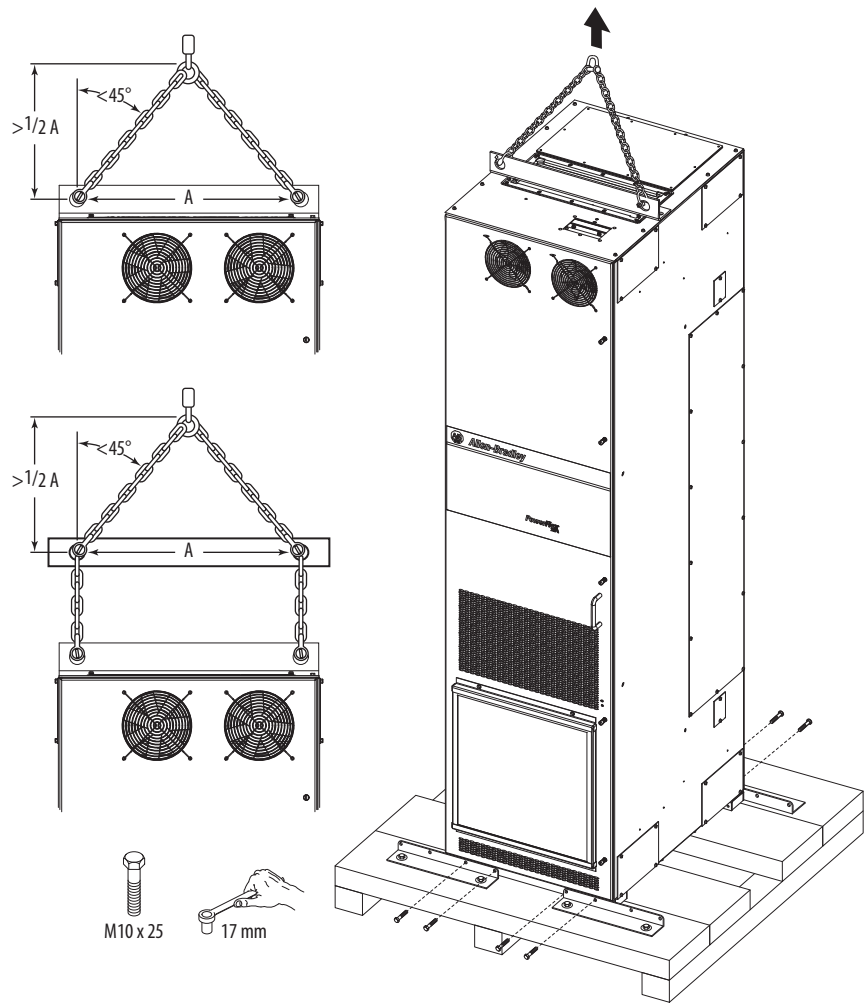
Follow these guidelines for drives with enclosure code J, H, and Y.

Figure 22 - Floor Mount Frame 9 with Cabinet Options Bay Lift Points – Two Places

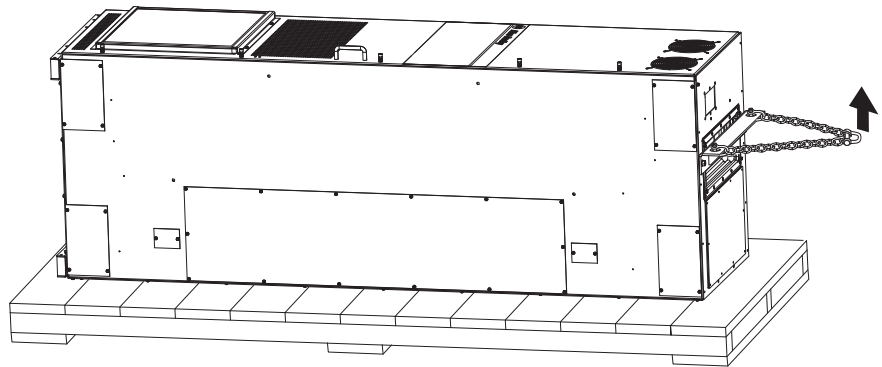


Release Floor Mount Drive Cabinet from Shipping Skid

Remove the bolts that fasten a vertically oriented drive cabinet to the shipping skid, and lift.



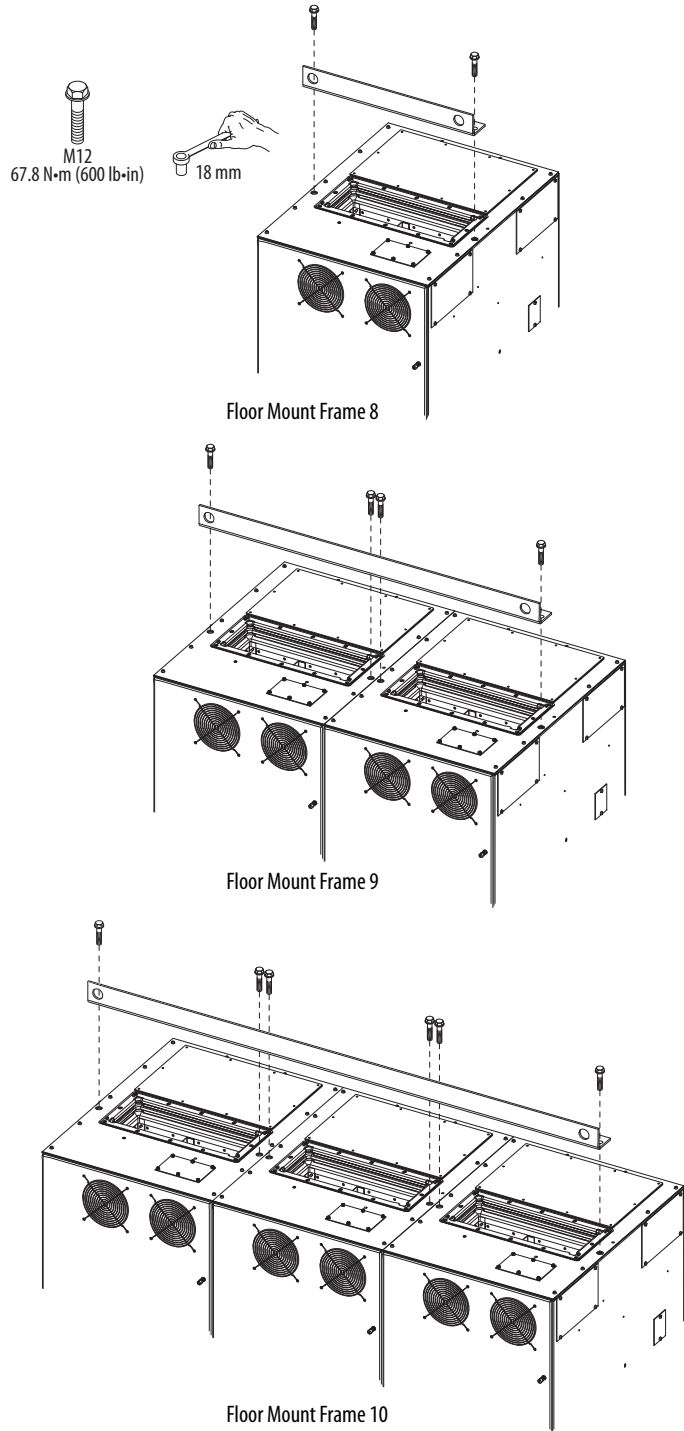
Remove the shipping crate that encloses a horizontally oriented drive cabinet on the shipping skid, and lift.



IMPORTANT For drives that are equipped with the MCC bus option, with codes P20, P22, and P24 in the catalog string, do not ship them horizontally.

Remove Drive Cabinet Lifting Angle

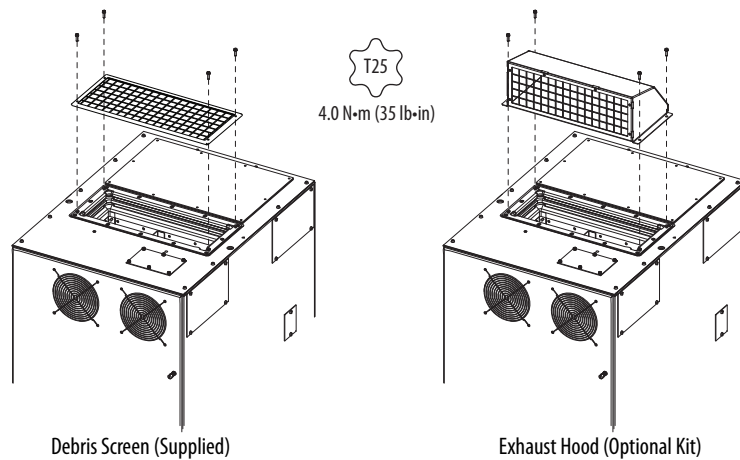
After the drive cabinet is in its final position, remove the lifting angle.



Install IP20, NEMA/UL Type 1 Debris Screen, or Optional Exhaust Hood

IP20, NEMA/UL Type 1 drives are equipped with a top mounted debris screen. An optional exhaust hood is also available as a kit (catalog number 20-750-HOOD1-F8).

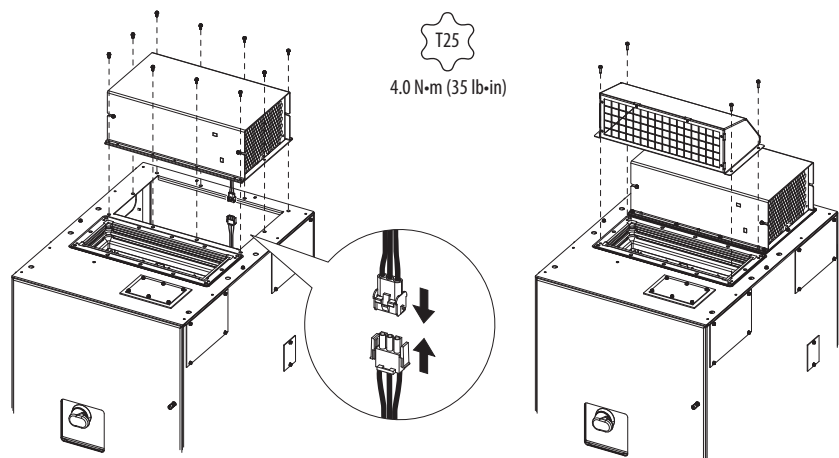
1. Install the supplied debris screen over the exhaust vent.
(Or install the optional exhaust hood with the grill that faces the front of the drive.)
2. Secure with the four screws provided.



Install IP54, NEMA 12 Cabinet Blower Assembly and Exhaust Hood

IP54, NEMA 12 drives are equipped with top mounted blower assembly and exhaust hood.

1. Install the cabinet blower assembly. Note the required power connection.
2. Secure with the ten screws provided.
3. Install the exhaust hood with the grill that faces the front of the drive.
4. Secure with the four screws provided.



Install Floor Mount Drive with Cabinet Options Bay and Wiring Bay

Frame 9 drives that are configured with both the cabinet options bay and wiring bay ship in two sections. This section describes how to join the wiring bay to the cabinet options bay.

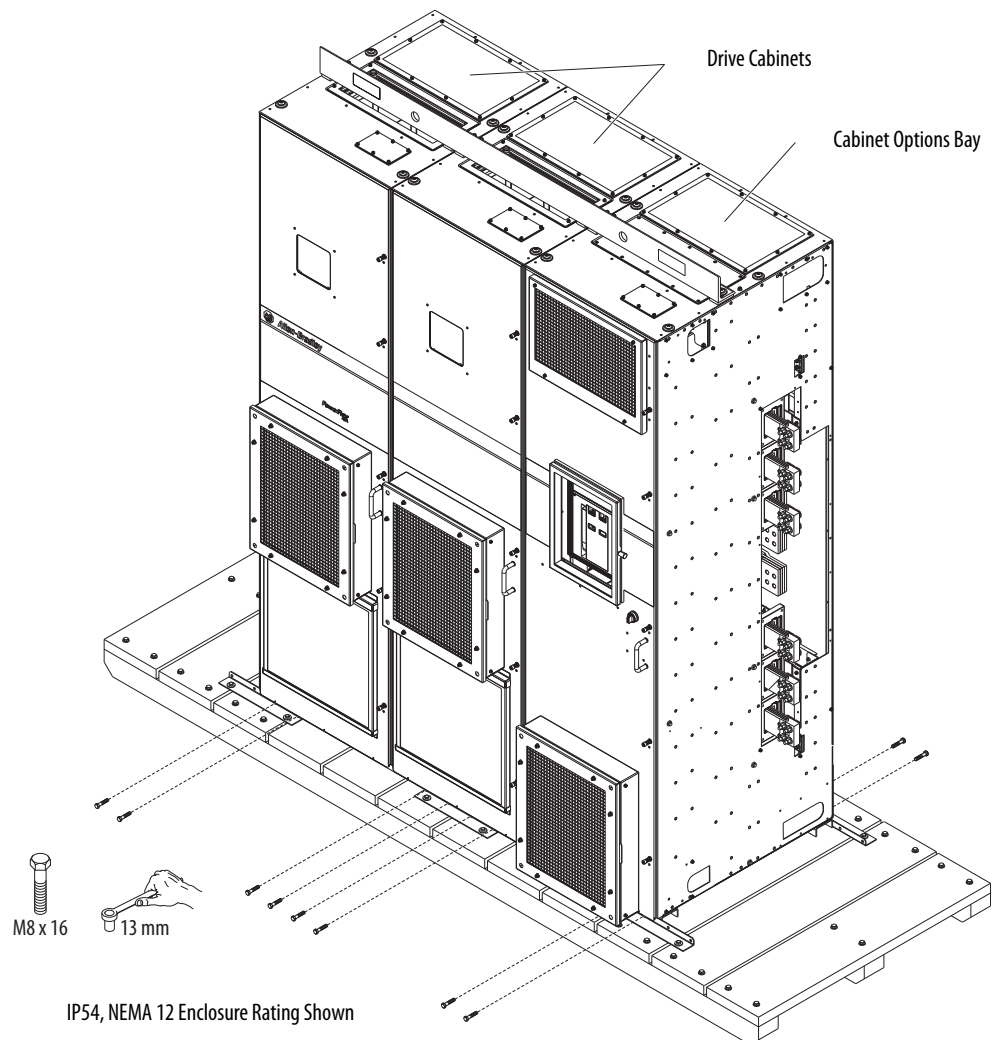
Remove the external wrapping and bus bar cover. Locate the hardware that is used to join the cabinets (hardware is shipped with the wiring bay).

Description	Quantity	Description	Quantity
M8 x 16 mm cabinet joining screw	20	M10 nut with washer	12
M10 x 45 mm carriage bolt	12	M6 x 40 mm bolts	4
Bus bar clamp plate	12	M6 flange nuts	4

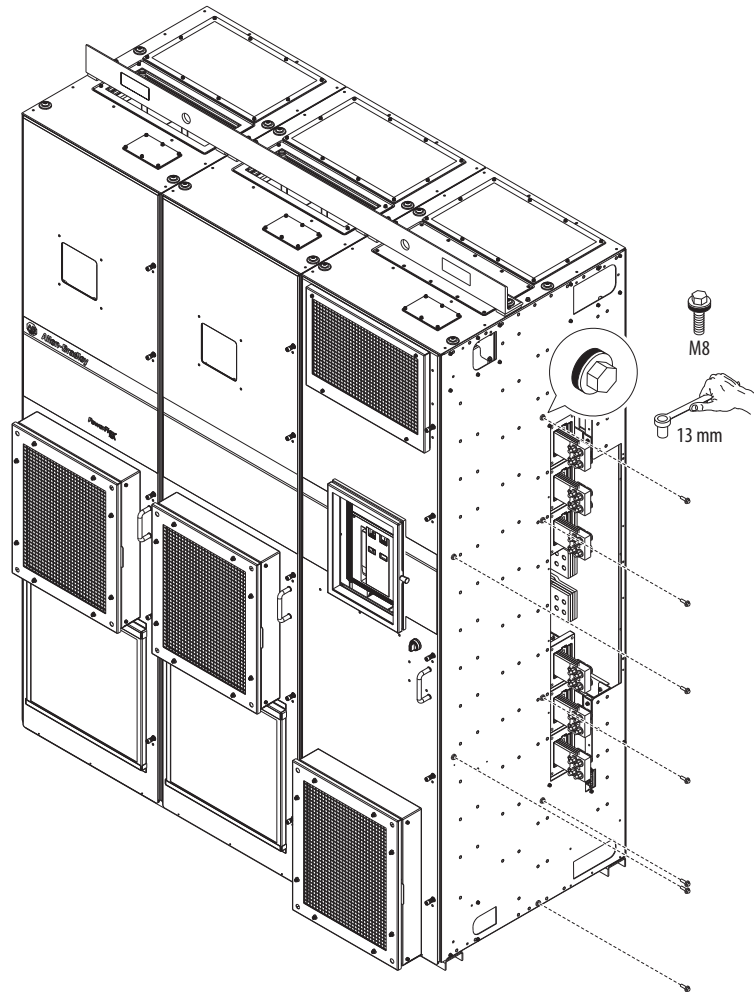
Position the Drive Cabinets and Cabinet Options Bay

To position the drive cabinet and options bay, follow these steps.

1. Release the factory-assembled drive cabinets and cabinet options bay from the shipping skid.



2. Attach lifting hardware to the drive assembly.
Follow lifting instructions and precautions that start on [page 41](#).
3. Locate the factory-assembled drive cabinets and cabinet options bay in its final position.
4. Remove and discard the seven M8 sealing screws from the right side of the cabinet options bay.

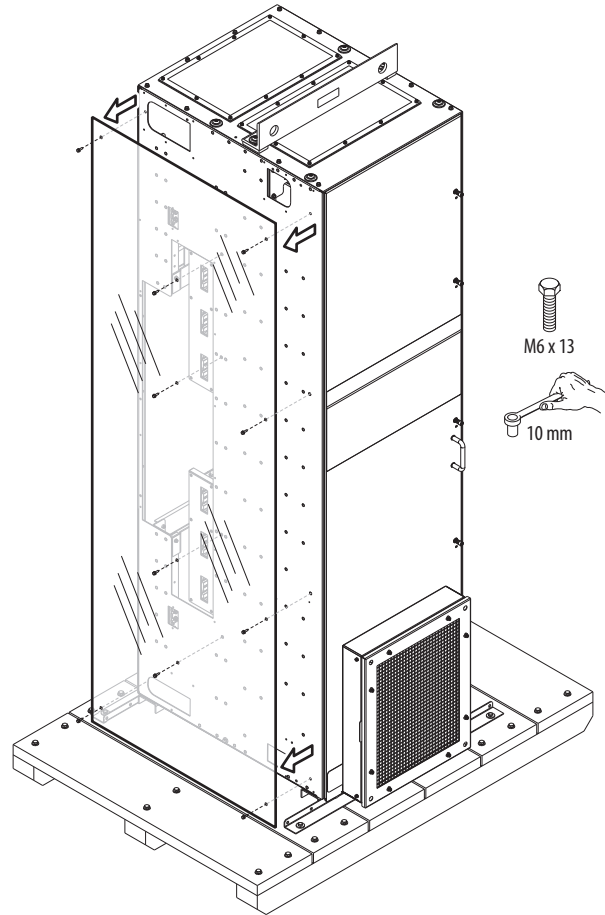


IP54, NEMA 12 Enclosure Rating Shown

Position the Wiring Bay

To position the wiring bay, follow these steps.

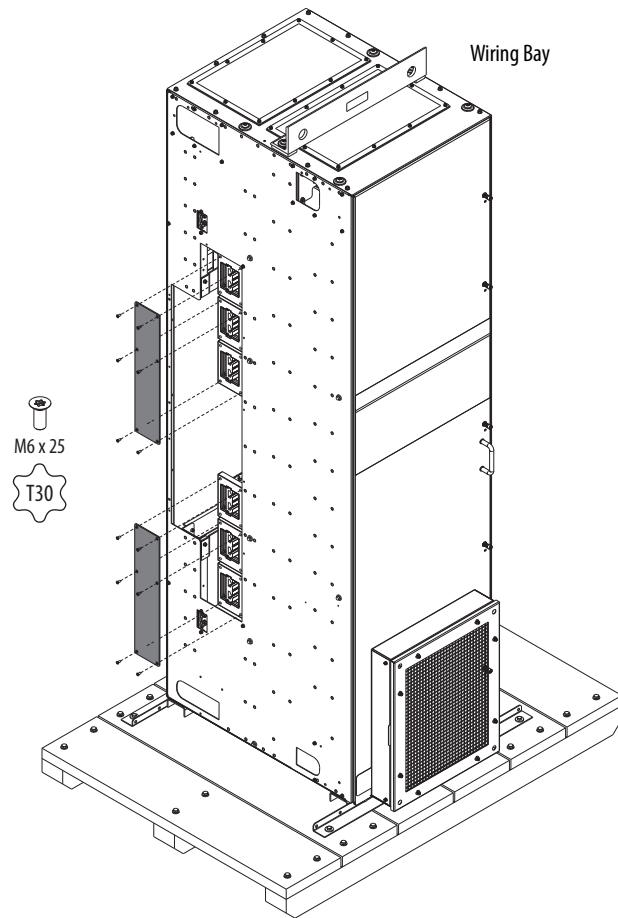
1. Remove and discard the screws that hold the protective panel against the left side of the wiring bay.



IP54, NEMA 12 Enclosure Rating Shown

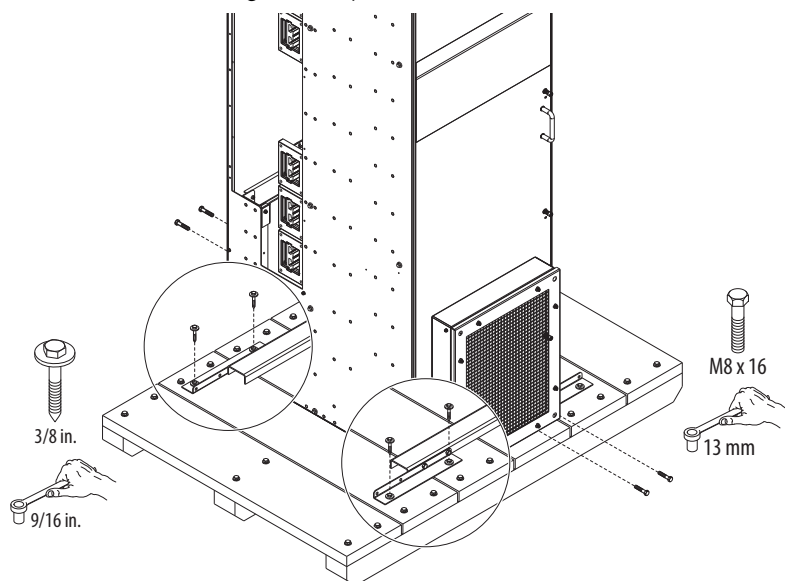
2. Remove and discard the protective panel.

3. Remove and discard the wiring bay inner panels that cover the ends of the bus bars.



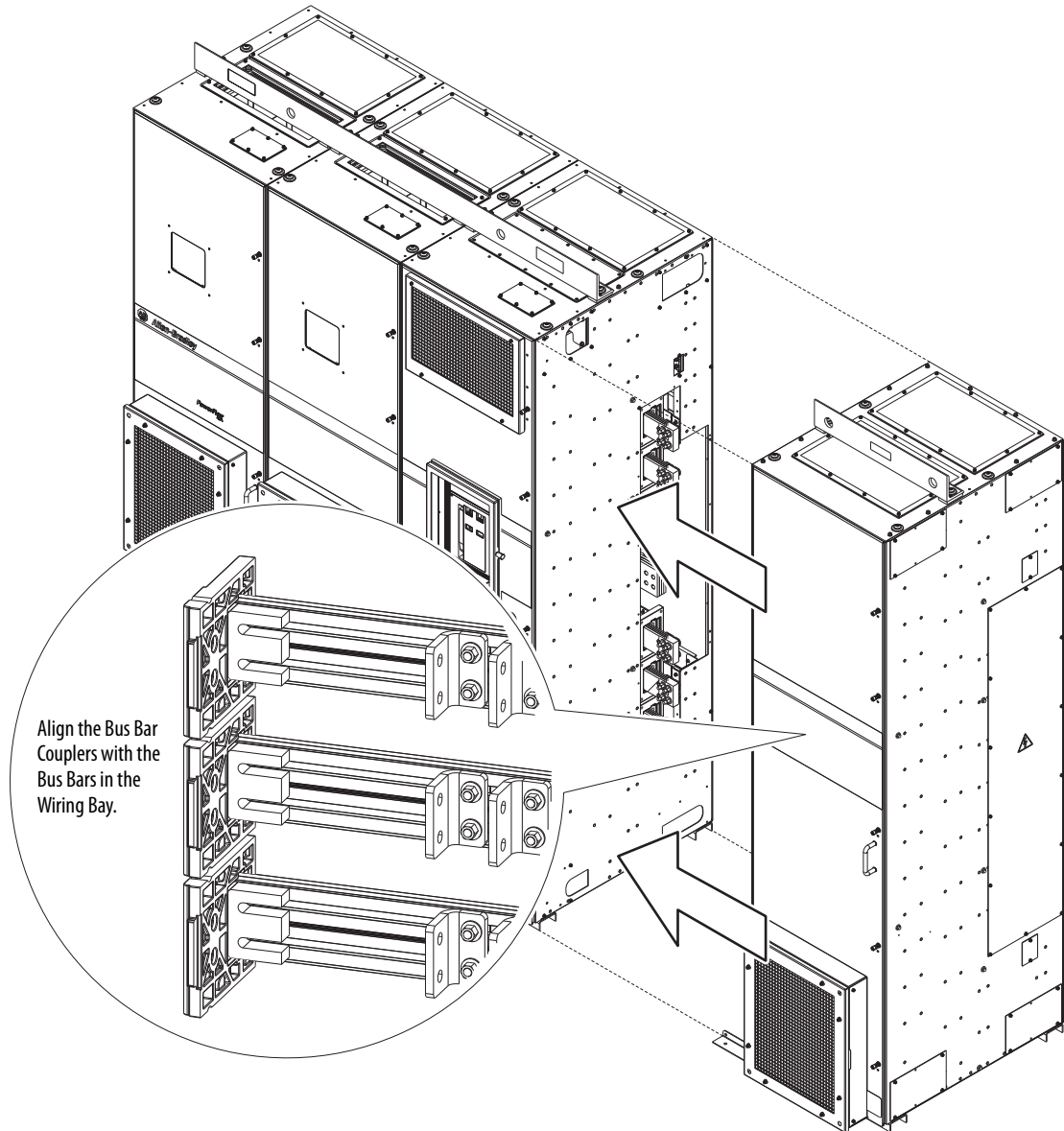
4. Release the wiring bay from the shipping skid.

The shipping angles on the left side of the cabinet can be left in place to assist with alignment in step 6 on [page 55](#). Remove the shipping angles after cabinets are aligned and joined.



5. Align the wiring bay with cabinet options bay.
6. Bring the cabinets together.

The bus bar couplers extend from the cabinet options cabinet and align with the bus bars in the wiring bay.



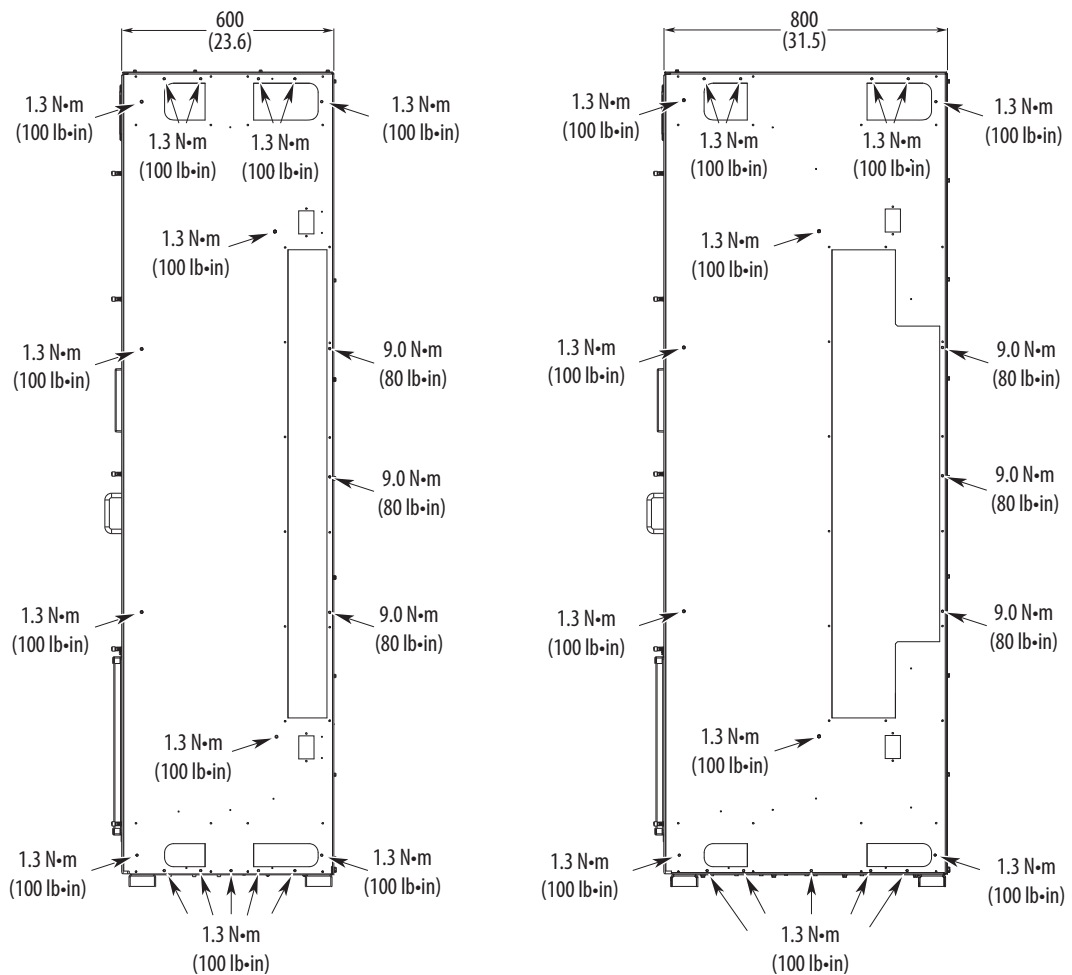
Join the Cabinets

To join the cabinets, follow these steps.

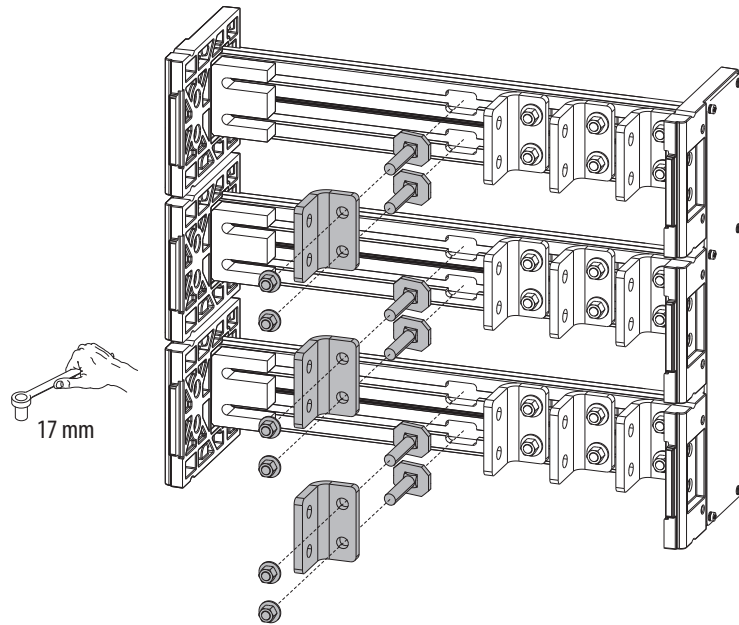
1. Pass the M8 x 16 mm hex-head thread-forming screws from inside the wiring bay through the clearance holes.
2. Engage the screws with the holes in the cabinet options bay.
Make sure that the cabinets are level and aligned and pushed tightly together.
3. Lightly tighten the screws in a uniform pattern.

IMPORTANT Do not use hardware to draw cabinets together.

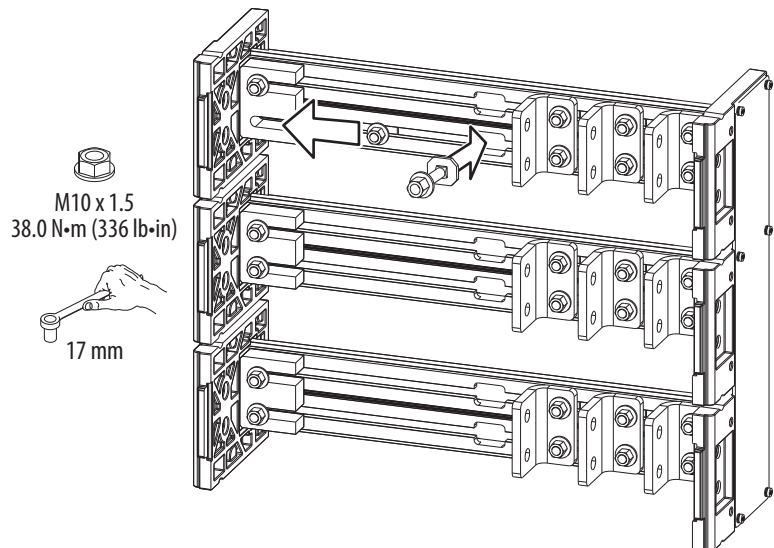
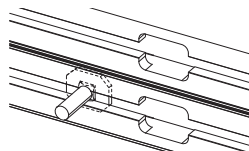
4. Torque the screws as shown here.



- To access the channel notches, remove the left-most L-bracket from each of the six wiring bay bus bars.

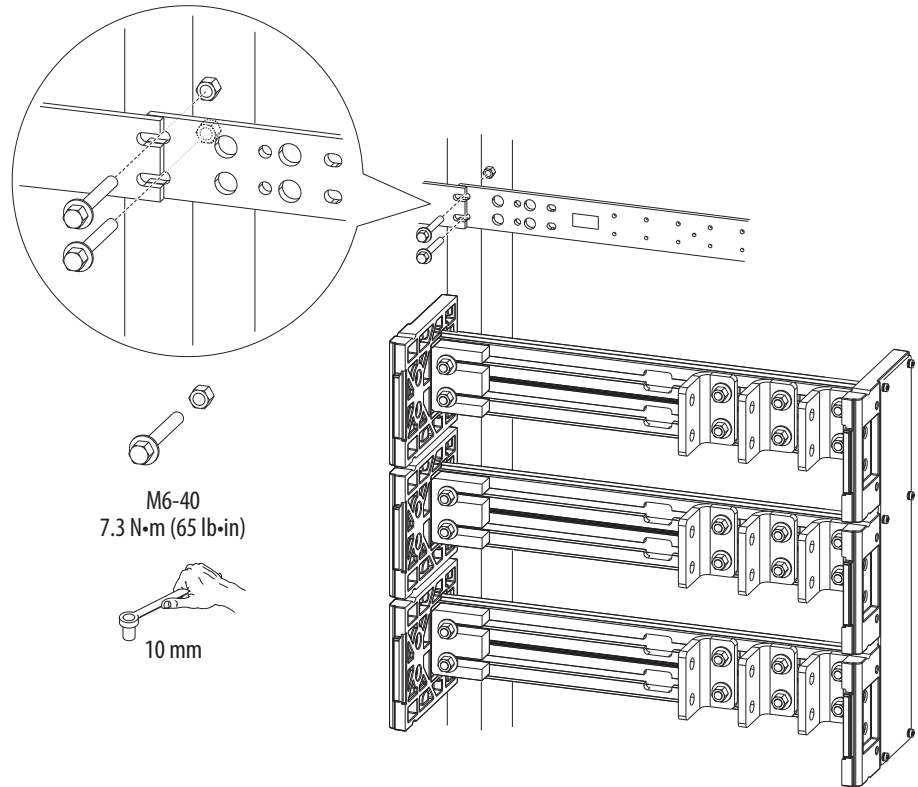


- Insert the 12 carriage bolt assemblies into the 12 wiring bay bus bar channels.
- Slide the carriage bolt assemblies into the bus bar couplers on the left and tighten.

**IMPORTANT**

Verify that clamp fits squarely in the bus bar channel.

- To secure the upper and lower PE bus bars to the cabinet bracket, use the M6 x 40 bolts and flange nuts.



- Reinstall the L-brackets that were removed in [step 5](#).
See pages [172...176](#) for torque requirements and addition L-bracket and wiring details.

Approximate Dimensions – Wall Mount Frames 1...7 and Floor Mount Frames 8...10

See [Table 9](#) for an index of dimension drawings for wall mount and floor mount drives.

Table 9 - Dimension Drawing Index

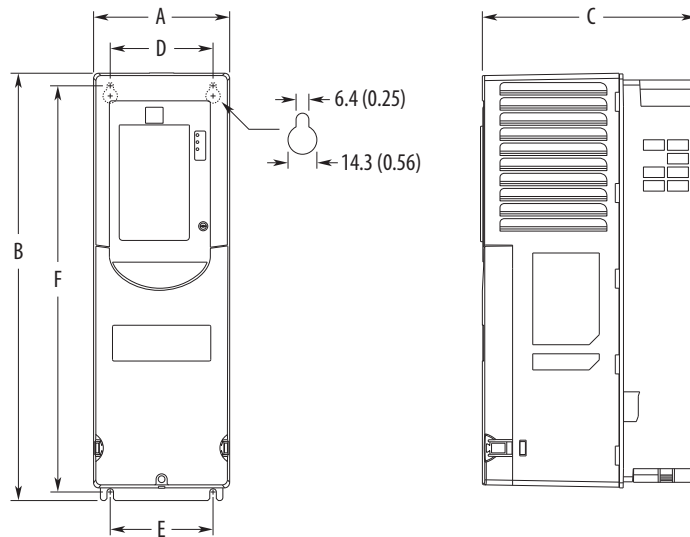
Frame	Description	Page
1	IP20, NEMA/UL Open Type	60
2	IP20, NEMA/UL Open Type	60
	IP54, NEMA/UL Type 12	61
	IP54, NEMA/UL Type 12, bottom access	63
	Flange mount	64
3	IP20, NEMA/UL Open Type	60
	IP54, NEMA/UL Type 12	61
	IP54, NEMA/UL Type 12, bottom access	63
	Flange mount	65
4	IP20, NEMA/UL Open Type	60
	IP54, NEMA/UL Type 12	61
	IP54, NEMA/UL Type 12, bottom access	63
	Flange mount	66
5	IP20, NEMA/UL Open Type	60
	IP54, NEMA/UL Type 12	61
	IP54, NEMA/UL Type 12, bottom access	63
	Flange mount	67
1...5	NEMA/UL Type 1 Kit	68
1...5	NEMA/UL Type 1, bottom access	69
1...5	EMC plate kit	70
6	IP00, NEMA/UL Open Type	71
	IP54, NEMA/UL Type 12	72
	Flange mount	73
	NEMA/UL Type 1 Kit	74
7	IP00, NEMA/UL Open Type	71
	IP54, NEMA/UL Type 12	75
	Flange mount	76
	NEMA/UL Type 1 Kit	77
8	IP20, NEMA/UL Type 1, MCC style cabinet, 600 mm (23.6 in.) deep	78
	IP20, NEMA/UL Type 1, MCC style cabinet, 800 mm (31.5 in.) deep	79
	IP54, NEMA 12, MCC style cabinet, 800 mm (31.5 in.) Deep	80
9	IP20, NEMA/UL Type 1, MCC style cabinet, 600 mm (23.6 in.) deep	81
	IP20, NEMA/UL Type 1, MCC style cabinet, 800 mm (31.5 in.) deep	82
	IP54, NEMA 12, MCC style cabinet, 800 mm (31.5 in.) deep	83

Table 9 - Dimension Drawing Index (Continued)

10	IP20, NEMA/UL Type 1, MCC style cabinet, 600 mm (23.6 in.) deep	84
	IP20, NEMA/UL Type 1, MCC style cabinet, 600 mm (23.6 in.) deep, bottom access	85
	IP20, NEMA/UL Type 1, MCC style cabinet, 800 mm (31.5 in.) deep	86
	IP20, NEMA/UL Type 1, MCC style cabinet, 800 mm (31.5 in.) deep, bottom access	87
	IP54, NEMA 12, MCC style cabinet, 800 mm (31.5 in.) deep	88
	IP54, NEMA 12, MCC style cabinet, 800 mm (31.5 in.) deep, bottom access	89

See [page 90](#) for dimensions of drives with cabinet options.

Figure 23 - IP20, NEMA/UL Open Type, Wall Mount Frames 1...5 (Frame 2 Shown)



Dimensions are in millimeters and (inches).
Weights are in kilograms and (pounds).

Frame	A	B	C	D	E	F	Weight, kg (lb)
1	110.0 (4.33)	400.5 (15.77)	211.0 (8.31)	68.0 (2.68)	82.0 (3.23)	390.4 (15.37)	6.0 (12.75)
2	134.5 (5.30)	424.2 (16.70)	212.0 (8.35)	100.0 (3.94)	100.0 (3.94)	404.2 (15.91)	7.8 (17.2)
3	190.0 (7.48)	454.0 (17.87)	212.0 (8.35)	158.0 (6.22)	158.0 (6.22)	435.0 (17.13)	11.8 (26.1)
4	222.0 (8.74)	474.0 (18.66)	212.0 (8.35)	194.0 (7.64)	202.0 (7.95)	455.0 (17.91)	13.6 (30.0)
5	270.0 (10.63)	550.0 (21.65)	212.0 (8.35)	238.0 (9.37)	238.0 (9.37)	531.0 (20.91)	20.4 (45.0)


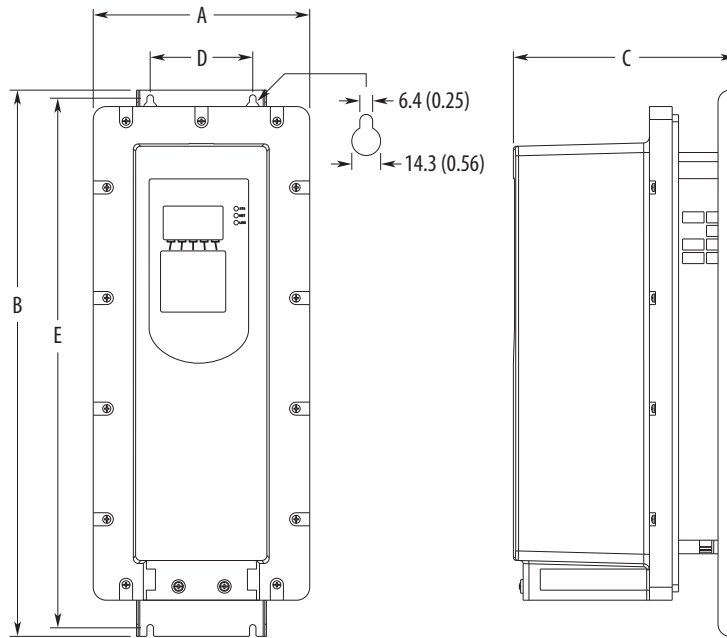
 M6 (#10 or #12) mounting hardware recommended.

Figure 24 - IP54, NEMA/UL Type 12, Wall Mount Frames 2...5 (Frame 2 Shown)



Dimensions are in millimeters and (inches).
Weights are in kilograms and (pounds).

Frame	A	B	C	D	E	Weight, kg (lb)
2	215.3 (8.48)	543.2 (21.39)	222.2 (8.75)	100.0 (3.94)	528.2 (20.80)	7.8 (17.2)
3	268.0 (10.55)	551.0 (21.69)	220.1 (8.67)	158.0 (6.22)	533.0 (20.98)	11.8 (26.1)
4	300.0 (11.81)	571.0 (22.48)	220.1 (8.67)	194.0 (7.64)	553.0 (21.77)	13.6 (30.0)
5	348.0 (13.70)	647.0 (25.47)	220.1 (8.67)	238.0 (9.37)	629.0 (24.76)	20.4 (45.0)

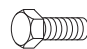
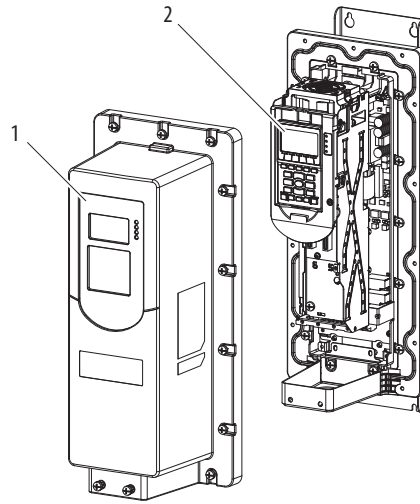
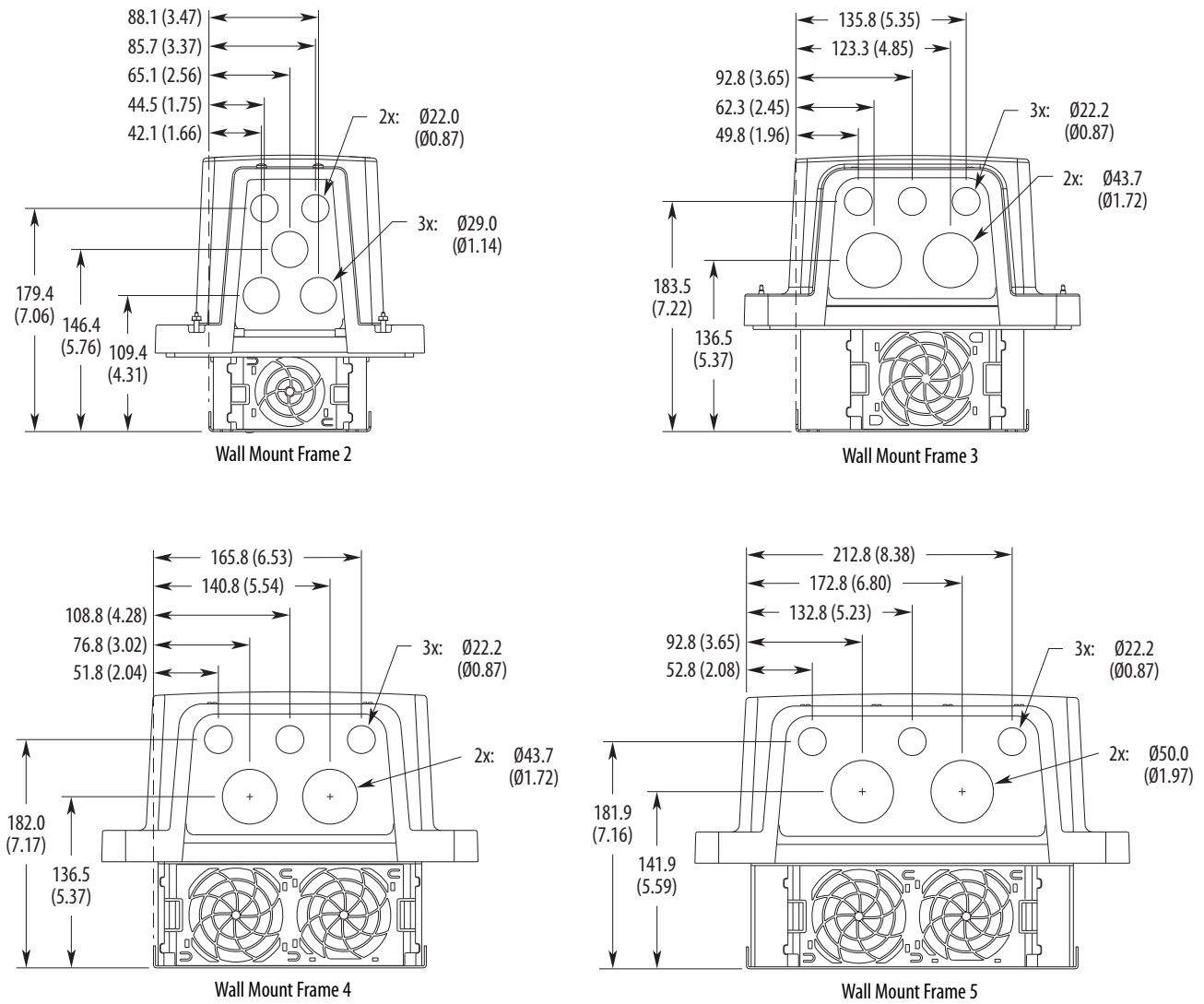
 M6 (#10 or #12) mounting hardware recommended.

Figure 25 - P54, NEMA/UL Type 12, Wall Mount Frames 2...5 Human Interface Module Access



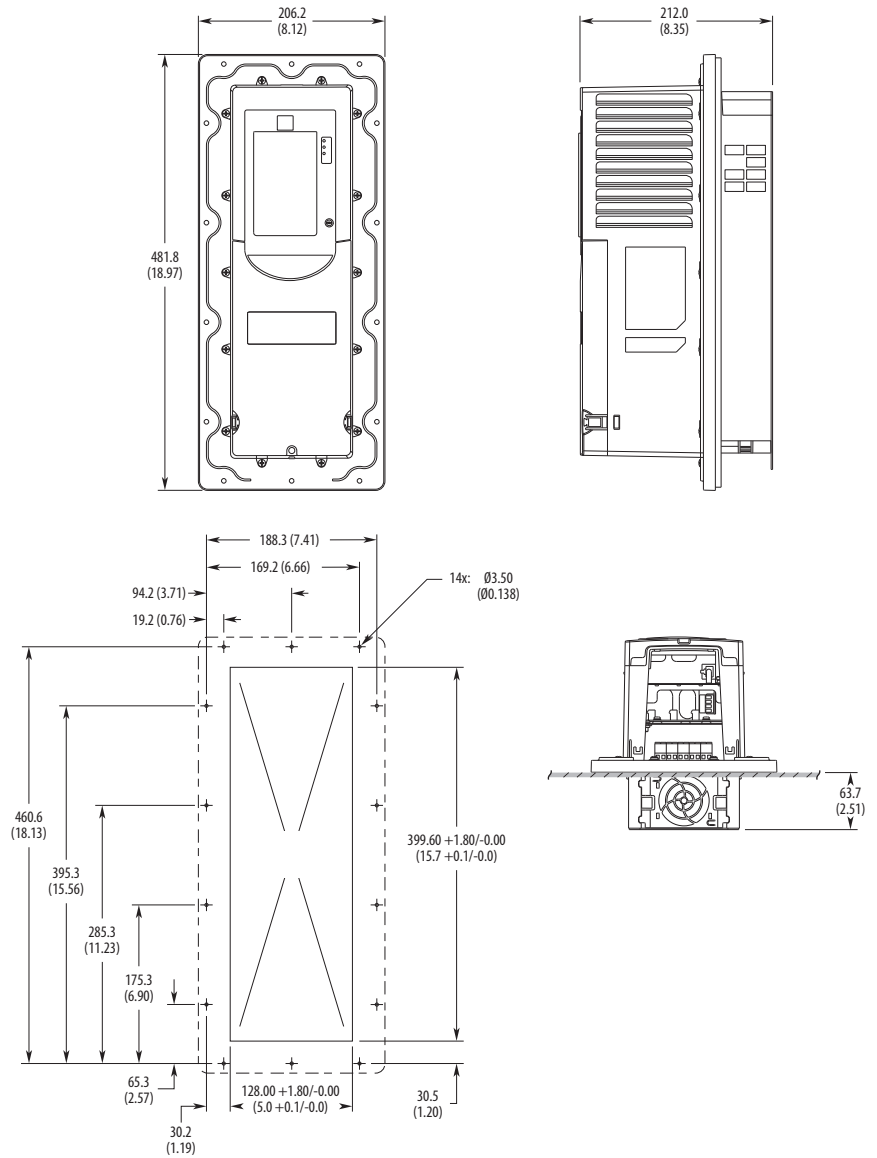
No.	Description
1	Flexible panel that is molded into the IP54, NEMA/UL Type 12 cover.
2	Human interface module, catalog number 20-HIM-A6, under cover in control pod cradle.

Figure 26 - IP54, NEMA/UL Type 12, Wall Mount Frames 2...5, Bottom Access



Dimensions are in millimeters and (inches).

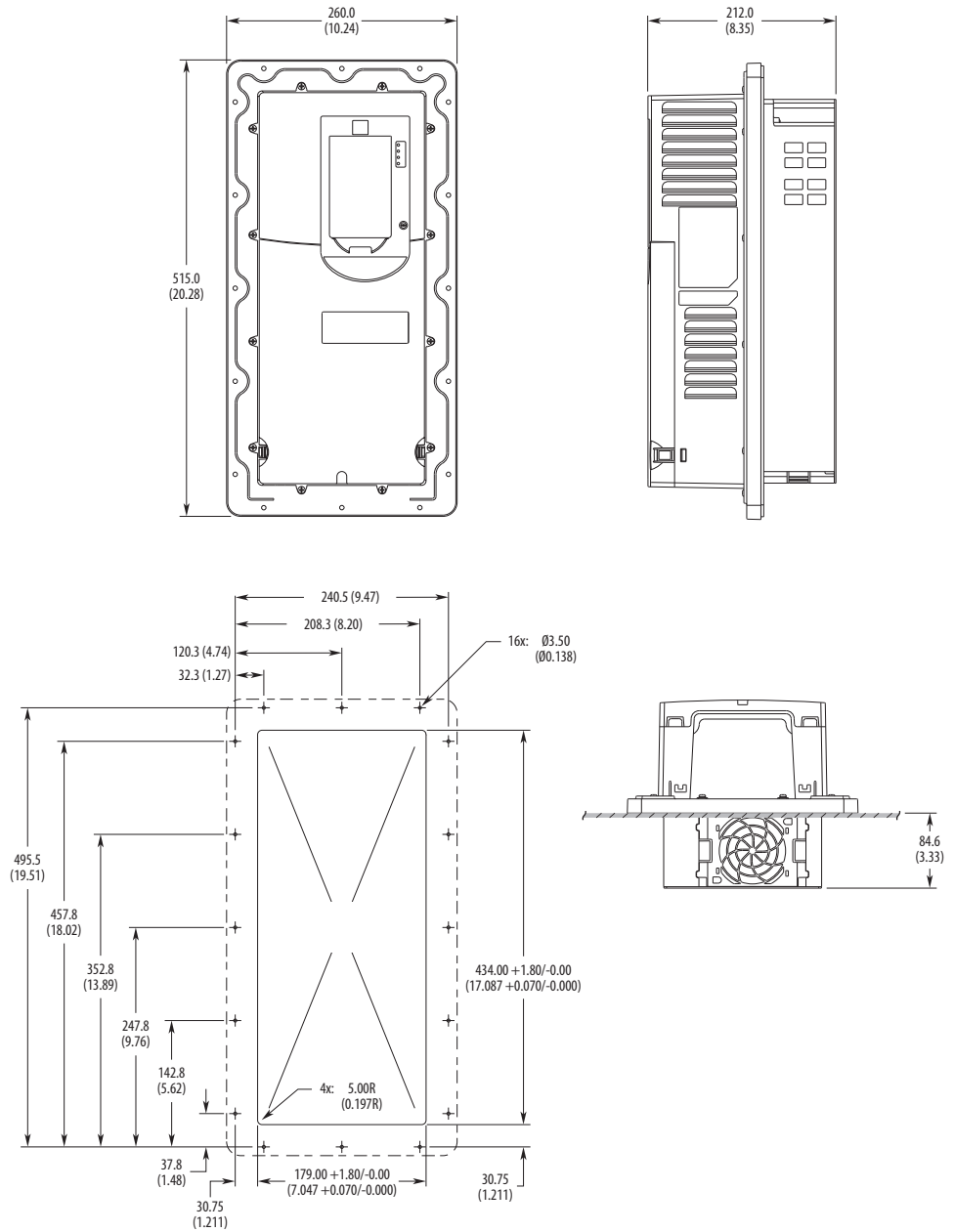
Figure 27 - Flange Mount, Frame 2



Dimensions are in millimeters and (inches).

IMPORTANT Must use mounting hardware that is supplied to meet enclosure rating.

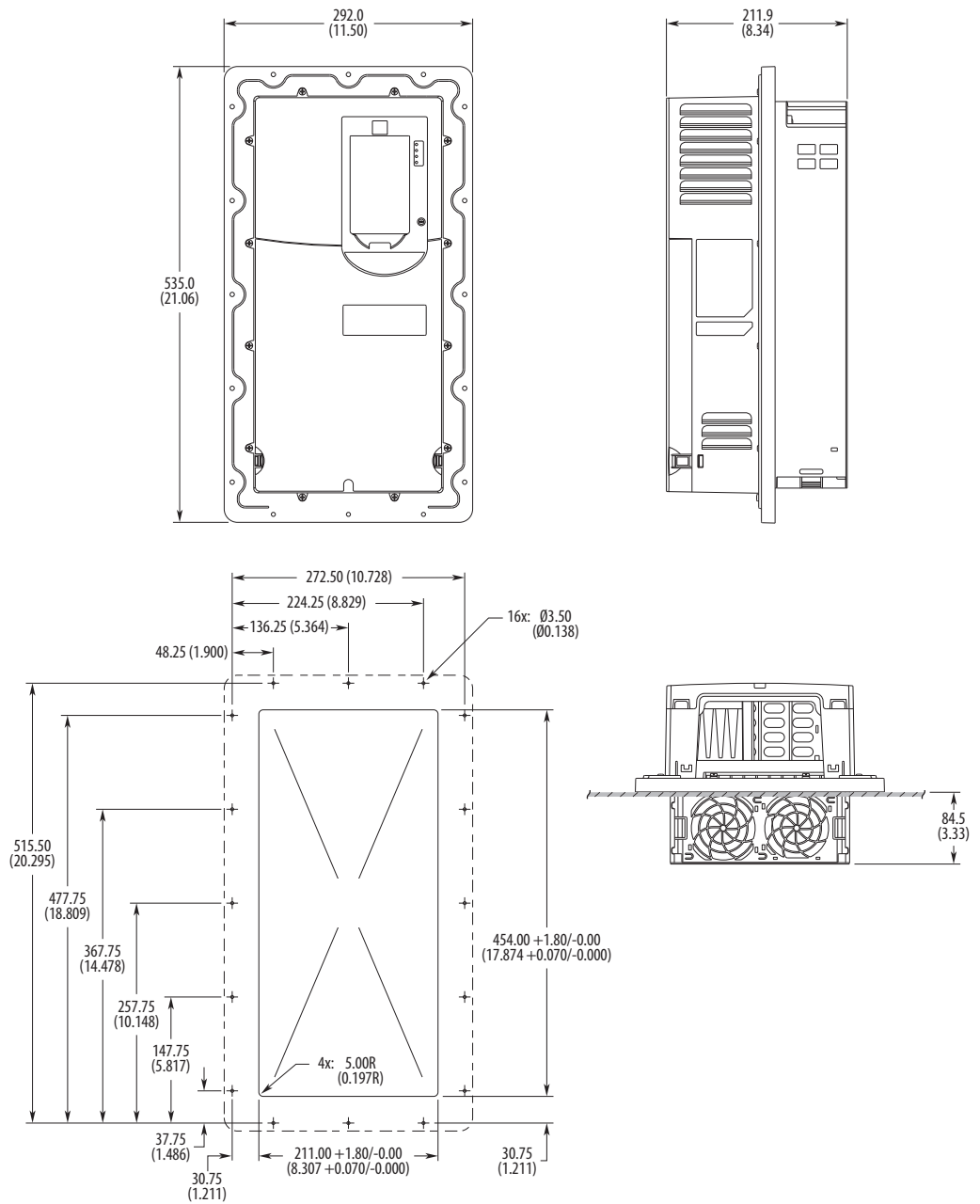
Figure 28 - Flange Mount, Frame 3



Dimensions are in millimeters and (inches).

IMPORTANT Must use mounting hardware that is supplied to meet enclosure rating.

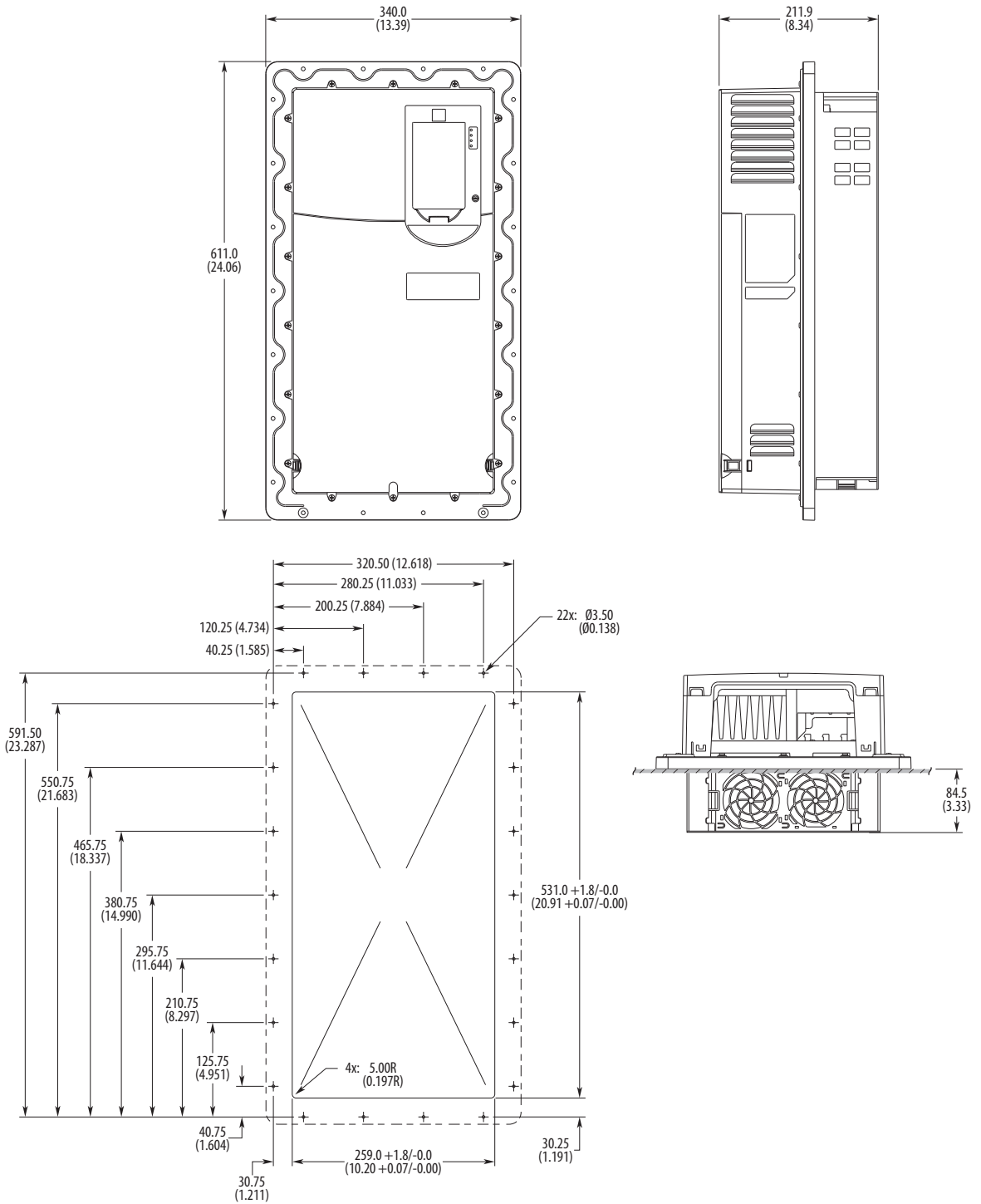
Figure 29 - Flange Mount, Frame 4



Dimensions are in millimeters and (inches).

IMPORTANT Must use mounting hardware that is supplied to meet enclosure rating.

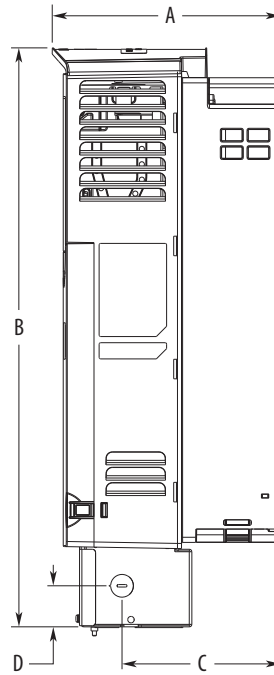
Figure 30 - Flange Mount, Frame 5



Dimensions are in millimeters and (inches).

IMPORTANT Must use mounting hardware that is supplied to meet enclosure rating.

Figure 31 - NEMA/UL Type 1 Kit, Wall Mount Frames 1...5 (Frame 4 Shown)

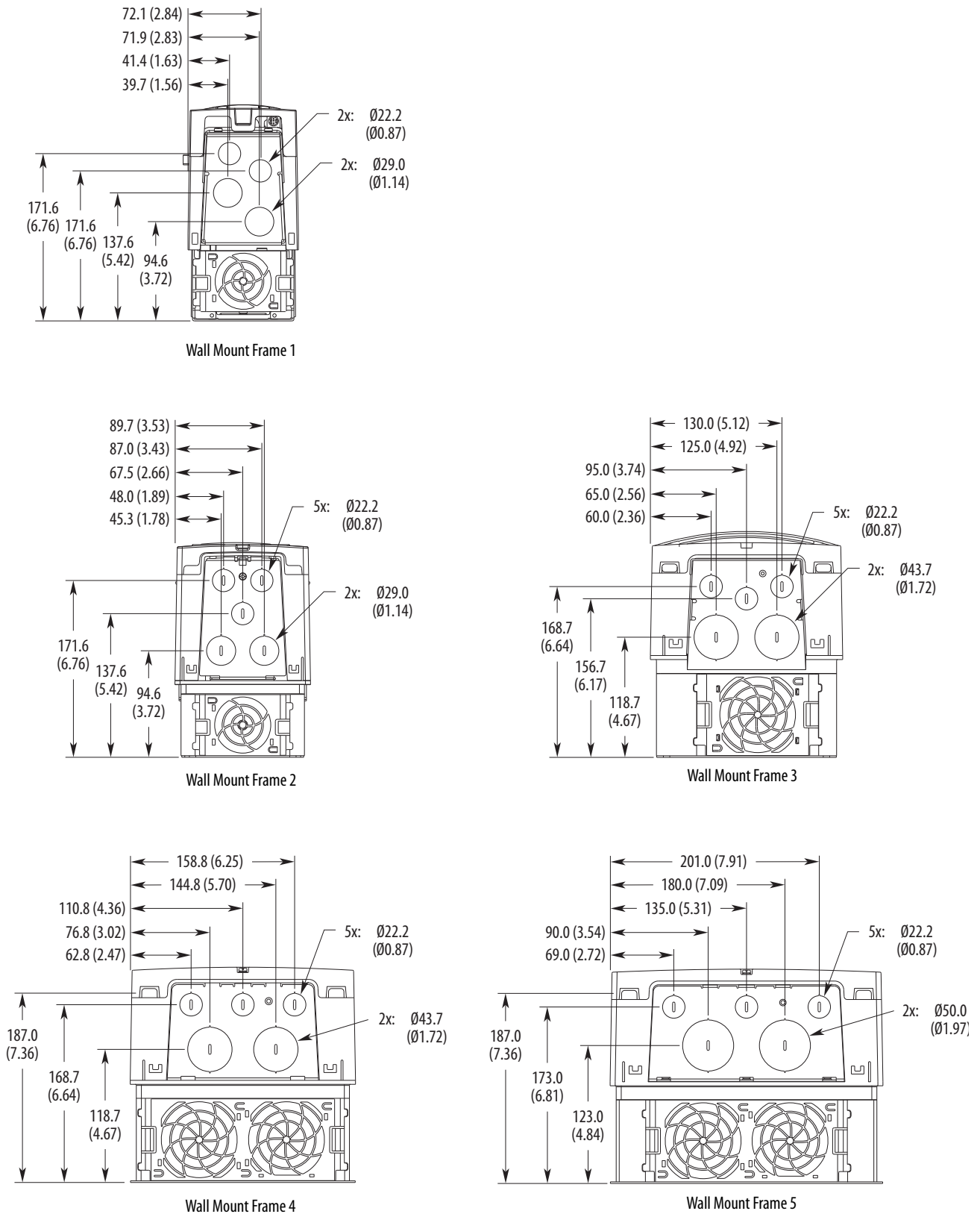


Dimensions are in millimeters and (inches).

Frame	A	B	C	D
1	215.4 (8.48)	458.8 (18.06)	–	–
2	222.2 (8.75)	497.1 (19.57)	117.7 (4.63)	38.0 (1.50)
3	223.1 (8.78)	530.1 (20.87)	154.7 (6.09)	38.0 (1.50)
4	222.7 (8.77)	564.4 (22.22)	154.7 (6.09)	40.0 (1.57)
5	222.7 (8.77)	665.4 (26.20)	155.0 (6.10)	55.0 (2.17)

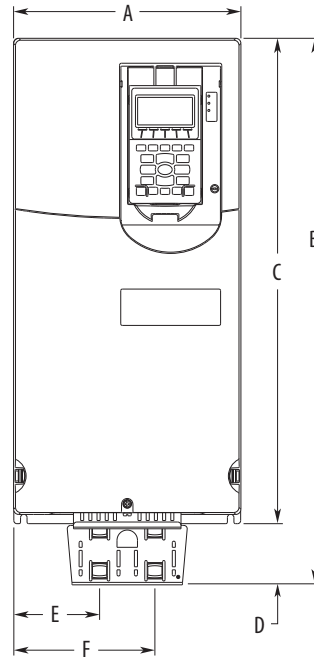
IMPORTANT NEMA Type 1 kits (catalog number 20-750-NEMA1-Fx) do not change the mounting dimensions in [Figure 23](#) (where x is the frame size of the drive)

Figure 32 - NEMA/UL Type 1, Wall Mount Frames 1...5, Bottom Access



Dimensions are in millimeters and (inches).

Figure 33 - EMC Plate Kit, Wall Mount Frames 1...5 (Frame 4 Shown)

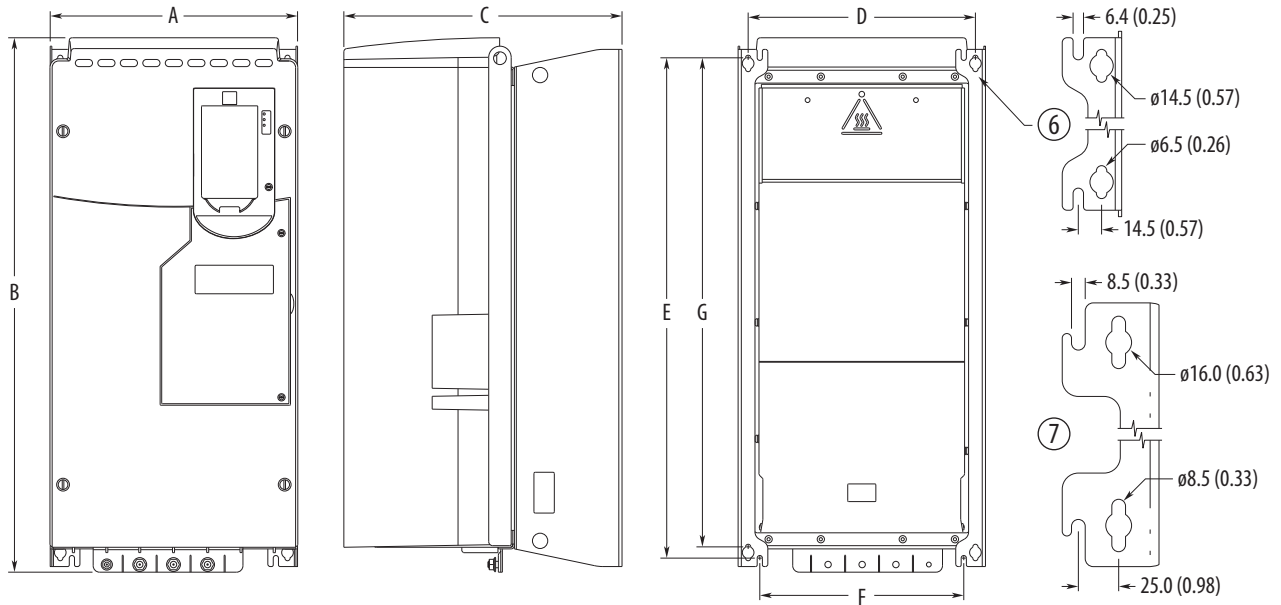


Dimensions are in millimeters and (inches).

Frame	A	B	C	D	E	F
1	110.0 (4.33)	478.8 (18.85)	400.5 (15.77)	78.3 (3.08)	37.4 (1.47)	73.4 (2.89)
2	134.5 (5.30)	485.9 (19.13)	424.2 (16.70)	61.7 (2.43)	43.5 (1.71)	79.5 (3.13)
3	190.0 (7.48)	514.0 (20.24)	454.0 (17.87)	60.0 (2.36)	74.0 (2.91)	116.0 (4.57)
4	222.0 (8.74)	533.7 (21.01)	474.0 (18.66)	59.7 (2.35)	84.0 (3.31)	138.0 (5.43)
5	270.0 (10.63)	609.7 (24.00)	550.0 (21.65)	59.7 (2.35)	77.8 (3.06)	191.8 (7.55)

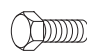
IMPORTANT EMC Kits (20-750-EMCx-Fx) do not change the mounting dimensions in [Figure 23](#). See the PowerFlex® 750-Series EMC Plate and Cores Installation Instructions, publication [750-IN006](#), for detailed information on kit installation.

Figure 34 - IP00, NEMA/UL Open Type, Wall Mount Frames 6 and 7 (Frame 6 Shown)



Dimensions are in millimeters and (inches).

Frame	A	B	C	D	E	F	G	Weight kg (lb)
6	308.0 (12.13)	665.5 (26.20)	346.4 (13.64)	283.0 (11.14)	623.0 (24.53)	254.0 (10.00)	609.0 (23.98)	38.6 (85.0)
7	430.0 (16.93)	881.5 (34.70)	349.6 (13.76)	380.0 (14.96)	838.0 (32.99)	330.0 (12.99)	825.0 (32.48)	72.6...108.9 (160.0...240.0)

 Frame 6: M6 (#12) mounting hardware recommended.
 Frame 7: M8 (5/16 in.) mounting hardware recommended.

IMPORTANT Always install mounting hardware in all four corners of the mounting legs for stability.
 Only install mounting hardware through the top key holes to help make sure that the drive is securely fastened to the mounting surface.
 At the bottom of the mounting legs, either the key holes or optional open mounting slots can be used.

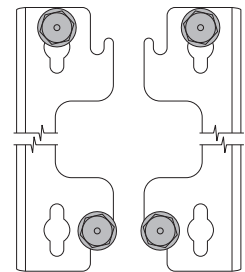
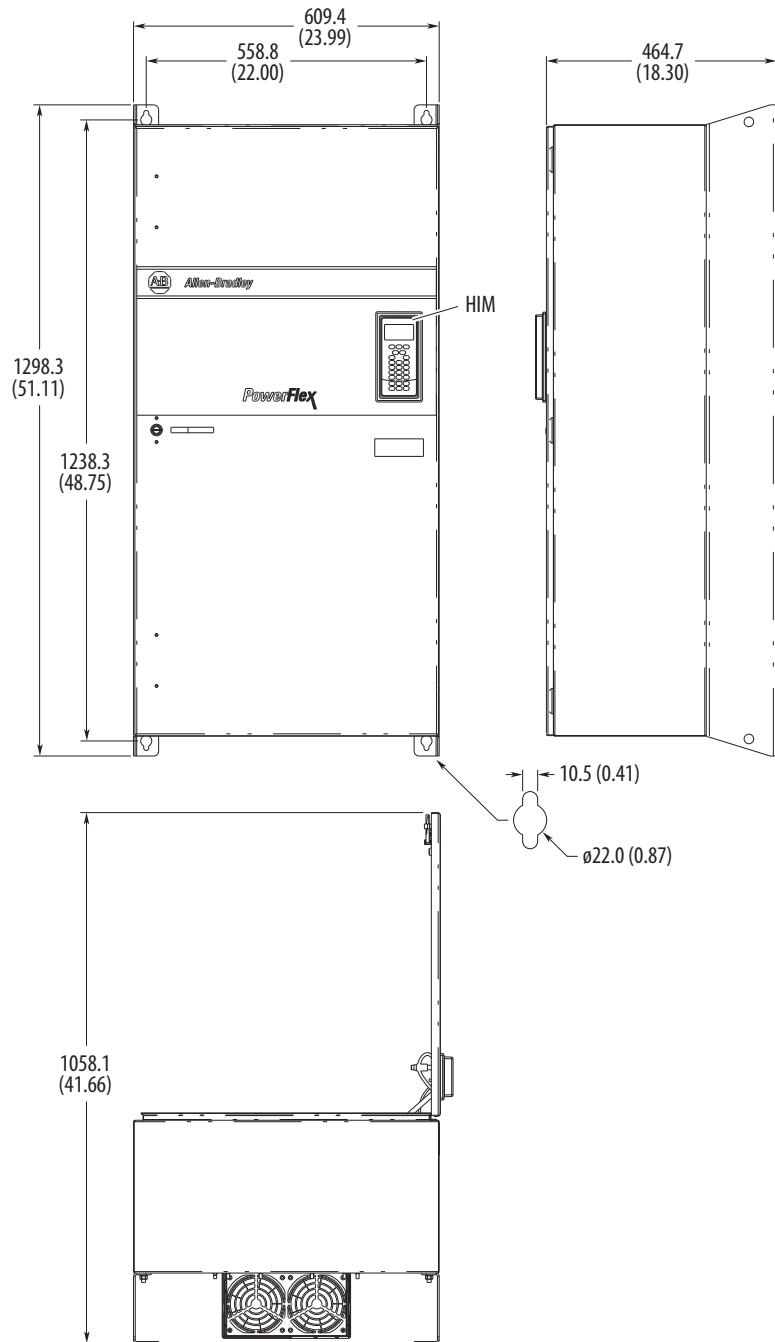


Figure 35 - IP54, NEMA/UL Type 12, Wall Mount Frame 6



IMPORTANT Must use human interface module (HIM), catalog number 20-HIM-C6S, to meet enclosure rating.

Dimensions are in millimeters and (inches).


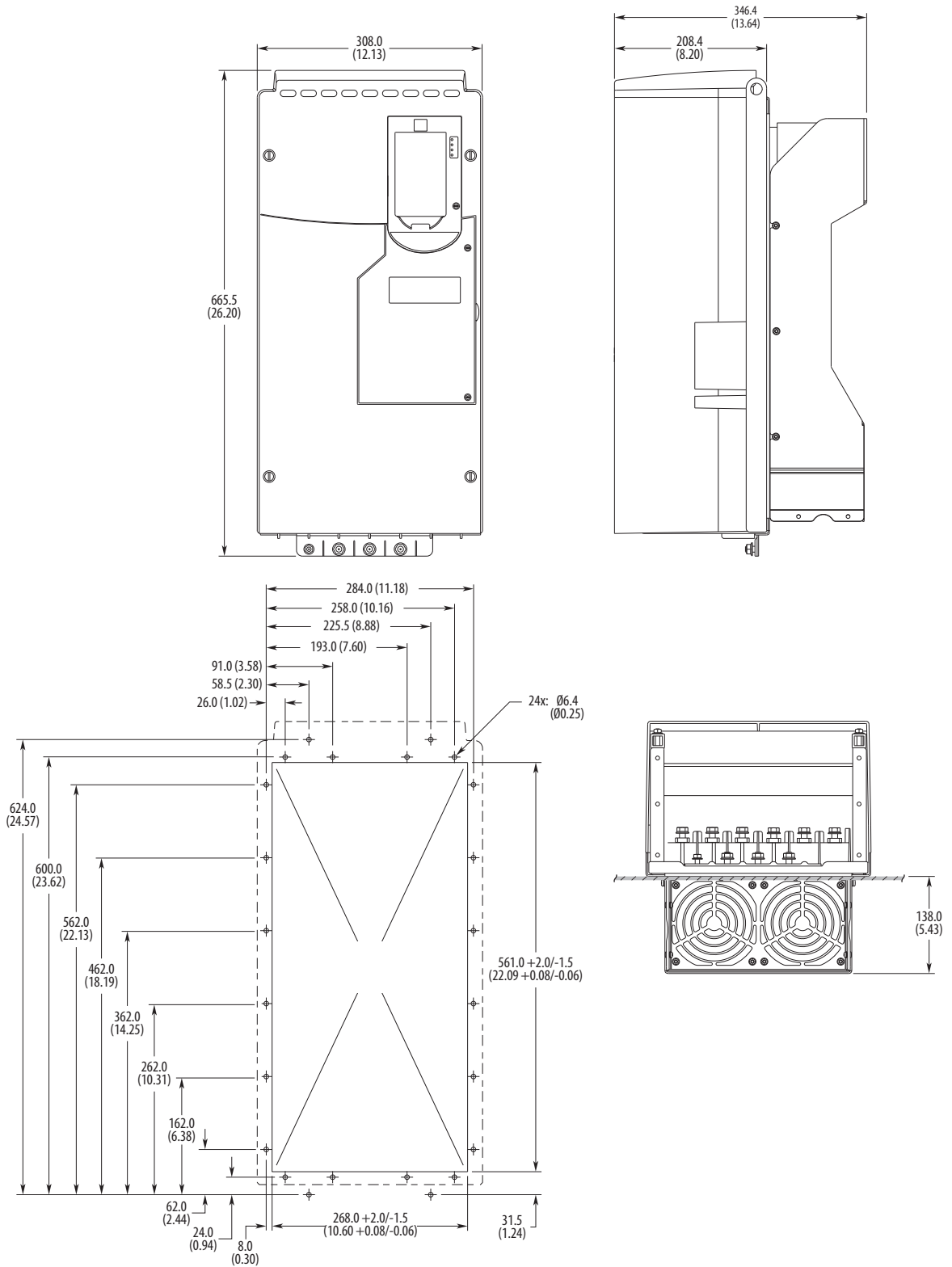
 M10 (7/16 in.) mounting hardware recommended.

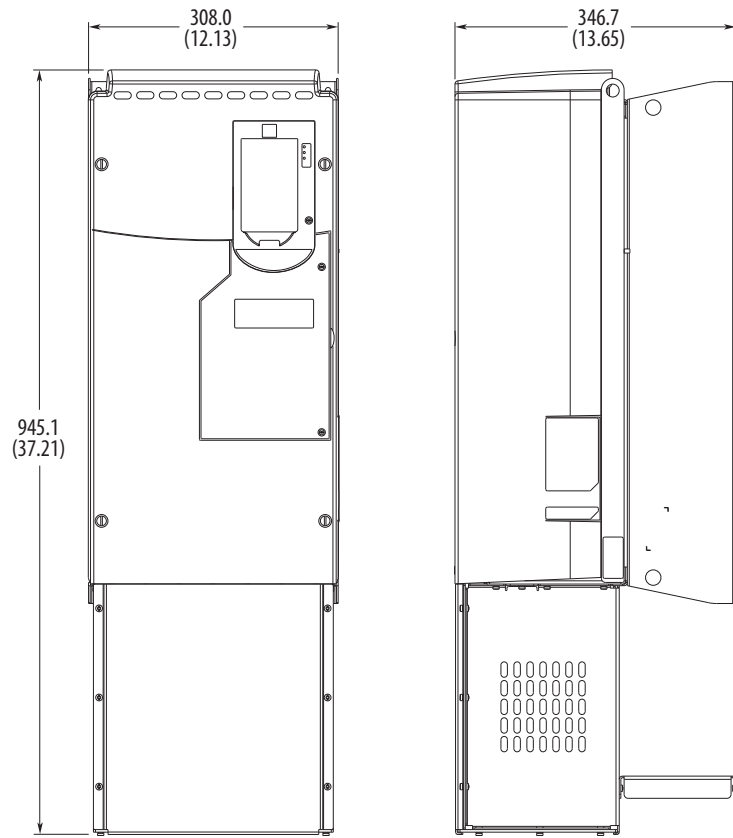
Figure 36 - Flange Mount, Frame 6



Dimensions are in millimeters and (inches).

IMPORTANT Must use flange adapter kit (catalog number 20-750-FLNG4-F6) to meet enclosure rating.

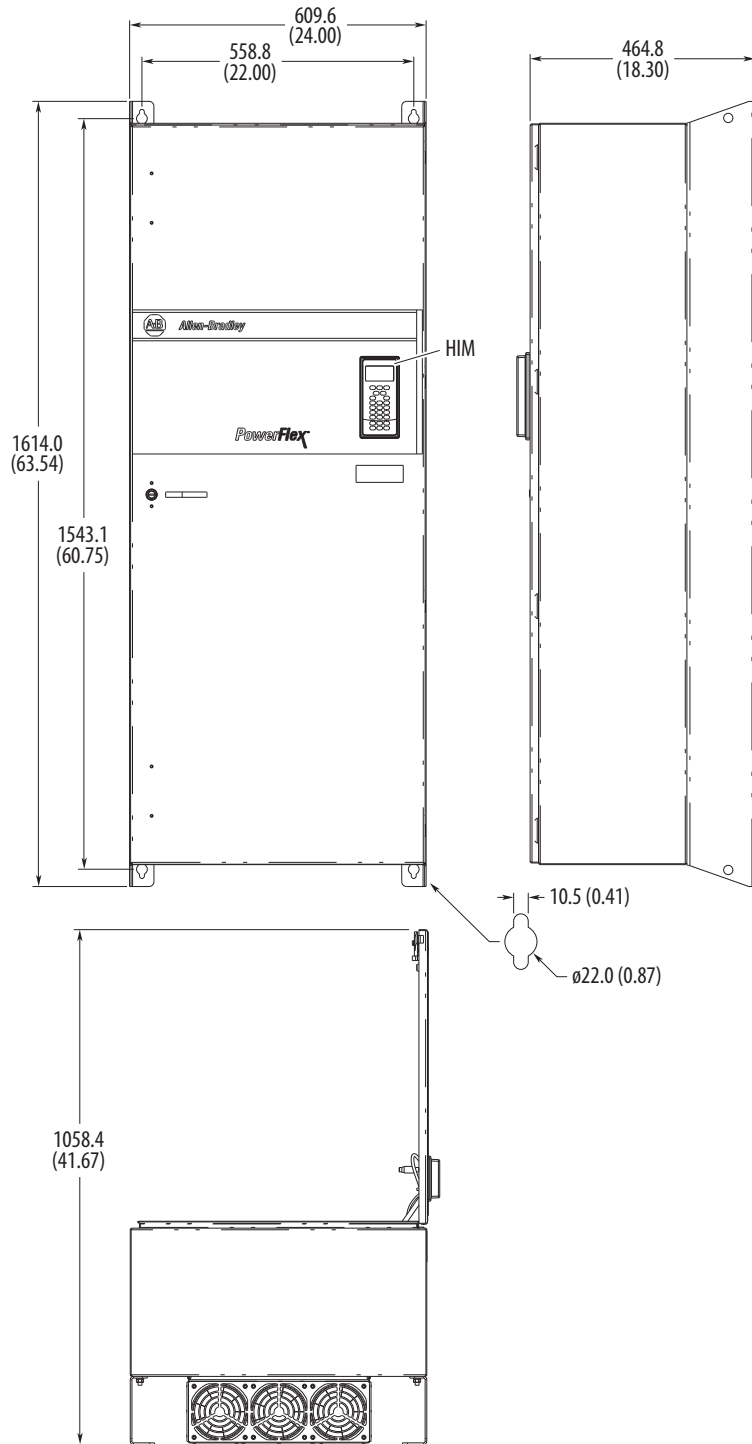
Figure 37 - NEMA/UL Type 1, Wall Mount Frame 6



Dimensions are in millimeters and (inches).

IMPORTANT NEMA Type 1 kit (catalog number 20-750-NEMA1-F6) does not change the mounting dimensions in [Figure 34](#).

Figure 38 - IP54, NEMA/UL Type 12, Wall Mount Frame 7



IMPORTANT Must use human interface module (HIM), catalog number 20-HIM-C6S, to meet enclosure rating.

Dimensions are in millimeters and (inches).


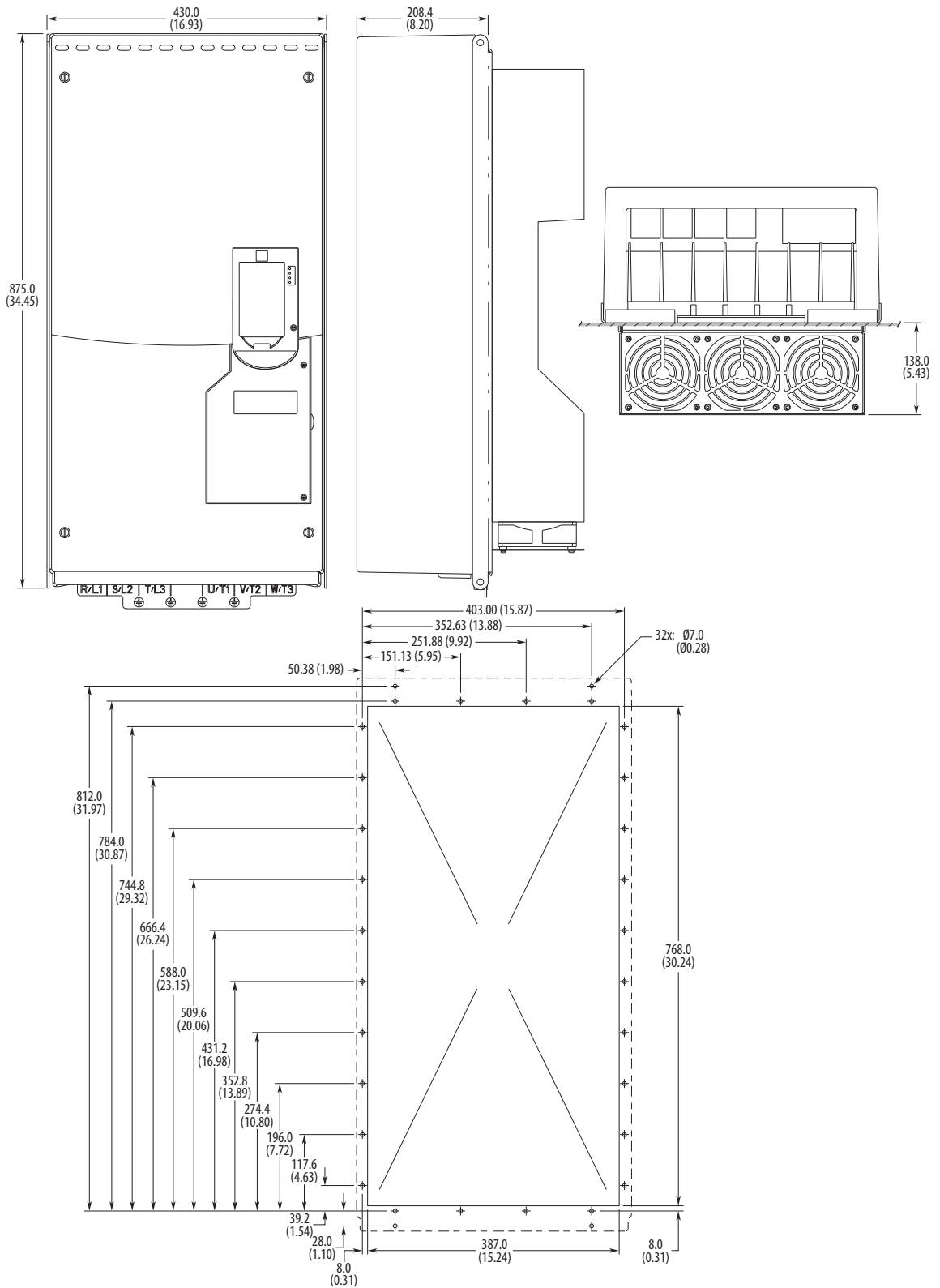
 M10 (7/16 in.) mounting hardware recommended.

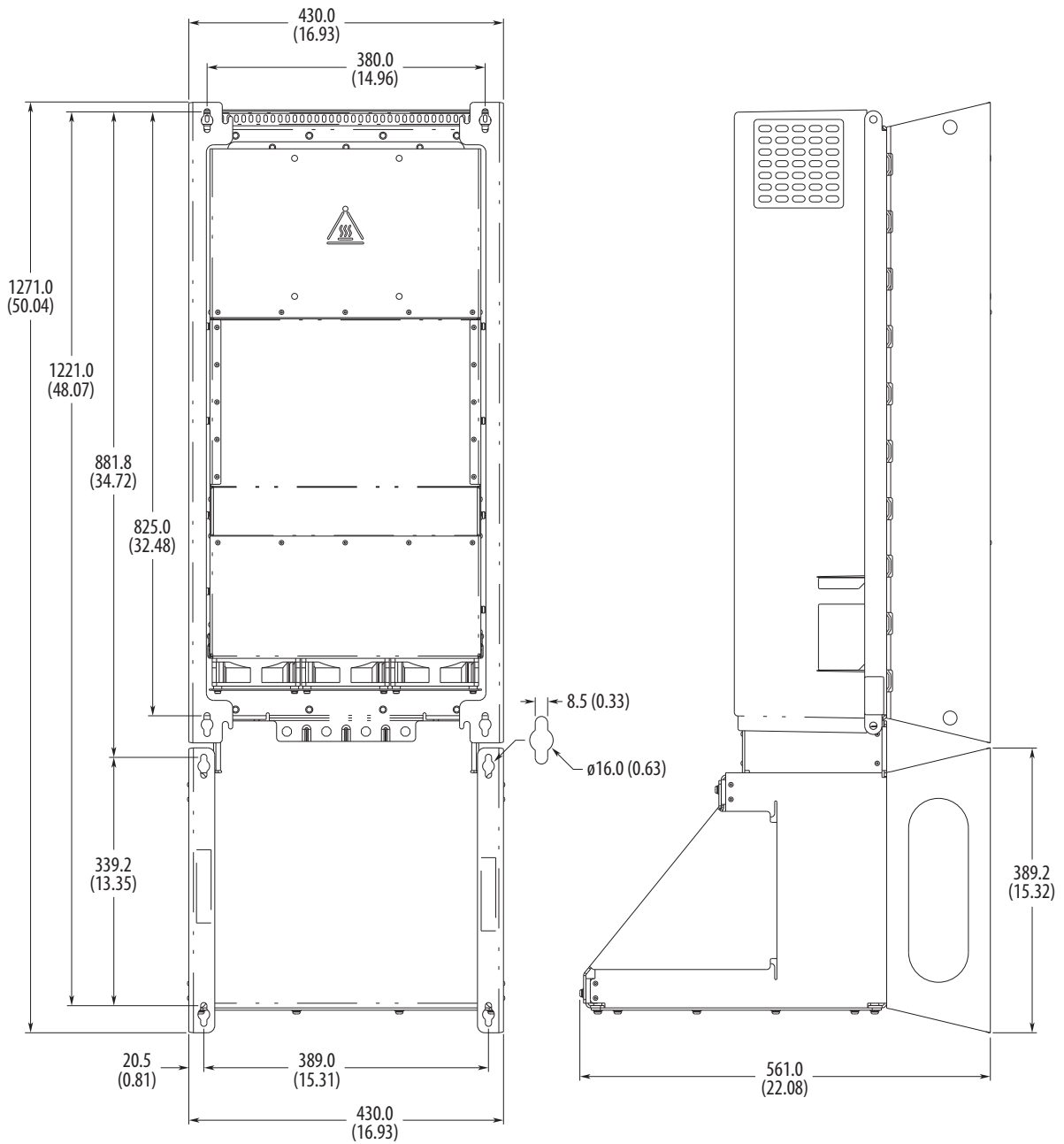
Figure 39 - Flange Mount, Frame 7




Dimensions are in millimeters and (inches).

IMPORTANT Must use flange adapter kit (catalog number 20-750-FLNG4-F7) to meet enclosure rating.

Figure 40 - NEMA/UL Type 1, Wall Mount Frame 7

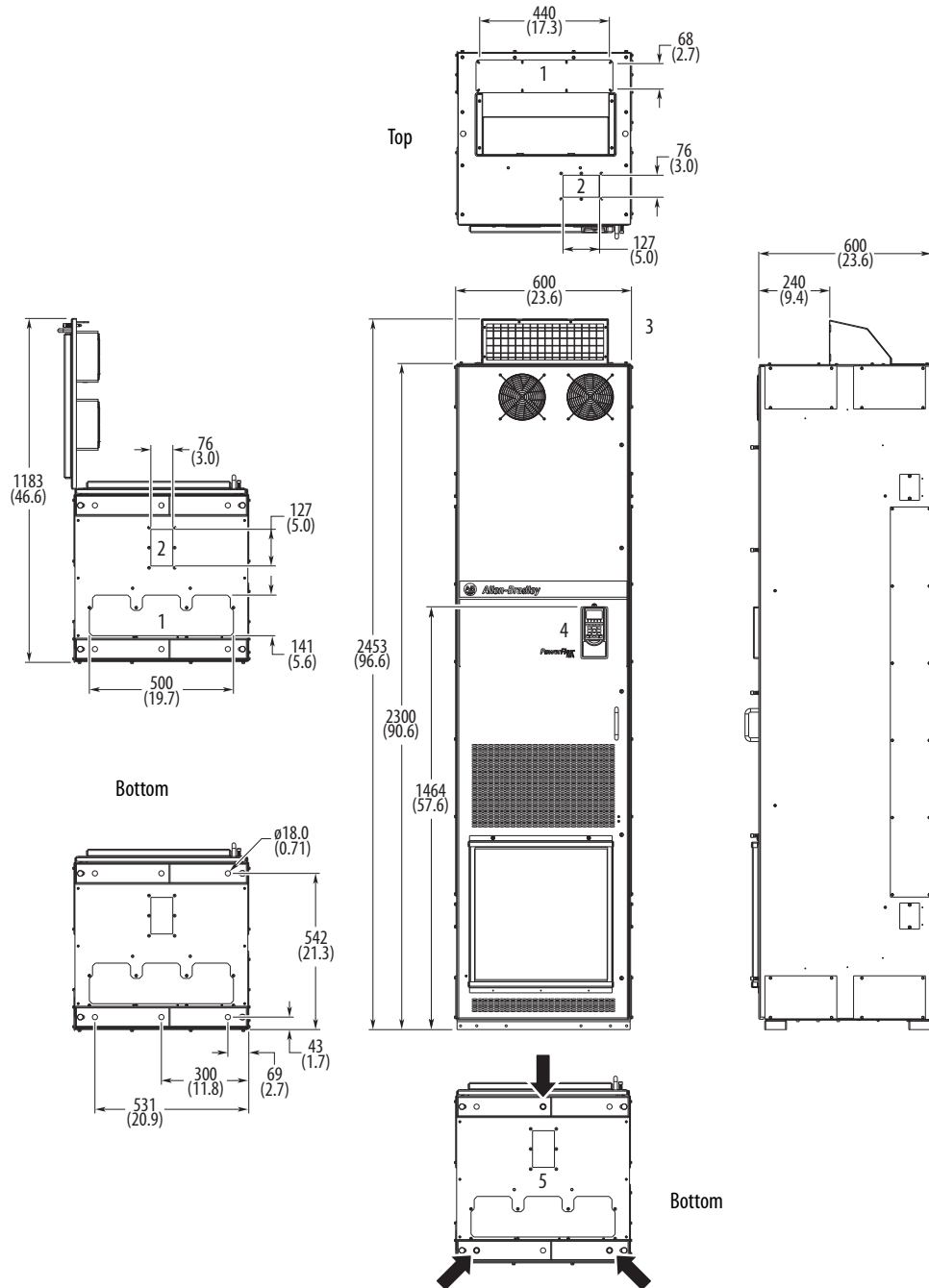


Dimensions are in millimeters and (inches).

 M8 (5/16 in.) mounting hardware recommended.

IMPORTANT NEMA Type 1 kit (catalog number 20-750-NEMA1-F7) does change the mounting dimensions in [Figure 34](#).

Figure 41 - IP20, NEMA/UL Type 1, MCC Style Cabinet, Floor Mount Frame 8 (Enclosure Code B)



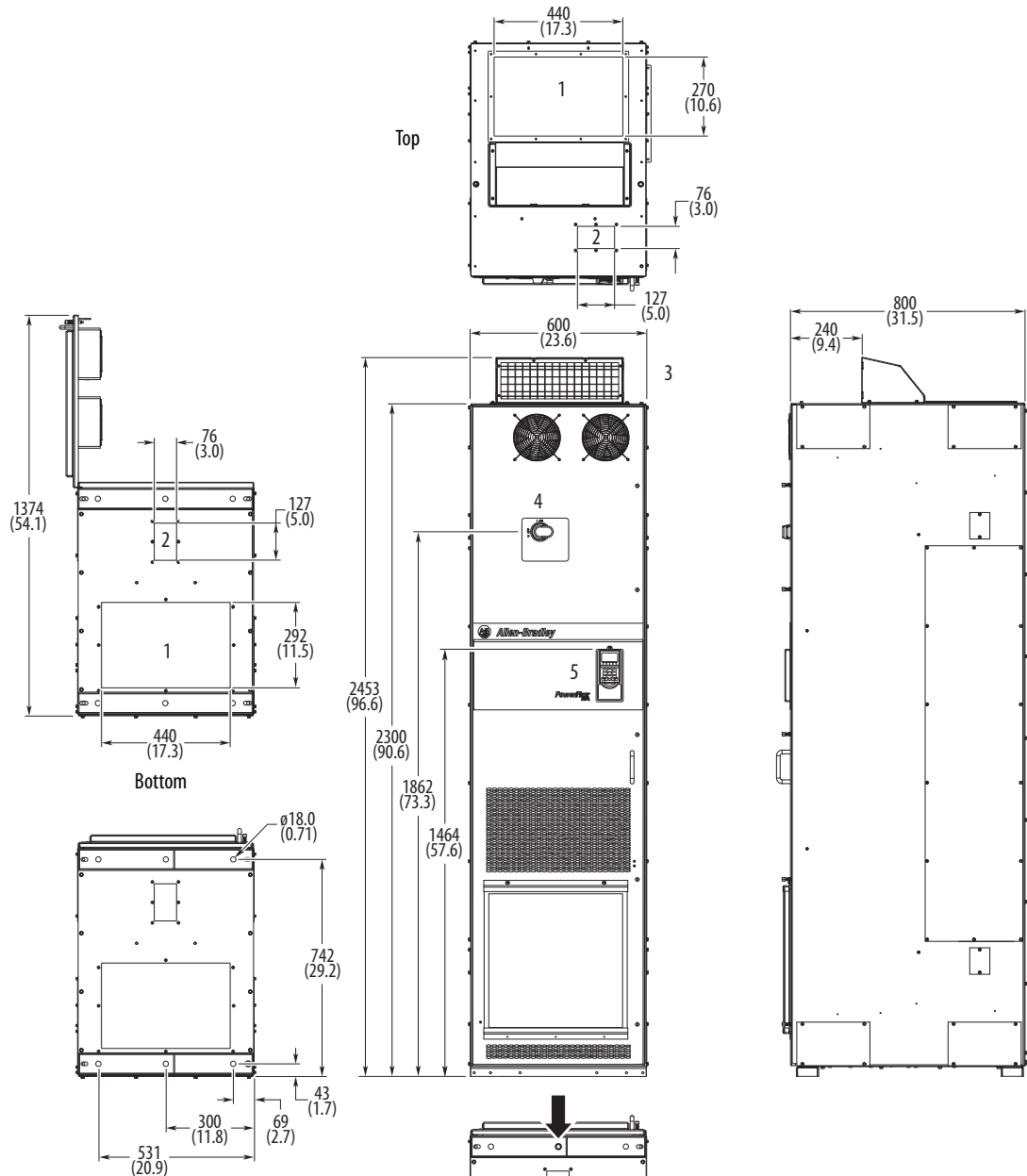
No.	Description
1	Power wiring conduit plates.
2	Control wiring conduit plates.
3	Optional exhaust hood.

No.	Description
4	Optional HIM.
5	Recommended three-hole anchoring.

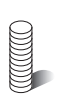
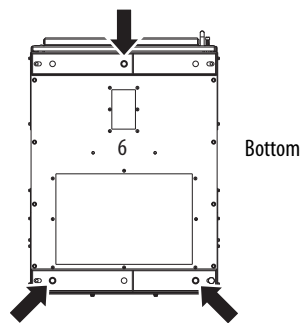


M12 (1/2 in.) Property Class 8.8 anchor hardware is recommended to fasten the drive cabinet through its internal mounting angle to the foundation. Anchor bolts can be pre-located and embedded in the foundation before installation.

Figure 42 - IP20, NEMA/UL Type 1, MCC Style Cabinet, Floor Mount Frame 8 (Enclosure Codes L, P, W)

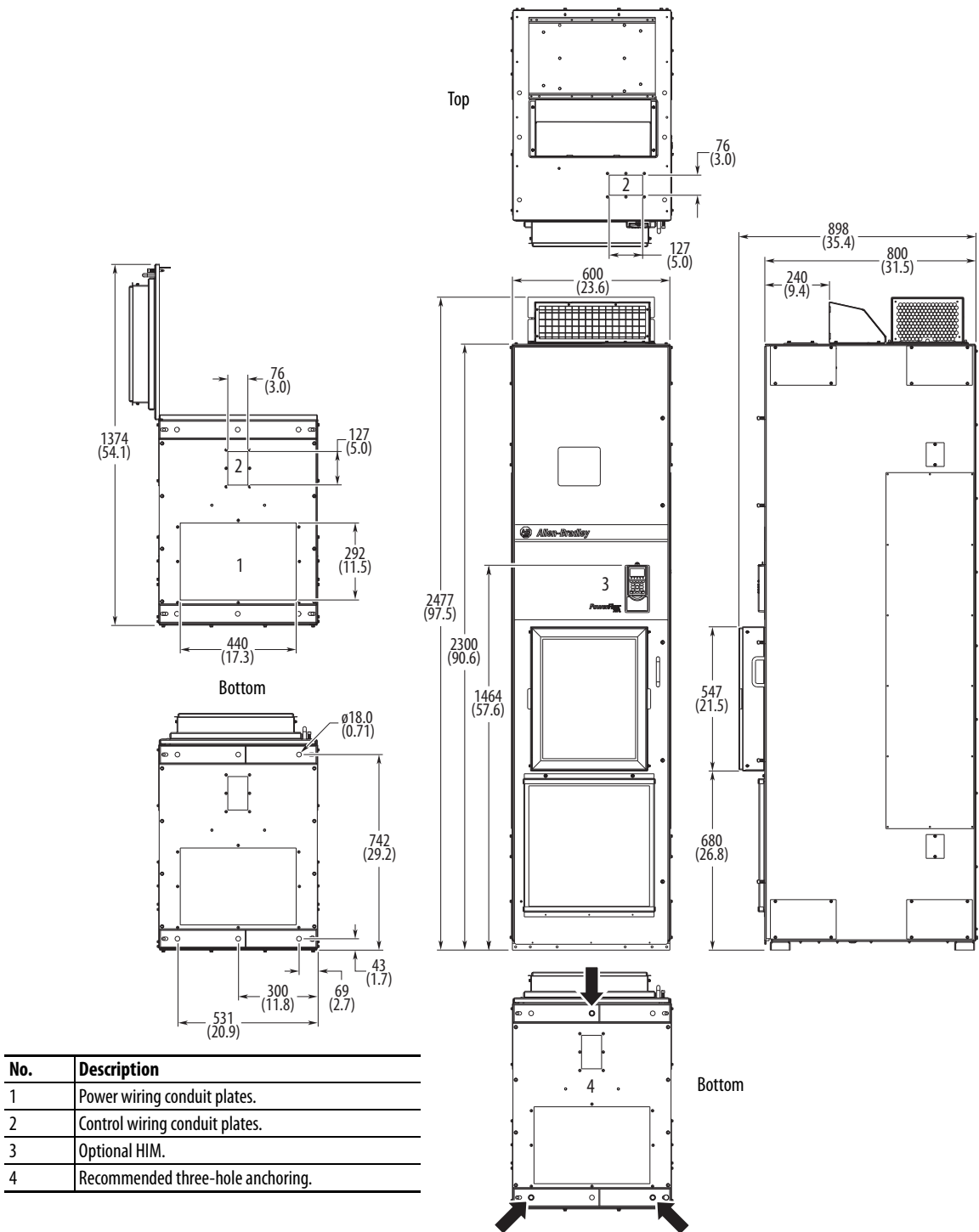


No.	Description
1	Power wiring conduit plates.
2	Control wiring conduit plates.
3	Optional exhaust hood.
4	Disconnect switch (SW2). Common DC input drives.
5	Optional HIM.
6	Recommended three-hole anchoring.



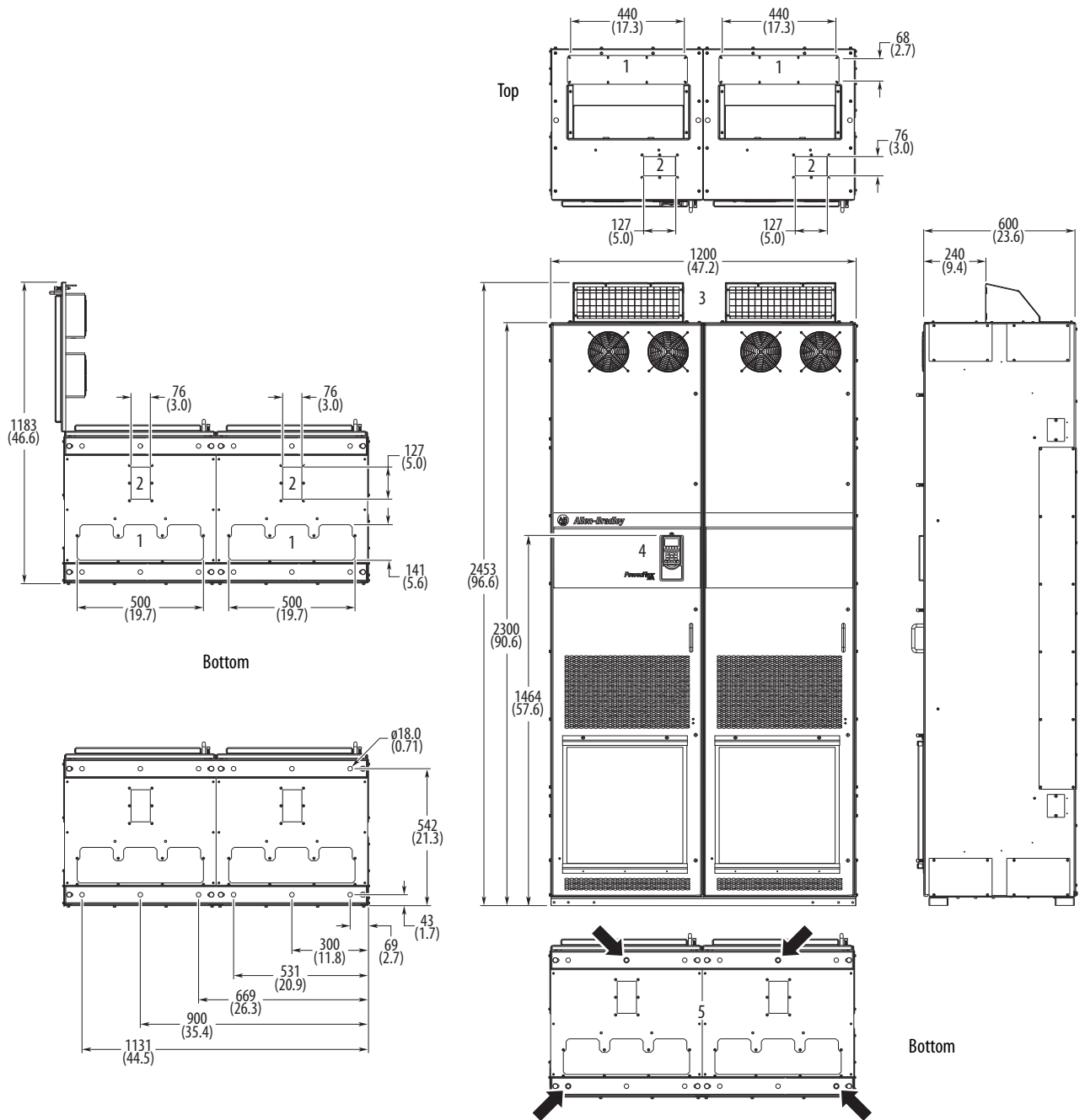
M12 (1/2 in.) Property Class 8.8 anchor hardware is recommended to fasten the drive cabinet through its internal mounting angle to the foundation. Anchor bolts can be pre-located and embedded in the foundation before installation.

**Figure 43 - IP54, NEMA 12, MCC Style Cabinet, Floor Mount Frame 8 (Enclosure Codes K and Y)
IP54, UL Type 12, MCC Style Cabinet, Floor Mount Frame 8 (Enclosure Code J)**



M12 (1/2 in.) Property Class 8.8 anchor hardware is recommended to fasten the drive cabinet through its internal mounting angle to the foundation. Anchor bolts can be pre-located and embedded in the foundation before installation.

Figure 44 - IP20, NEMA/UL Type 1, MCC Style Cabinet, Floor Mount Frame 9 (Enclosure Code B)



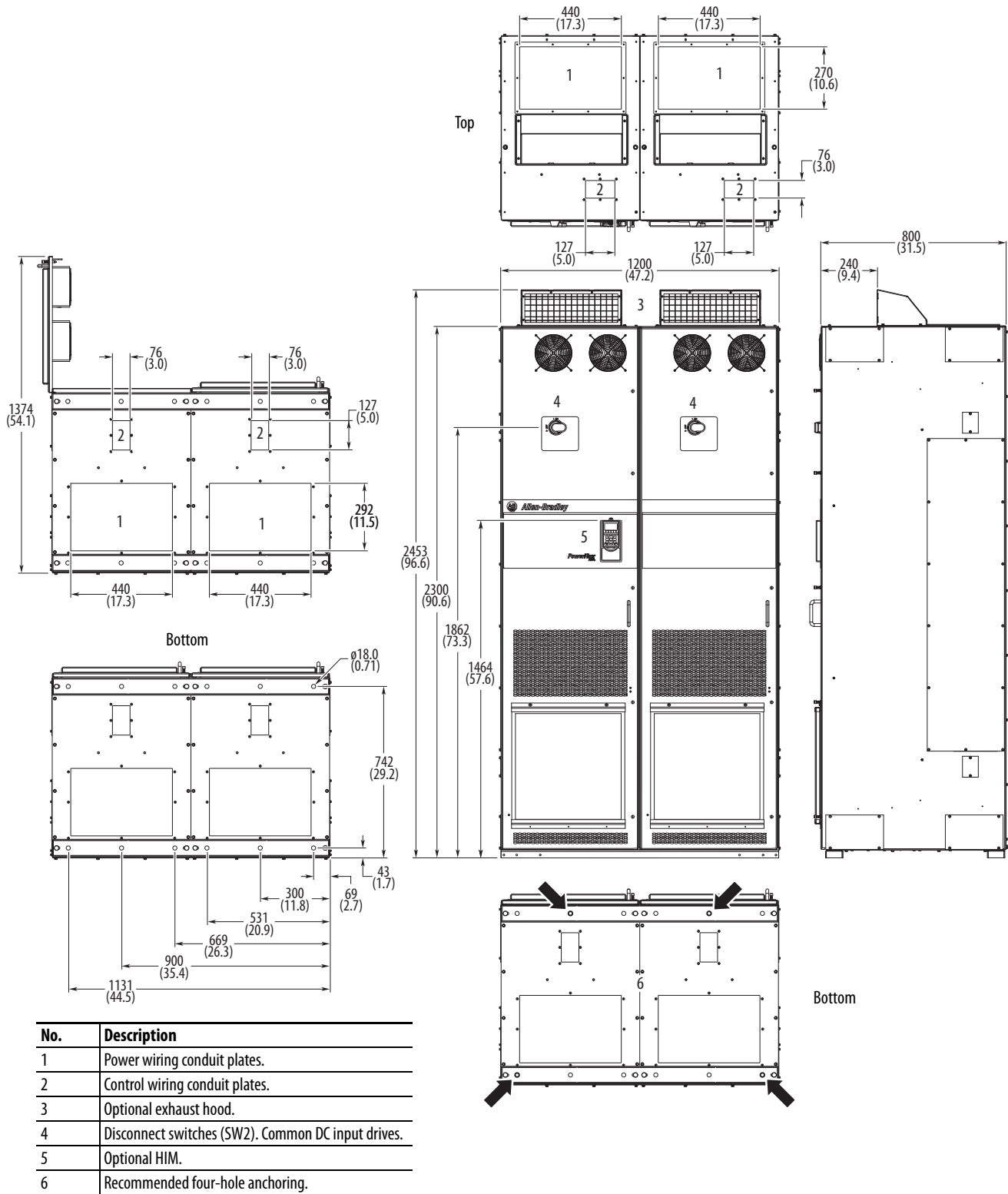
No.	Description
1	Power wiring conduit plates.
2	Control wiring conduit plates.
3	Optional exhaust hood.

No.	Description
4	Optional HIM.
5	Recommended four-hole anchoring.



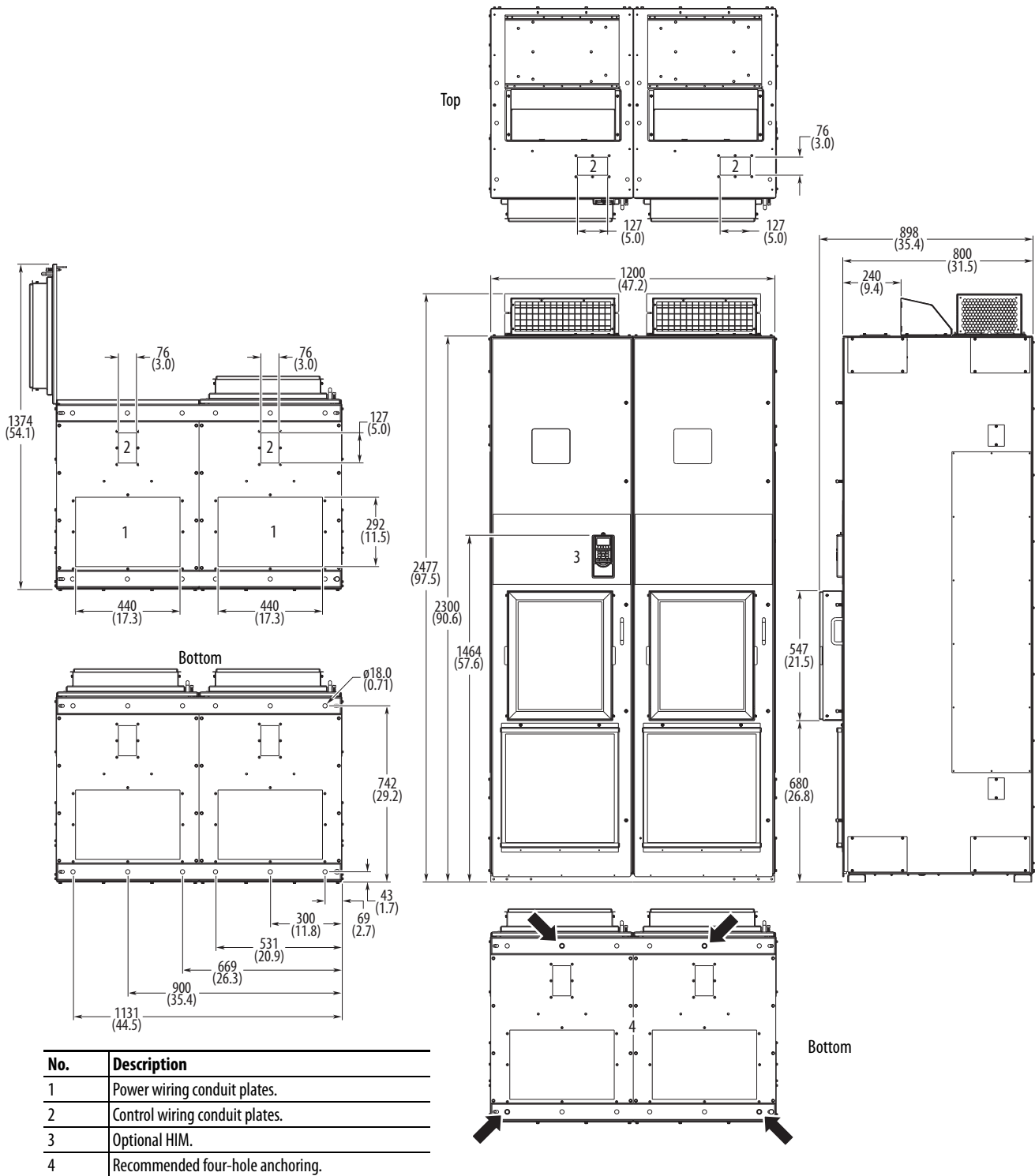
M12 (1/2 in.) Property Class 8.8 anchor hardware is recommended to fasten the drive cabinet through its internal mounting angle to the foundation. Anchor bolts can be pre-located and embedded in the foundation before installation.

Figure 45 - IP20, NEMA/UL Type 1, MCC Style Cabinet, Floor Mount Frame 9 (Enclosure Codes L, P, W)



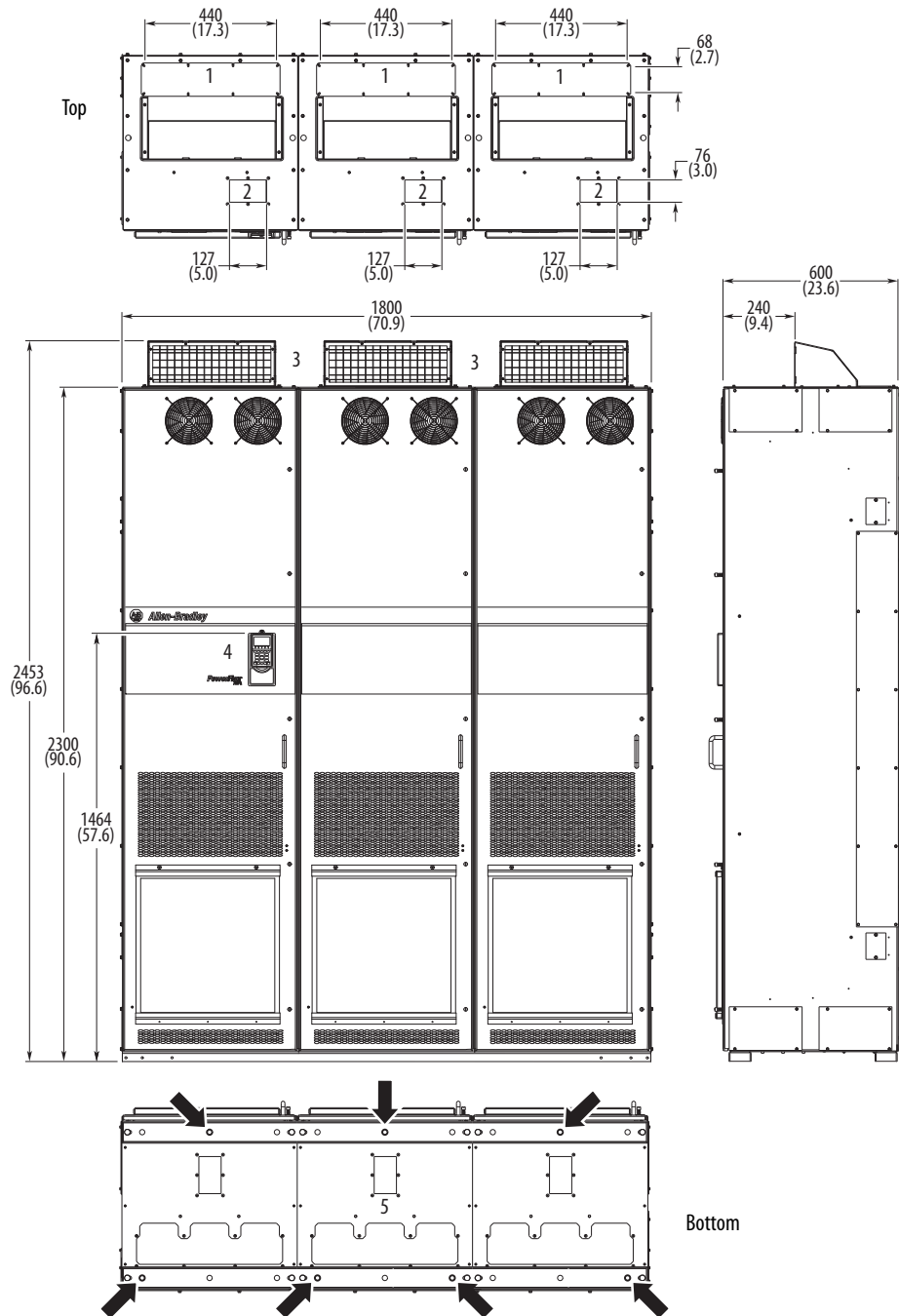
M12 (1/2 in.) Property Class 8.8 anchor hardware is recommended to fasten the drive cabinet through its internal mounting angle to the foundation. Anchor bolts can be pre-located and embedded in the foundation before installation.

**Figure 46 - IP54, NEMA 12, MCC Style Cabinet, Floor Mount Frame 9 (Enclosure Codes K and Y)
IP54, UL Type 12, MCC Style Cabinet, Floor Mount Frame 9 (Enclosure Code J)**



M12 (1/2 in.) Property Class 8.8 anchor hardware is recommended to fasten the drive cabinet through its internal mounting angle to the foundation. Anchor bolts can be pre-located and embedded in the foundation before installation.

Figure 47 - IP20, NEMA/UL Type 1, MCC Style Cabinet, Floor Mount Frame 10 (Enclosure Code B)



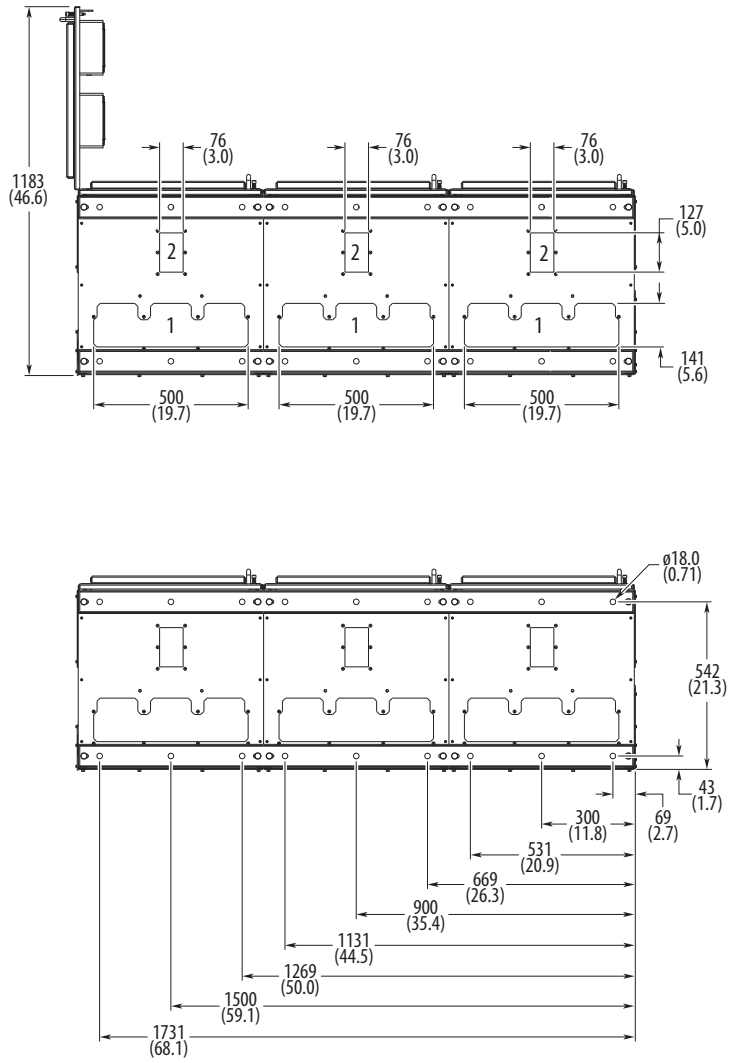
No.	Description
1	Power wiring conduit plates.
2	Control wiring conduit plates.
3	Optional exhaust hood.

No.	Description
4	Optional HIM.
5	Recommended seven-hole anchoring.



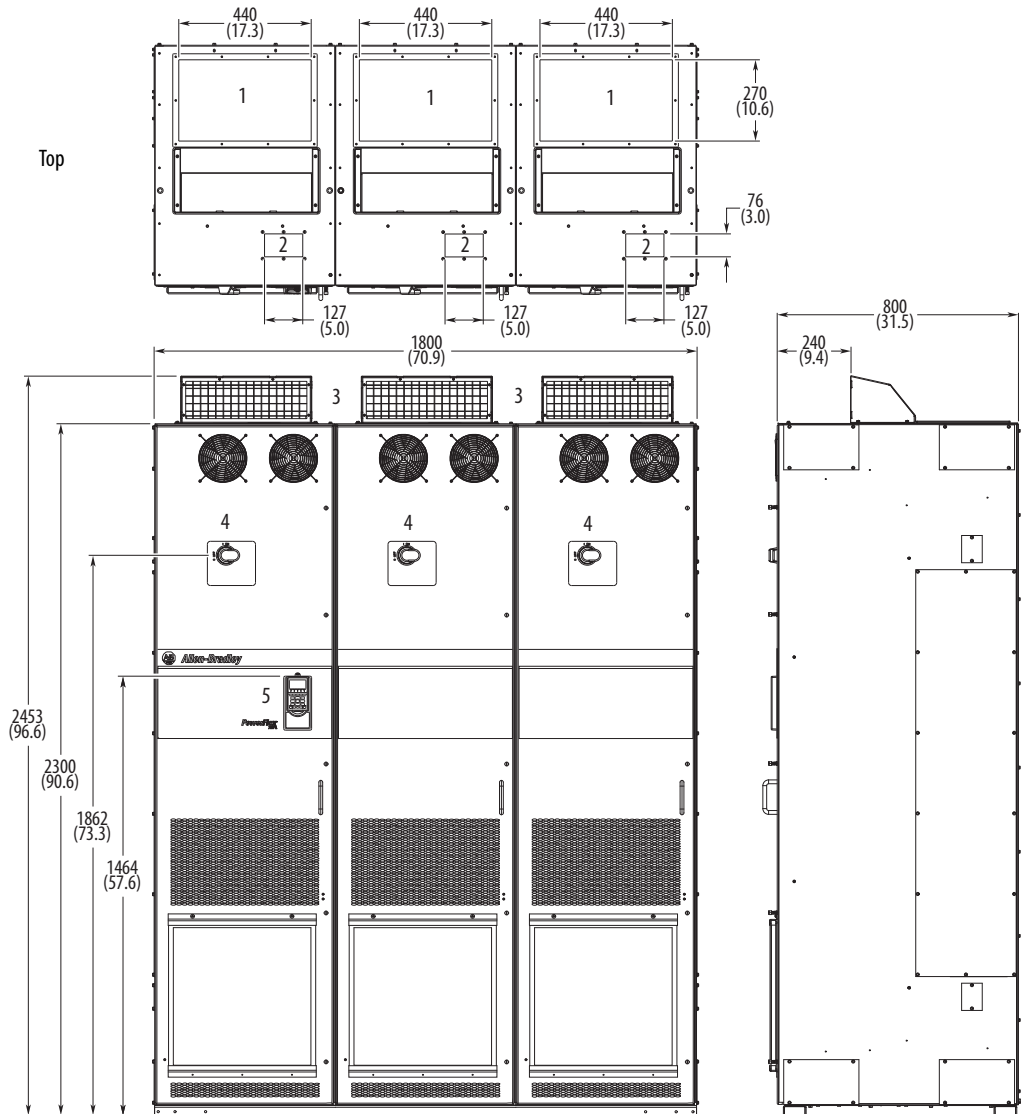
M12 (1/2 in.) Property Class 8.8 anchor hardware is recommended to fasten the drive cabinet through its internal mounting angle to the foundation. Anchor bolts can be pre-located and embedded in the foundation before installation.

Figure 48 - IP20, NEMA/UL Type 1, MCC Style Cabinet, Floor Mount Frame 10 Bottom Access (Enclosure Code B)

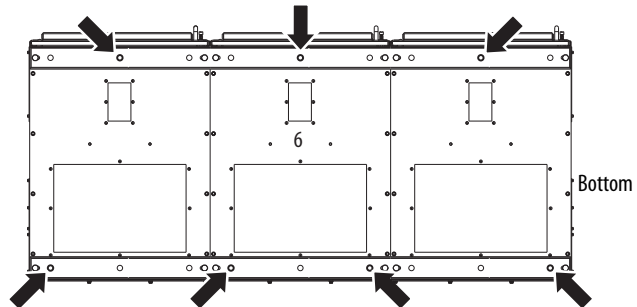


No.	Description
1	Power wiring conduit plates.
2	Control wiring conduit plates.

Figure 49 - IP20, NEMA/UL Type 1, MCC Style Cabinet, Floor Mount Frame 10 (Enclosure Codes L, P, W)

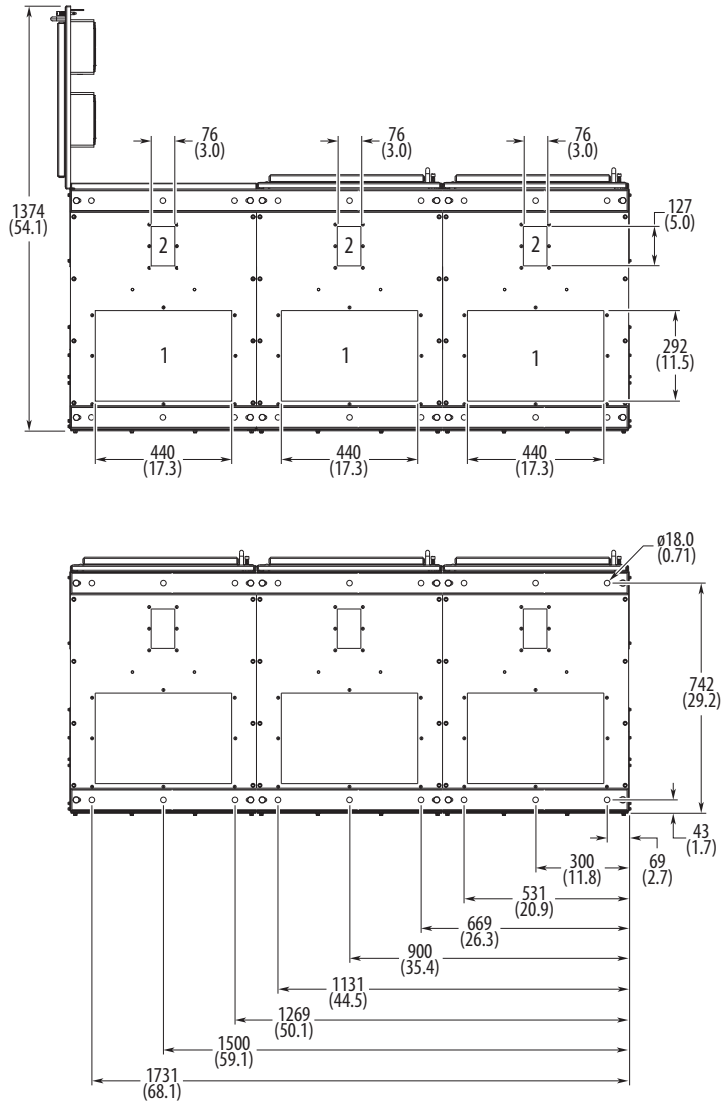


No.	Description
1	Power wiring conduit plates.
2	Control wiring conduit plates.
3	Optional exhaust hood.
4	Disconnect switches (SW2). Common DC input drives.
5	Optional HIM.
6	Recommended seven-hole anchoring.



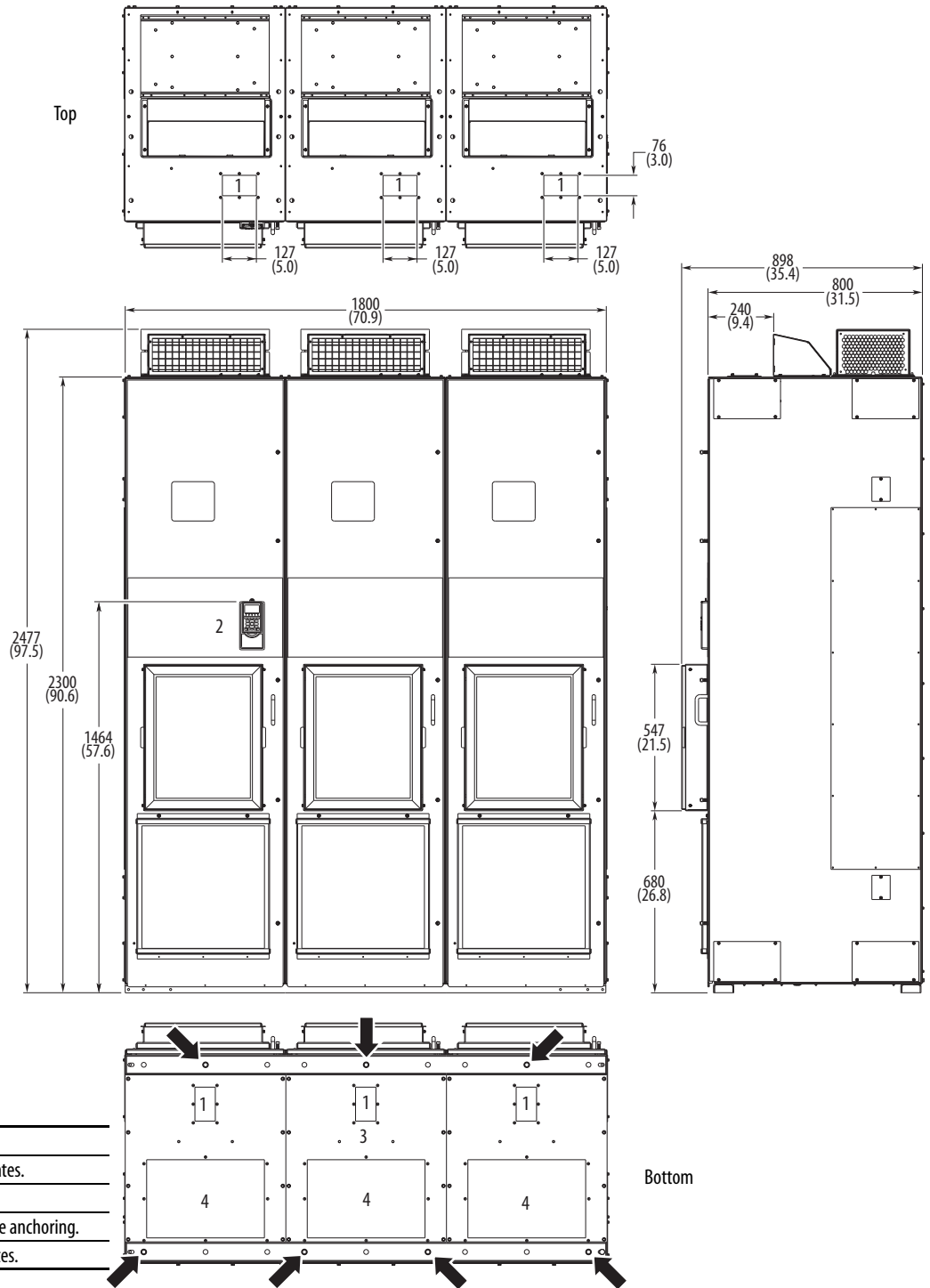
M12 (1/2 in.) Property Class 8.8 anchor hardware is recommended to fasten the drive cabinet through its internal mounting angle to the foundation. Anchor bolts can be pre-located and embedded in the foundation before installation.

Figure 50 - IP20, NEMA/UL Type 1, MCC Style Cabinet, Floor Mount Frame 10 Bottom Access (Enclosure Codes L, P, W)



No.	Description
1	Power wiring conduit plates.
2	Control wiring conduit plates.

**Figure 51 - IP54, NEMA 12, MCC Style Cabinet, Floor Mount Frame 10 (Enclosure Codes K and Y)
IP54, UL Type 12, MCC Style Cabinet, Floor Mount Frame 10 (Enclosure Code J)**

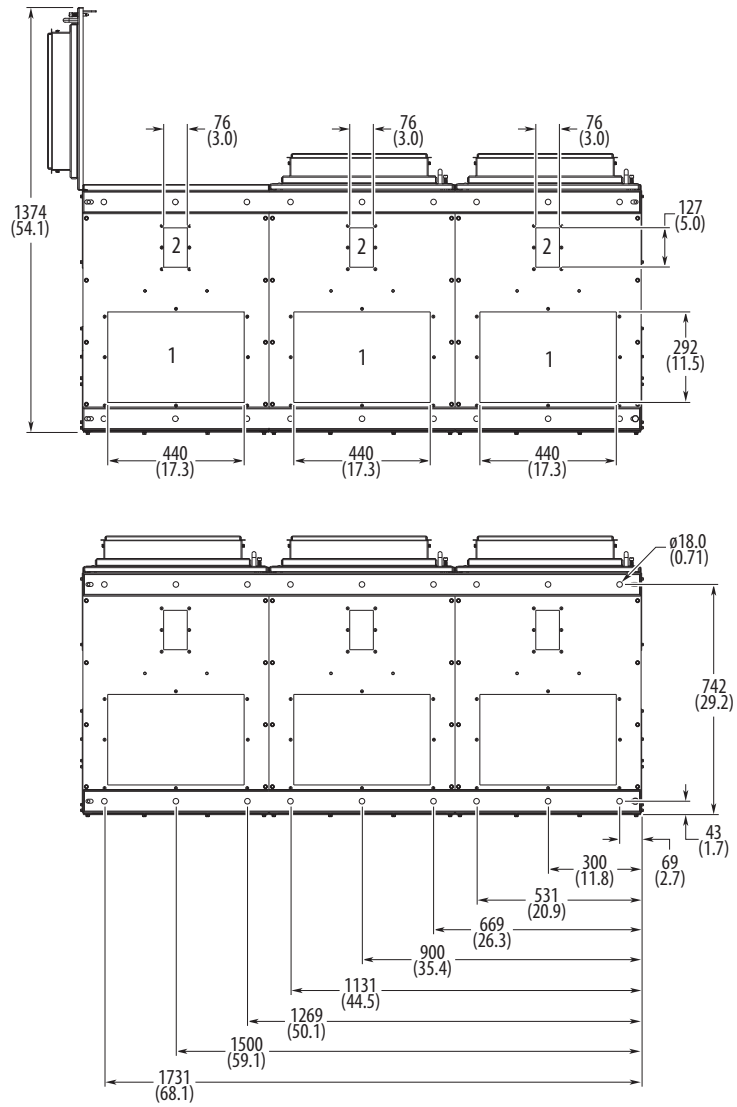


No.	Description
1	Control wiring conduit plates.
2	Optional HIM.
3	Recommended seven-hole anchoring.
4	Power wiring conduit plates.



M12 (1/2 in.) Property Class 8.8 anchor hardware is recommended to fasten the drive cabinet through its internal mounting angle to the foundation. Anchor bolts can be pre-located and embedded in the foundation before instillation.

Figure 52 - IP54, NEMA 12, MCC Style Cabinet, Floor Mount Frame 10 Bottom Access (Enclosure Codes K and Y)
IP54, UL Type 12, MCC Style Cabinet, Floor Mount Frame 10 Bottom Access (Enclosure Code J)



No.	Description
1	Power wiring conduit plates.
2	Control wiring conduit plates.

Approximate Dimensions – Floor Mount Drives with Cabinet Options

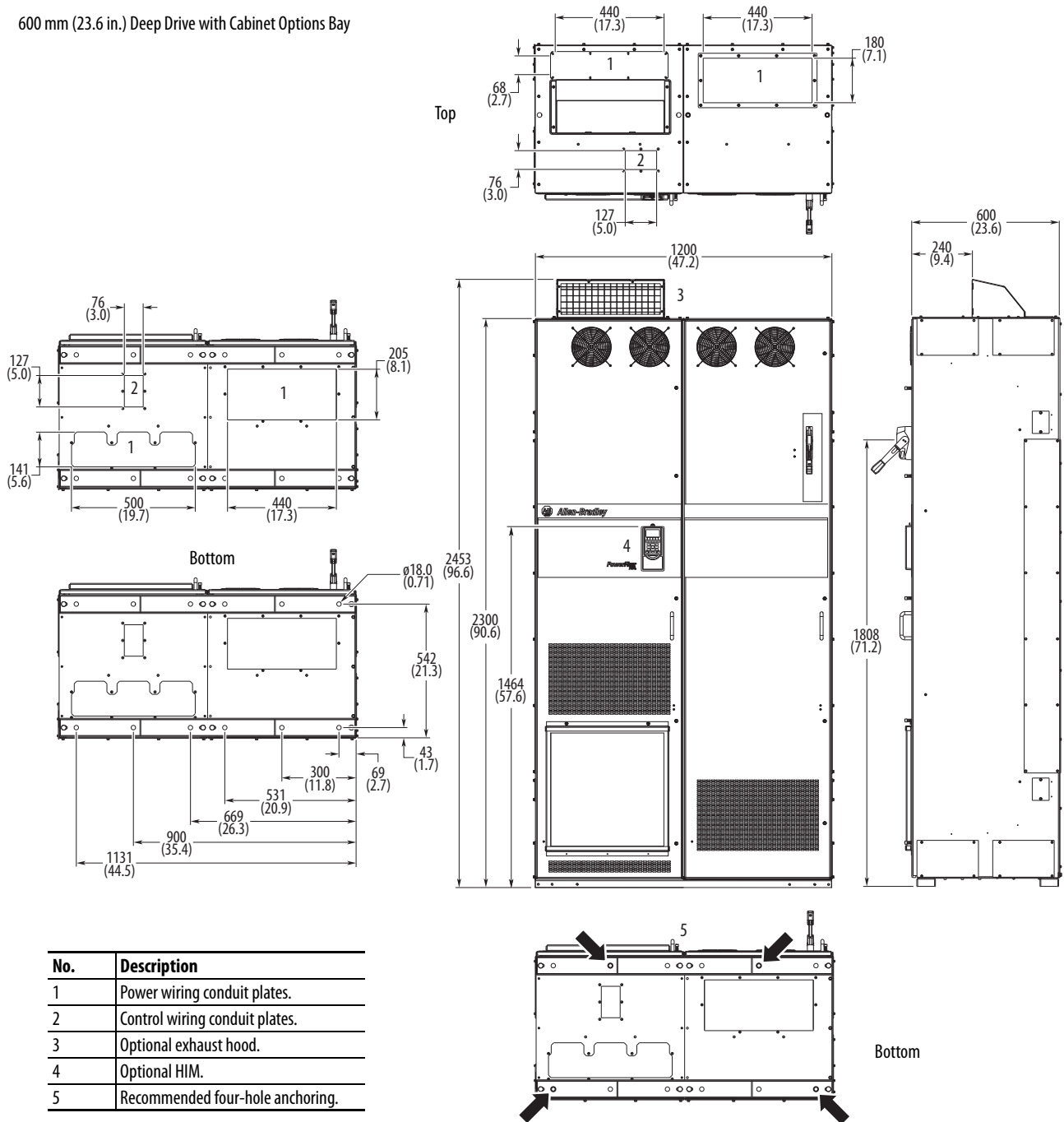
See [Table 10](#) for an index of dimension drawings for floor mount drives with cabinet options.

Table 10 - Dimension Drawing Index

Frame	Description	Page
8	IP20, NEMA/UL Type 1, MCC style cabinet with cabinet options bay, 600 mm (23.6 in.) deep	91
	IP20, NEMA/UL Type 1, MCC style cabinet with wiring bay, 600 mm (23.6 in.) deep	92
	IP20, NEMA/UL Type 1, MCC style cabinet with wiring bay and cabinet options bay, 600 mm (23.6 in.) deep	93
	IP20, NEMA/UL Type 1, MCC style cabinet with wiring bay and cabinet options bay, 600 mm (23.6 in.) deep, bottom access	94
	IP20, NEMA/UL Type 1, MCC style cabinet with cabinet options bay, 800 mm (31.5 in.) deep	95
	IP20, NEMA/UL Type 1, MCC style cabinet with wiring bay, 800 mm (31.5 in.) deep	96
	IP20, NEMA/UL Type 1, MCC style cabinet with wiring bay and cabinet options bay, 800 mm (31.5 in.) deep	97
	IP20, NEMA/UL Type 1, MCC style cabinet with wiring bay and cabinet options bay, 800 mm (31.5 in.) deep, bottom access	98
	IP54, NEMA 12/UL Type 12, MCC style cabinet with cabinet options bay, 800 mm (31.5 in.) deep	99
	IP54, NEMA 12/UL Type 12, MCC style cabinet with cabinet options bay, 800 mm (31.5 in.) deep, bottom access	100
	IP54, NEMA 12/UL Type 12, MCC style cabinet with wiring bay, 800 mm (31.5 in.) deep	101
	IP54, NEMA 12/UL Type 12, MCC style cabinet with wiring bay, 800 mm (31.5 in.) deep, bottom access	102
	IP54, NEMA 12/UL Type 12, MCC style cabinet with wiring bay and cabinet options bay, 800 mm (31.5 in.) deep	103
	IP54, NEMA 12/UL Type 12, MCC style cabinet with wiring bay and cabinet options bay, 800 mm (31.5 in.) deep, bottom access	104
9	IP20, NEMA/UL Type 1, MCC style cabinet with cabinet options bay, 600 mm (23.6 in.) deep	105
	IP20, NEMA/UL Type 1, MCC style cabinet with cabinet options bay, 600 mm (23.6 in.) deep, bottom access	106
	IP20, NEMA/UL Type 1, MCC style cabinet with wiring bay, 600 mm (23.6 in.) deep	107
	IP20, NEMA/UL Type 1, MCC style cabinet with wiring bay, 600 mm (23.6 in.) deep, bottom access	108
	IP20, NEMA/UL Type 1, MCC style cabinet with cabinet options bay and wiring bay, 600 mm (23.6 in.) deep	109
	IP20, NEMA/UL Type 1, MCC style cabinet with cabinet options bay and wiring bay, 600 mm (23.6 in.) deep, bottom access	110
	IP20, NEMA/UL Type 1, MCC style cabinet with cabinet options bay, 800 mm (31.5 in.) deep	111
	IP20, NEMA/UL Type 1, MCC style cabinet with cabinet options bay, 800 mm (31.5 in.) deep, bottom access	112
	IP20, NEMA/UL Type 1, MCC style cabinet with wiring bay, 800 mm (31.5 in.) deep	113
	IP20, NEMA/UL Type 1, MCC style cabinet with wiring bay, 800 mm (31.5 in.) deep, bottom access	114
	IP20, NEMA/UL Type 1, MCC style cabinet with cabinet options bay and wiring bay, 800 mm (31.5 in.) deep	115
	IP20, NEMA/UL Type 1, MCC style cabinet with cabinet options bay and wiring bay, 800 mm (31.5 in.) deep, bottom access	116
	IP54, NEMA 12/UL Type 12, MCC style cabinet with cabinet options bay, 800 mm (31.5 in.) deep	117
	IP54, NEMA 12/UL Type 12, MCC style cabinet with cabinet options bay, 800 mm (31.5 in.) deep, bottom access	118
	IP54, NEMA 12/UL Type 12, MCC style cabinet with wiring bay, 800 mm (31.5 in.) deep	119
	IP54, NEMA 12/UL Type 12, MCC style cabinet with wiring bay, 800 mm (31.5 in.) deep, bottom access	120
	IP54, NEMA 12/UL Type 12, MCC style cabinet with cabinet options bay and wiring bay, 800 mm (31.5 in.) deep	121
	IP54, NEMA 12/UL Type 12, MCC style cabinet with cabinet options bay and wiring bay, 800 mm (31.5 in.) deep, bottom access	122

Figure 53 - IP20, NEMA/UL Type 1, MCC Style Cabinet, Floor Mount Frame 8 (Enclosure Code B)

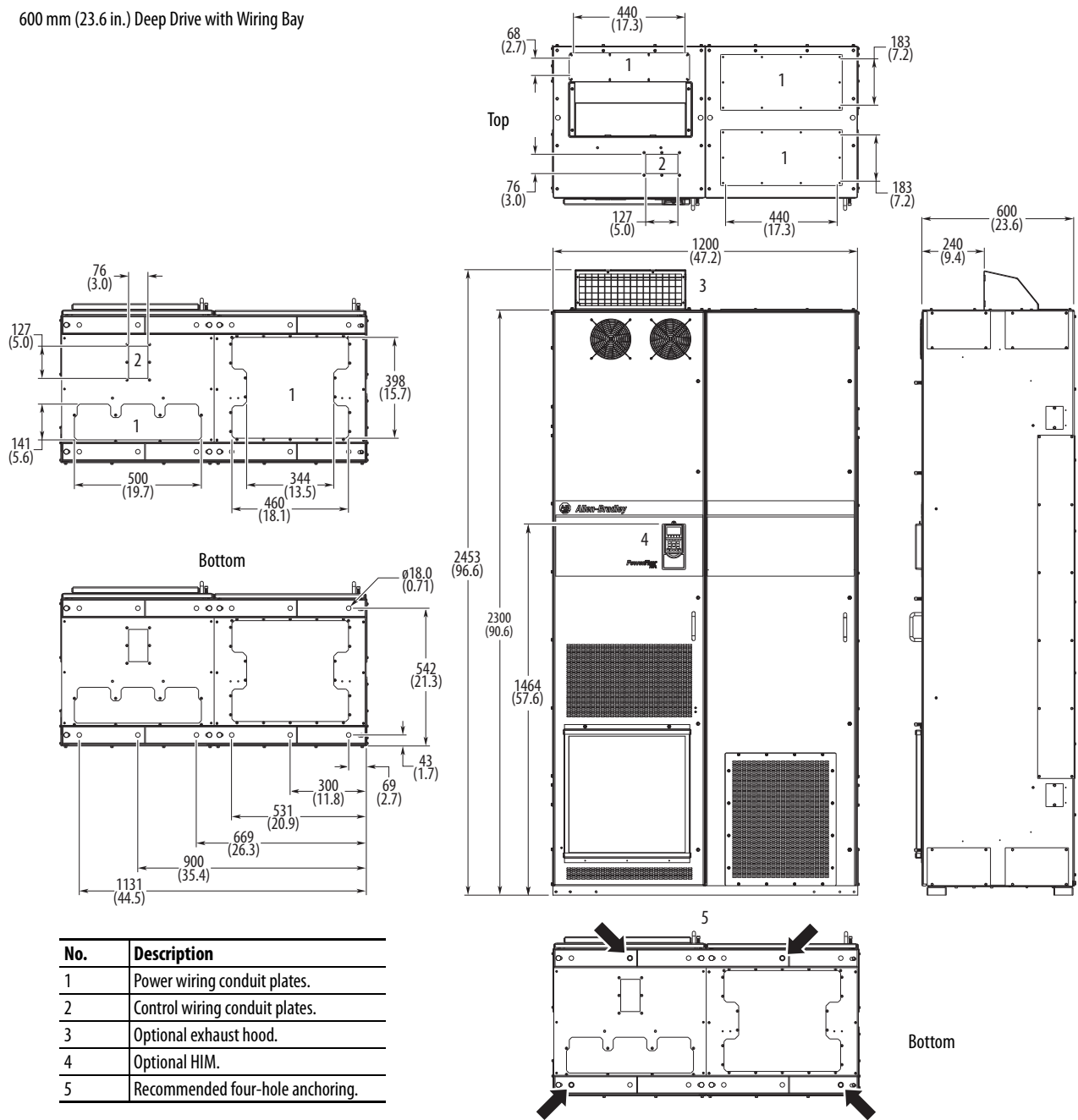
600 mm (23.6 in.) Deep Drive with Cabinet Options Bay



M12 (1/2 in.) Property Class 8.8 anchor hardware is recommended to fasten the drive cabinet through its internal mounting angle to the foundation. Anchor bolts can be pre-located and embedded in the foundation before installation.

Figure 54 - IP20, NEMA/UL Type 1, MCC Style Cabinet, Floor Mount Frame 8 (Enclosure Code B with P14)

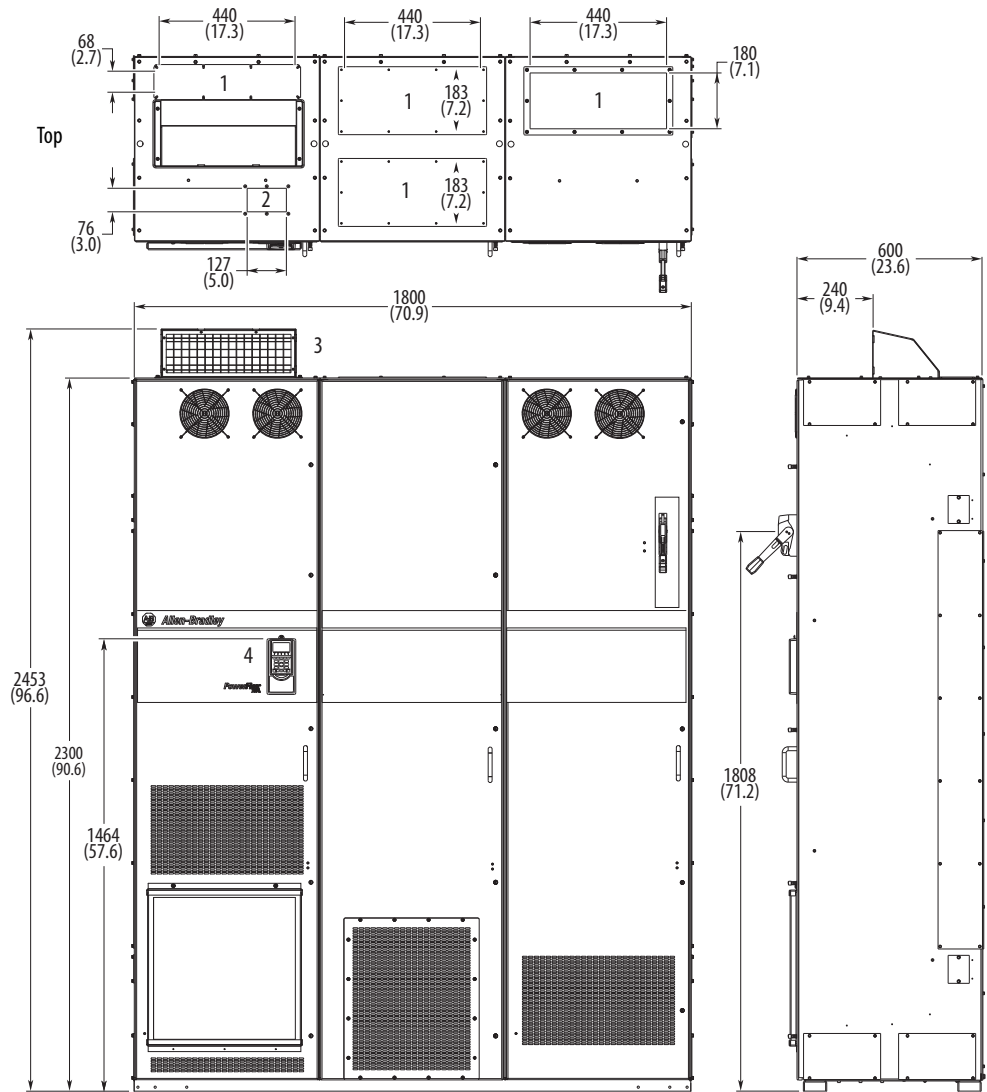
600 mm (23.6 in.) Deep Drive with Wiring Bay



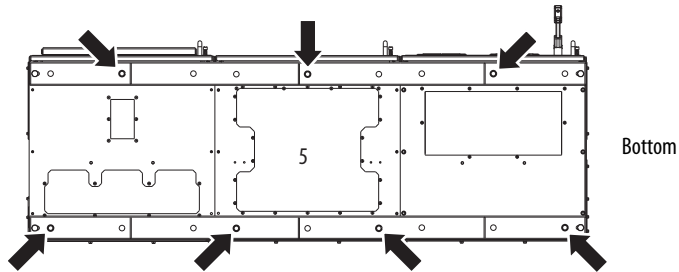
M12 (1/2 in.) Property Class 8.8 anchor hardware is recommended to fasten the drive cabinet through its internal mounting angle to the foundation. Anchor bolts can be pre-located and embedded in the foundation before installation.

Figure 55 - IP20, NEMA/UL Type 1, MCC Style Cabinet, Floor Mount Frame 8 (Enclosure Code B)

600 mm (23.6 in.) Deep Drive with Wiring Bay and Cabinet Options Bay



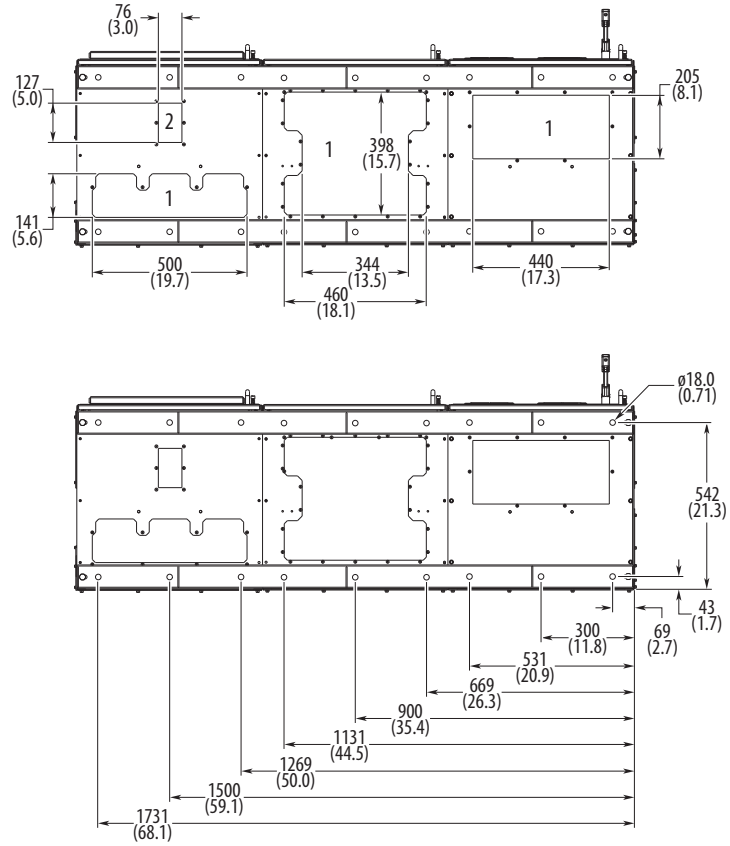
No.	Description
1	Power wiring conduit plates.
2	Control wiring conduit plates.
3	Optional exhaust hood.
4	Optional HIM.
5	Recommended seven-hole anchoring.



M12 (1/2 in.) Property Class 8.8 anchor hardware is recommended to fasten the drive cabinet through its internal mounting angle to the foundation. Anchor bolts can be pre-located and embedded in the foundation before installation.

Figure 56 - IP20, NEMA/UL Type 1, MCC Style Cabinet, Floor Mount Frame 8 Bottom Access (Enclosure Code B)

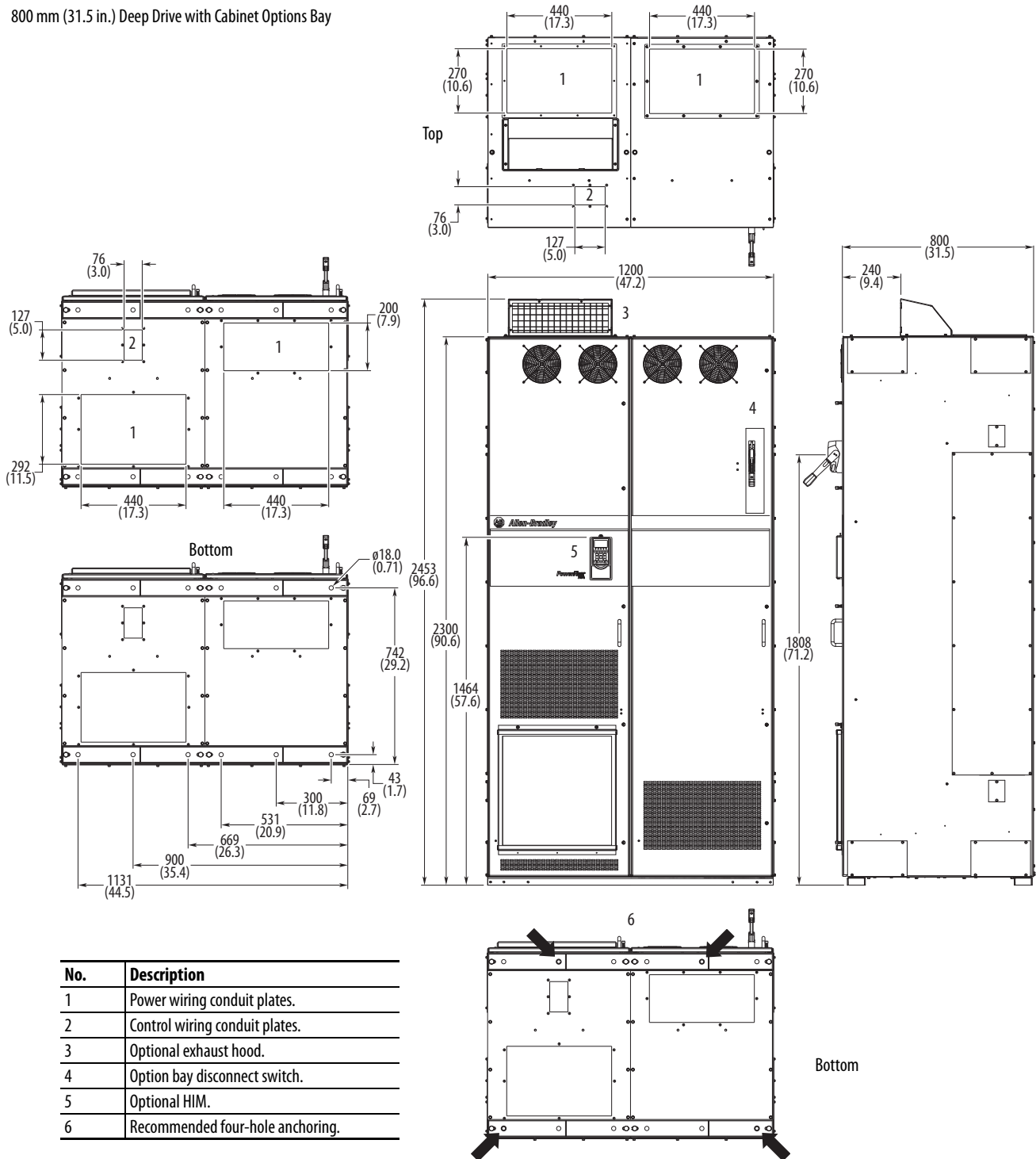
600 mm (23.6 in.) Deep Drive with Wiring Bay and Cabinet Options Bay



No.	Description
1	Power wiring conduit plates.
2	Control wiring conduit plates.

Figure 57 - IP20, NEMA/UL Type 1, MCC Style Cabinet, Floor Mount Frame 8 (Enclosure Code L, P, W)

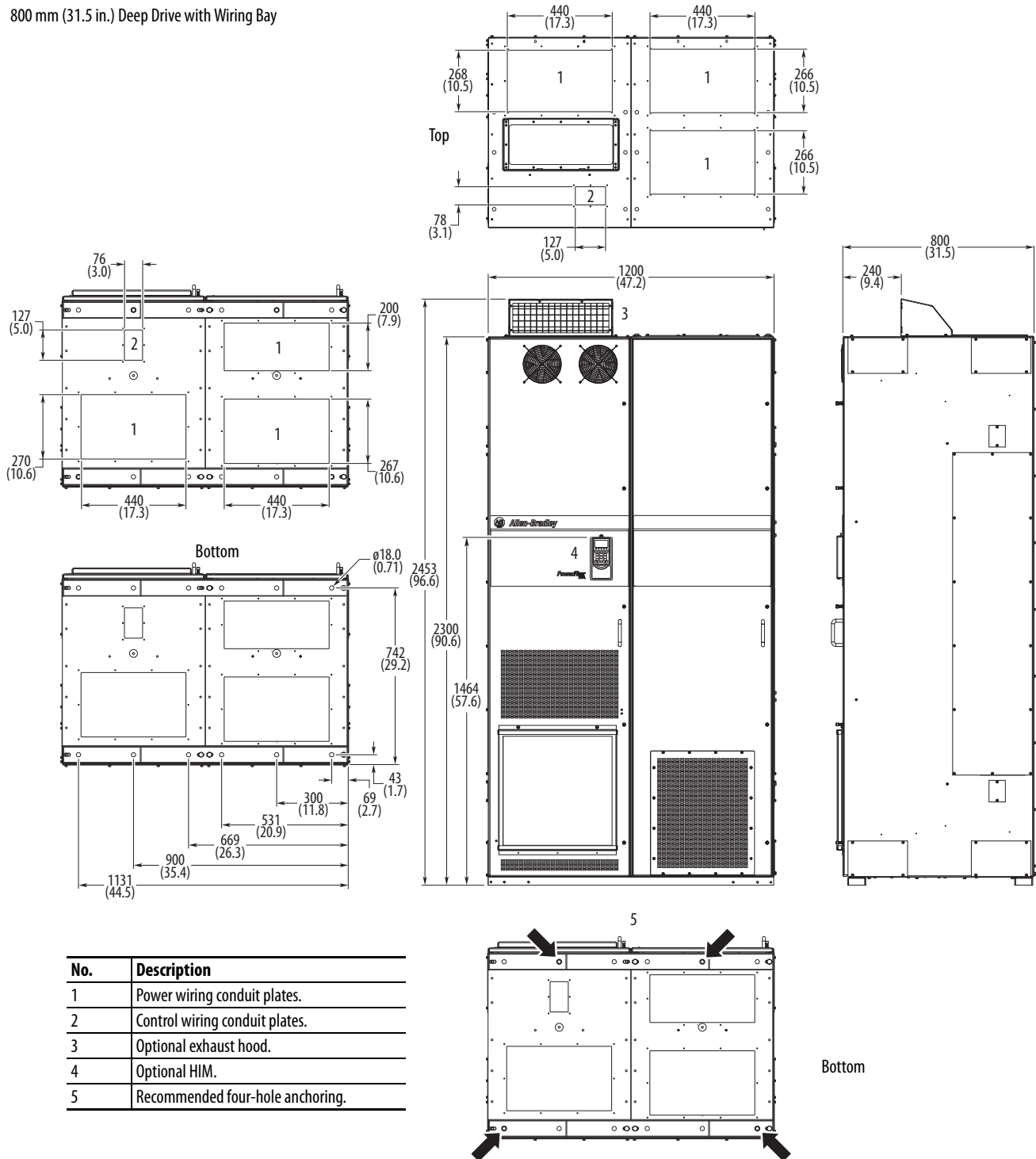
800 mm (31.5 in.) Deep Drive with Cabinet Options Bay



M12 (1/2 in.) Property Class 8.8 anchor hardware is recommended to fasten the drive cabinet through its internal mounting angle to the foundation. Anchor bolts can be pre-located and embedded in the foundation before installation.

Figure 58 - IP20, NEMA/UL Type 1, MCC Style Cabinet, Floor Mount Frame 8 (Enclosure Code L, P, W)

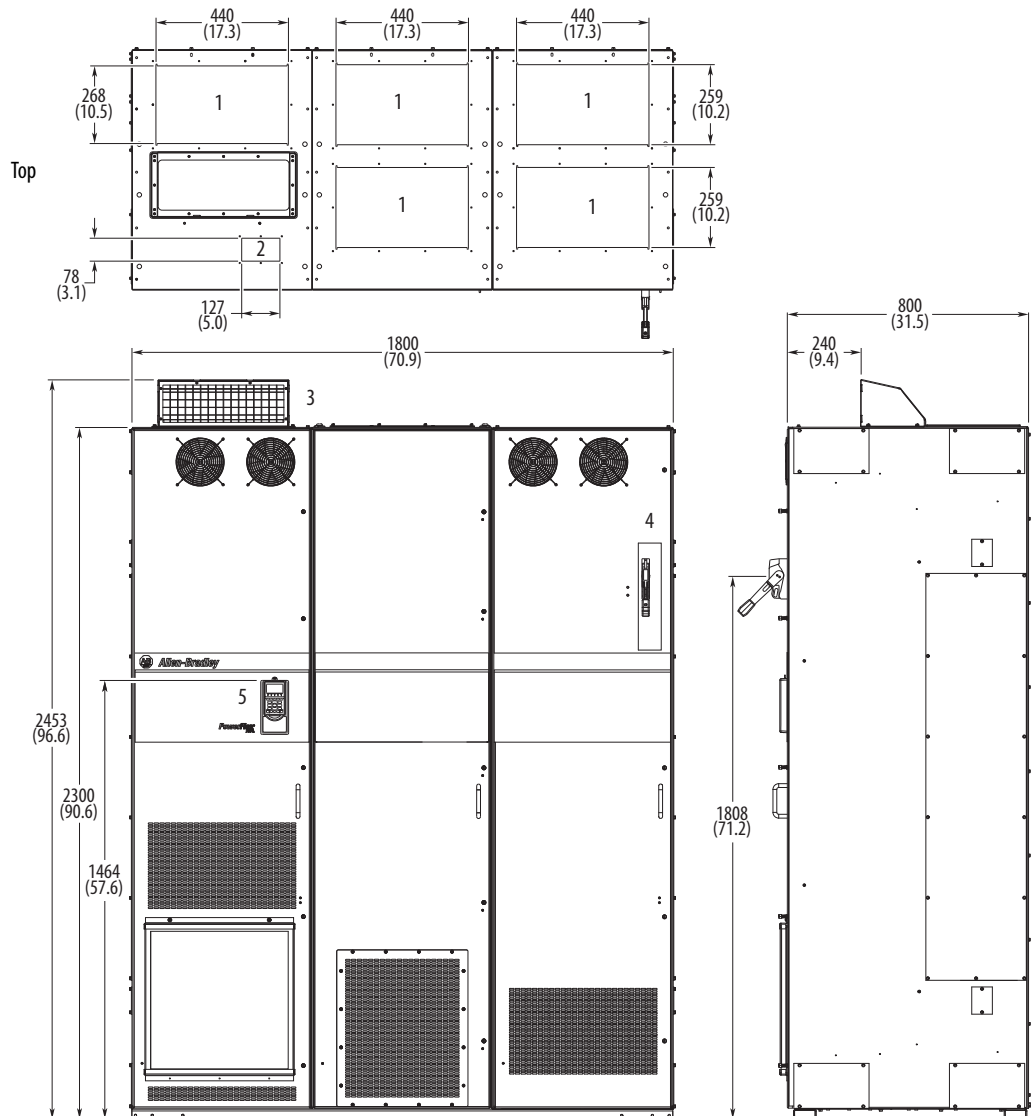
800 mm (31.5 in.) Deep Drive with Wiring Bay



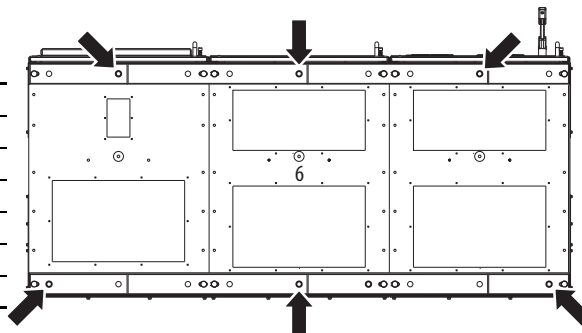
M12 (1/2 in.) Property Class 8.8 anchor hardware is recommended to fasten the drive cabinet through its internal mounting angle to the foundation. Anchor bolts can be pre-located and embedded in the foundation before instillation.

Figure 59 - IP20, NEMA/UL Type 1, MCC Style Cabinet, Floor Mount Frame 8 (Enclosure Code L, P, W)

800 mm (31.5 in.) Deep Drive with Wiring Bay and Cabinet Options Bay



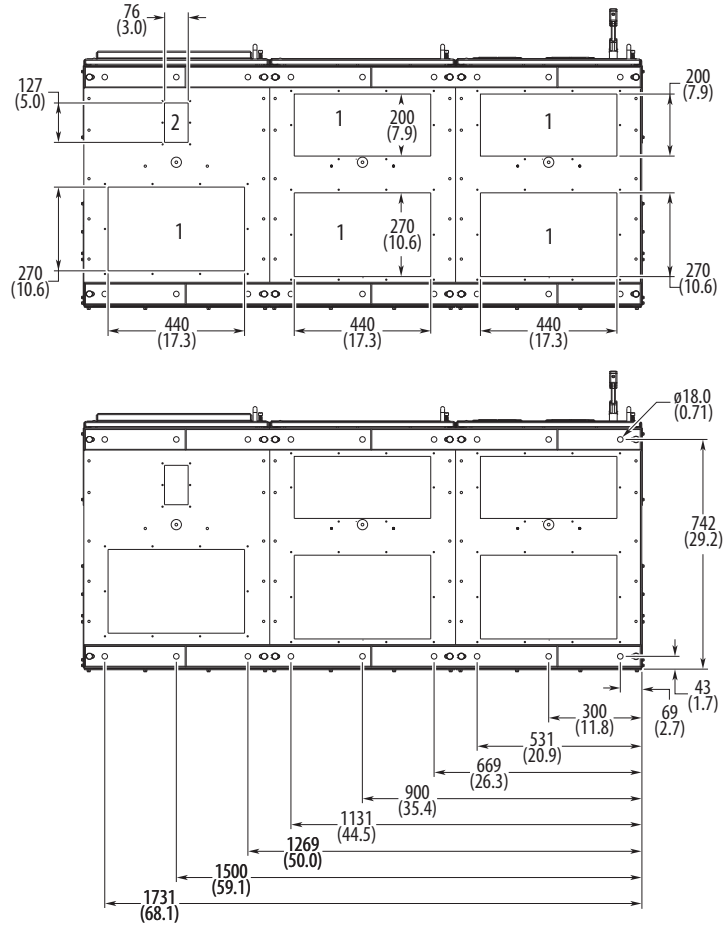
No.	Description
1	Power wiring conduit plates.
2	Control wiring conduit plates.
3	Optional exhaust hood.
4	Option bay disconnect switch.
5	Optional HIM.
6	Recommended six-hole anchoring.



M12 (1/2 in.) Property Class 8.8 anchor hardware is recommended to fasten the drive cabinet through its internal mounting angle to the foundation. Anchor bolts can be pre-located and embedded in the foundation before installation.

Figure 60 - IP20, NEMA/UL Type 1, MCC Style Cabinet, Floor Mount Frame 8 Bottom Access (Enclosure Code L, P, W)

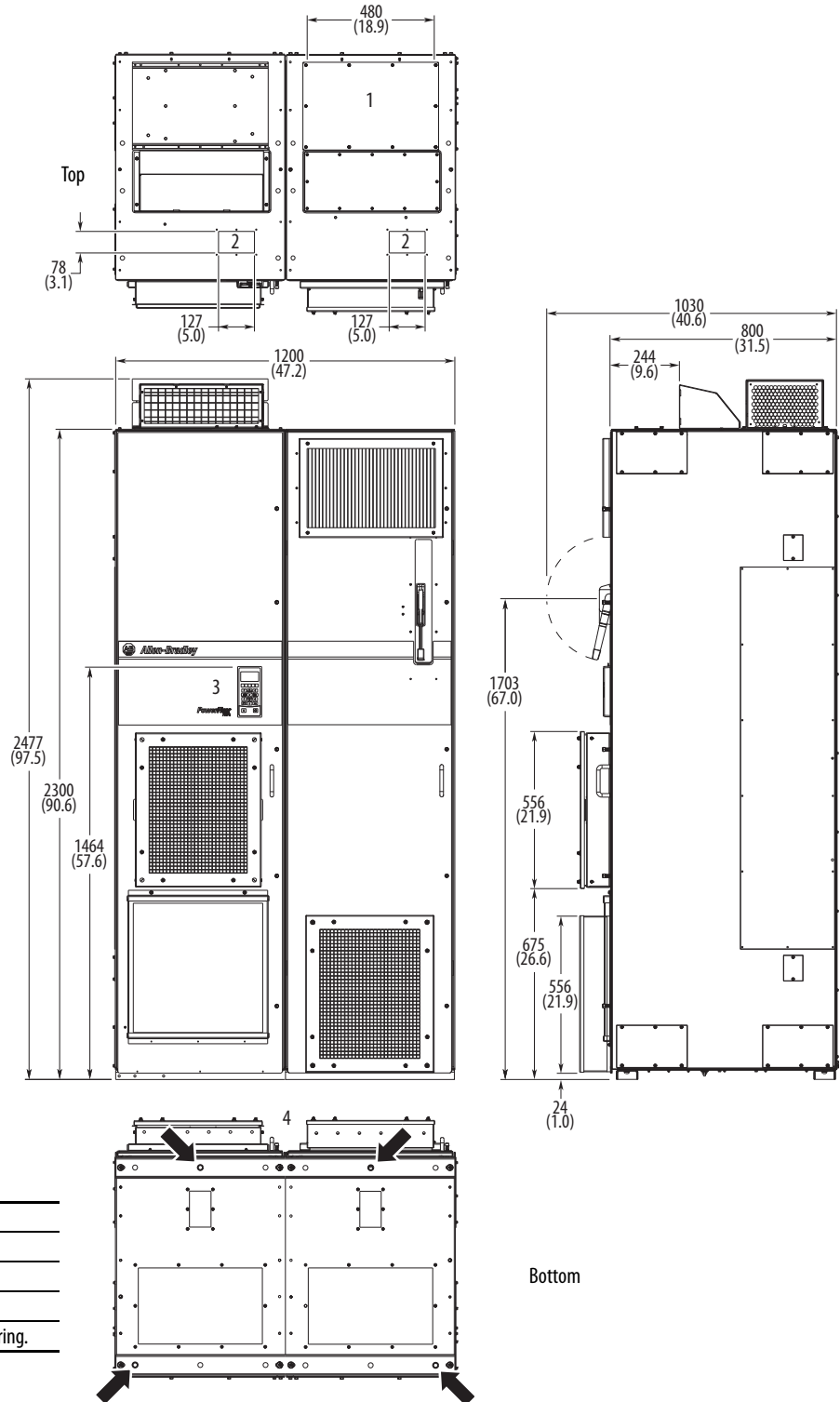
800 mm (31.5 in.) Deep Drive with Wiring Bay and Cabinet Options Bay



No.	Description
1	Power wiring conduit plates.
2	Control wiring conduit plates.

**Figure 61 - IP54, NEMA 12, MCC Style Cabinet, Floor Mount Frame 8 (Enclosure Codes K and Y)
IP54, UL Type 12, MCC Style Cabinet, Floor Mount Frame 8 (Enclosure Code J)**

800 mm (31.5 in.) Deep Drive with Cabinet
Options Bay



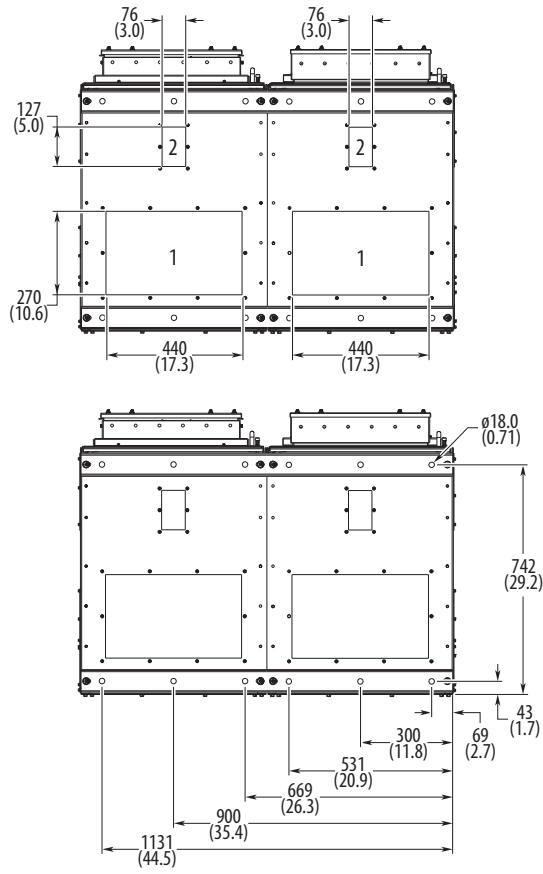
No.	Description
1	Power wiring conduit plates.
2	Control wiring conduit plates.
3	Optional HIM.
4	Recommended four-hole anchoring.



M12 (1/2 in.) Property Class 8.8 anchor hardware is recommended to fasten the drive cabinet through its internal mounting angle to the foundation. Anchor bolts can be pre-located and embedded in the foundation before installation.

Figure 62 - IP54, NEMA 12, MCC Style Cabinet, Floor Mount Frame 8 Bottom Access (Enclosure Codes K and Y)
IP54, UL Type 12, MCC Style Cabinet, Floor Mount Frame 8 Bottom Access (Enclosure Code J)

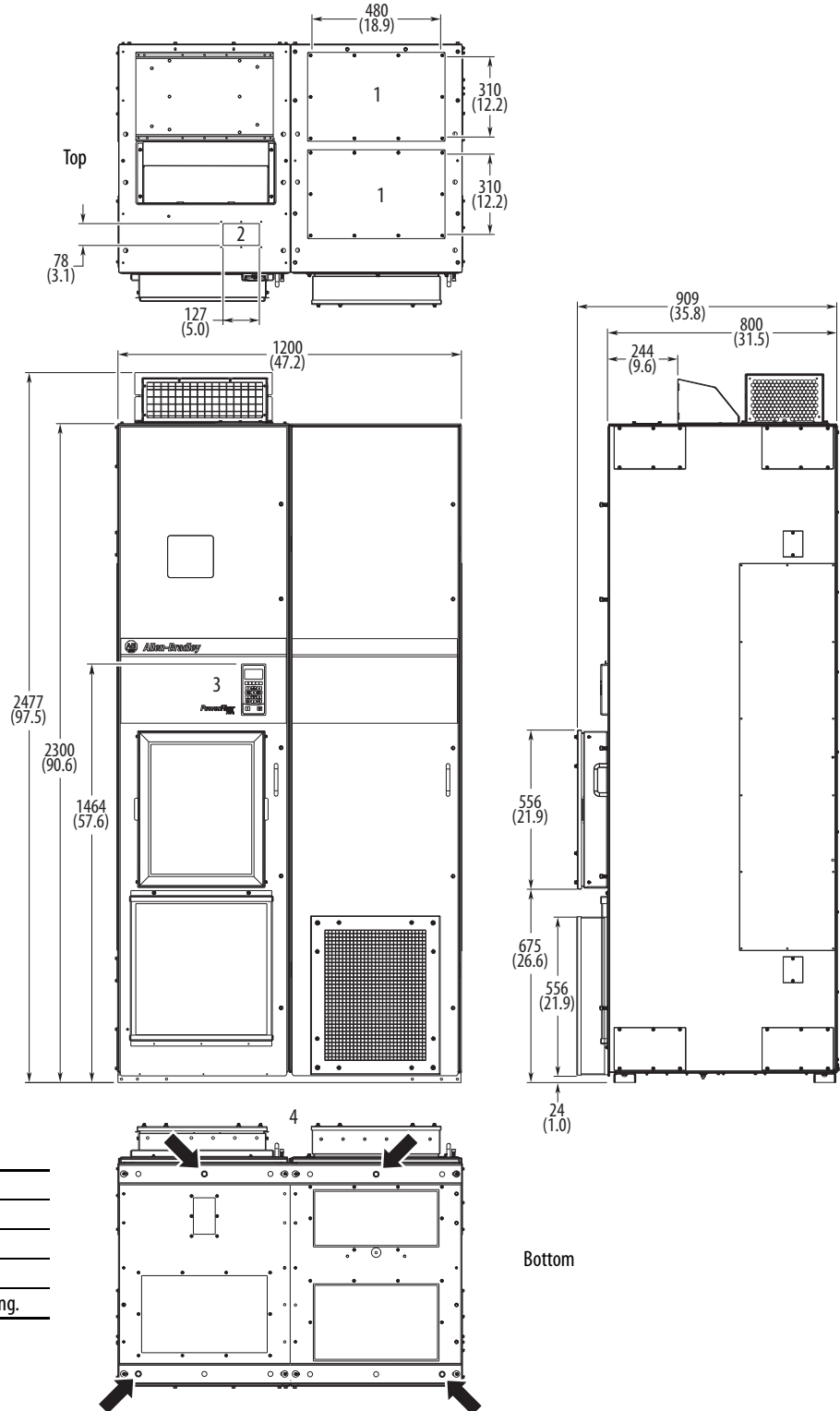
800 mm (31.5 in.) Deep Drive with Cabinet Options Bay



No.	Description
1	Power wiring conduit plates.
2	Control wiring conduit plates.

**Figure 63 - IP54, NEMA 12, MCC Style Cabinet, Floor Mount Frame 8 (Enclosure Codes K and Y)
IP54, UL Type 12, MCC Style Cabinet, Floor Mount Frame 8 (Enclosure Code J) with P14**

800 mm (31.5 in.) Deep Drive with Wiring Bay



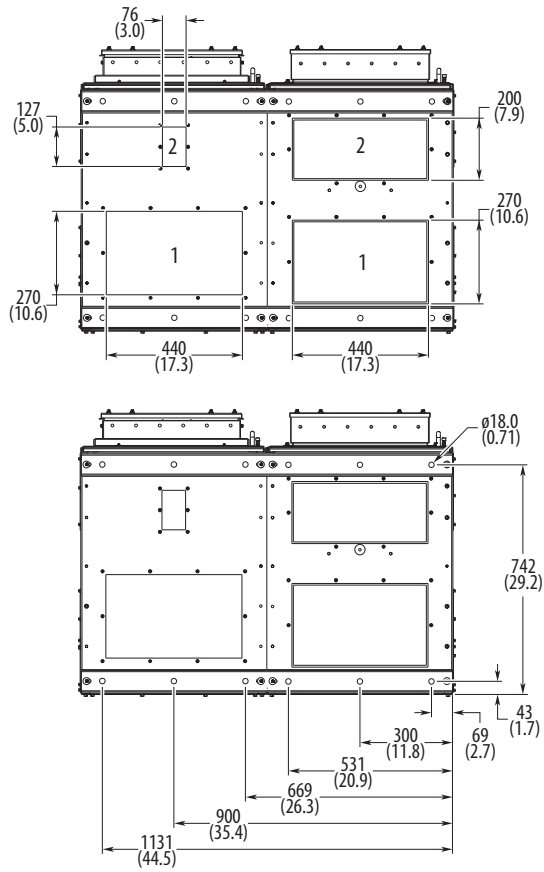
No.	Description
1	Power wiring conduit plates.
2	Control wiring conduit plates.
3	Optional HIM.
4	Recommended four-hole anchoring.



M12 (1/2 in.) Property Class 8.8 anchor hardware is recommended to fasten the drive cabinet through its internal mounting angle to the foundation. Anchor bolts can be pre-located and embedded in the foundation before installation.

**Figure 64 - IP54, NEMA 12, MCC Style Cabinet, Floor Mount Frame 8 Bottom Access (Enclosure Codes K and Y)
IP54, UL Type 12, MCC Style Cabinet, Floor Mount Frame 8 Bottom Access (Enclosure Code J) with P14**

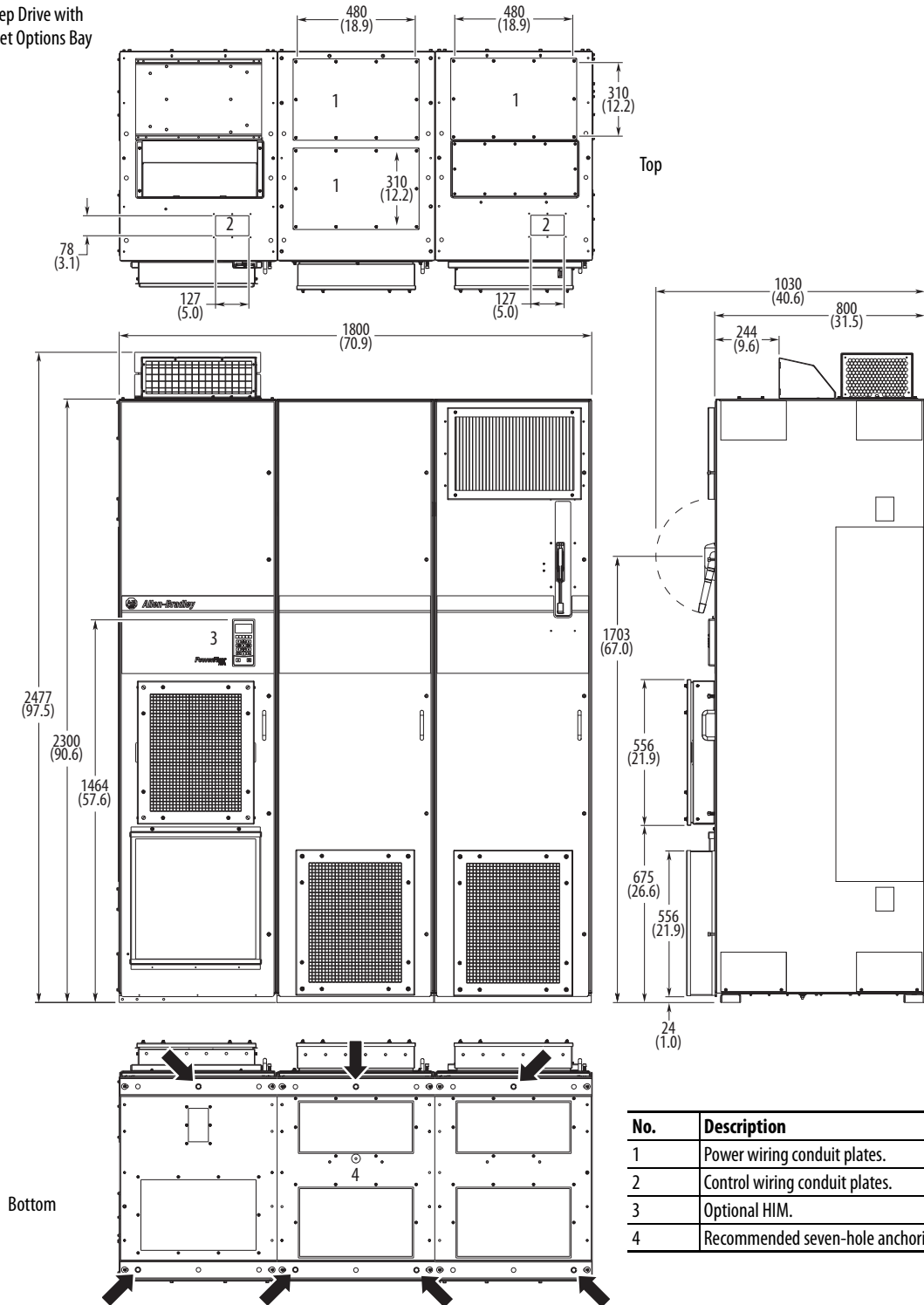
800 mm (31.5 in.) Deep Drive with Wiring Bay



No.	Description
1	Power wiring conduit plates.
2	Control wiring conduit plates.

**Figure 65 - IP54, NEMA 12, MCC Style Cabinet, Floor Mount Frame 8 (Enclosure Codes K and Y)
IP54, UL Type 12, MCC Style Cabinet, Floor Mount Frame 8 (Enclosure Code J)**

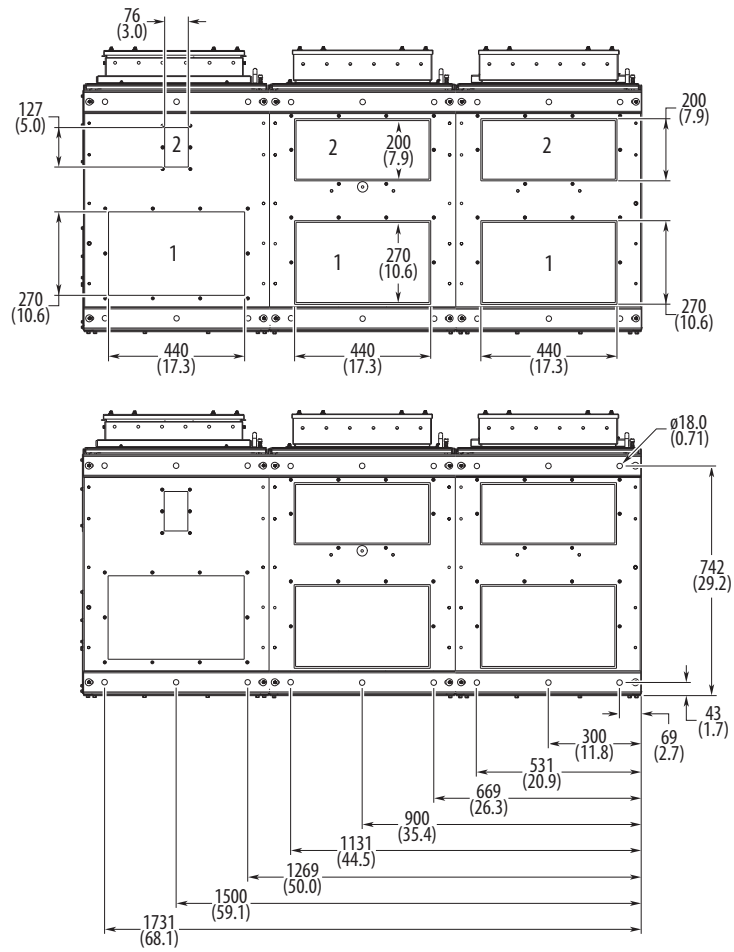
800 mm (31.5 in.) Deep Drive with Wiring Bay and Cabinet Options Bay



M12 (1/2 in.) Property Class 8.8 anchor hardware is recommended to fasten the drive cabinet through its internal mounting angle to the foundation. Anchor bolts can be pre-located and embedded in the foundation before installation.

**Figure 66 - IP54, NEMA 12, MCC Style Cabinet, Floor Mount Frame 8 Bottom Access
(Enclosure Codes K and Y)
IP54, UL Type 12, MCC Style Cabinet, Floor Mount Frame 8 Bottom Access
(Enclosure Code J)**

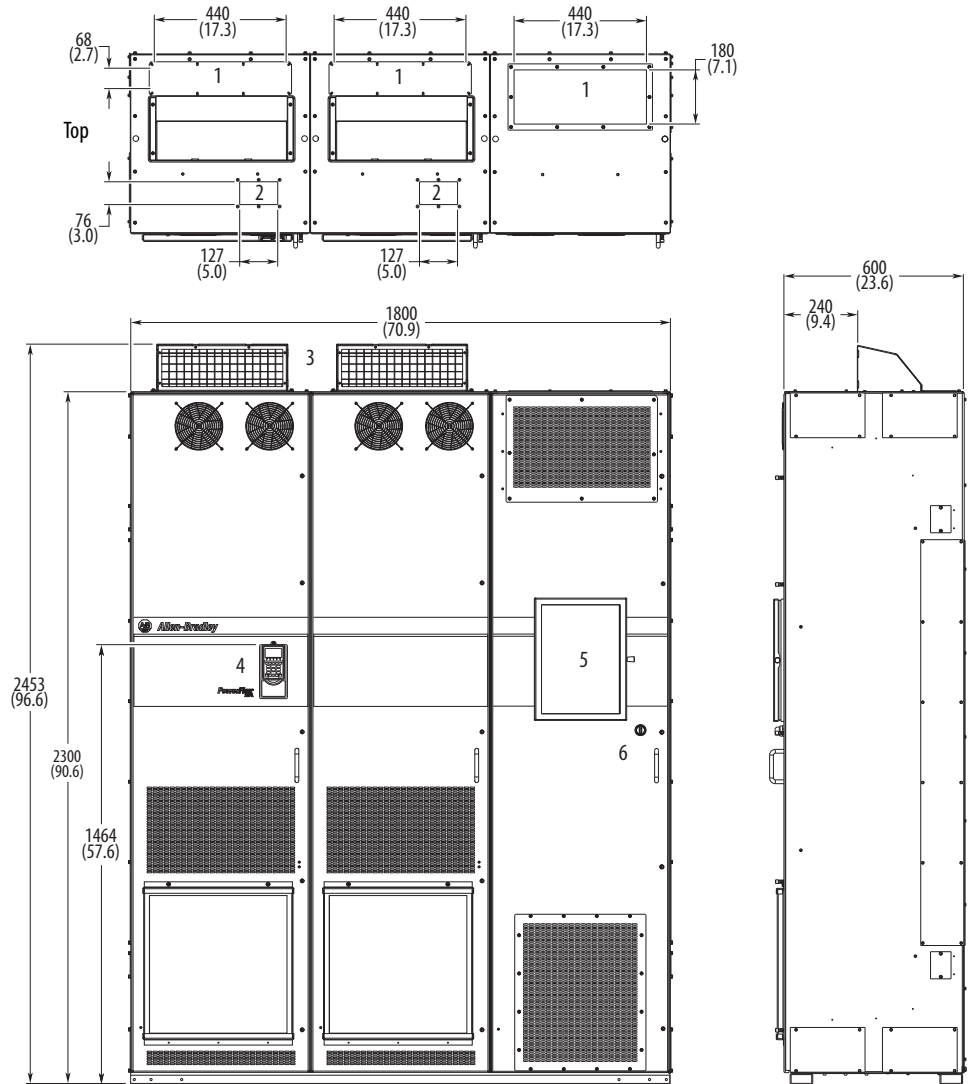
800 mm (31.5 in.) Deep Drive with Wiring
Bay and Cabinet Options Bay



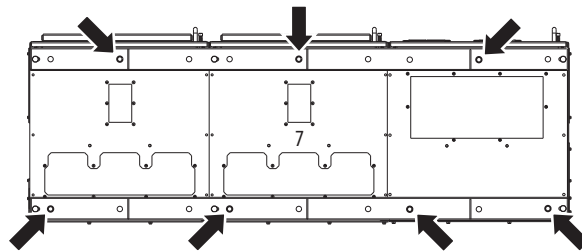
No.	Description
1	Power wiring conduit plates.
2	Control wiring conduit plates.

Figure 67 - IP20, NEMA/UL Type 1, MCC Style Cabinet, Floor Mount Frame 9 (Enclosure Code B with P14)

600 mm (23.6 in.) Deep Drive with Cabinet Options Bay



No.	Description
1	Power wiring conduit plates.
2	Control wiring conduit plates.
3	Optional exhaust hood.
4	Optional HIM.
5	Option bay disconnect switch access door.
6	Interlock override switch. For instructions and precautions see the Hardware Service Manual, 750-TG001 .
7	Recommended seven-hole anchoring.



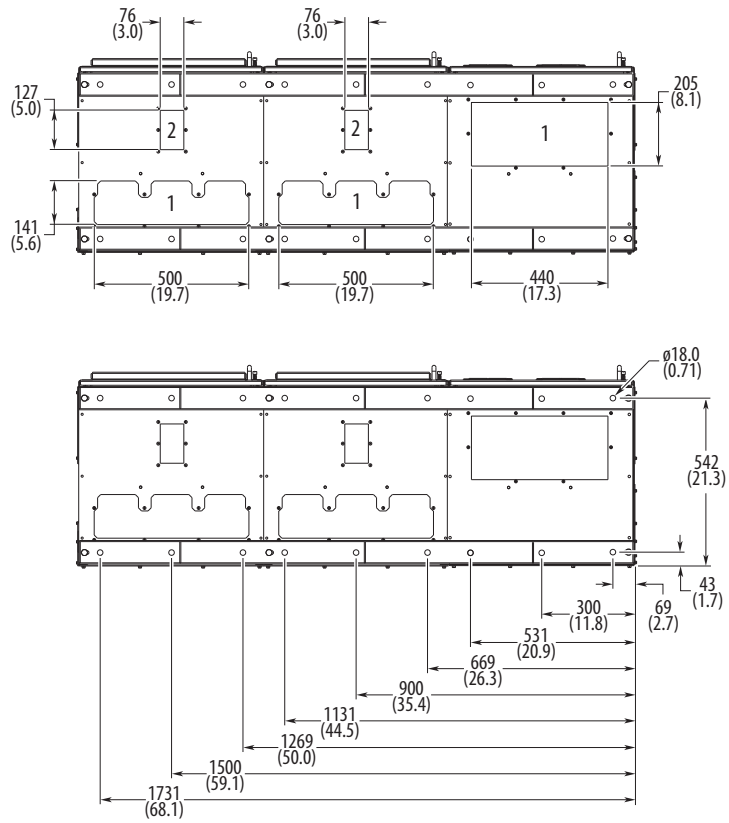
Bottom



M12 (1/2 in.) Property Class 8.8 anchor hardware is recommended to fasten the drive cabinet through its internal mounting angle to the foundation. Anchor bolts can be pre-located and embedded in the foundation before installation.

Figure 68 - IP20, NEMA/UL Type 1, MCC Style Cabinet, Floor Mount Frame 9 Bottom Access (Enclosure Code B with P14)

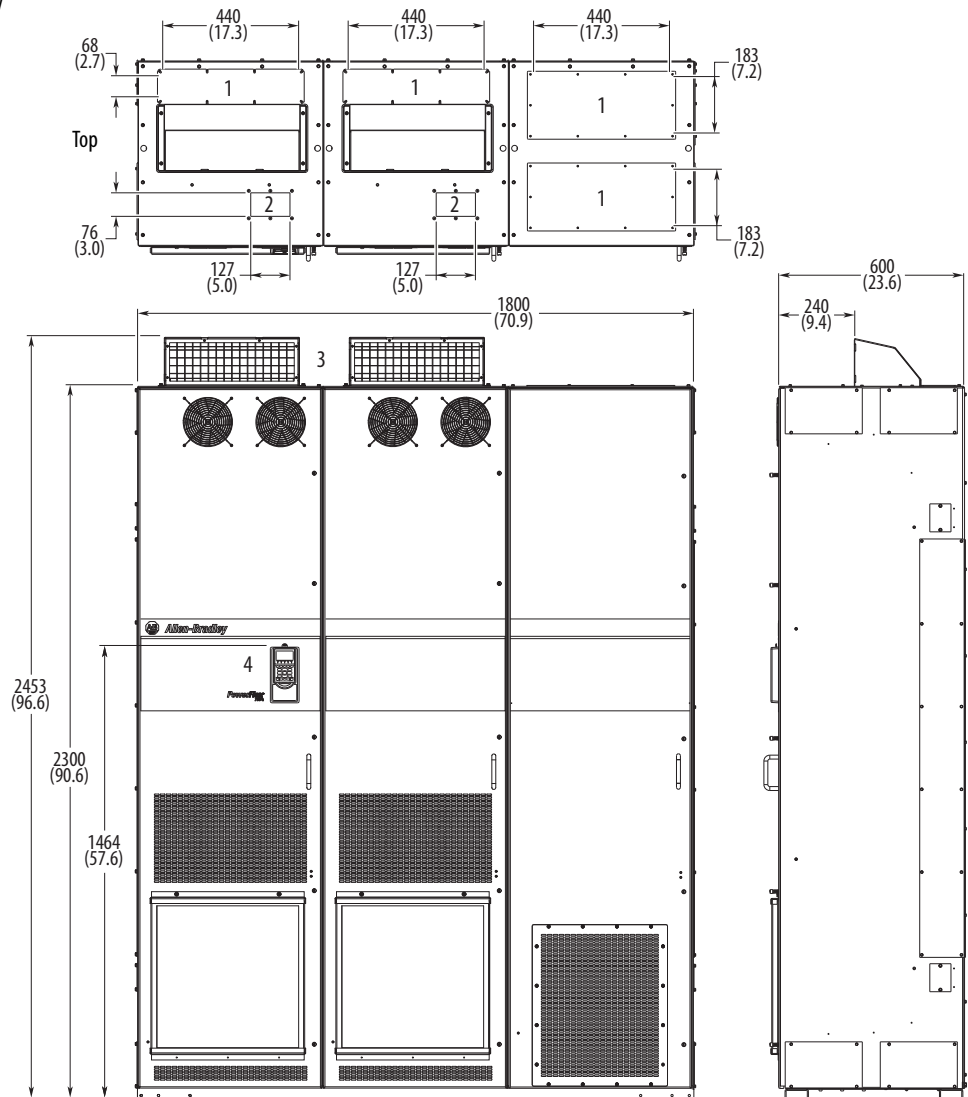
600 mm (23.6 in.) Deep Drive with Cabinet Options Bay



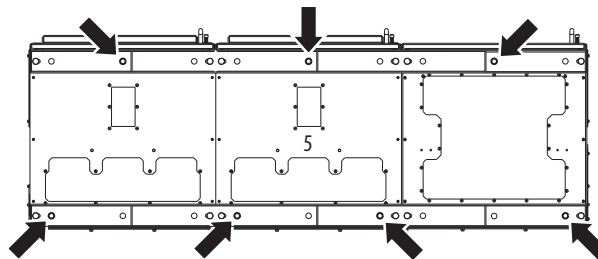
No.	Description
1	Power wiring conduit plates.
2	Control wiring conduit plates.

Figure 69 - IP20, NEMA/UL Type 1, MCC Style Cabinet, Floor Mount Frame 9 (Enclosure Code B with P14)

600 mm (23.6 in.) Deep Drive with Wiring Bay



No.	Description
1	Power wiring conduit plates.
2	Control wiring conduit plates.
3	Optional exhaust hood.
4	Optional HIM.
5	Recommended seven-hole anchoring.



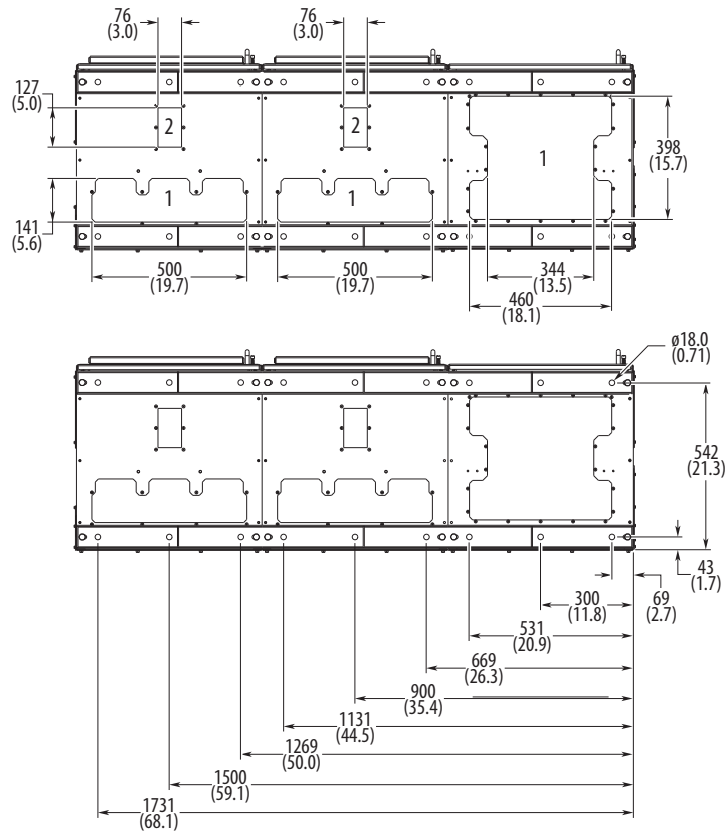
Bottom



M12 (1/2 in.) Property Class 8.8 anchor hardware is recommended to fasten the drive cabinet through its internal mounting angle to the foundation. Anchor bolts can be pre-located and embedded in the foundation before installation.

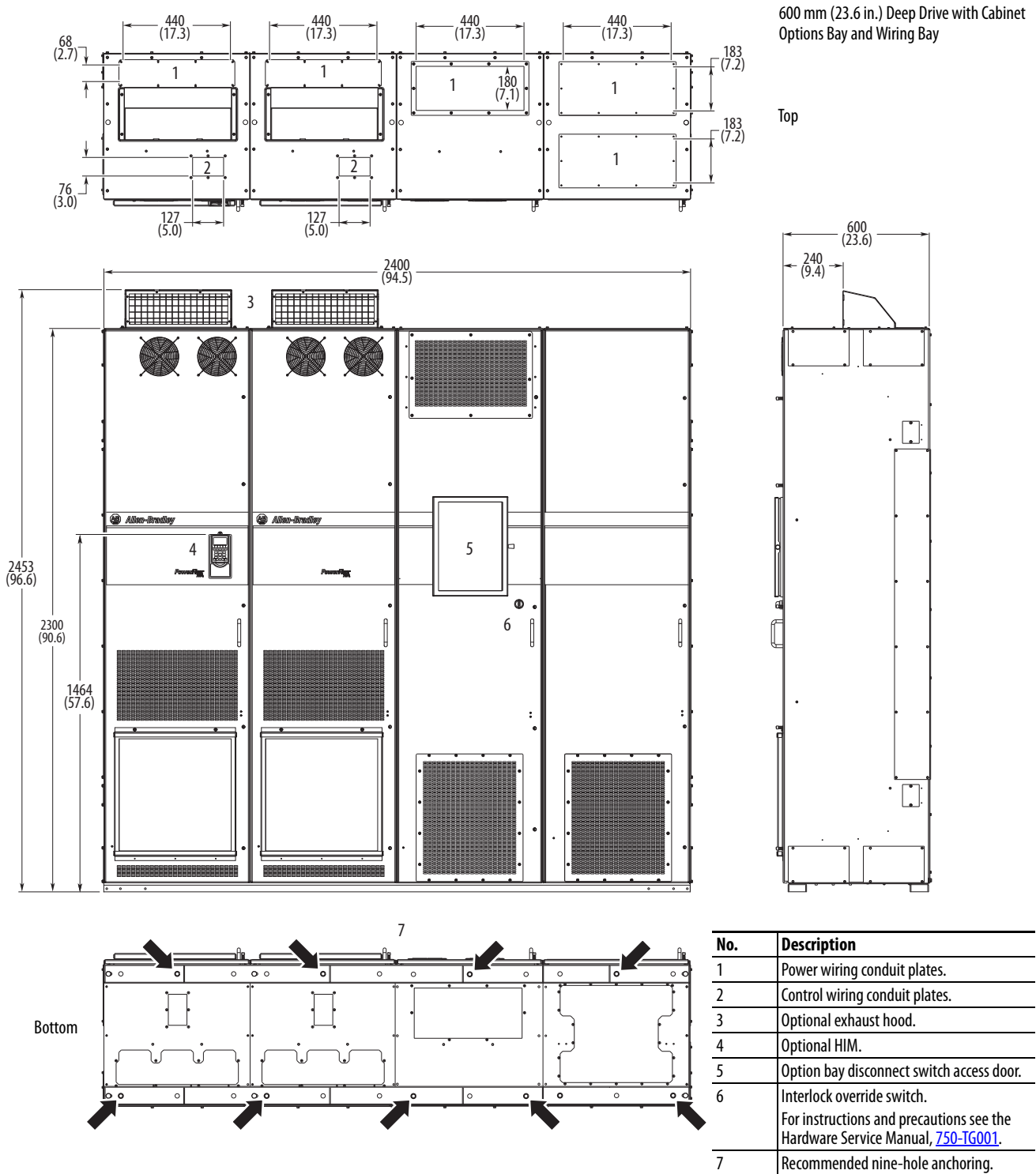
Figure 70 - IP20, NEMA/UL Type 1, MCC Style Cabinet, Floor Mount Frame 9 Bottom Access (Enclosure Code B with P14)

600 mm (23.6 in.) Deep Drive with Wiring Bay



No.	Description
1	Power wiring conduit plates.
2	Control wiring conduit plates.

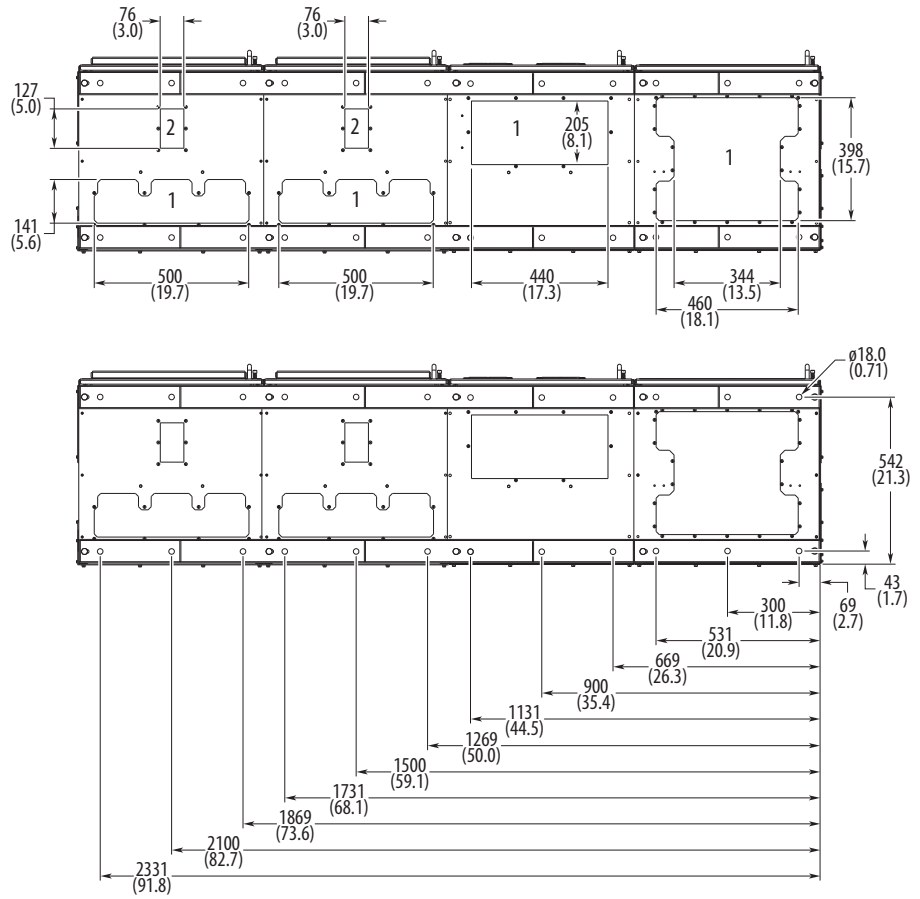
Figure 71 - IP20, NEMA/UL Type 1, MCC Style Cabinet, Floor Mount Frame 9 (Enclosure Code B)



M12 (1/2 in.) Property Class 8.8 anchor hardware is recommended to fasten the drive cabinet through its internal mounting angle to the foundation. Anchor bolts can be pre-located and embedded in the foundation before installation.

Figure 72 - IP20, NEMA/UL Type 1, MCC Style Cabinet, Floor Mount Frame 9 Bottom Access (Enclosure Code B)

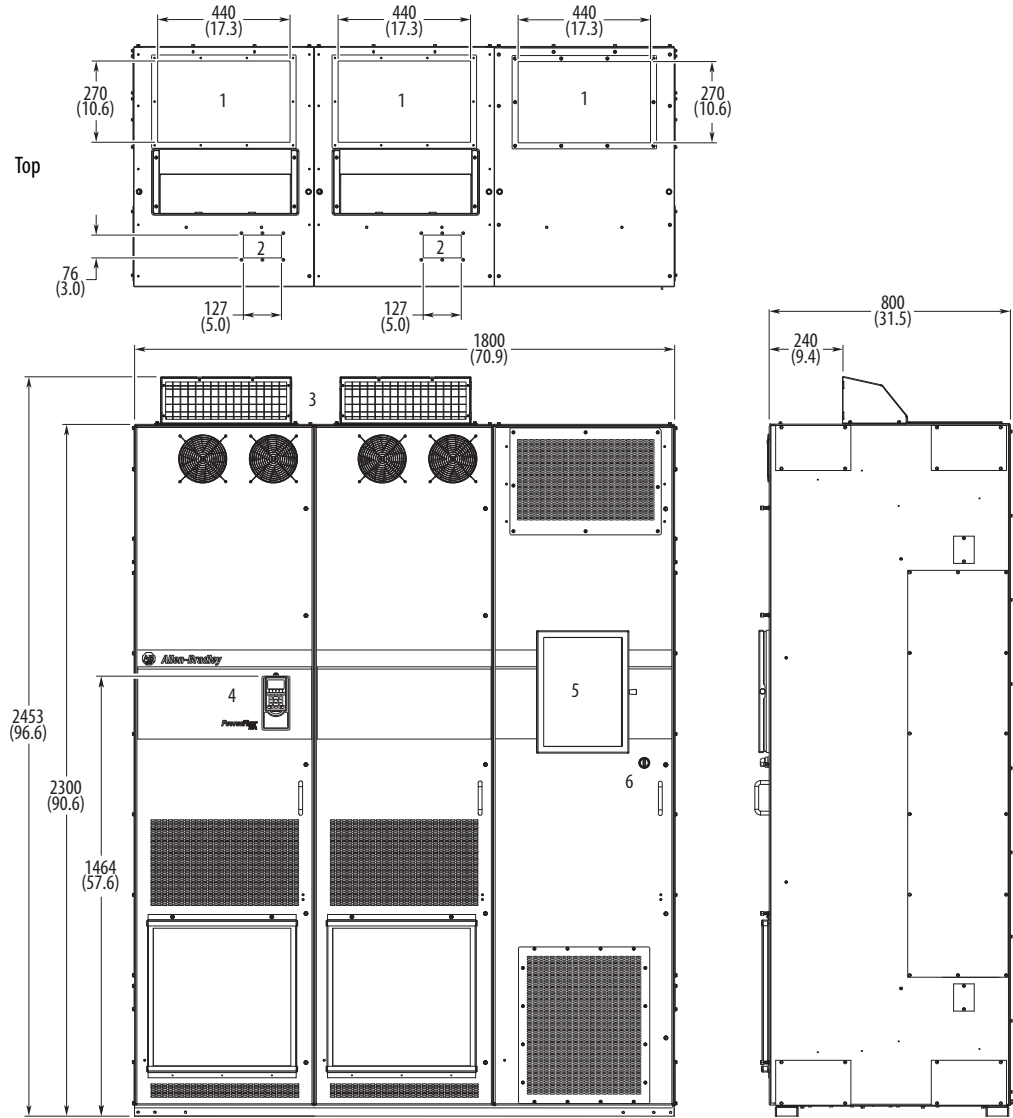
600 mm (23.6 in.) Deep Drive with Cabinet Options Bay and Wiring Bay



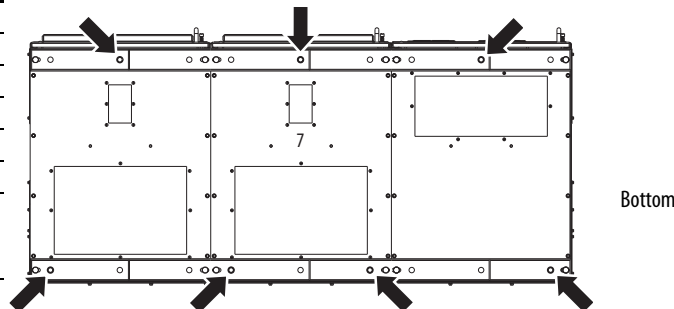
No.	Description
1	Power wiring conduit plates.
2	Control wiring conduit plates.

Figure 73 - IP20, NEMA/UL Type 1, MCC Style Cabinet, Floor Mount Frame 9 (Enclosure Code L, P, W)

800 mm (31.5 in.) Deep Drive with Cabinet Options Bay



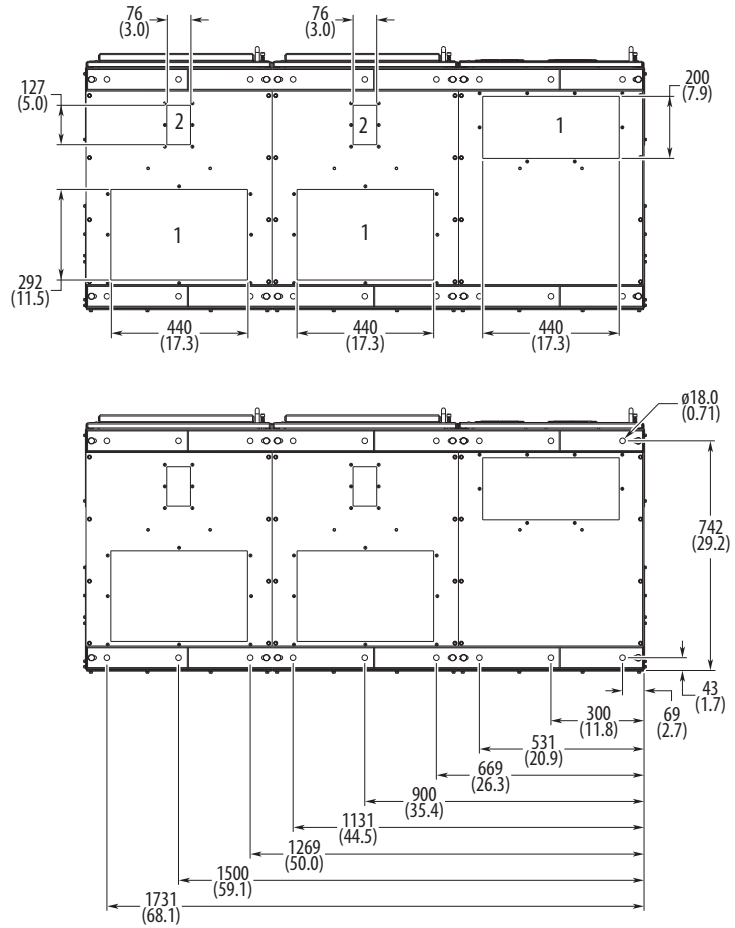
No.	Description
1	Power wiring conduit plates.
2	Control wiring conduit plates.
3	Optional exhaust hood.
4	Optional HIM.
5	Option bay disconnect switch access door.
6	Interlock override switch. For instructions and precautions see the Hardware Service Manual, 750-TG001 .
7	Recommended seven-hole anchoring.



M12 (1/2 in.) Property Class 8.8 anchor hardware is recommended to fasten the drive cabinet through its internal mounting angle to the foundation. Anchor bolts can be pre-located and embedded in the foundation before installation.

Figure 74 - IP20, NEMA/UL Type 1, MCC Style Cabinet, Floor Mount Frame 9 Bottom Access (Enclosure Code L, P, W)

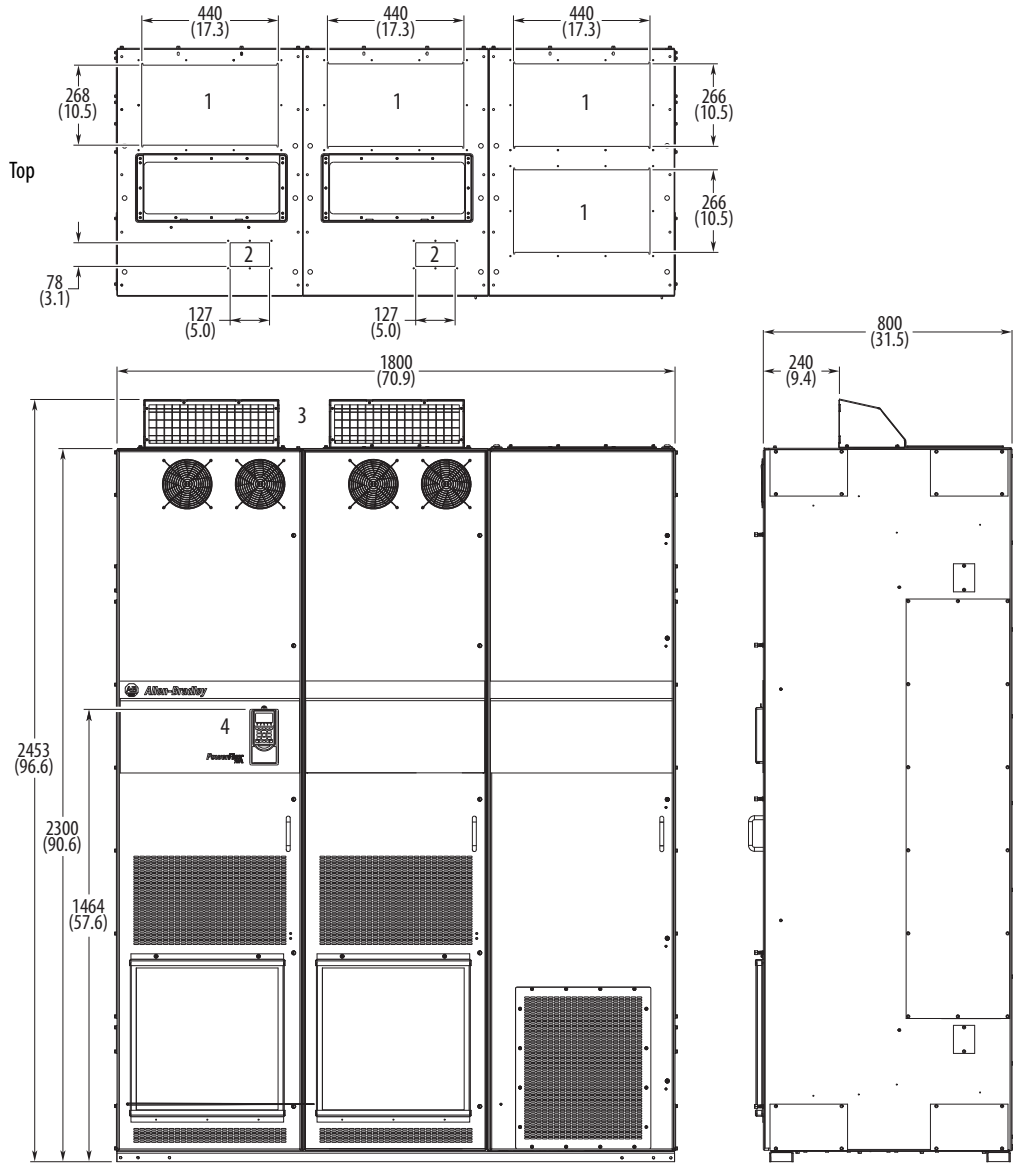
800 mm (31.5 in.) Deep Drive with Cabinet Options Bay



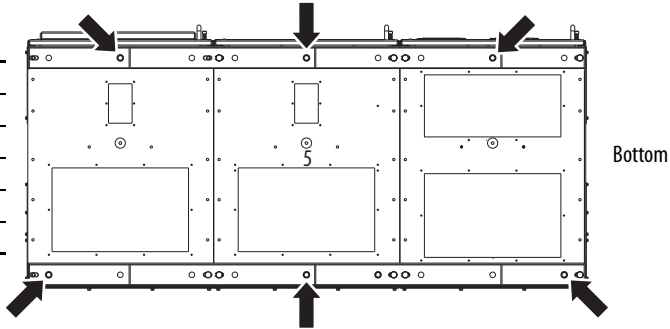
No.	Description
1	Power wiring conduit plates.
2	Control wiring conduit plates.

Figure 75 - NEMA/UL Type 1, MCC Style Cabinet, Floor Mount Frame 9 (Enclosure Code L, P, W)

800 mm (31.5 in.) Deep Drive with Wiring Bay



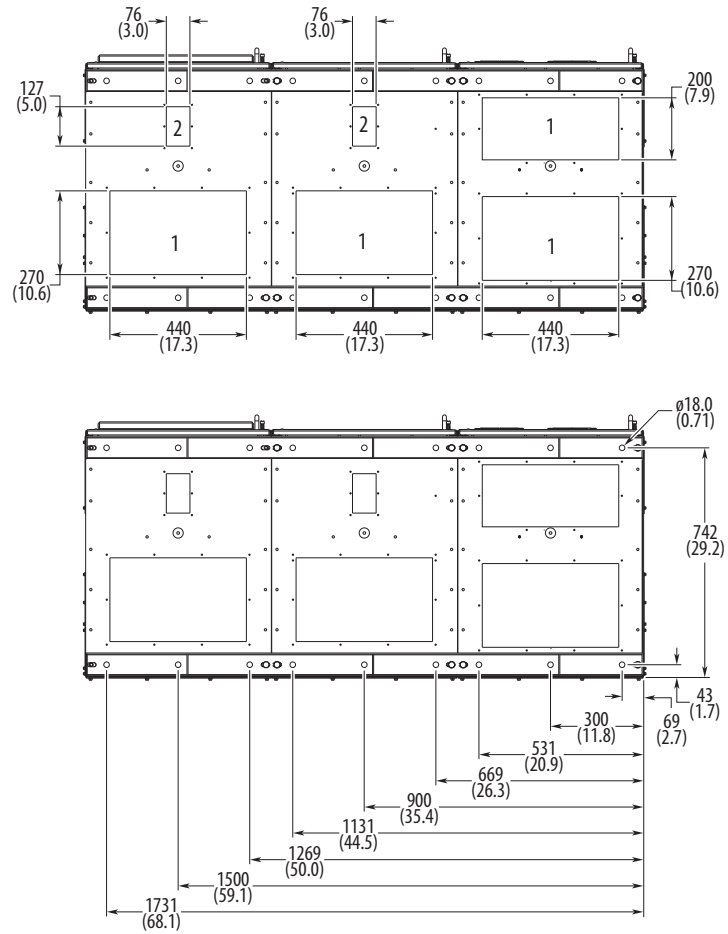
No.	Description
1	Power wiring conduit plates.
2	Control wiring conduit plates.
3	Optional exhaust hood.
4	Optional HIM.
5	Recommended six-hole anchoring.



M12 (1/2 in.) Property Class 8.8 anchor hardware is recommended to fasten the drive cabinet through its internal mounting angle to the foundation. Anchor bolts can be pre-located and embedded in the foundation before instillation.

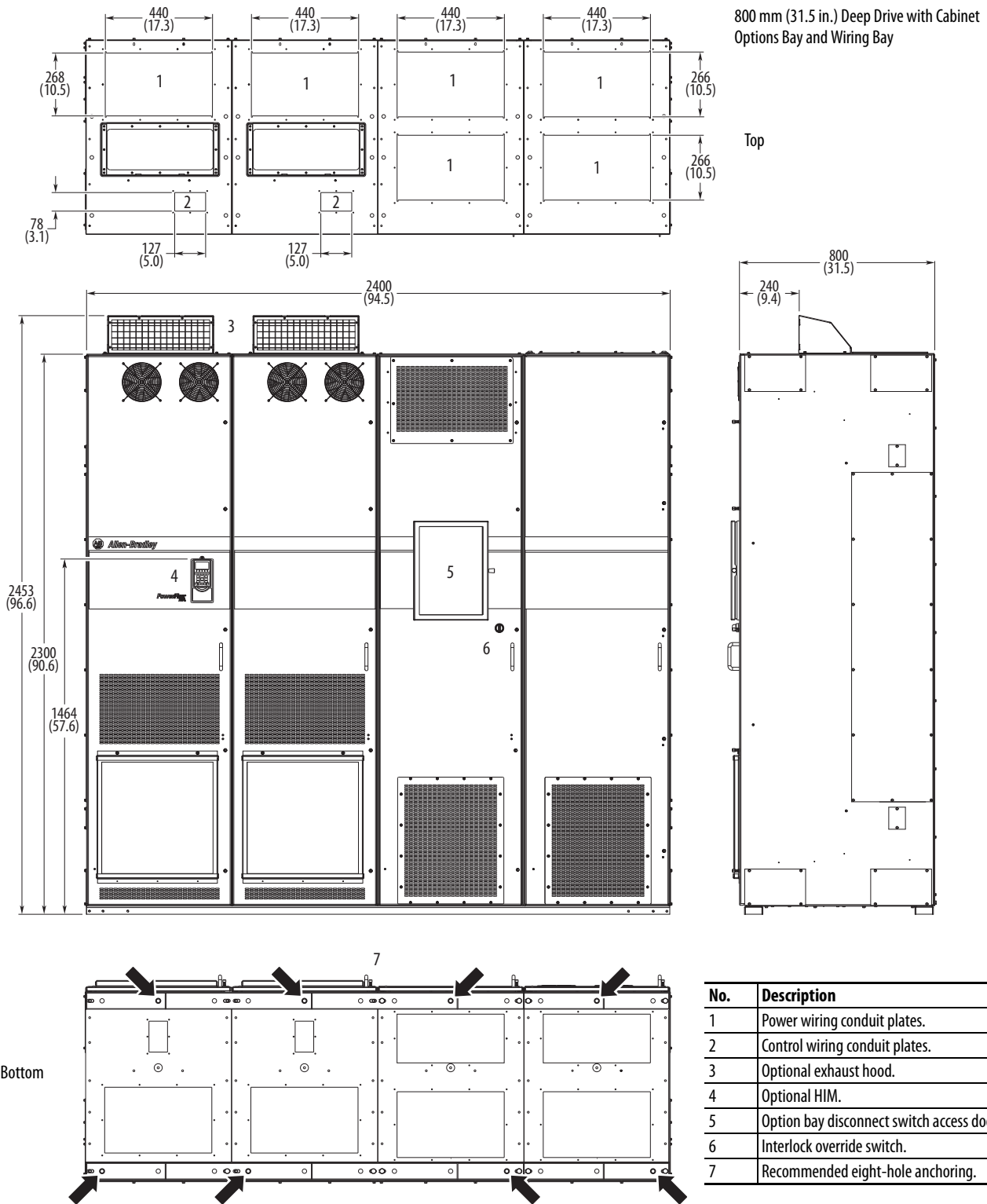
Figure 76 - IP20, NEMA/UL Type 1, MCC Style Cabinet, Floor Mount Frame 9 Bottom Access (Enclosure Code L, P, W)

800 mm (31.5 in.) Deep Drive with Wiring Bay



No.	Description
1	Power wiring conduit plates.
2	Control wiring conduit plates.

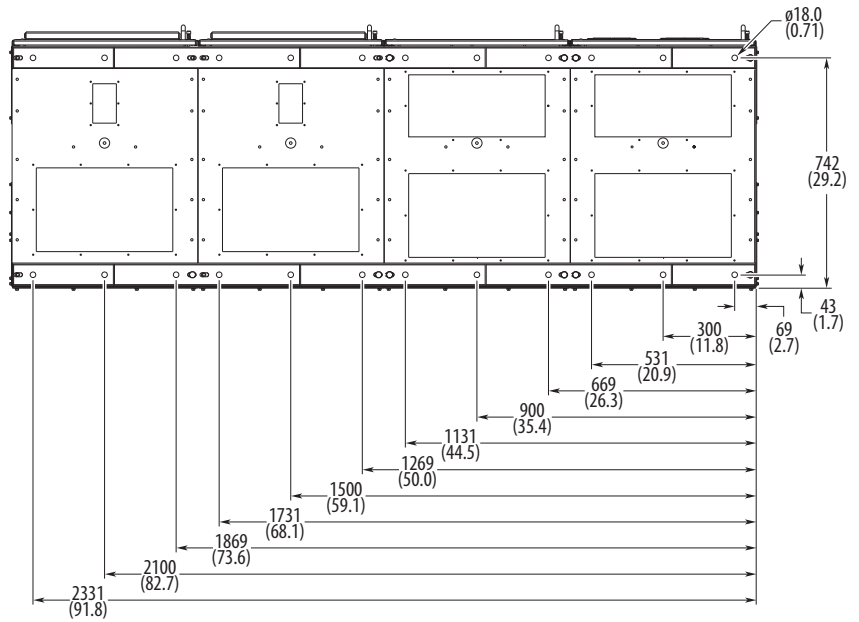
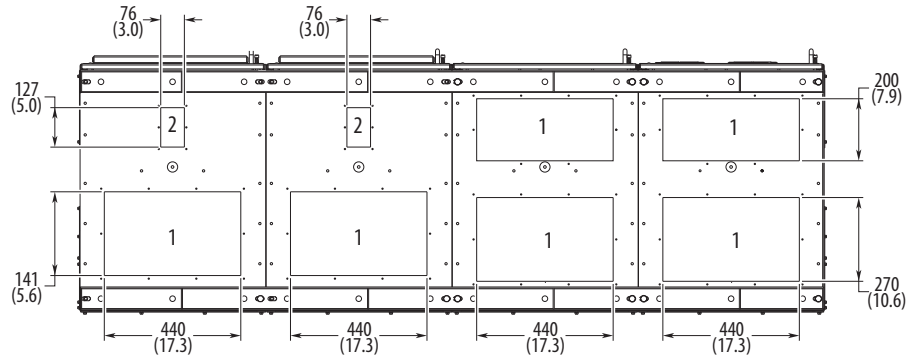
Figure 77 - IP20, NEMA/UL Type 1, MCC Style Cabinet, Floor Mount Frame 9 (Enclosure Code L, P, W)



M12 (1/2 in.) Property Class 8.8 anchor hardware is recommended to fasten the drive cabinet through its internal mounting angle to the foundation. Anchor bolts can be pre-located and embedded in the foundation before installation.

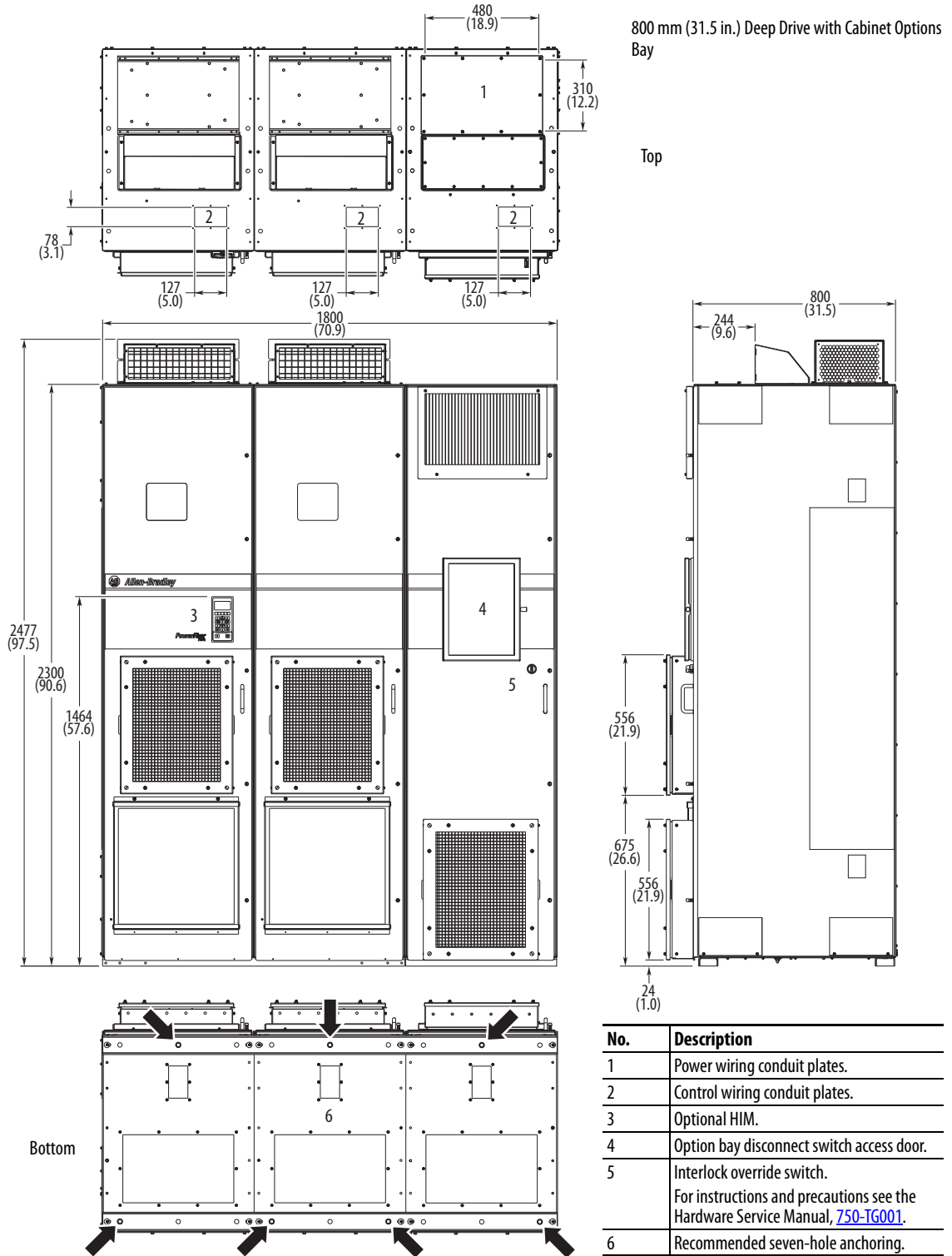
Figure 78 - IP20, NEMA/UL Type 1, MCC Style Cabinet, Floor Mount Frame 9 Bottom Access (Enclosure Code L, P, W)

800 mm (31.5 in.) Deep Drive with Cabinet Options Bay and Wiring Bay



No.	Description
1	Power wiring conduit plates.
2	Control wiring conduit plates.

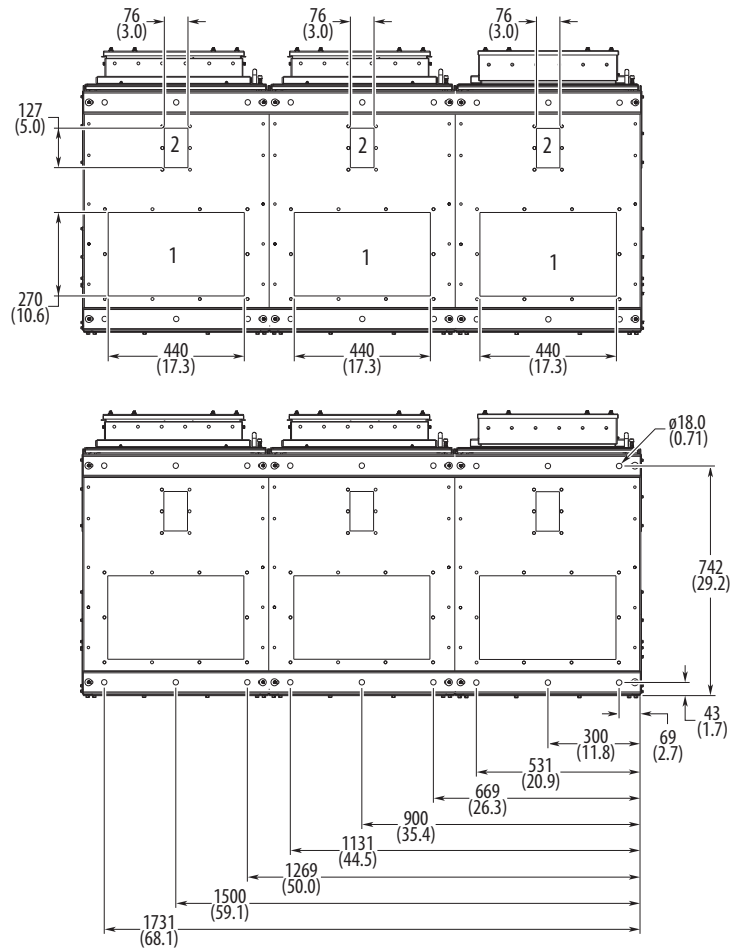
**Figure 79 - IP54, NEMA 12, MCC Style Cabinet, Floor Mount Frame 9 (Enclosure Codes K and Y)
IP54, UL Type 12, MCC Style Cabinet, Floor Mount Frame 9 (Enclosure Code J)**



M12 (1/2 in.) Property Class 8.8 anchor hardware is recommended to fasten the drive cabinet through its internal mounting angle to the foundation. Anchor bolts can be pre-located and embedded in the foundation before installation.

Figure 80 - IP54, NEMA 12, MCC Style Cabinet, Floor Mount Frame 9 Bottom Access (Enclosure Codes K and Y)
IP54, UL Type 12, MCC Style Cabinet, Floor Mount Frame 9 Bottom Access (Enclosure Code J)

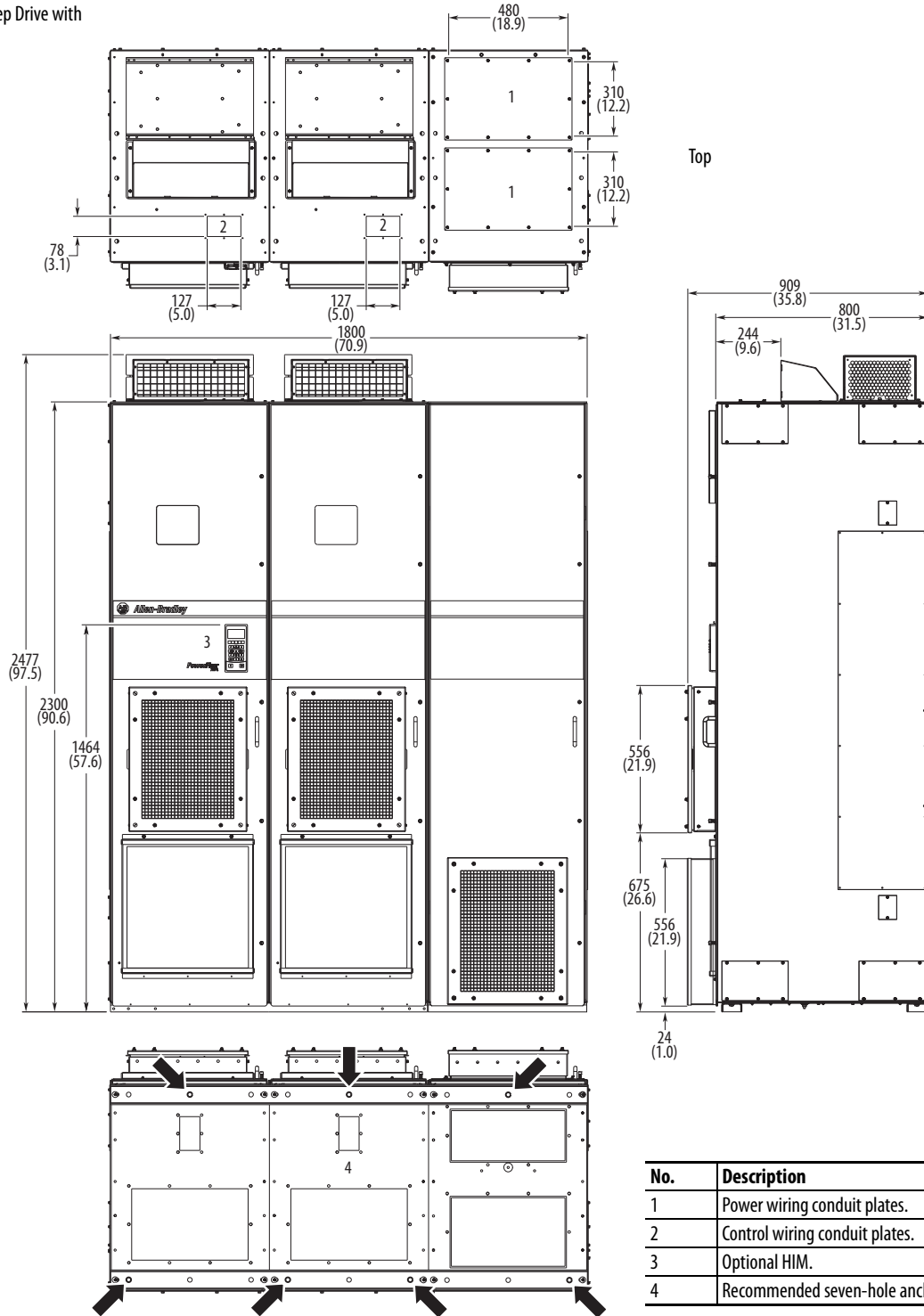
800 mm (31.5 in.) Deep Drive with Cabinet Options Bay



No.	Description
1	Power wiring conduit plates.
2	Control wiring conduit plates.

**Figure 81 - IP54, NEMA 12, MCC Style Cabinet, Floor Mount Frame 9 (Enclosure Codes K and Y)
IP54, UL Type 12, MCC Style Cabinet, Floor Mount Frame 9 (Enclosure Code J)
With P14**

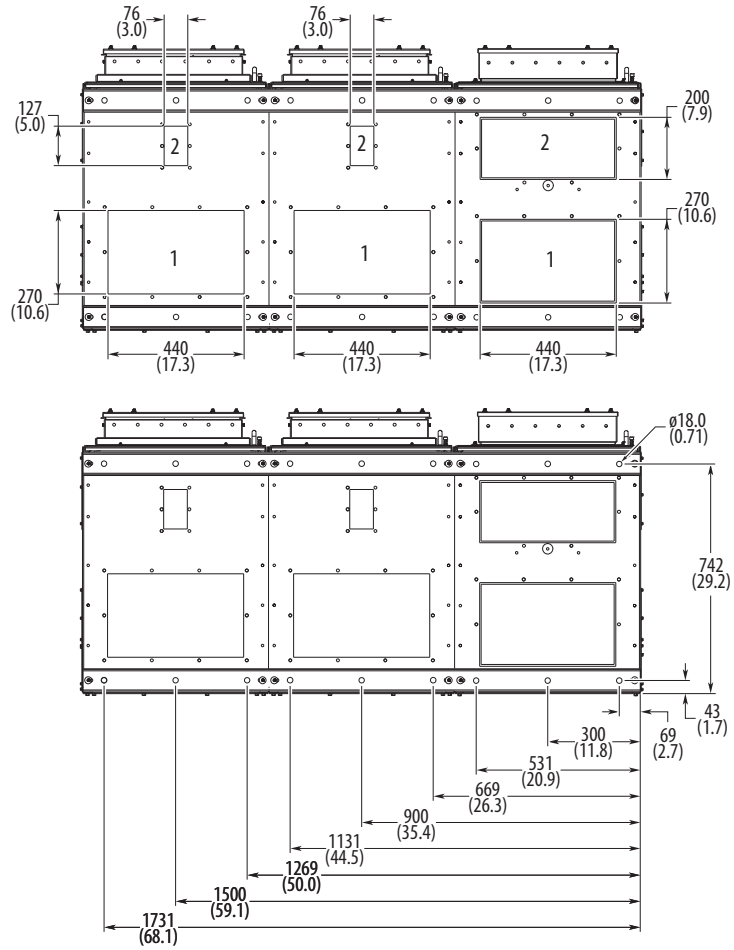
800 mm (31.5 in.) Deep Drive with Wiring Bay



M12 (1/2 in.) Property Class 8.8 anchor hardware is recommended to fasten the drive cabinet through its internal mounting angle to the foundation. Anchor bolts can be pre-located and embedded in the foundation before installation.

**Figure 82 - IP54, NEMA 12, MCC Style Cabinet, Floor Mount Frame 9 Bottom Access
(Enclosure Codes K and Y)
IP54, UL Type 12, MCC Style Cabinet, Floor Mount Frame 9 Bottom Access
(Enclosure Code J)**

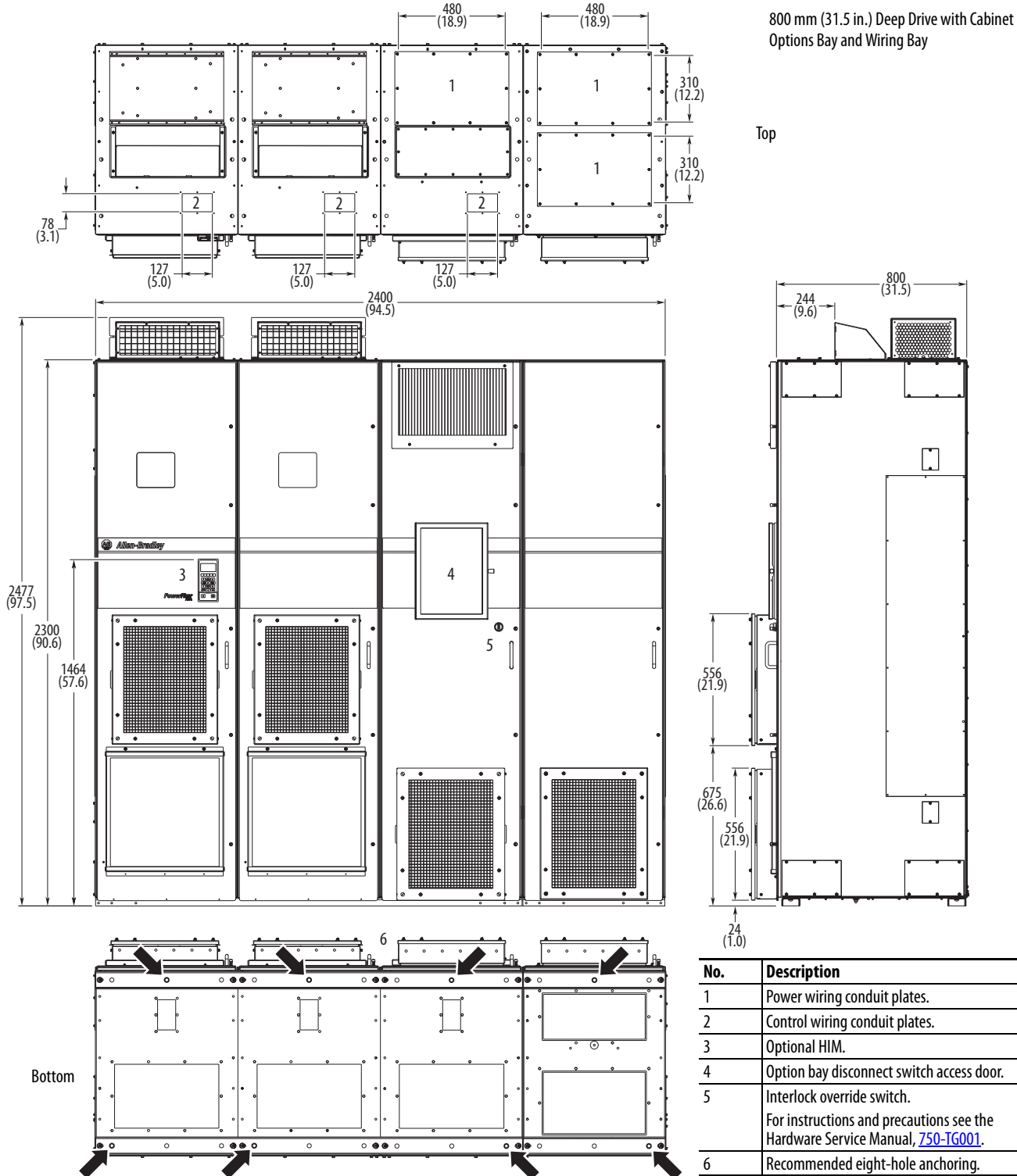
800 mm (31.5 in.) Deep Drive with Wiring Bay



No.	Description
1	Power wiring conduit plates.
2	Control wiring conduit plates.

**Figure 83 - IP54, NEMA 12, MCC Style Cabinet, Floor Mount Frame 9 (Enclosure Codes K and Y)
IP54, UL Type 12, MCC Style Cabinet, Floor Mount Frame 9 (Enclosure Code J)**

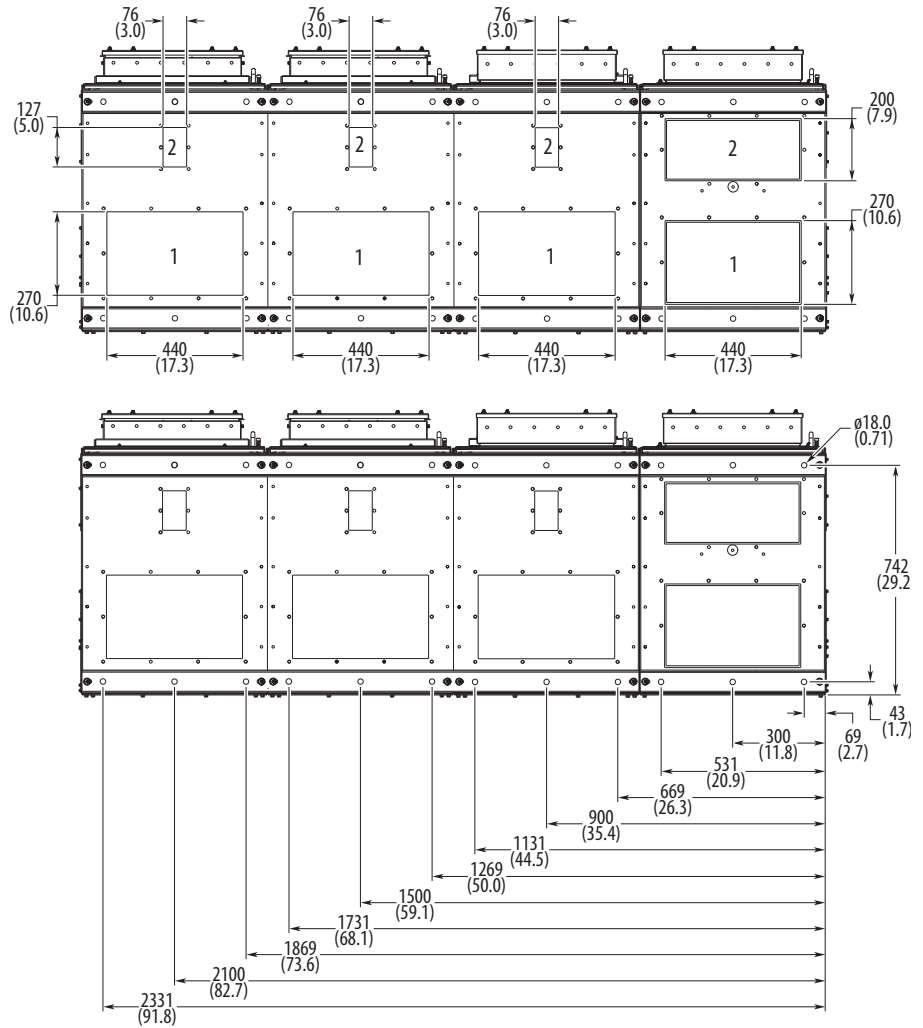
800 mm (31.5 in.) Deep Drive with Cabinet Options Bay and Wiring Bay



M12 (1/2 in.) Property Class 8.8 anchor hardware is recommended to fasten the drive cabinet through its internal mounting angle to the foundation. Anchor bolts can be pre-located and embedded in the foundation before installation.

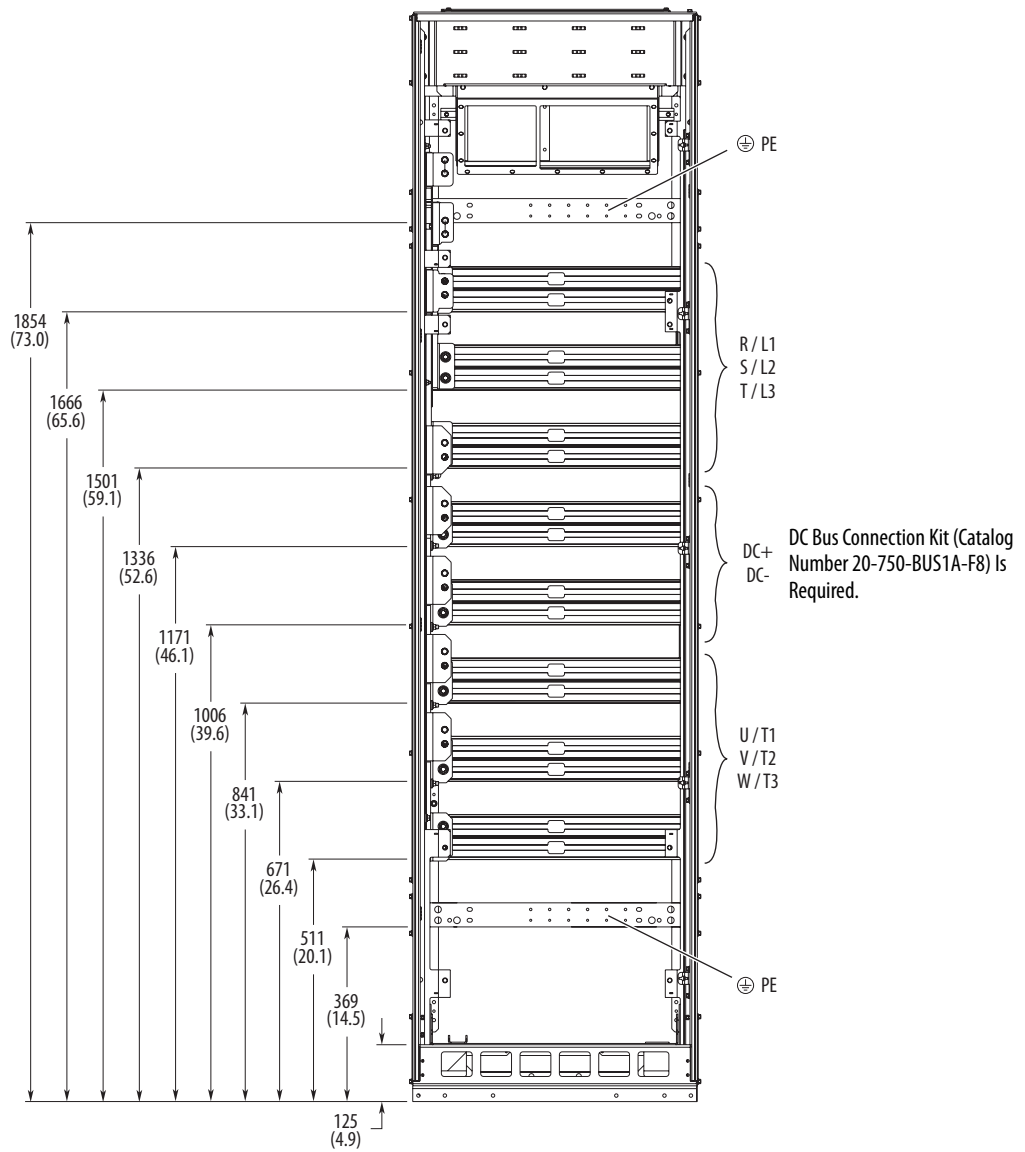
Figure 84 - IP54, NEMA 12, MCC Style Cabinet, Floor Mount Frame 9 Bottom Access (Enclosure Codes K and Y)
IP54, UL Type 12, MCC Style Cabinet, Floor Mount Frame 9 Bottom Access (Enclosure Code J)

800 mm (31.5 in.) Deep Drive with Cabinet Options
 Bay and Wiring Bay



No.	Description
1	Power wiring conduit plates.
2	Control wiring conduit plates.

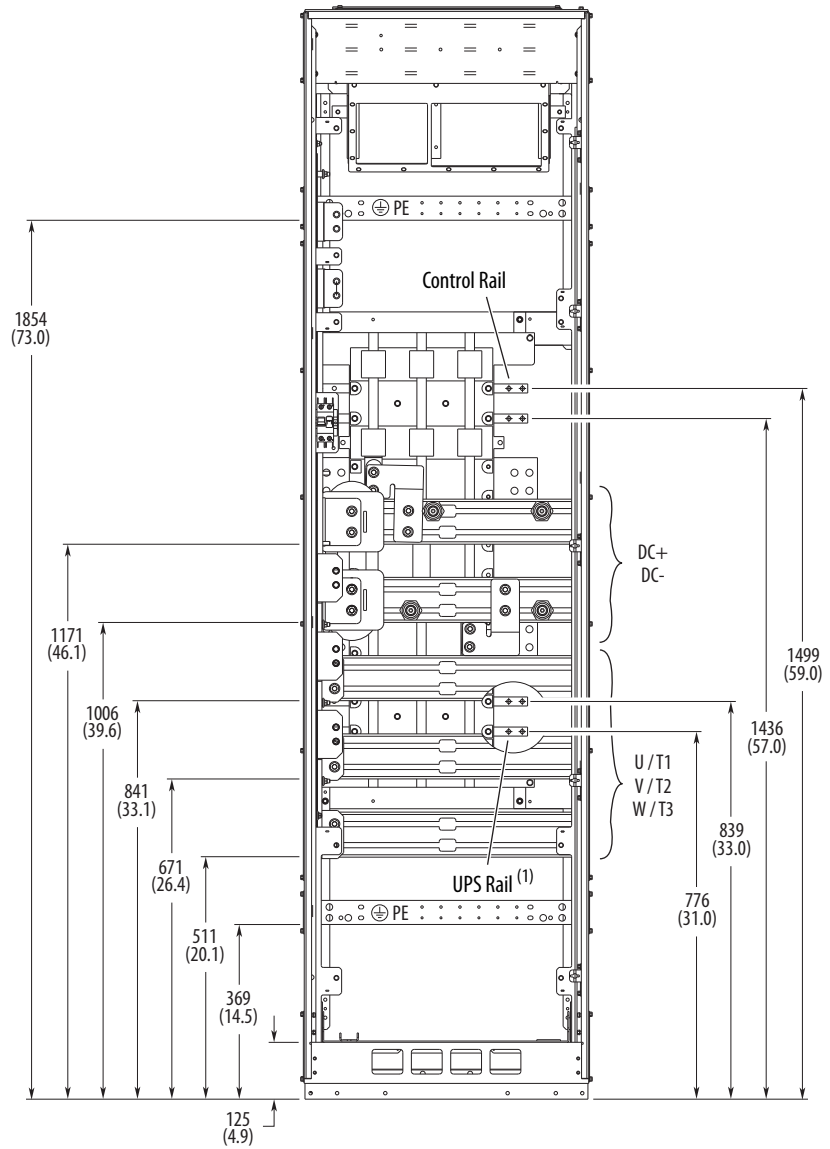
Figure 85 - Bus Bar Dimensions (AC Input)



Dimensions are in millimeters and (inches).

IMPORTANT To connect to the DC bus bars, a PowerFlex 750-Series DC bus connection kit (catalog number 20-750-BUS1A-F8) is required.

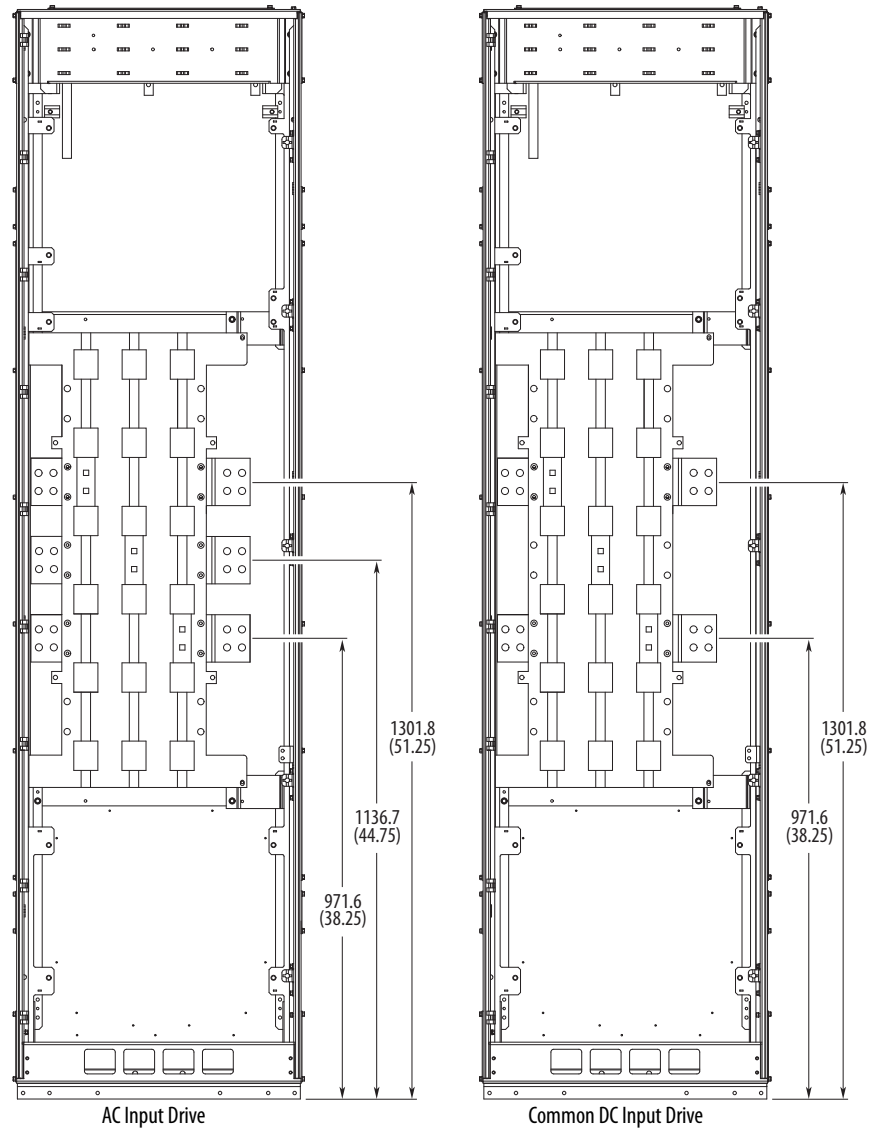
Figure 86 - Bus Bar Dimensions (Common DC Input)



(1) The UPS rail is only installed when the P30 UPS control bus option is selected.

Dimensions are in millimeters and (inches).

Figure 87 - Bus Bar Dimensions (MCC Bus)



Dimensions are in millimeters and (inches).

Release Drive Assembly from Cabinet

To access the interior of the drive cabinet to complete installation and power wiring connections, remove the drive assembly from the cabinet.

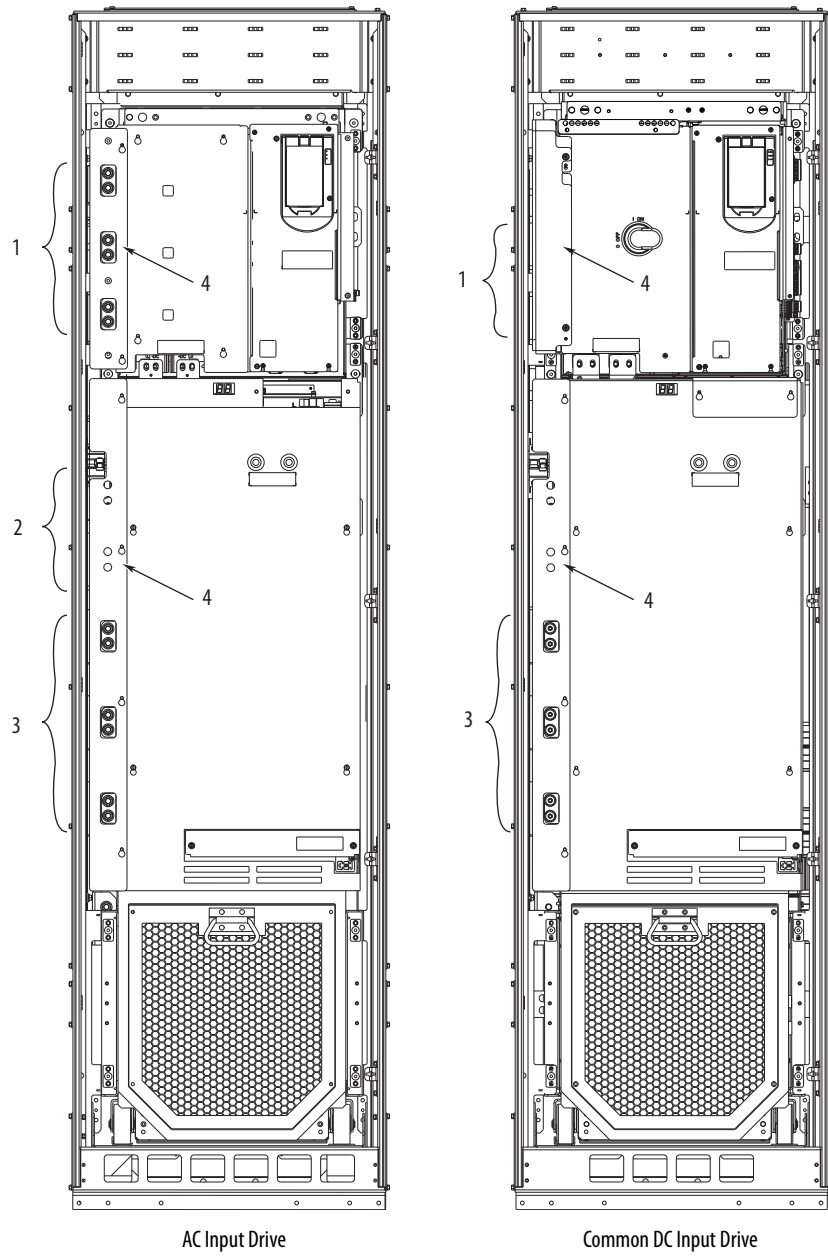
IMPORTANT Before removing the drive assembly, be sure that the cabinet is in its intended installed position. Height adjustments to the roll-out cart cannot be made while carrying a drive.

1. Open the cabinet door.
2. Remove the side shields (see number 4 in [Figure 88](#)).
3. Remove the bus bar connector bolts (see numbers 1, 2, and 3 in [Figure 88](#)).
4. Disconnect the two captive bolts that connect the converter chassis to the exhaust vent (see number 5 in [Figure 89](#)).
5. Disconnect the four captive bolts that connect the converter chassis to the cabinet frame (see number 6 in [Figure 89](#)).

IMPORTANT When removing both the inverter and converter drive sections from the cabinet, do not disconnect the captive bolts that hold the two sections together. The inverter-to-converter connector bolts are labeled number 8 in [Figure 89](#).

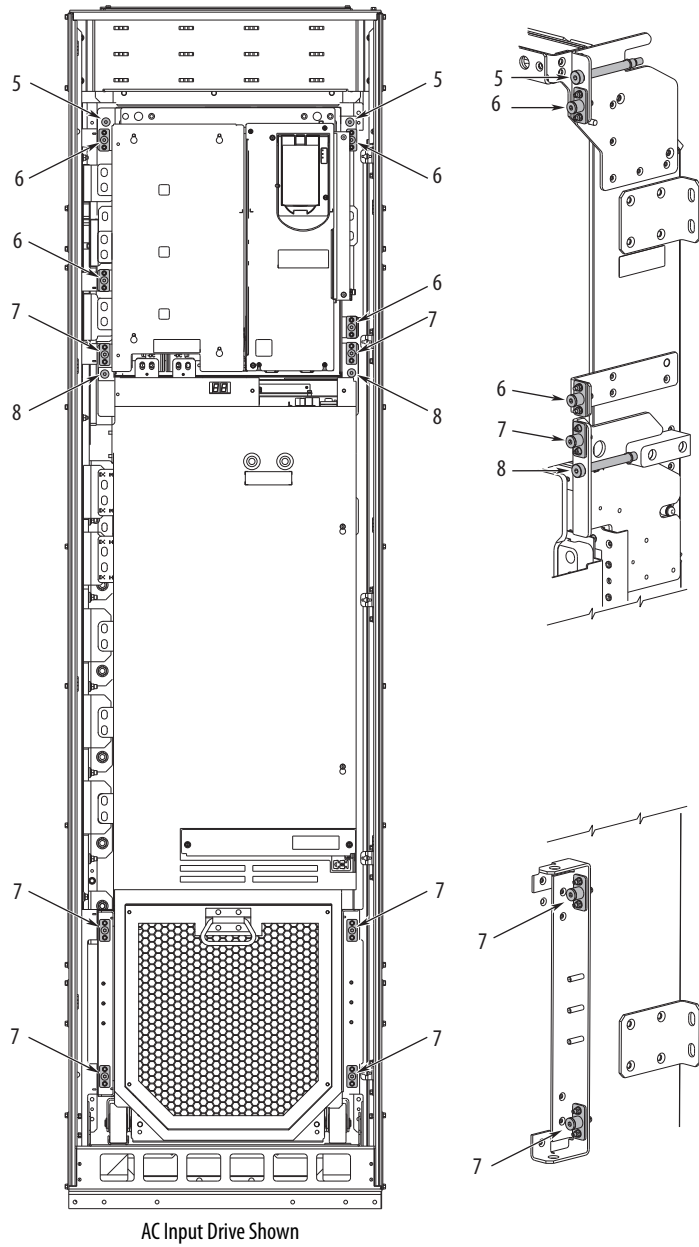
6. Disconnect the six captive bolts that connect the inverter chassis to the cabinet frame (see number 7 in [Figure 89](#)).

Figure 88 - Side Shield and Bus Bar Connections



No.	Description	Torque, N·m (lb·in)	Recommended Tool
1	Converter input power connections.	22.6 (200)	T45 hexalobular (Torx)
2	DC bus connections (if equipped).		
3	Inverter output power connections.		
4	Side shields	2.8 (25)	T25 hexalobular (Torx)

Figure 89 - Drive-to-cabinet Connections



No.	Description	Torque, N·m (lb·in)	Recommended Tool
5	Converter-to-vent hood anchor bolts (two places).	11.3 (100)	5 mm hex key (Allen)
6	Converter-to-cabinet anchor bolts (four places).		
7	Inverter-to-cabinet anchor bolts (six places).		
8	Inverter-to-converter connector bolts (two places).		

Fiber-optic Cables

Follow these guidelines for fiber-optic cables.

IMPORTANT Fiber-optic cables have a minimum bend radius of 50 m (164 ft) (2 in.). If cables are over bent, damage will occur.

IMPORTANT For Frame 8 drives, the fiber-optic cables that are used to connect the fiber interface board to both the converter (AC input)/DC precharge (DC input) control board and the inverter power layer interface board must be the same length. The provided cables are 560 mm (22 in.) long.

IMPORTANT For Frame 9 and larger drives, the fiber-optic cables that are used to connect the fiber interface board to the power layer interface board must be the same length. The provided cables are 2.8 m (110 in.) long.

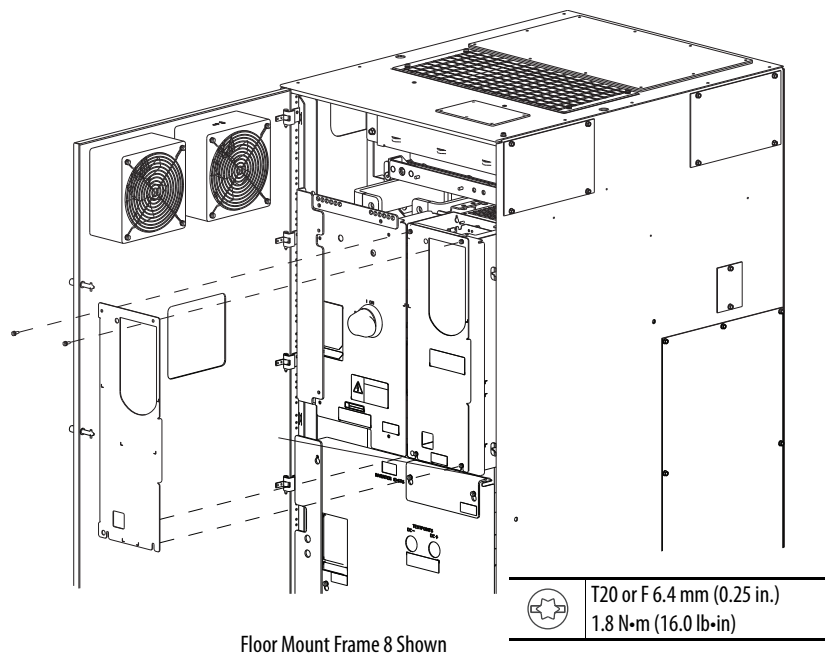
Disconnect Drive Control Pod Wiring Connections

Frame 8 drives, with drive control pod installed, complete [step 1](#) and [step 2](#) of this procedure.

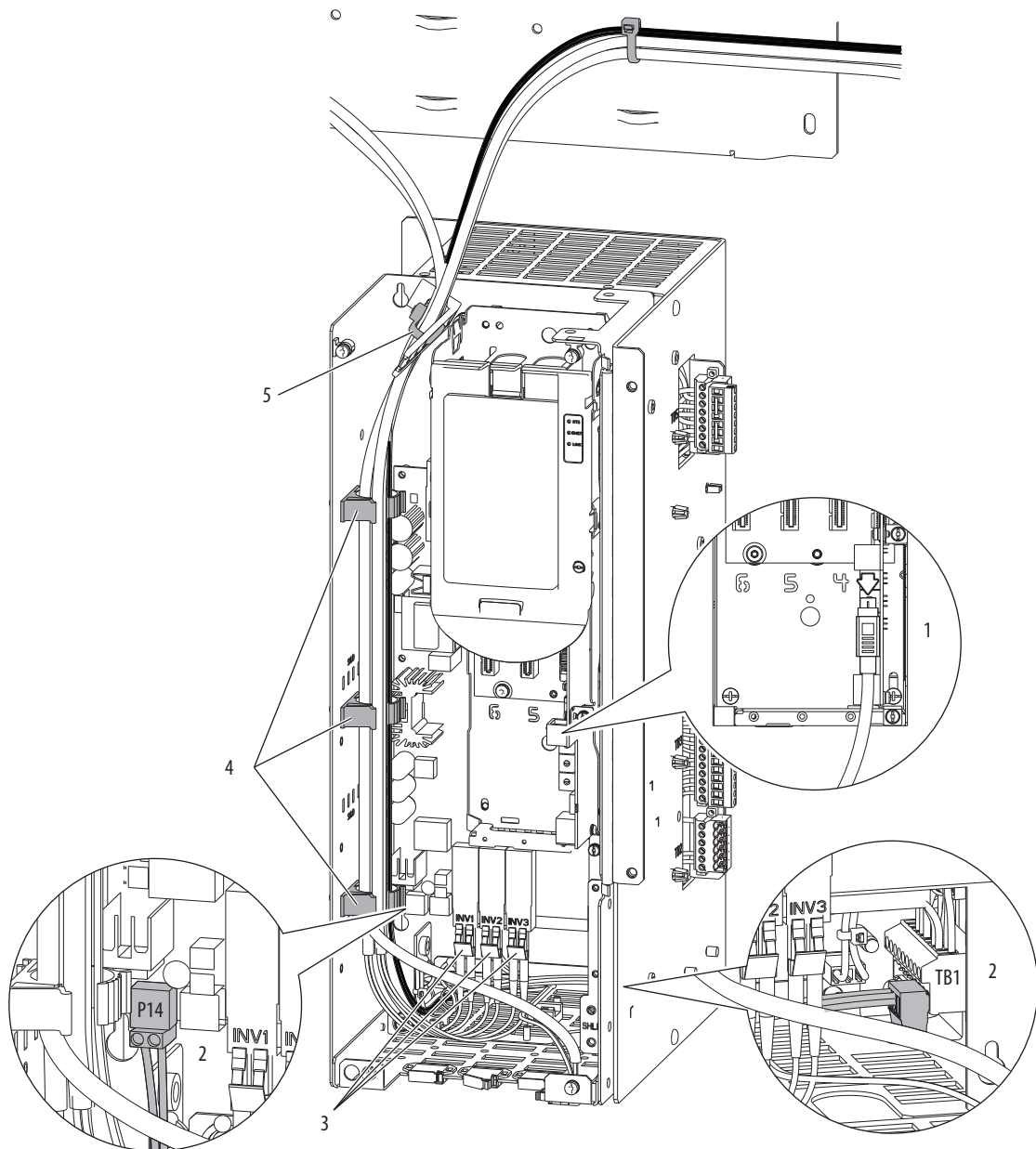
Frame 9 and larger drives, with drive control pod installed, complete [step 1](#) through [step 7](#) of this section.

If the drive control pod is mounted remotely, skip this section.

1. Remove the right front cover.



2. Disconnect the HIM cable (see number 1).
3. Disconnect the 24V wire harness from TB1 and P14 on the fiber interface board (see number 2).
4. Disconnect any fiber-optic cables from the fiber interface board. This step is not necessary on Frame 8 drives (see number 3).
5. Unlock the three cable supports along the left inside wall of the drive control pod (see number 4).
6. Open the releasable cable tie at the top of the drive control pod (see number 5).

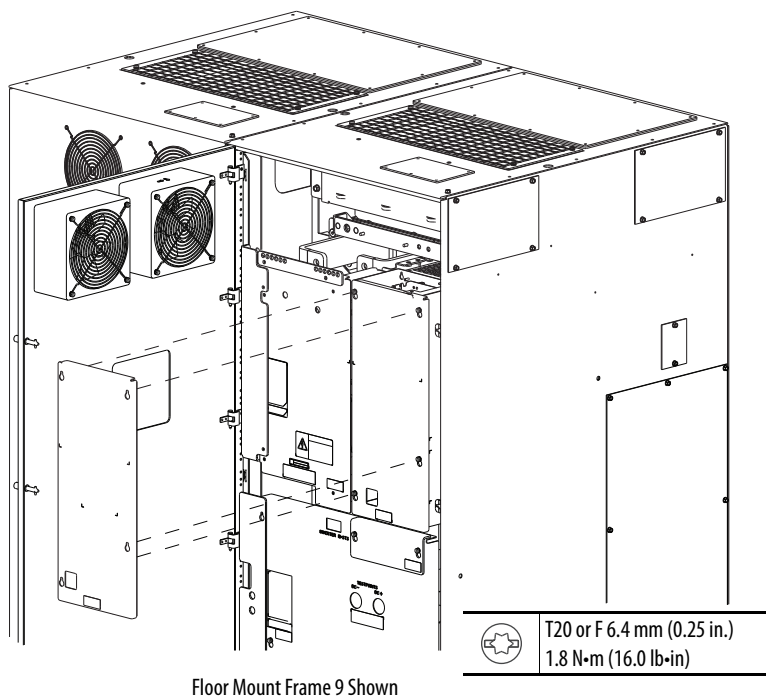


7. Without bending the cables to a radius less than 50 mm (2 in.), lift the 24V wire harness and fiber-optic cables out of the drive control pod. Support the cable bundle so it is out of the way of the drive assembly when it is rolled out of the cabinet.

Disconnect Wire Connections – No Drive Control Pod

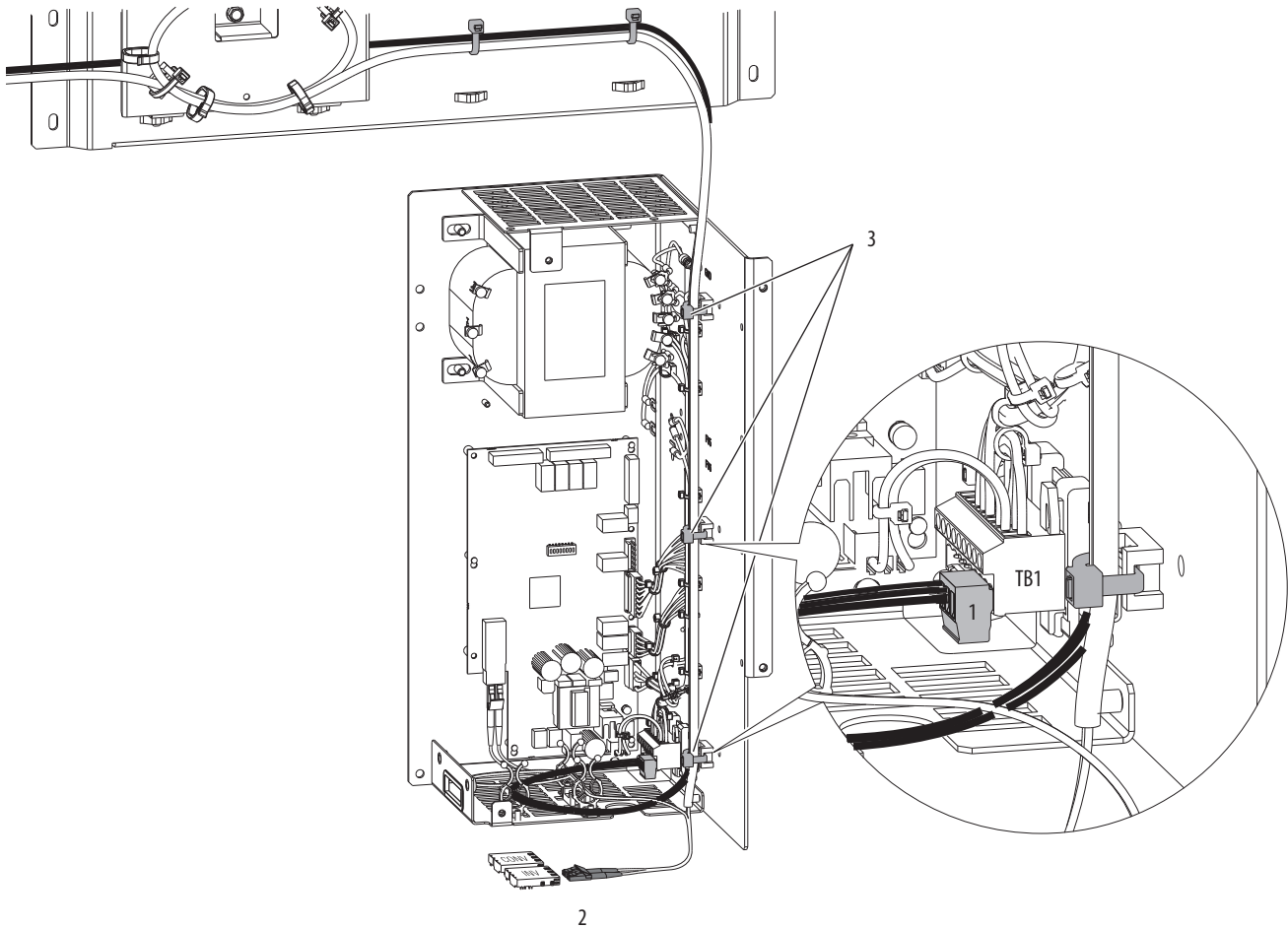
This procedure applies to Frame 8 drives with a remotely mounted drive control pod (up to 23 m [75 ft] away) and to the cabinets on the right side of Frame 9 and larger drives.

1. Remove the right front cover.



2. Disconnect the 24V wire harness from TB1 (see number 1).
3. Disconnect the fiber-optic cable from INV on the power layer interface board (see number 2).

4. Open the three releasable cable ties along the right inside wall of the drive control pod (see number 3).

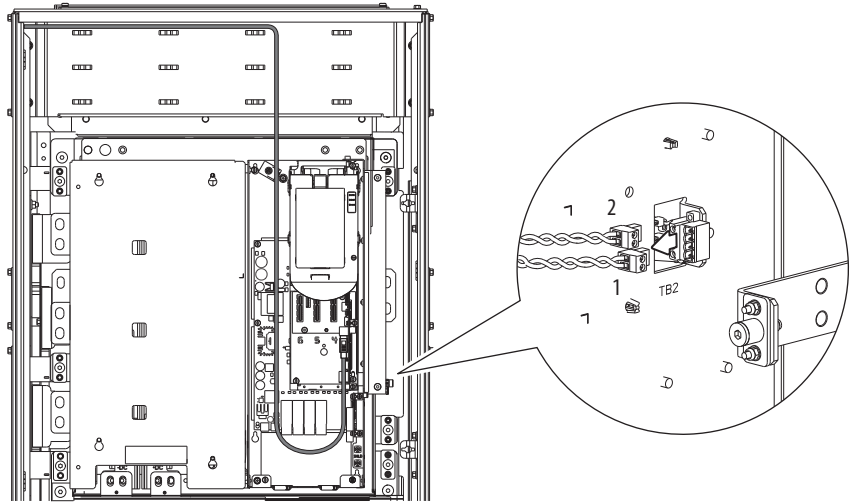


5. Without bending the cables to a radius less than 50 mm (2 in.), lift the 24V wire harness and fiber-optic cable out of the drive control pod. Support the cable bundle so it is out of the way of the drive assembly when it is rolled out of the cabinet.

Disconnect Control and Power Wire Harnesses

AC Input Drives

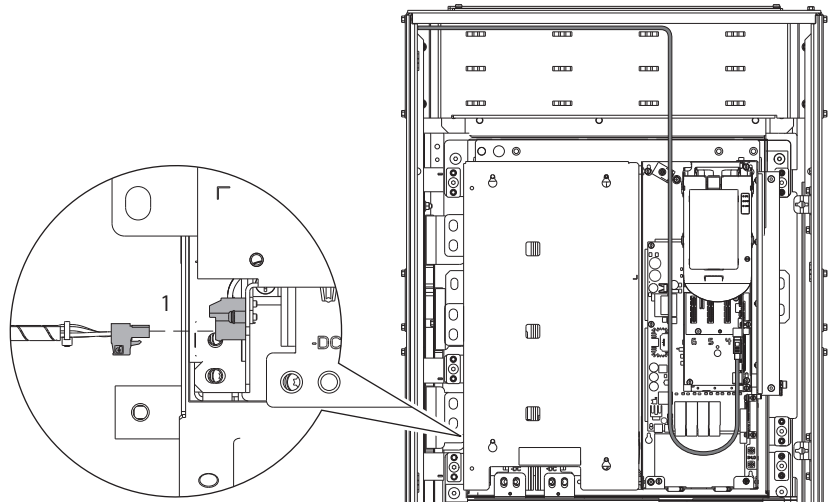
1. Disconnect the cabinet fan/cabinet blower assembly wiring harness from TB2-3 and TB2-4 (see number 1).
2. Disconnect the cabinet shunt trip harness (if used) from TB2-1 and TB2-2 (see number 2).



Disconnect DC Bus Fuse Wire Harness

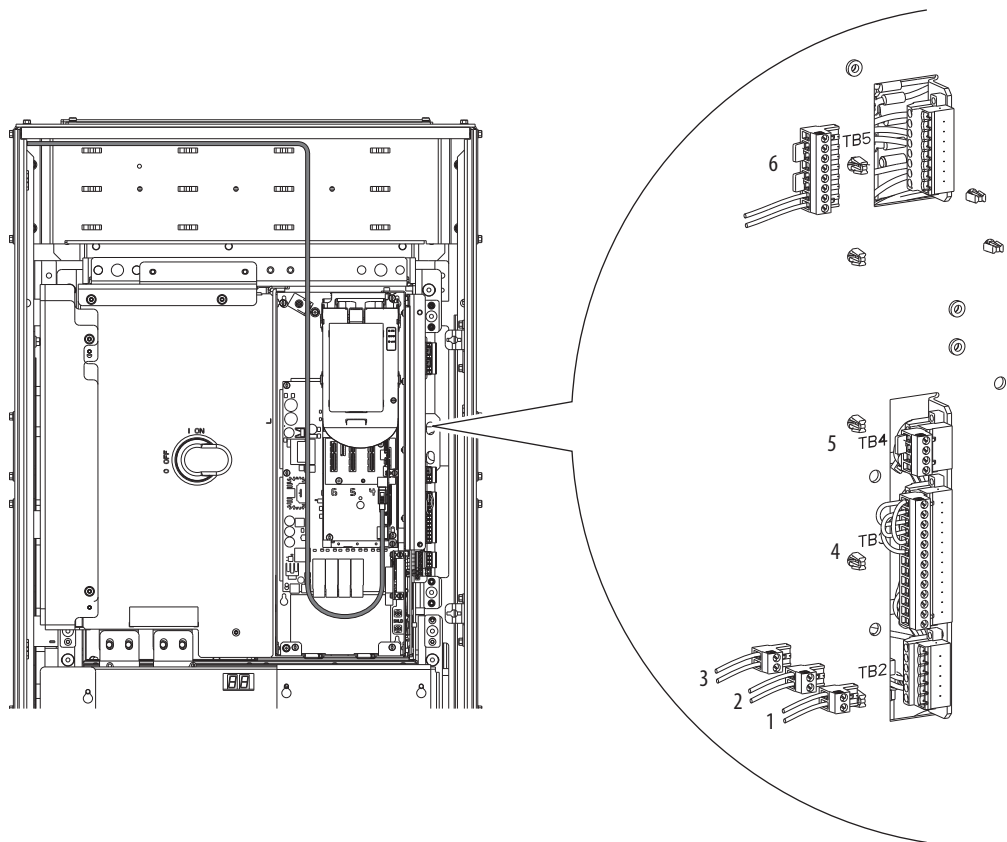
AC Input Drives Floor Mount Frames 9 and Larger

Disconnect the DC bus wiring harness from TB6 (see number 1).



Common DC Input Drives

1. Disconnect the cabinet fan /cabinet blower assembly harnesses from TB2-5 and TB2-6 (see number 1).
2. Disconnect the 120/240V control power input harness from TB2-3 and TB2-4 (see number 2).
3. Disconnect 120V UPS control power input (if used) from TB2-1 and TB2-2 (see number 3).
4. Disconnect the digital I/O wiring (if used) from TB3 (see number 4).
5. Disconnect the door interlock wiring (if used) from TB4 (see number 5).
6. Disconnect the 120V UPS control power output wiring (if used) from TB5 (see number 6).

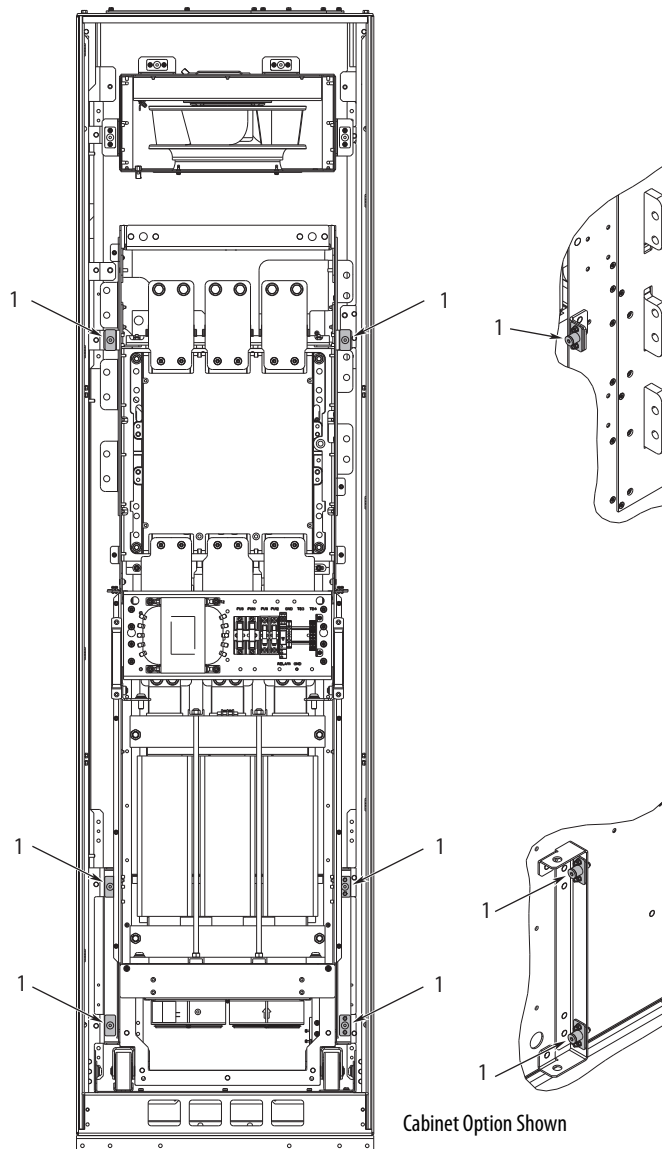


Release Cabinet Options Assembly from Cabinet

To access the interior of the cabinet options cabinet to complete installation and power wiring connections, remove the cabinet options assembly from the cabinet.

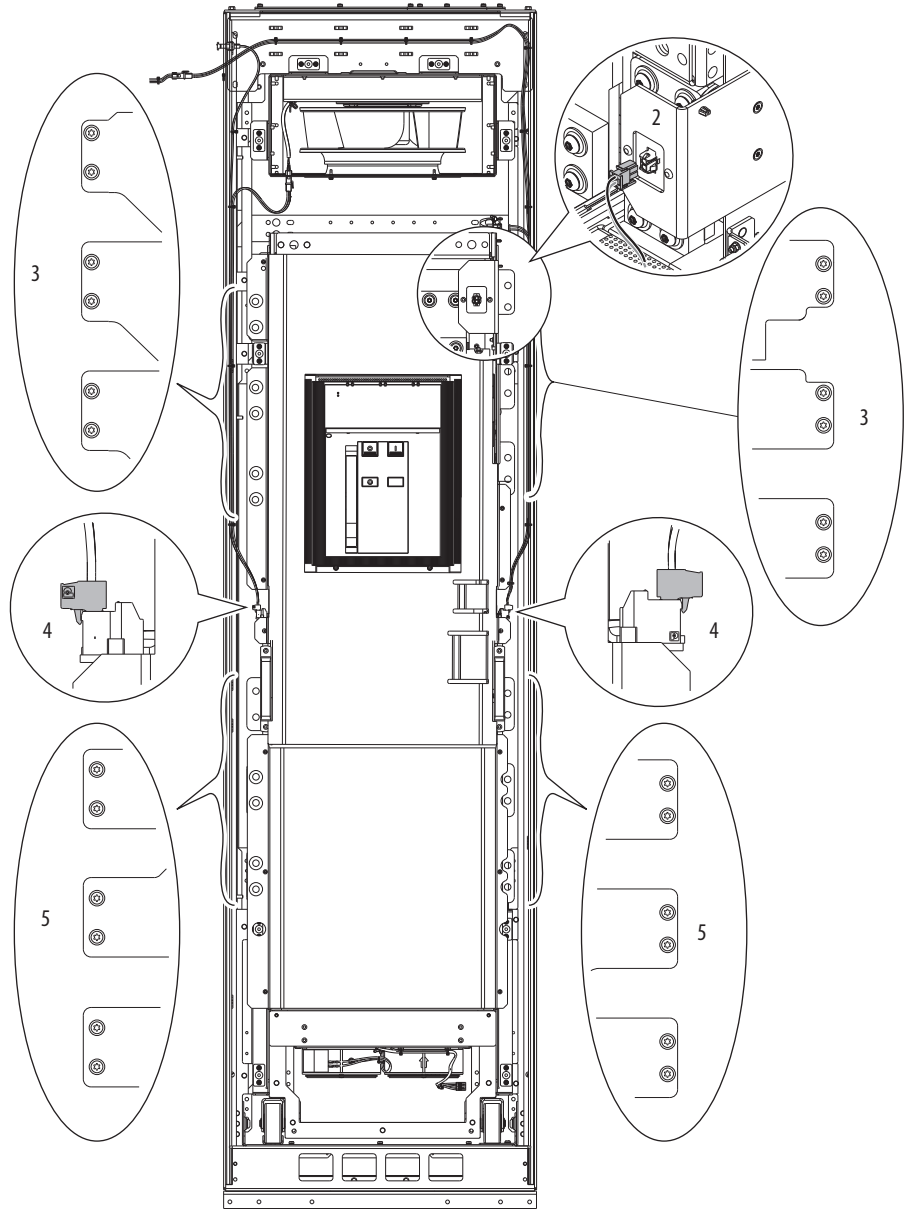
IMPORTANT Before removing the cabinet options assembly, be sure that the cabinet is in its intended installed position. Height adjustments to the roll-out cart cannot be made while carrying the assembly.

1. Open the cabinet door.
2. Disconnect the six captive bolts that connect the cabinet options assembly to the cabinet frame (see number 1).



No.	Description	Torque	Recommended Tool
1	Cabinet options assembly-to-cabinet anchor bolts (six places).	11.3 N·m (100 lb-in)	5 mm hex key (Allen)

3. Disconnect the wiring harnesses and bus connections (see numbers 2, 3, 4, and 5).

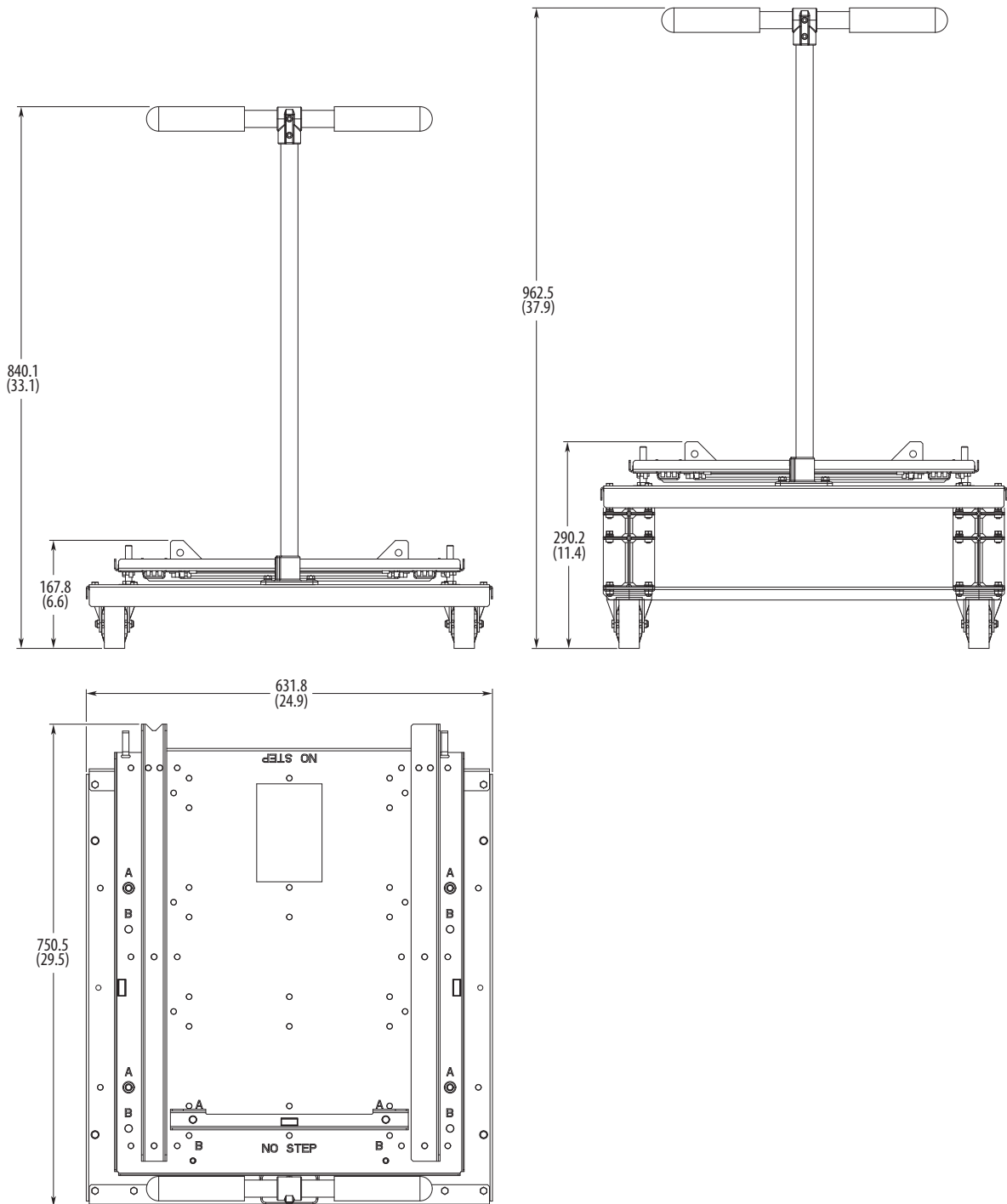


No.	Description	Torque	Recommended Tool
2	Thermostat connection (plug).	N/A	N/A
3	AC input connections (12 places).	22.4 N·m (200 lb·in)	T45 Hexalobular driver with 457 mm (18-in.) extension
4	Terminal block connections (plugs).	N/A	N/A
5	Output reactor connections (12 places).	22.4 N·m (200 lb·in)	T45 Hexalobular driver with 457 mm (18-in.) extension

Prepare the Roll-out Cart

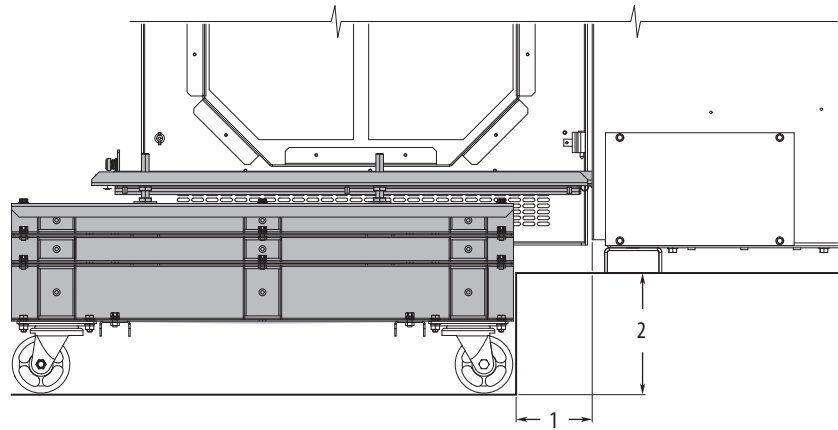
The roll-out cart, catalog number 20-750-CART1-F8, is required to remove the drive assembly from Floor Mount Frame 8...10 drive cabinets.

Figure 90 - Roll-out Cart Dimensions



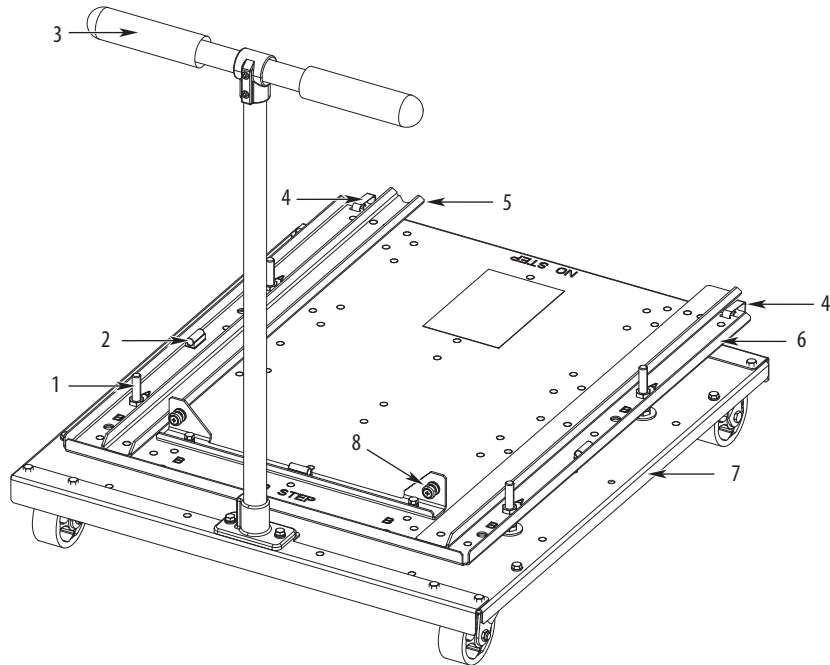
Dimensions are in millimeters and (inches).
 Approximate weight: 27.2 kg (60 lb)
 See [page 140](#) for spacer height combinations.

The roll-out cart can be adjusted for both reach and height.



No.	Description
1	Adjustment for curb offset/reach: 0...114 mm (0...4.5 in.)
2	Adjustable curb height: 0...182 mm (0...7.2 in.)

Figure 91 - Roll-out Cart Features



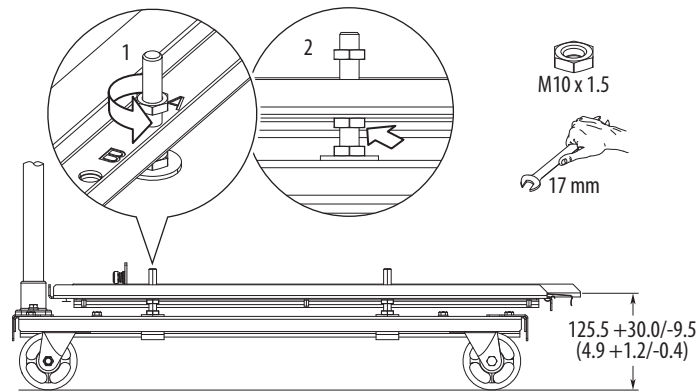
No.	Description
1	Threaded studs and nuts allow precision height and level adjustments (four positions)
2	Bubble levels help with fine adjustment of the cart deck (three positions)
3	Handle
4	Retaining clips positively engage the cart with the drive cabinet (two positions)
5	Alignment track keeps the drive in the correct position
6	Cart deck
7	Cart chassis
8	Drive stop and capture screws

Adjust Roll-out Cart Height Using Threaded Studs and Nuts

The height of the roll-out cart deck can be adjusted using the threaded leveling studs and nuts:

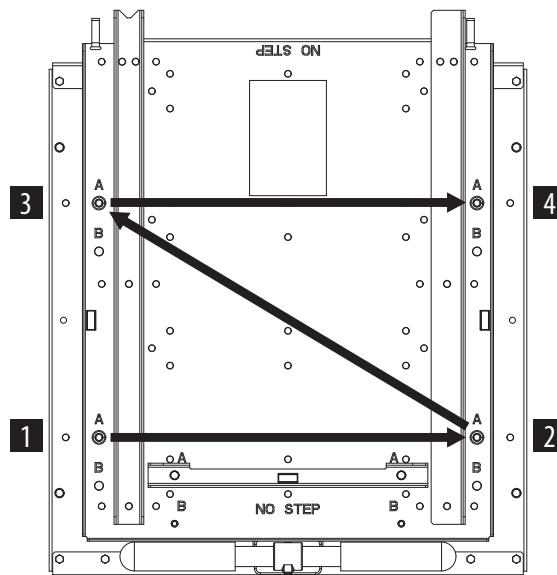
- Maximum height = 155.5 mm (6.1 in.)
- Minimum height = 116 mm (4.6 in.)
- Adjustment range = 30 mm (1.2 in.) up, 9.5 mm (0.4 in.) down from the factory setting of 125.5 mm (4.9 in.)

1. Loosen and back off the top nuts on the four threaded level studs (see number 1).



2. Turn the bottom supporting nuts to raise or lower the cart deck (see number 2). Turn the nut clockwise to lower the deck. Turn the nut counter-clockwise to raise the deck.

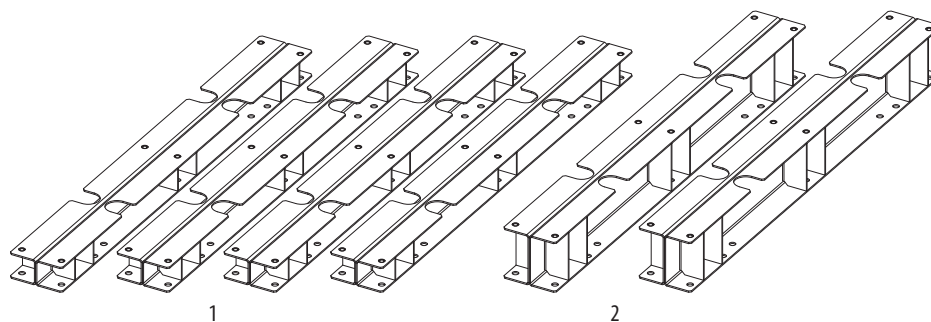
Make uniform half-turn adjustments to each of the four threaded studs in an alternating pattern to help prevent binding and maintain a level orientation.



3. To verify that the deck is level, use the three bubble levels.
4. Tighten the top nuts.

Adjust Roll-out Cart Height Using Spacers

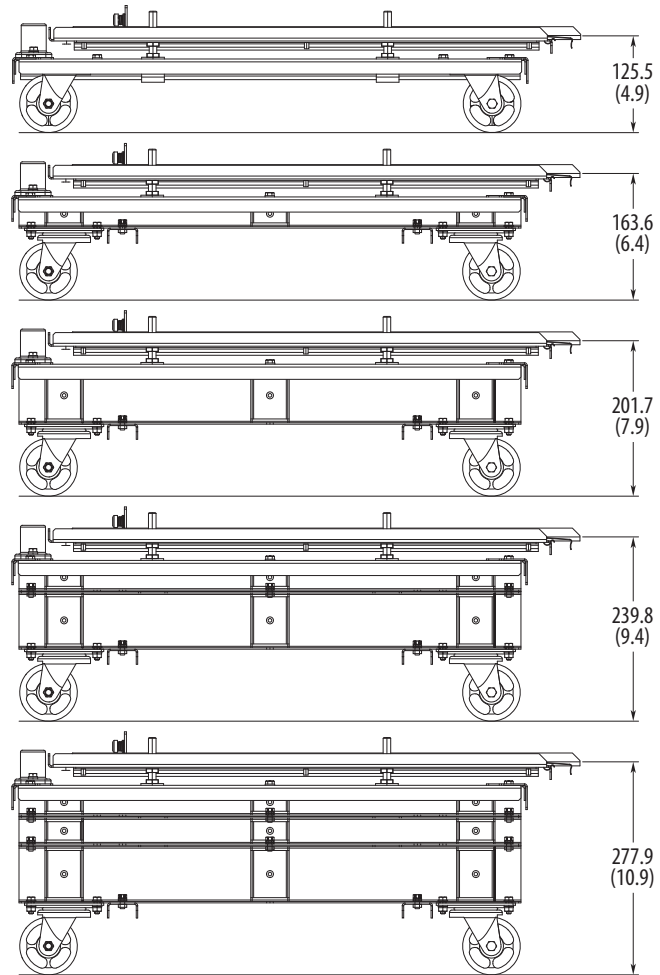
The height of the roll-out cart deck can be adjusted using the I-beam spacers provided.



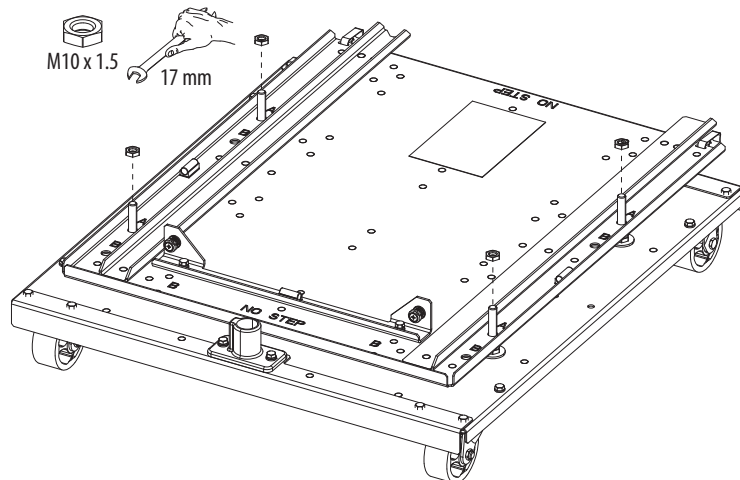
No.	Description
1	Four 38.1 mm (1.5 in.) spacers
2	Two 76.2 mm (3.0 in.) spacers

Spacer Height Combinations

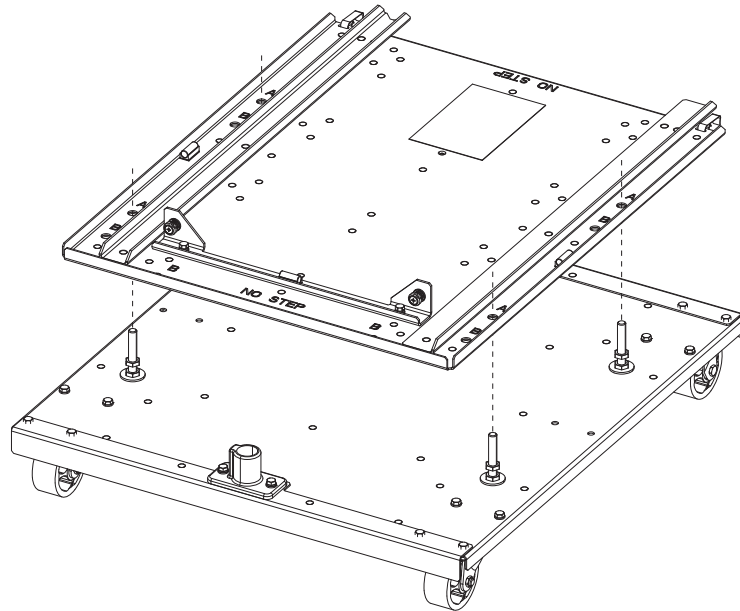
Each of the base heights that are shown here have an adjustment range of +30.0 mm (+1.2 in.) and -9.5 mm (-0.4 in.).



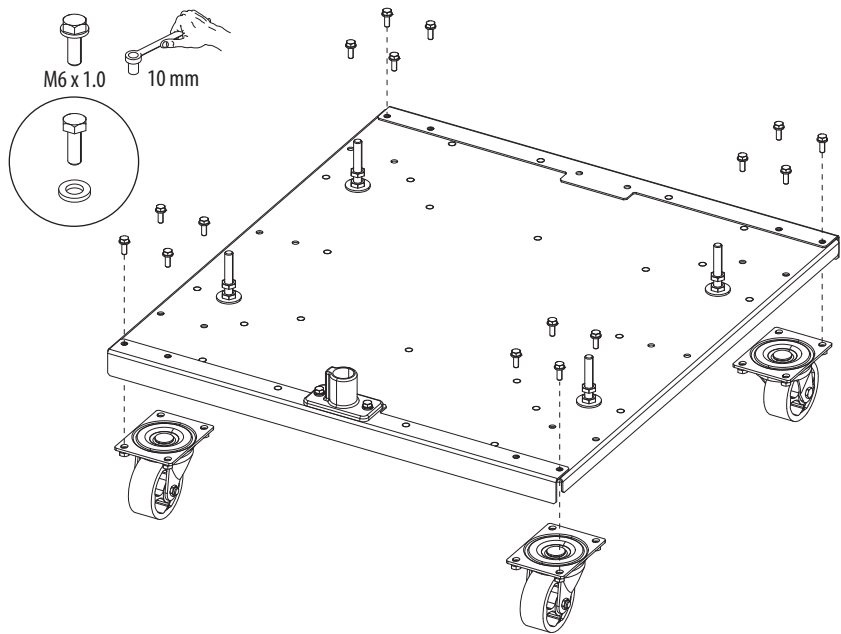
1. Remove the roll-out cart deck by removing the top nuts of the four threaded level studs.



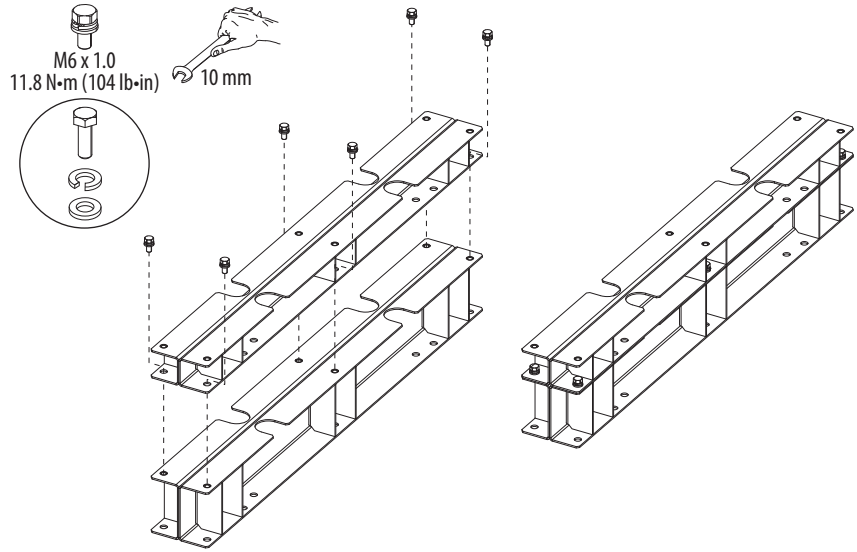
2. Lift the deck off the four threaded level studs.



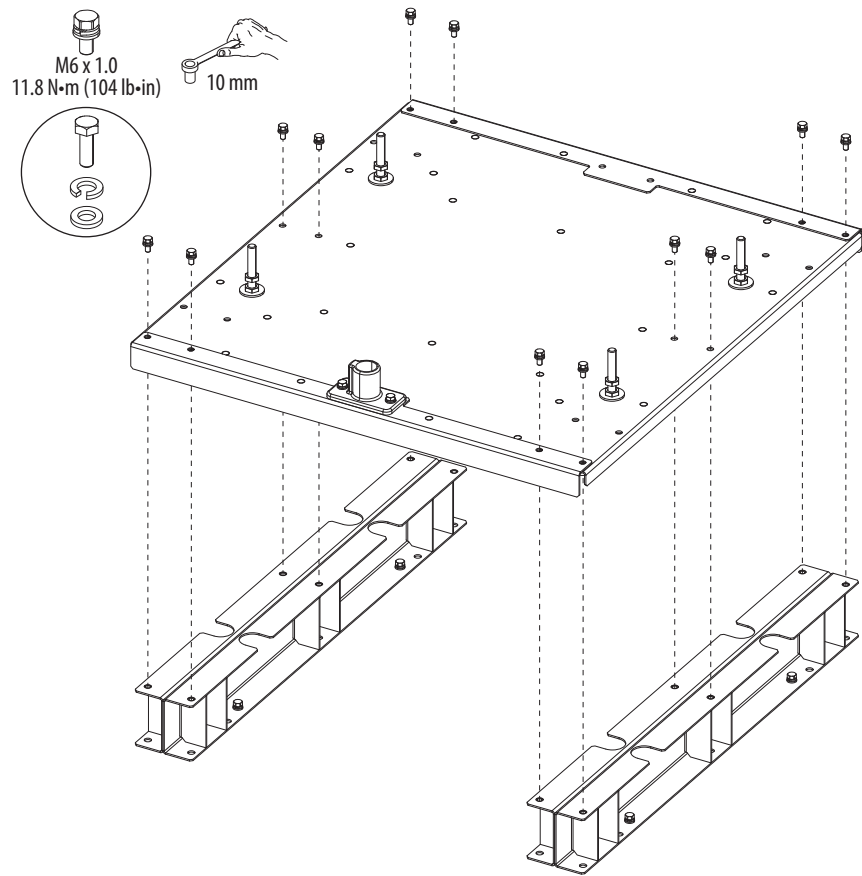
3. Remove the bolts that secure the casters to chassis.



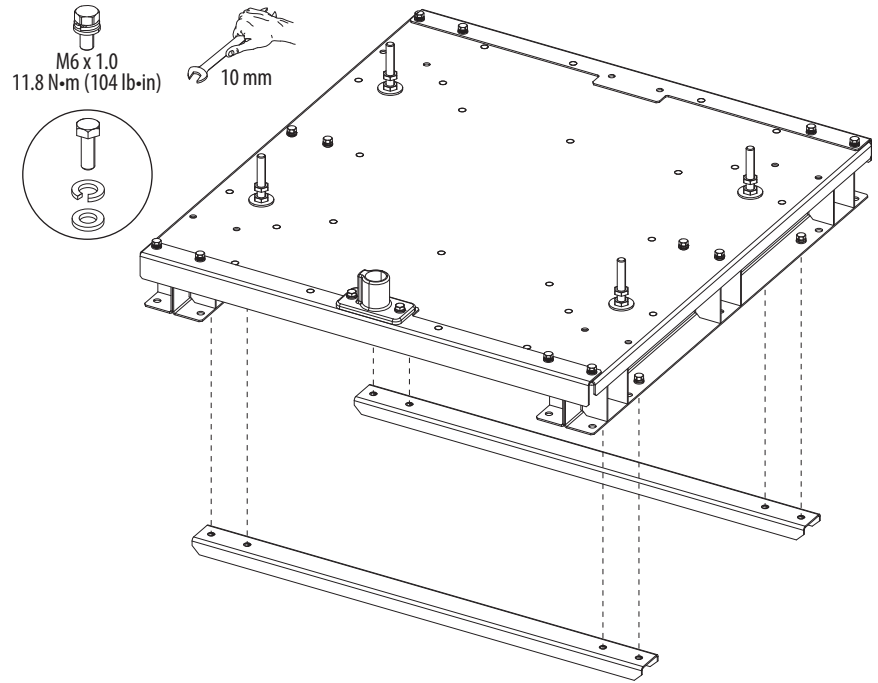
- Select the spacer or spacers required. Combine spacers using bolts provided as needed.



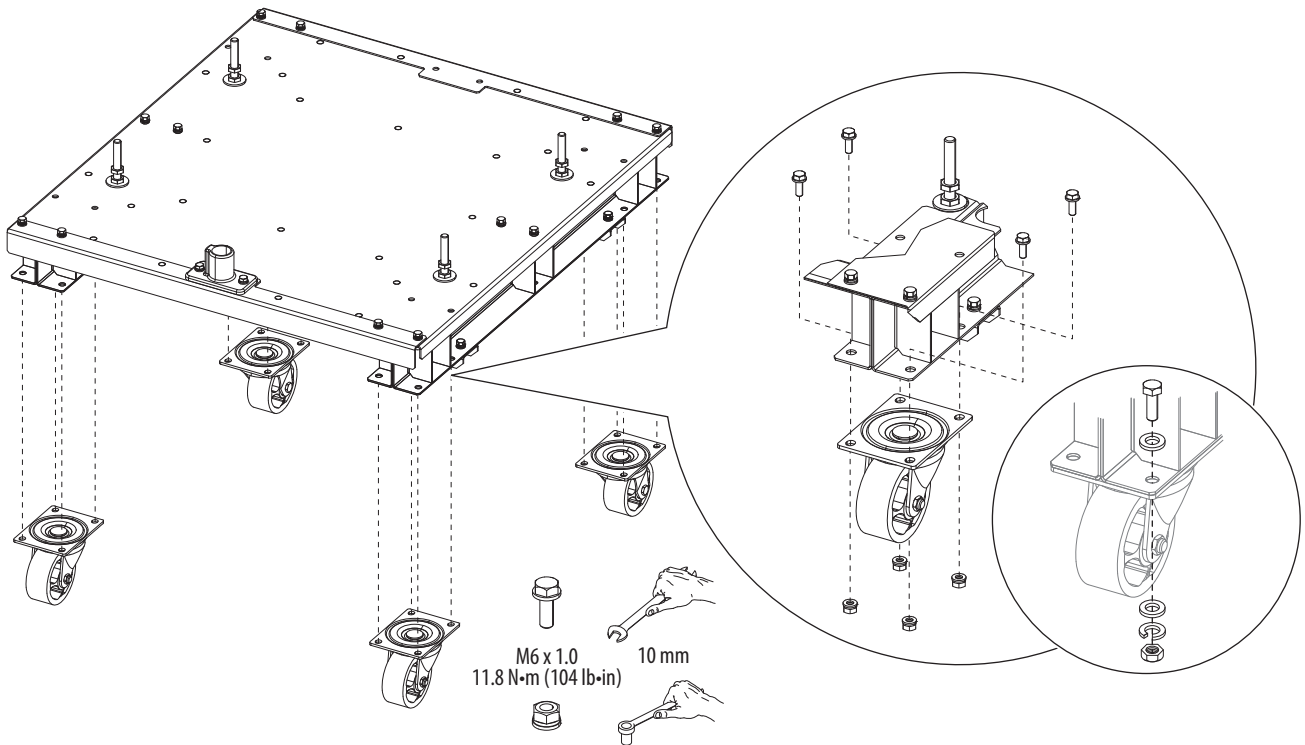
- Bolt the spacer or spacer assembly to the bottom of the cart chassis.



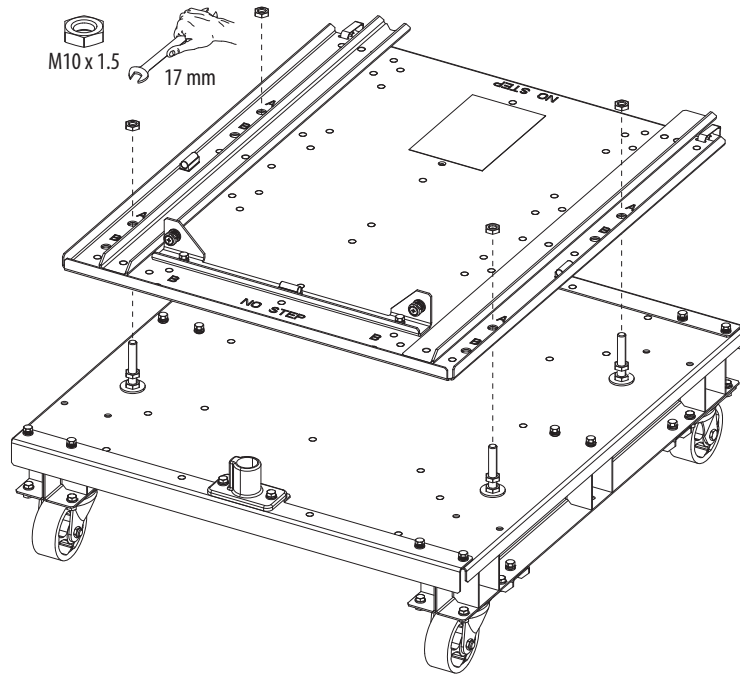
6. Bolt the cross beams to the bottom of the spacers.



7. Bolt the casters to the bottom spacer.



8. Determine reach required and install the deck in position A or position B. See the next section for details.



Adjust Roll-out Cart Reach

See [Figure 92](#) and [Figure 93](#) to adjust the reach of the roll-out cart.

Figure 92 - Reach Position A

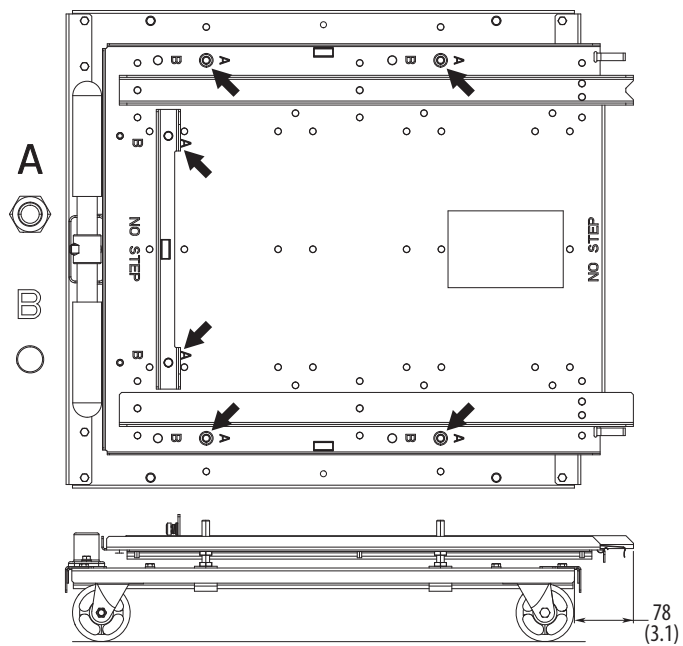
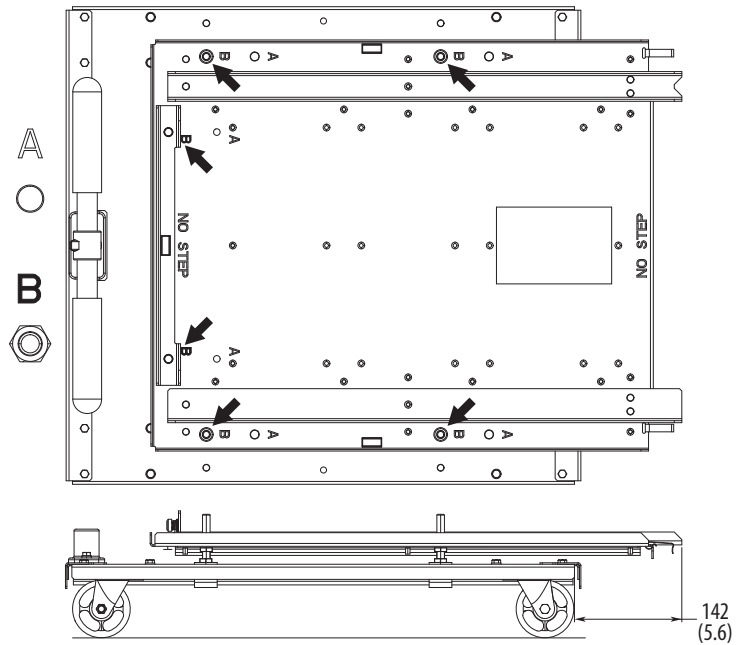


Figure 93 - Reach Position B

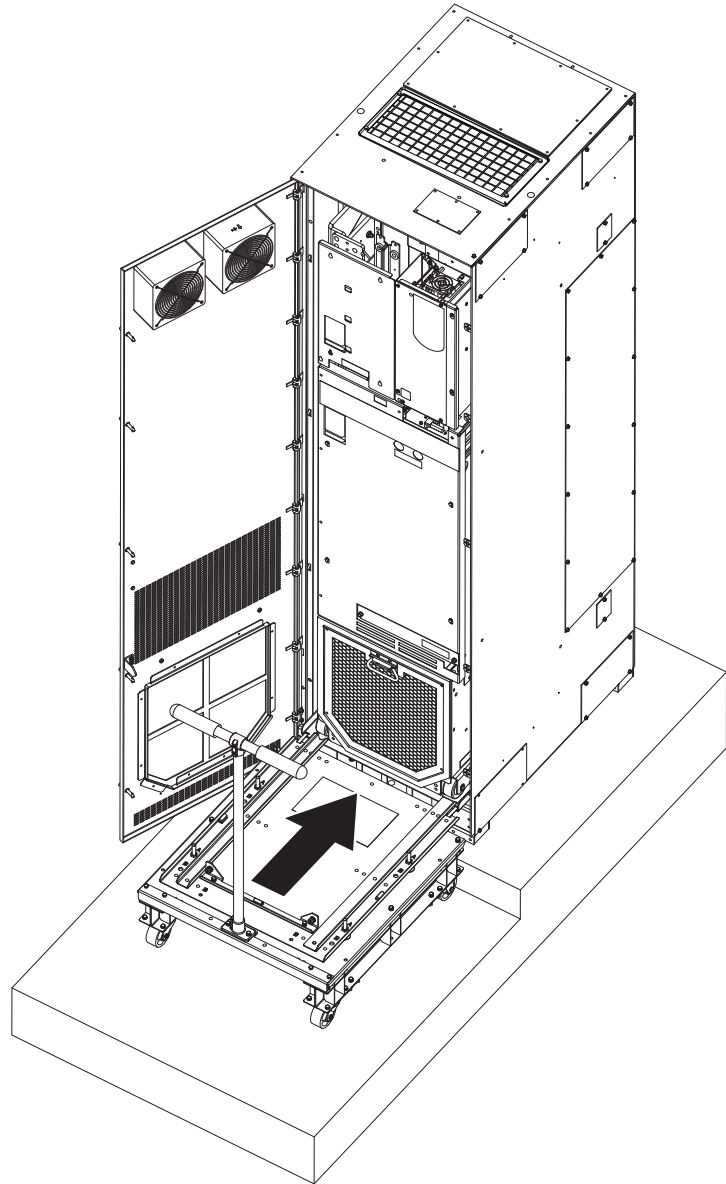


ATTENTION: A tip-over hazard exists. To guard against death, serious personal injury, and/or equipment damage, verify the drive stop (see [Figure 91](#)) is in the same position as the corresponding threaded leveling studs. The weight of the drive must be evenly distributed over the cart wheels.

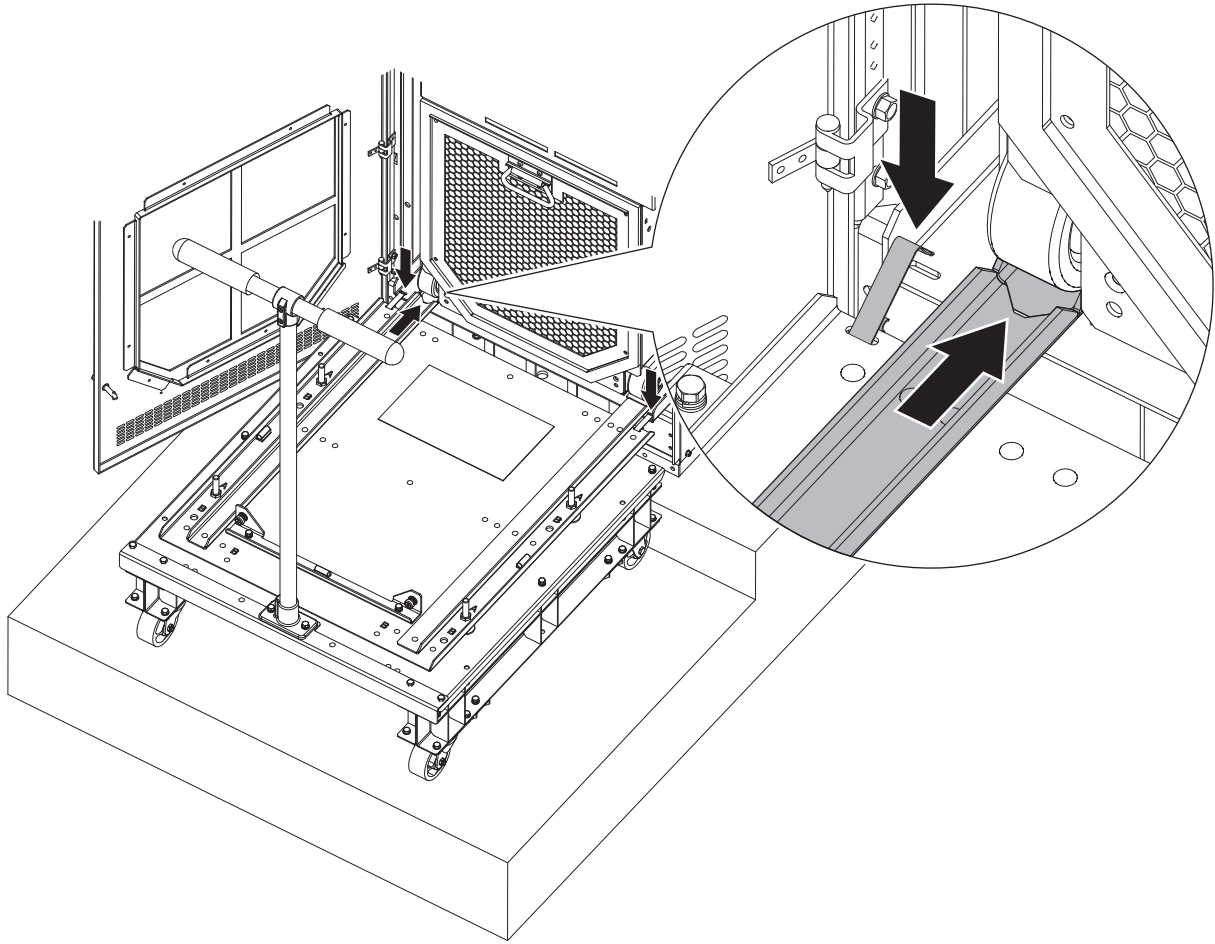
Remove Drive Assembly or Cabinet Options Assembly

This section assumes that the steps in [Release Drive Assembly from Cabinet](#) or [Release Cabinet Options Assembly from Cabinet](#) and [Prepare the Roll-out Cart](#) have been completed.

1. Carefully push the prepared roll-out cart to the front of the drive cabinet.

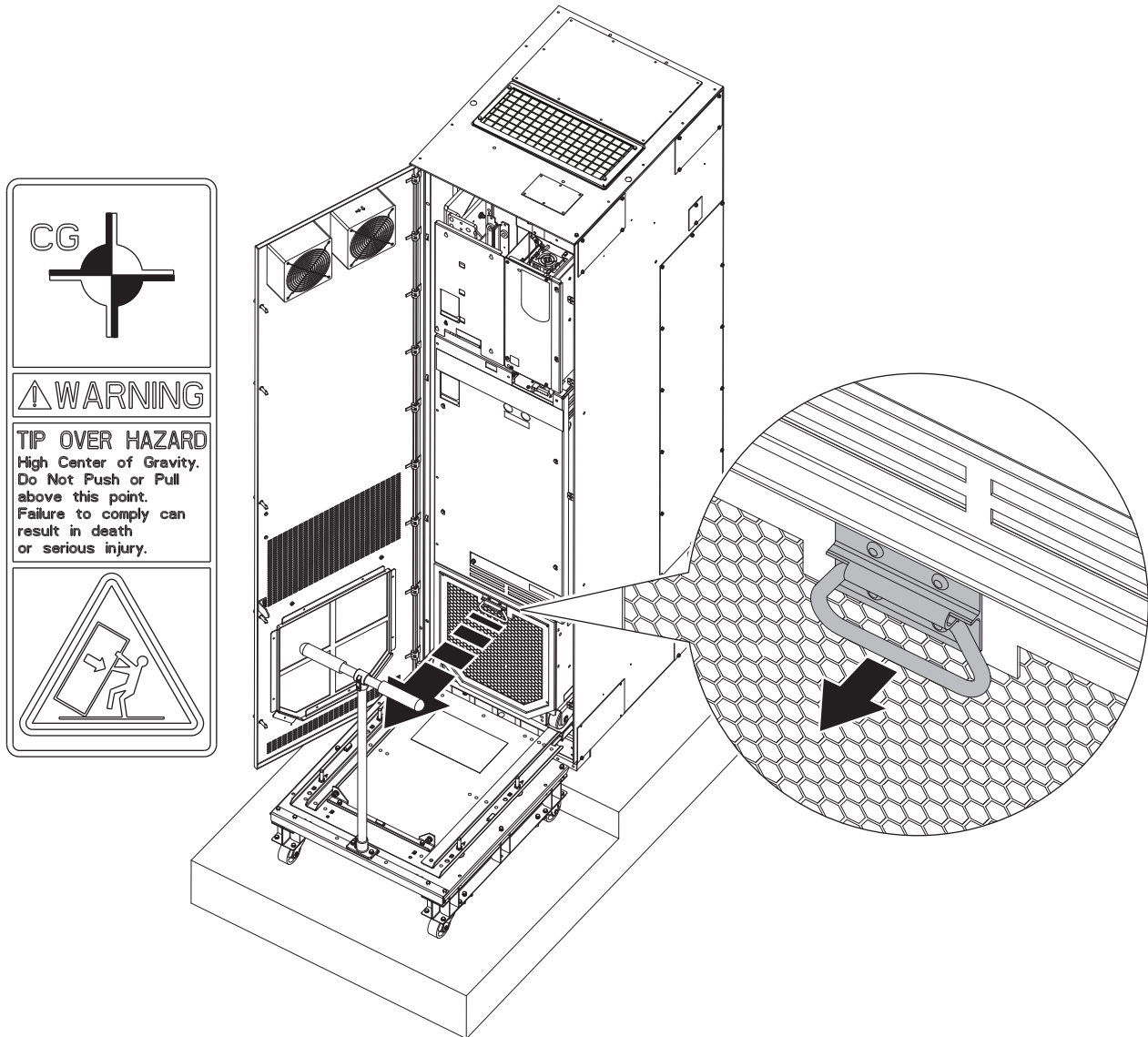


2. Use the alignment track to center the roll-out cart and engage the two retaining clips.



Drive Assembly – Floor Mount Frames 8...10

To pull the drive assembly on to the roll-out cart, slowly and smoothly pull the handle above the fan intake.

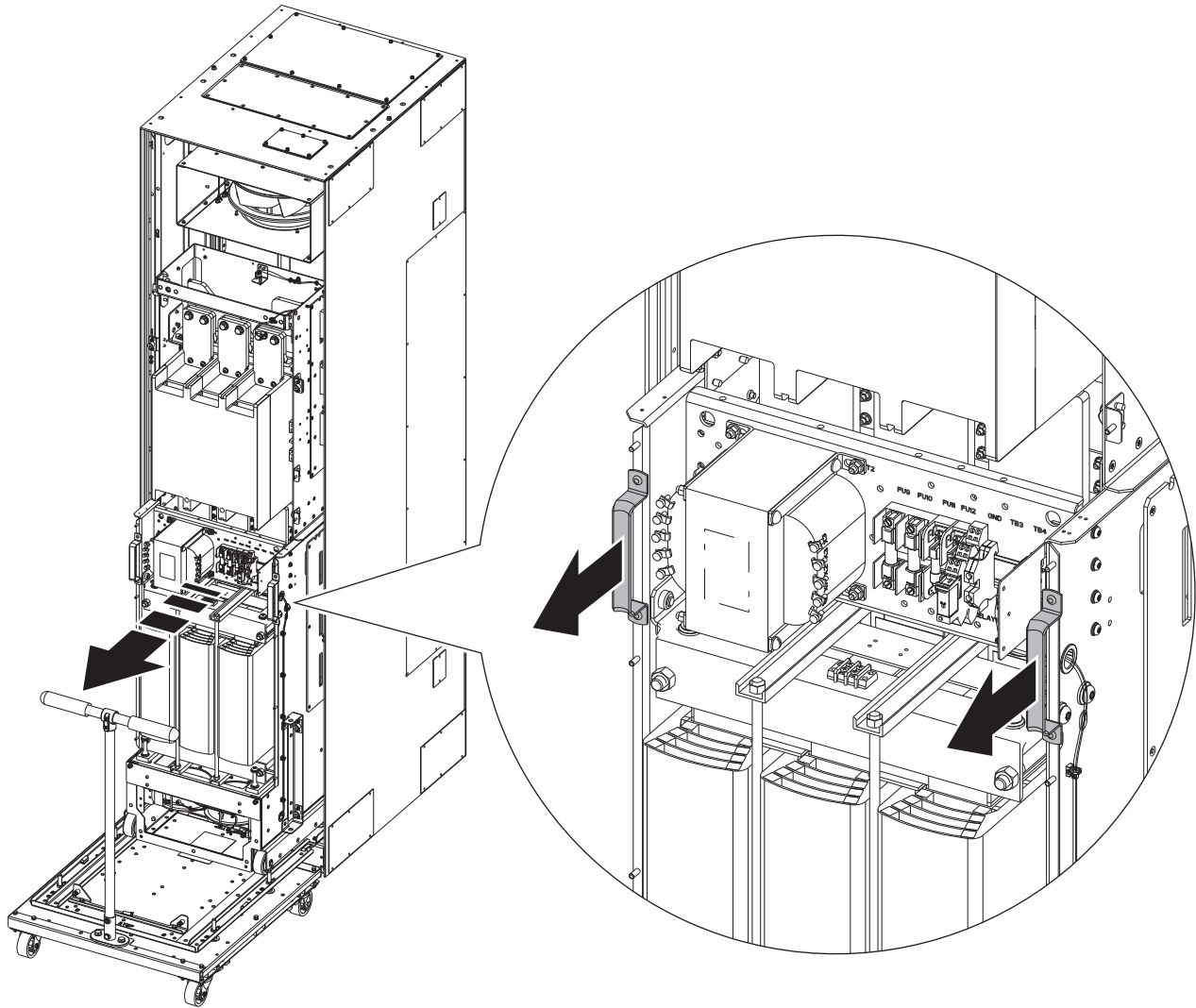


ATTENTION: This drive has a high center of gravity and a tip-over hazard exists. To guard against death, serious personal injury, and/or equipment damage, do not subject the drive to high rates of acceleration or deceleration while transporting. Do not push or pull above the points that are indicated on the drive.

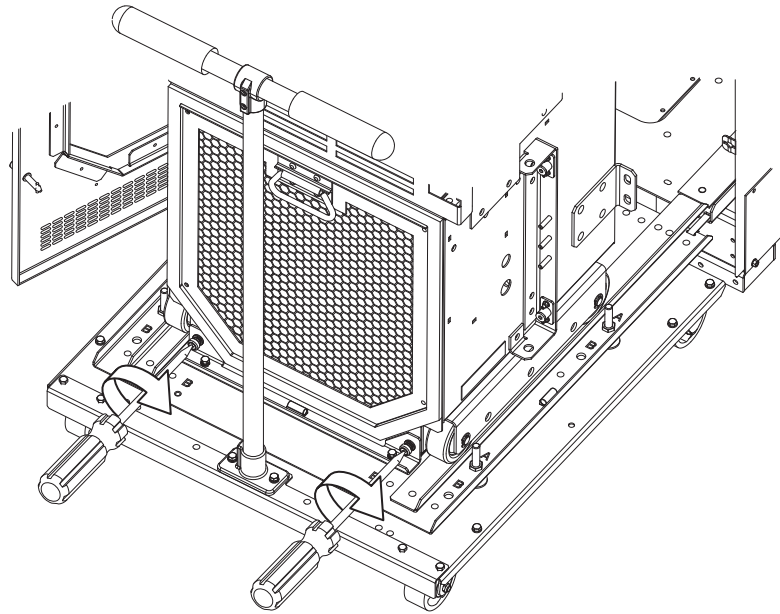
Cabinet Options Assembly – Floor Mount Frames 9 and 10

To pull the drive assembly on to the roll-out cart, slowly and smoothly pull the handle.

See [page 136](#) for information on related electrical connections.



3. Engage and tighten the capture screws to lock the drive assembly or cabinet options assembly to the Stop.



4. To roll the drive assembly or cabinet options assembly away from the cabinet, release the retaining clips.



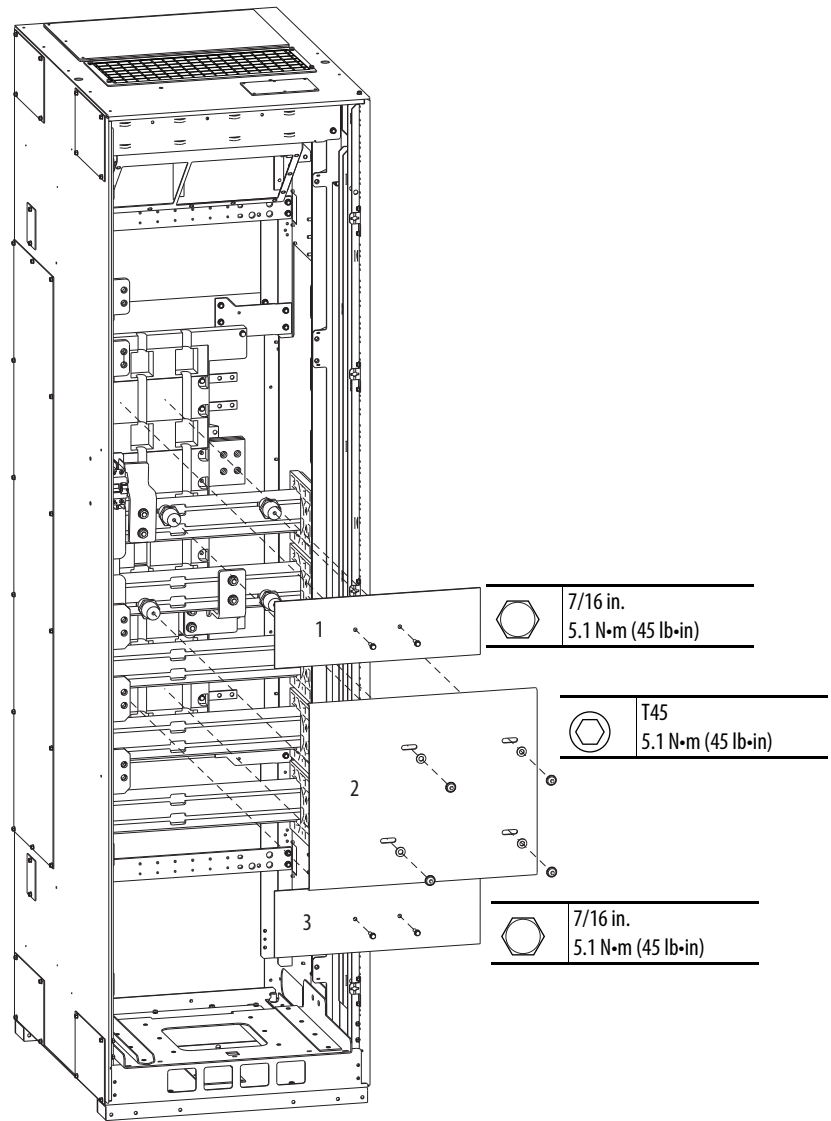
ATTENTION: The drive assembly and cabinet options assembly have a high center of gravity and a tip-over hazard exists. To guard against death, serious personal injury, and/or equipment damage, do not subject the drive assembly or cabinet options assembly to high rates of acceleration or deceleration while transporting. Do not push or pull above the points indicated.

IMPORTANT Take precautions when using the roll-out cart to move the drive.

- Only use the roll-out cart to move the drive or cabinet options a short distance to gain access to the cabinet interior.
- Do not attempt to move the drive or cabinet options on the roll-out cart with the handle alone. The roll-out cart handle is designed for positioning the empty cart.
- Only use the cart on a smooth and level surface.
- Verify that the path for the cart is clear of debris and obstacles.
- Avoid sloped and rough surfaces.
- Always move the drive or cabinet options slowly.

Remove DC Back Bus Guard – Common DC Input Drives

To complete the power wiring connections in the common DC input drive cabinet, remove the DC back bus guard to access the power terminals (see number 2).



No.	Description
1	120/240V control rail guard
2	DC back bus guard
3	120V interruptible power supply (UPS) rail guard

Reinstall Drive Assembly or Cabinet Options Assembly

After cabinet installation and power wiring are complete, reinstall the drive assembly or cabinet options assembly in the cabinet.

1. Align the roll-out cart and drive assembly or cabinet options with the cabinet and lock into position according to the procedures described in [Remove Drive Assembly or Cabinet Options Assembly on page 146](#).
2. Disengage the capture screws and slowly push the drive assembly or cabinet options assembly into the cabinet.
3. Secure the assembly-to-cabinet connections then the bus connections. See [Side Shield and Bus Bar Connections on page 127](#) for torque values.

Notes:

Power Wiring

Most start-up difficulties are the result of incorrect wiring. Verify that all wiring is done as instructed. Read and understand all items in this chapter before you begin the installation.



ATTENTION: The following information is a guide for proper installation. Rockwell Automation does not assume responsibility for the compliance or the noncompliance to any code, national, local or otherwise for the proper installation of this drive or associated equipment. A hazard of personal injury and/or equipment damage exists if codes are ignored during installation.

Grounding Requirements

Ground impedance must conform to the requirements of national and local industrial safety regulations and/or electrical codes. Periodically check the integrity of all ground connections.

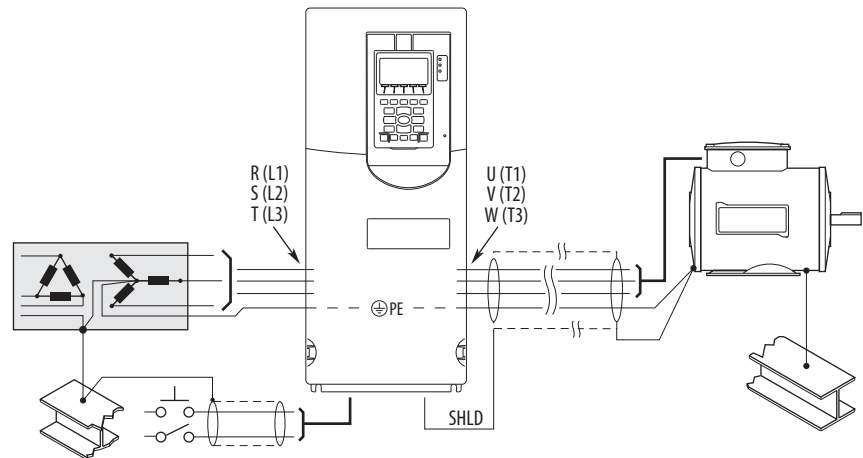
IMPORTANT The drive Safety Ground-PE must be connected to system ground.

Recommended Grounding Scheme

Use one point (PE only) grounding scheme. Some applications can require alternate grounding schemes, see Wiring and Grounding Guidelines for Pulse-width Modulated (PWM) AC Drives, publication [DRIVES-IN001](#), for more information. These applications include installations with long distances between drives or drive line-ups, which could cause large potential differences between the drive or line-up grounds.

For installations within a cabinet, use one safety ground point or ground bus bar connected directly to building steel. All circuits including the AC input ground conductor can be grounded independently and directly to this point/bar.

Figure 94 - Typical Grounding



Shield Termination – SHLD

The shield terminal (see [page 159](#)) provides a grounding point for the motor cable shield. It must be connected to an earth ground by a separate continuous lead. Connect the motor cable shield to this terminal on the drive (drive end) and the motor frame (motor end). Use a shield terminating or EMI clamp to connect shield to this terminal.

RFI Filter Grounding

An optional RFI filter can result in relatively high ground leakage currents. Therefore, the filter must only be used in installations with grounded AC supply systems and be permanently installed and solidly grounded (bonded) to the building power distribution ground. Be sure that the incoming supply neutral is solidly connected (bonded) to the same building power distribution ground. Do not use flexible cables for ground connections, and do not use any form of plug or socket that would permit inadvertent disconnection. Some local codes can require redundant ground connections. Periodically check the integrity of all connections. See the instructions that are supplied with the filter.

Power Cable Types Acceptable for 200...600 Volt Installations

For detailed information on various cable types that are acceptable for drive installations, see *Wiring and Grounding Guidelines for Pulse-width Modulated (PWM) AC Drive*, publication [DRIVES-IN001](#).



ATTENTION: National Codes and standards (NEC, BSI, and so forth) and local codes outline provisions for safely installing electrical equipment. Installation must comply with specifications regarding wire types, conductor sizes, branch circuit protection, and disconnect devices. Failure to do so can result in personal injury and/or equipment damage.

Wire Recommendations

Type	Description	Min Insulation Rating
Power ⁽¹⁾⁽²⁾	Standard <ul style="list-style-type: none"> • Four tinned copper conductors with XLPE insulation. • Copper braid/aluminum foil combination shield and tinned copper drain wire. • PVC jacket. 	600V, 75 °C (167 °F)

(1) Separate control and signal wires from power wires by at least 0.3 meters (1 foot).

(2) The use of shielded wire for AC input power is not necessary, but is always recommended.

Motor Considerations

Due to the operational characteristics of AC variable frequency drives, motors with inverter grade insulation systems that are designed to meet or exceed NEMA MG1 Part 31.40.4.2 standards for resistance to spikes of 1600 volts are recommended.

Follow all guidelines when using non-inverter grade motors to avoid premature motor failures. See *Wiring and Grounding Guidelines for Pulse-width Modulated (PWM) AC Drives*, publication [DRIVES-IN001](#), for recommendations.

Terminal Block Specifications

Table 11 - Wall Mount Frames 1...5 Power Terminal Block

Frame	Wire Size Range ^{(1) (2)}		Strip Length mm (in.)	Recommended Torque N·m (lb·in)	Recommended Tools
	Max mm ² (AWG)	Min mm ² (AWG)			
1	4.0 (10)	0.2 (24)	8.0 (0.31)	0.57 (5.0)	#2 Pozidriv, M3 x 7
2					
3	16.0 (6)	0.5 (20)	10.0 (0.39)	1.2 (10.6)	#2 flat screwdriver
4	25.0 (3)	2.5 (14)	10.0 (0.39)	2.7 (24.0)	#2 Pozidriv 492-C Phillips 0.25 in. flat screwdriver
5	35.0 (1)	10.0 (8)	12.0 (0.5)	4.0 (35.0)	#2 Pozidriv 492-C Phillips 0.25 in. flat screwdriver

(1) Maximum/minimum wire sizes that the terminal block can accept. These sizes are not recommendations.

(2) Terminal blocks are designed to accept one wire.

Table 12 - Wall Mount Frames 6 and 7 Power Terminal Block

Frame	Maximum Lug Width ⁽¹⁾ mm (in.)	Recommended Torque N·m (lb·in)	Terminal Bolt Size	Recommended Tool
6	34.6 (1.36)	11.3 (100)	M8 x 1.25	13 mm hex socket
7	43.5 (1.71)			

(1) Customers supply the lugs.

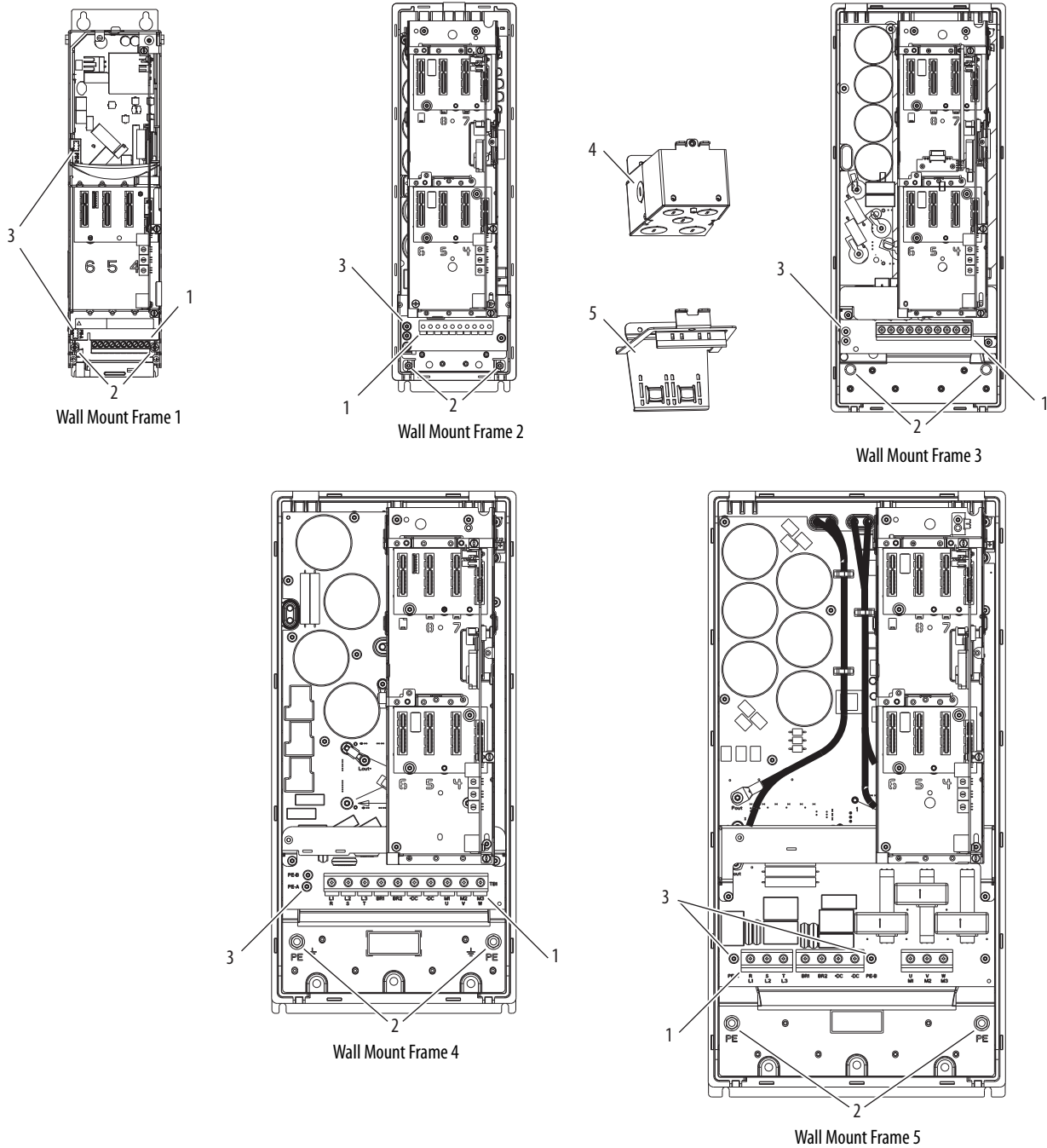
Table 13 - Wall Mount Frames 1...7 PE Grounding Stud

Frame	Recommended Torque N·m (lb·in)	Terminal Bolt/Screw Size	Recommended Tool
1	1.36 (12)	M4	T20 hexalobular (Torx) #1 flat screwdriver
2	1.36 (12)	M4	7 mm hex deep socket
3	3.4 (30)	M6	10 mm hex deep socket
4			
5			
6	11.3 (100)	M8	13 mm hex socket
7			

Three-phase Terminal Locations

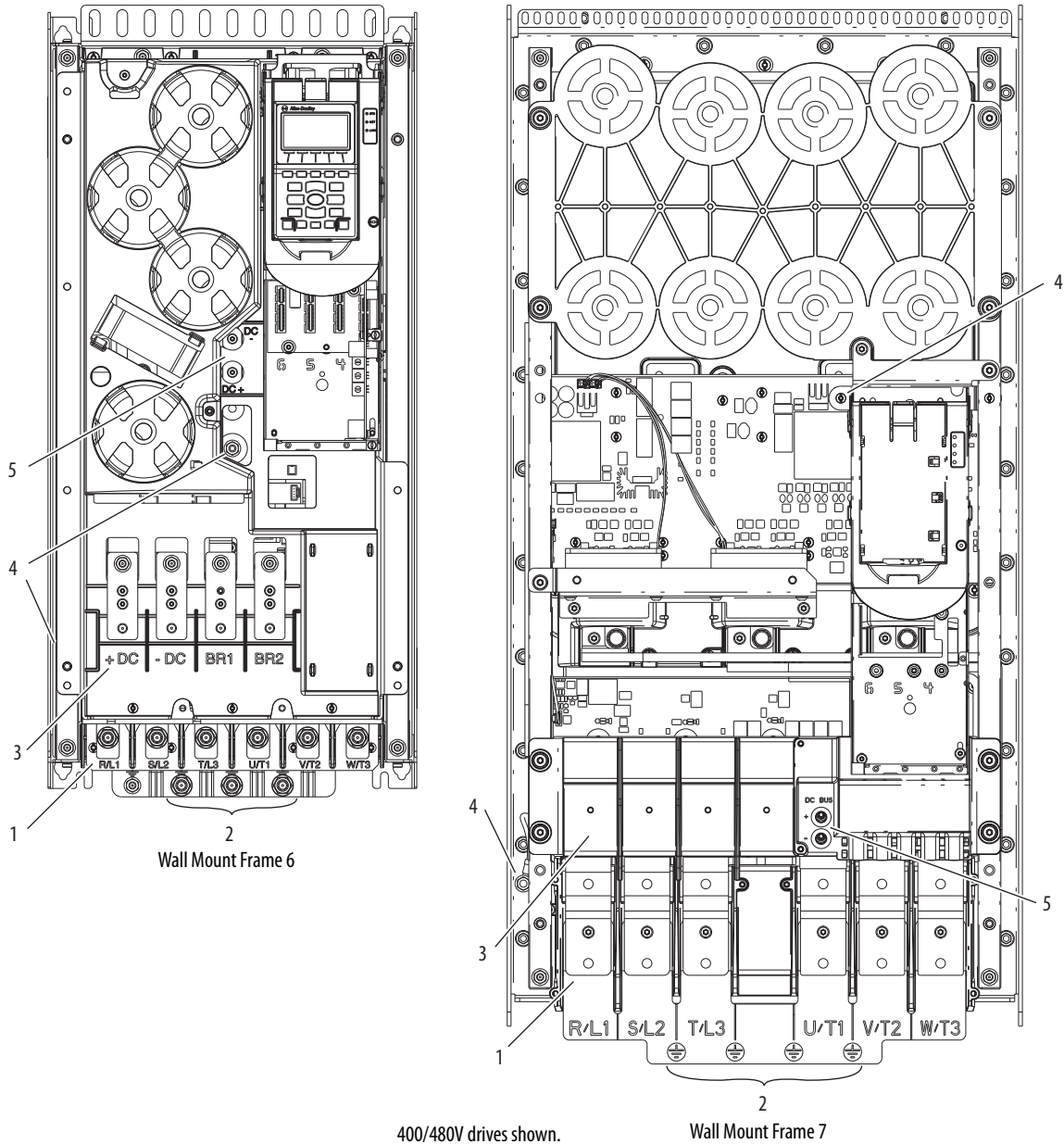
This section shows the locations of the power block and termination points.

Figure 95 - Wall Mount Frames 1...5 Power Terminal Block and Termination Point Locations



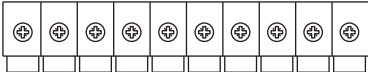
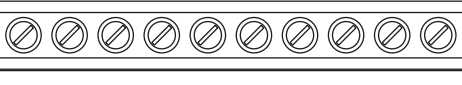
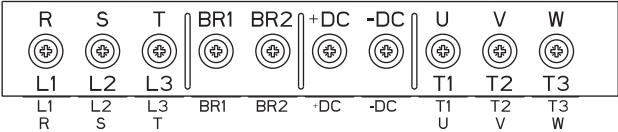
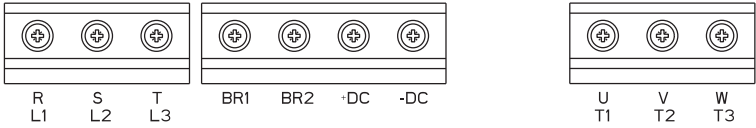
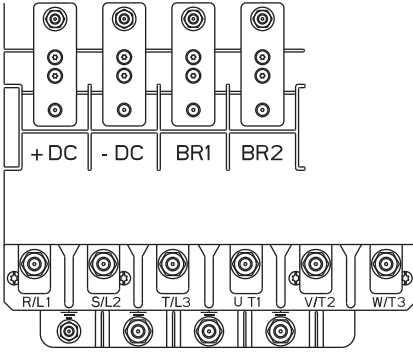
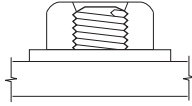
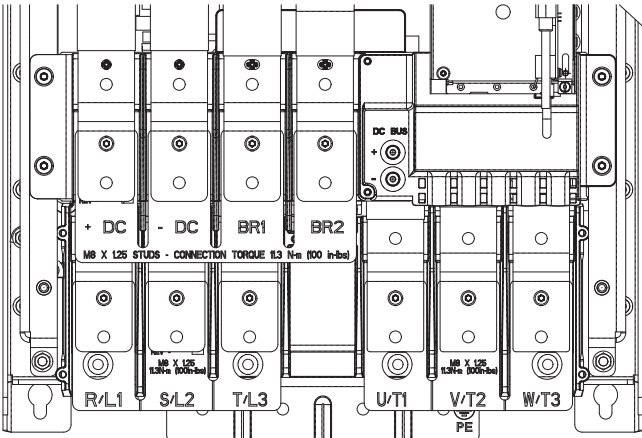
No.	Name	Description
1	Power terminal block	R/L1, S/L2, T/L3, BR1, BR2, +DC, -DC, U/T1, V/T2, W/T3
2	PE grounding studs	Terminating point to chassis ground for incoming AC line and motor shields.
3	PE-A and PE-B	MOV and CMC jumpers
4	Optional NEMA/UL Type 1 conduit box	Terminating point to chassis ground for incoming AC line, motor shields, and control wire shields.
5	Optional EMC plate	Terminating point to chassis ground for incoming AC line, motor shields, and control wire shields.

Table 14 - Wall Mount Frames 6 and 7 Power Terminal and Termination Point Locations



No.	Name	Description
1	Power terminals	R/L1, S/L2, T/L3, U/T1, V/T2, W/T3
2	PE grounding studs	Terminating point to chassis ground for incoming AC line and motor shield.
3	DC Bus and brake terminals	+DC, -DC, BR1, BR2 (optional)
4	PE-A and PE-B	MOV and CMC jumpers
5	DC+ and DC-	Bus voltage test points


Wall Mount Frames 1...7 AC Input Power Terminals

Frame	Power Terminal Blocks
1 2	 <p>L1 L2 L3 BR BR + - T1 T2 T3 R S T 1 2 DC DC U V W</p>
3	 <p>L1 L2 L3 BR BR + - T1 T2 T3 R S T 1 2 DC DC U V W</p>
4	 <p>R S T BR1 BR2 +DC -DC U V W L1 L2 L3 BR1 BR2 +DC -DC T1 T2 T3 R S T BR1 BR2 +DC -DC U V W</p>
5	 <p>R S T BR1 BR2 -DC -DC U V W L1 L2 L3 BR1 BR2 +DC -DC T1 T2 T3</p>
6 ⁽¹⁾⁽²⁾	 <p>+DC -DC BR1 BR2 R/L1 S/L2 T/L3 U/T1 V/T2 W/T3</p> <p>When nuts are fully seated on the Frame 6 power terminals, the stud does not extend beyond the top edge of the nut. Thread engagement is sufficient for a secure connection.</p> 
7 ⁽¹⁾	 <p>+DC -DC BR1 BR2 R/L1 S/L2 T/L3 U/T1 V/T2 W/T3 PE</p> <p>MB X 126 STUDS - CONNECTION TORQUE 11.3 N-m (100 In-lbs)</p>

(1) DC Bus Terminals are optional on Frame 6 and 7 drives: catalog number position 5 or install kit number 20-750-DCBB1-F6 (Frame 6) or 20-750-DCBB1-F7 (Frame 7).
Dynamic Brake Resistor Terminals are optional on Frame 6 and 7 drives: catalog number position 12.
See Catalog Number Explanation on [page 17](#).

(2) If the use of two conductors is desired, an AC Terminal Extension Kit (20-750-ACTE-F6) is available for Frame 6 drives.

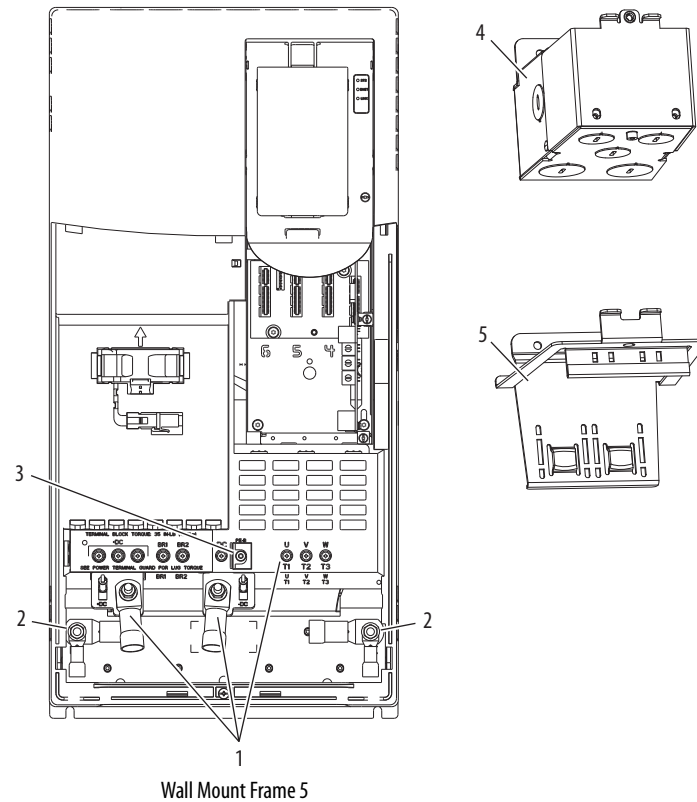
Table 15 - Terminal Designations

Terminal	Description	Notes
+DC	DC bus (+)	DC input power or dynamic brake chopper
-DC	DC bus (-)	DC input power or dynamic brake chopper
BR1	DC brake (+)	Dynamic brake resistor connection (+)
BR2	DC brake (-)	Dynamic brake resistor connection (-)
U	U (T1)	Motor connections ⁽¹⁾
V	V (T2)	
W	W (T3)	
R	R (L1)	AC line input power
S	S (L2)	
T	T (L3)	
PE / 	PE ground	Terminating point to chassis ground for incoming AC line and motor shield.

(1) **IMPORTANT:** Motors with NEMA MG1 Part 31.40.4.2 inverter grade insulation systems are recommended. If you intend to connect a motor that is not rated inverter grade, see Wiring and Grounding Guidelines for Pulse-width Modulated (PWM) AC Drives, publication [DRIVES-IN001](#) for recommendations.

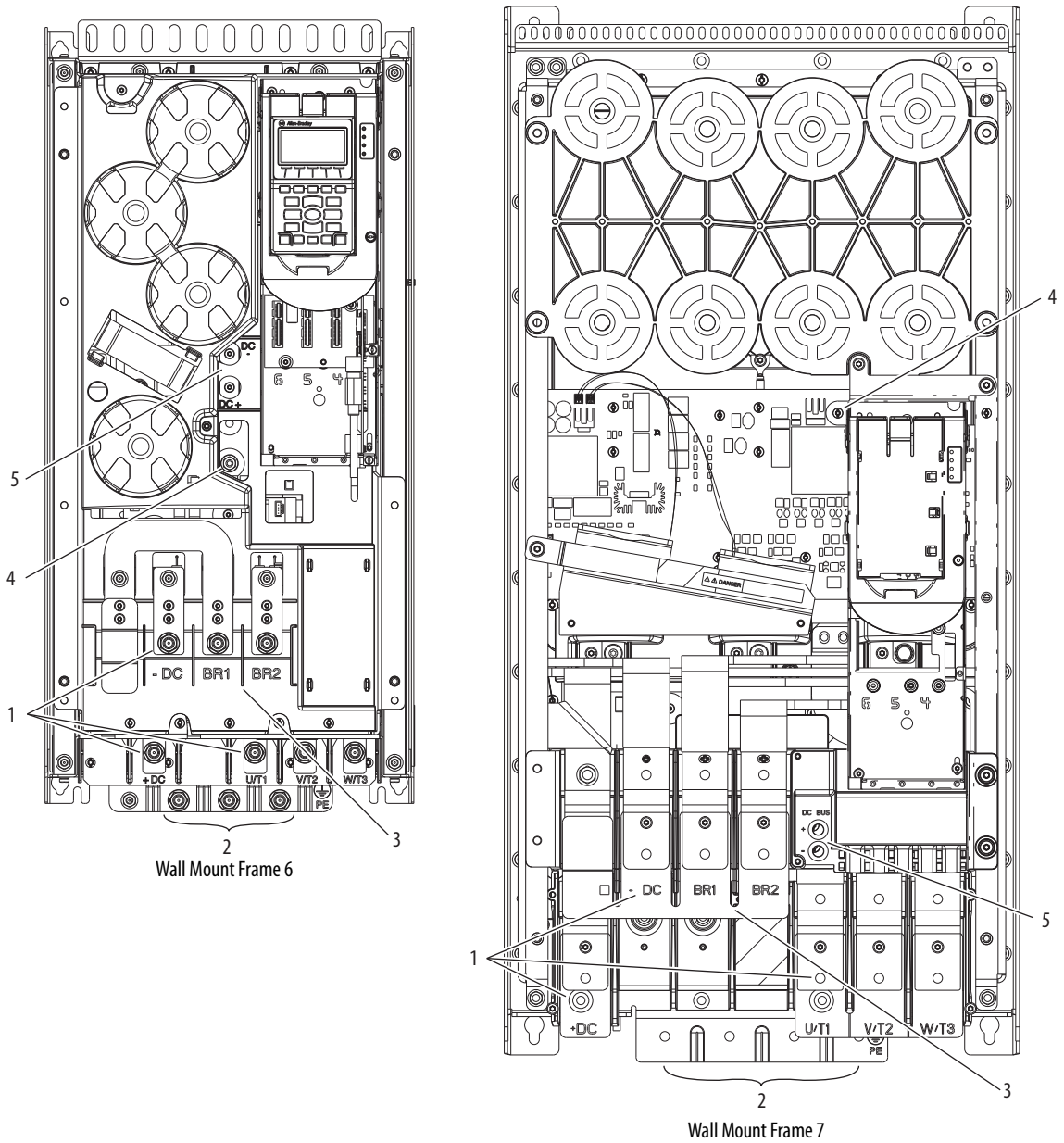
Wall Mount Frames 5...7 Common DC Input Terminal Locations

Figure 96 - Wall Mount Frame 5 Common DC Input Power Terminal and Termination Point Locations



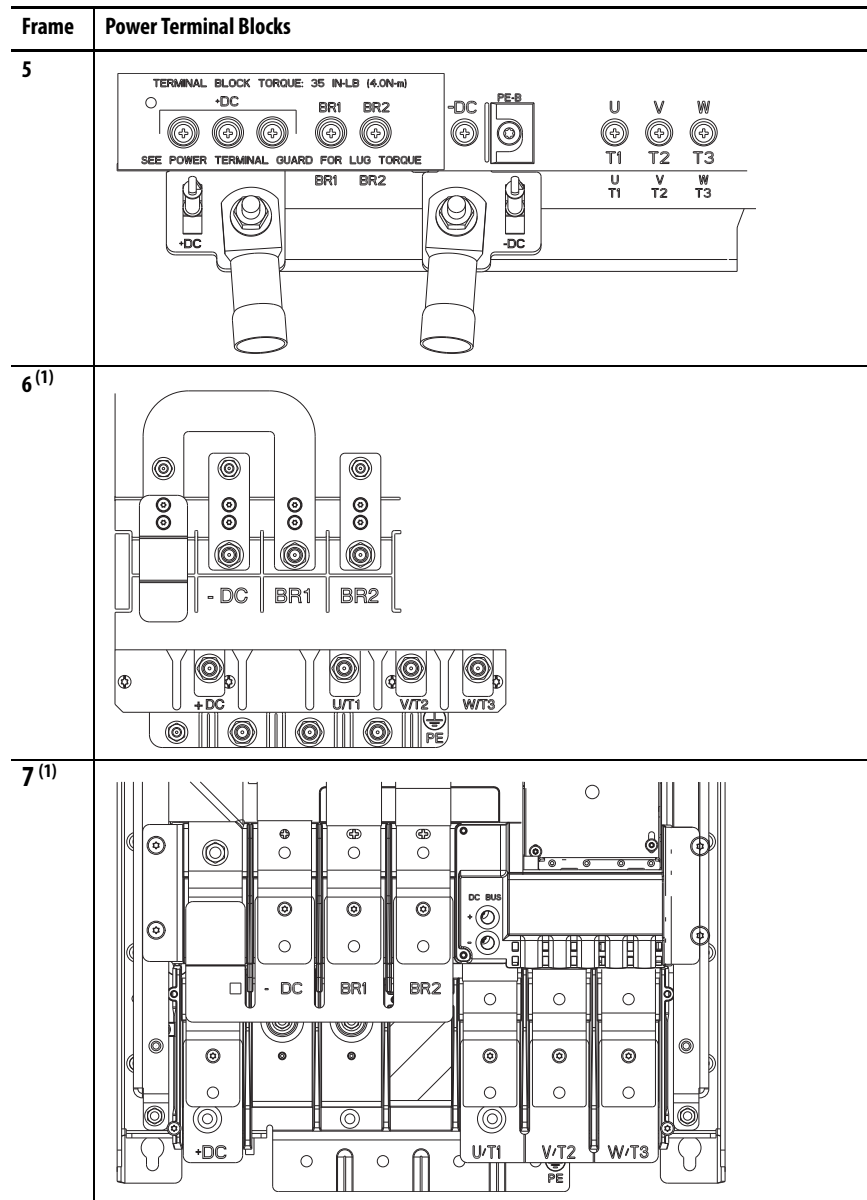
No.	Name	Description
1	Power terminal connections	+DC, -DC, U/T1, V/T2, W/T3
2	PE grounding studs	Terminating point to chassis ground for incoming DC line and motor shields.
3	PE-B	CMC jumper screw
4	Optional NEMA/UL Type 1 conduit box	Terminating point to chassis ground for incoming AC line, motor shields, and control wire shields.
5	Optional EMC plate	Terminating point to chassis ground for incoming AC line, motor shields, and control wire shields.

Figure 97 - Wall Mount Frames 6 and 7 Common DC Input Power Terminal and Termination Point Locations



No.	Name	Description
1	Power terminals	+DC, -DC, U/T1, V/T2, W/T3
2	PE grounding studs	Terminating point to chassis ground for incoming DC line and motor shield.
3	DC Bus and brake terminals	+DC, -DC, BR1, BR2
4	PE-B	CMC jumper wire
5	DC+ and DC-	Bus voltage test points

Wall Mount Frames 5...7 Common DC Input Power Terminals



(1) Dynamic Brake Resistor Terminals are optional on Frame 6 and 7 drives: catalog number position 12. See Catalog Number Explanation on [page 17](#).

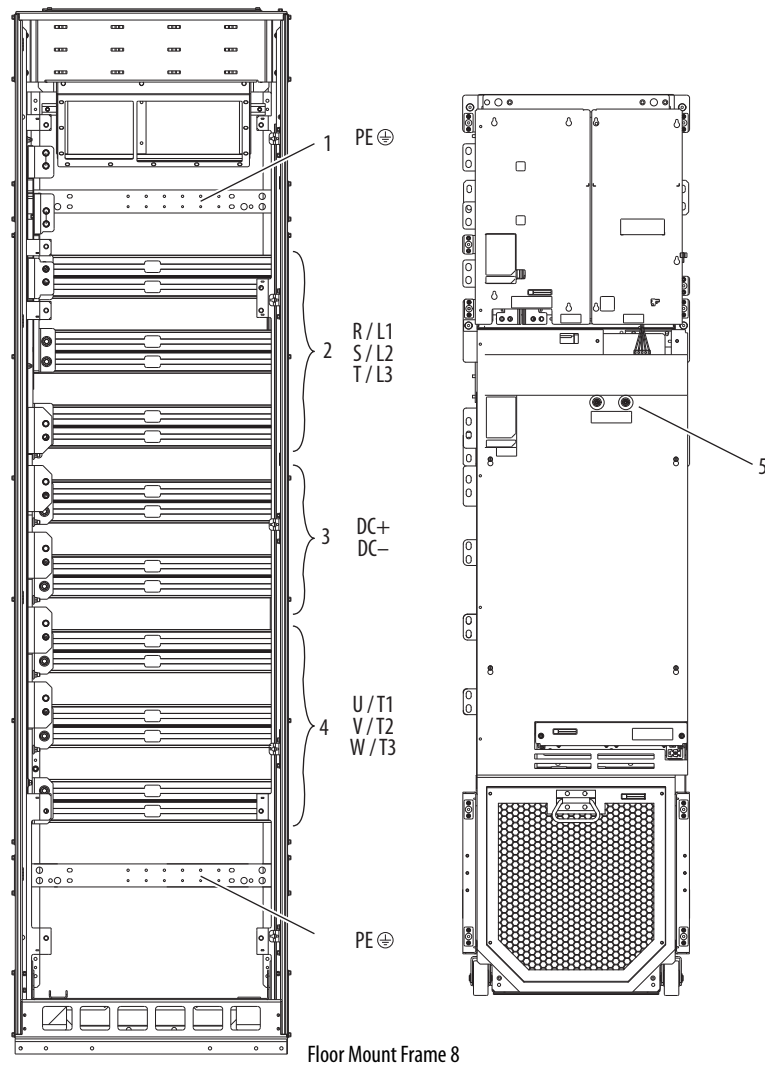
Table 16 - Common DC Input Terminal Designations

Terminal	Description	Notes
+DC	DC bus (+)	DC input power
-DC	DC bus (-)	DC input power
BR1	DC brake (+)	Dynamic brake resistor connection (+)
BR2	DC brake (-)	Dynamic brake resistor connection (-)
U	U (T1)	Motor connections ⁽¹⁾
V	V (T2)	
W	W (T3)	
PE / \perp	PE ground	Terminating point to chassis ground for incoming DC line and motor shield.

(1) **IMPORTANT:** Motors with NEMA MG1 Part 31.40.4.2 inverter grade insulation systems are recommended. If you intend to connect a motor that is not rated inverter grade, see Wiring and Grounding Guidelines for Pulse-width Modulated (PWM) AC Drives, publication DRIVES-IN001 for recommendations.

Floor Mount Frames 8...10 Bus Bar Locations

Figure 98 - Bus Bar Locations, AC Input Drives



No.	Name	Description
1	Power bus	R/L1, S/L2, T/L3 (drive only.)
2	DC bus	DC+, DC- (The DC bus is included with frame 9 and 10 drives. Frame 8 drives require the field installed kit 20-750-BUS1A-F8.)
3	Power bus	U/T1, V/T2, W/T3 (drive only or cabinet options bay without power output options.)
4	PE grounding bar	Terminating point to chassis ground for incoming AC line and motor shield.
5	DC+ and DC-	Bus voltage test points

Figure 99 - Bus Bar and AC Power Rail Locations, Common DC Input Floor Mount Drives

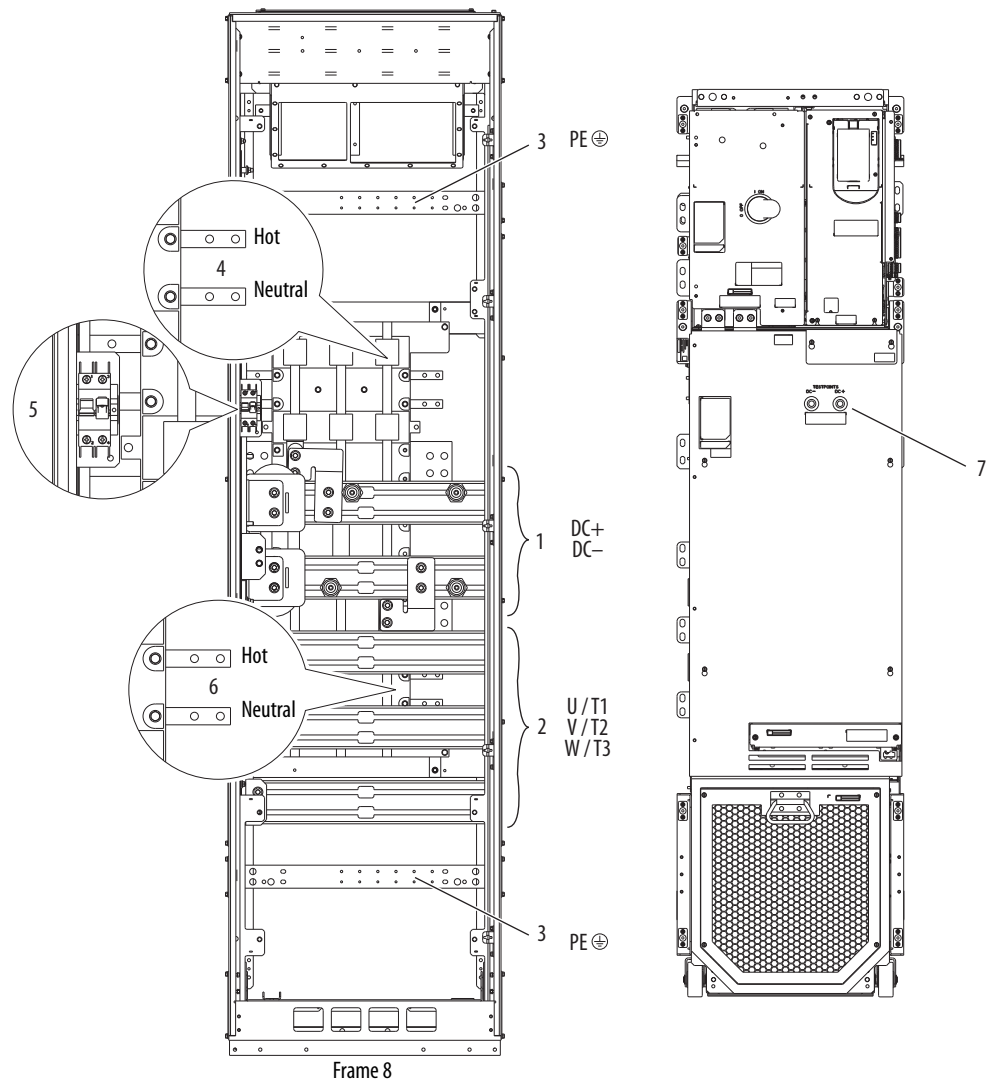


Table 17 - Floor Mount Frame 8 Common DC Input

No.	Name	Description
1	DC power bus	DC+, DC-
2	Power bus	U/T1, V/T2, W/T3
3	PE grounding bar	Terminating point to chassis ground for incoming AC line and motor shield.
4	Control rail	120V AC control power supply connections. Top rail is hot.
5	Control power circuit breaker	120V AC control power supply circuit breaker.
6	UPS rail	120V AC uninterruptible power supply (UPS) connections. Top rail is hot. The UPS rail is only installed when the P30 UPS control bus option is selected.
7	DC+ and DC-	Bus voltage test points

Figure 100 - Bus Bar Locations, Floor Mount Frame 8 Option P14 Wiring Bay

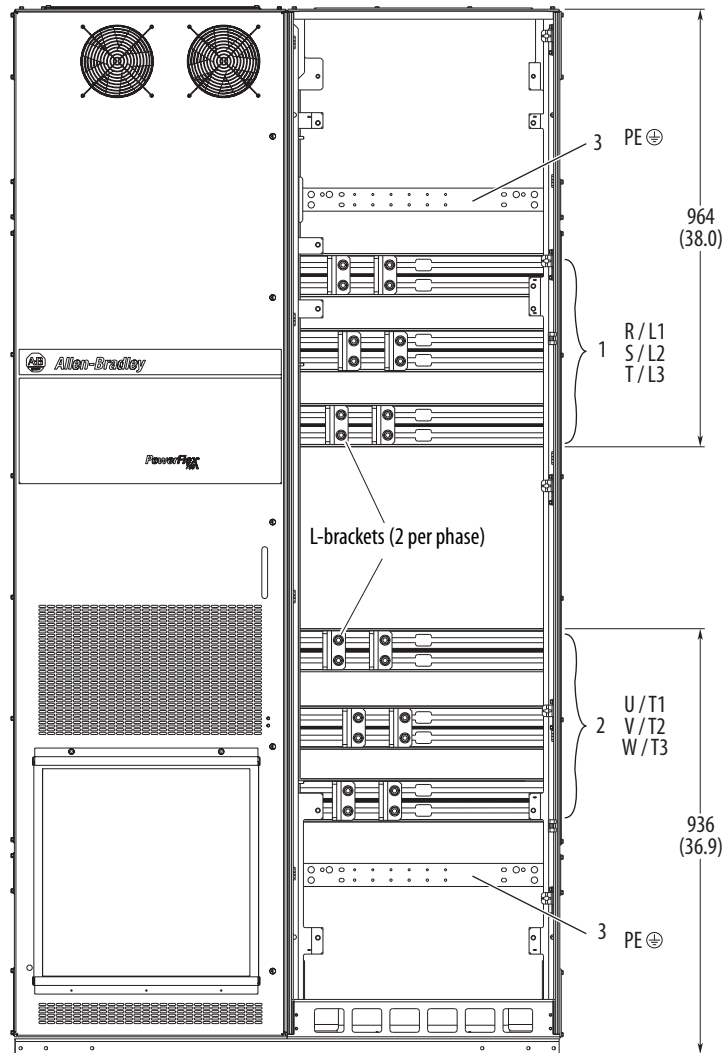


Table 18 - Floor Mount Frame 8 Wiring Bay

No.	Name	Description
1	Power bus	R/L1, S/L2, T/L3
2	Power bus	U/T1, V/T2, W/T3
3	PE grounding bar	Terminating point to chassis ground for incoming AC line and motor shield.

See [Floor Mount Frames 8...10 Power Terminal L-brackets on page 172](#) for information on how to make cable connections on extruded bus bars.

Floor Mount Cabinet Options Bay

Figure 101 - Bus Bar Locations, Floor Mount Frame 9 Cabinet Options Bay (Cabinet Options Assembly Removed)

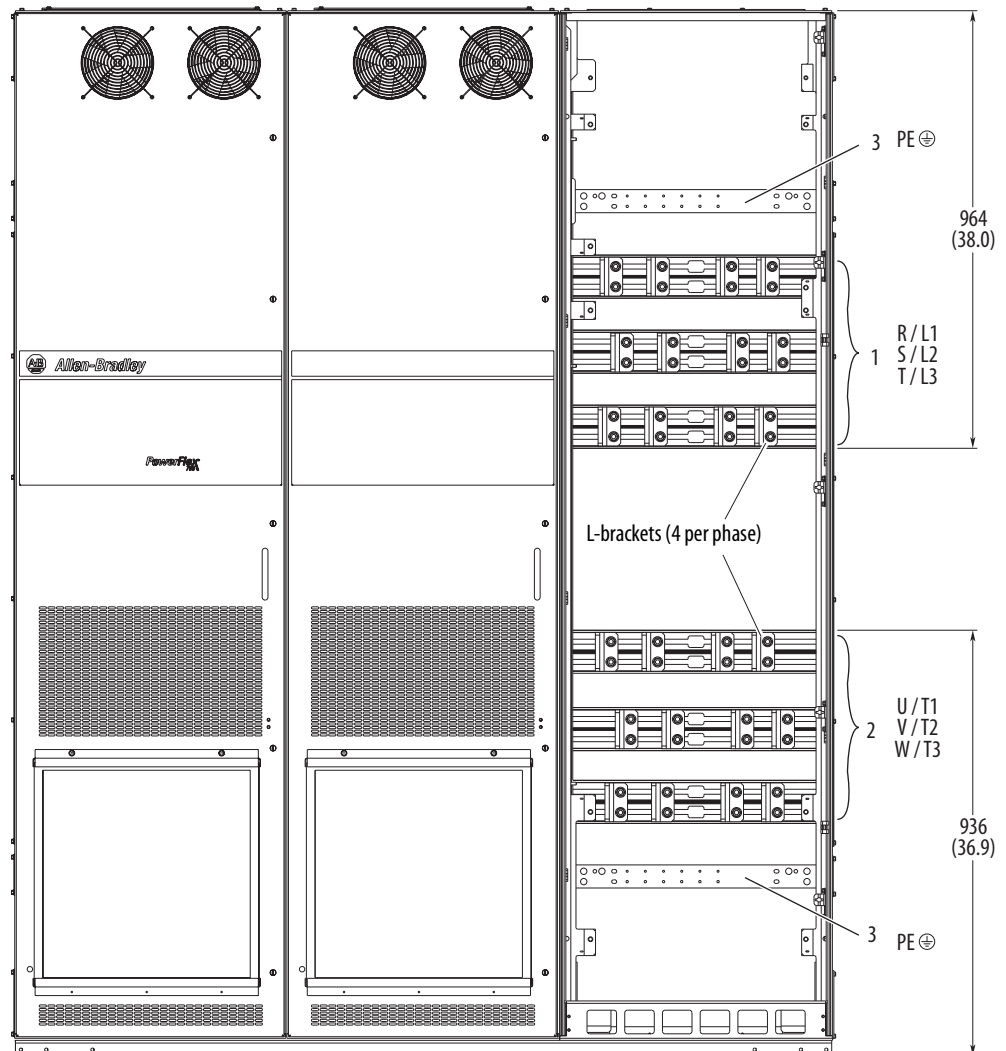
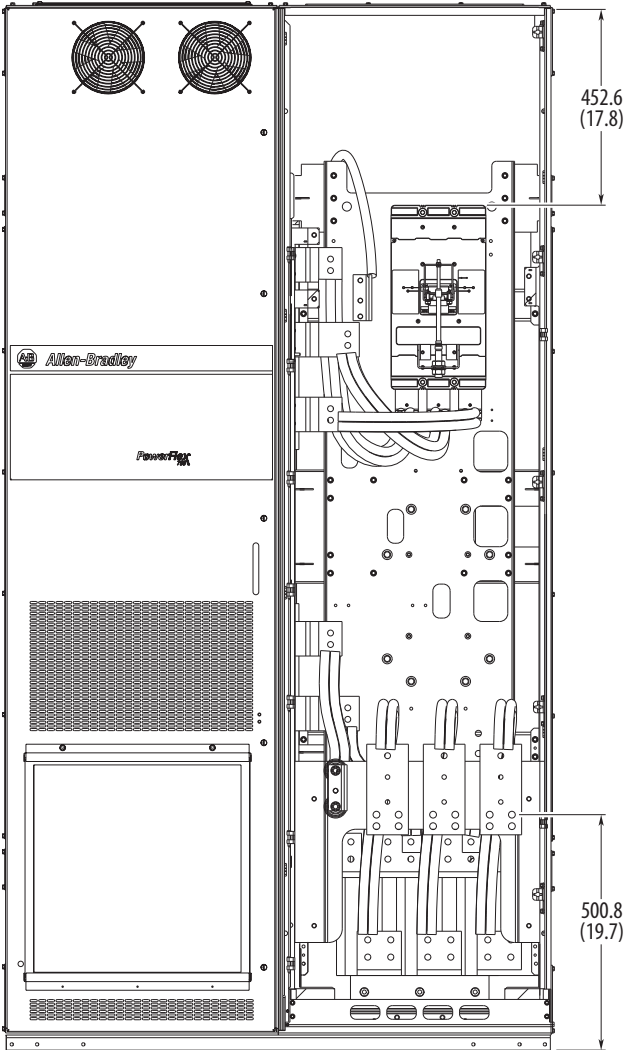


Table 19 - Floor Mount Frame 9 Cabinet Options Bay Bus Bars

No.	Name	Description
1	Power bus	R/L1, S/L2, T/L3
2	Power bus	U/T1, V/T2, W/T3
3	PE grounding bar	Terminating point to chassis ground for incoming AC line and motor shield.

See [Floor Mount Frames 8...10 Power Terminal L-brackets on page 172](#) for information on how to make cable connections on extruded bus bars.

Figure 102 - Option P3 or P5 Disconnect Switch Wiring Clearance



Floor Mount Frames 8...10 Power Wiring Options

The following table describes the cabling options available for each Floor Mount Frames 8...10 drive enclosure. See pages [78...122](#) for conduit plate dimensions.



Adequate Spacing

Available conduit plates provide adequate spacing for typical cabling.

0

Possible – Evaluation is Required

Available conduit plates must be evaluated to determine if cabling fits.

X

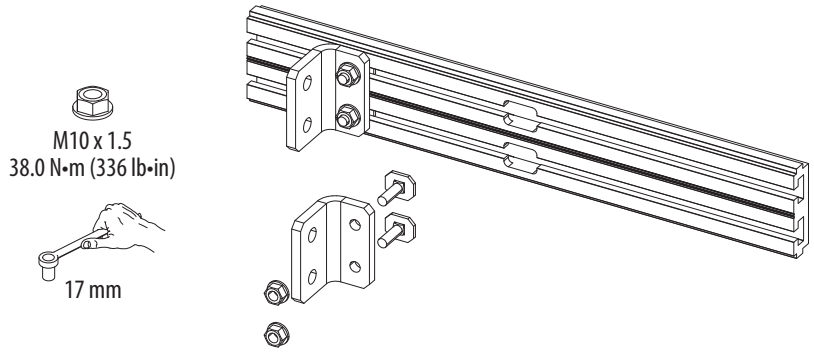
Not Possible – Insufficient Spacing

Conduit plates are not available for the specified configuration.

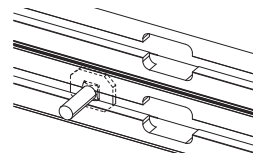
Frame	Enclosure Rating	Enclosure Code	Cabinet Layout	Top Entry/ Top Exit	Top Entry/ Bottom Exit	Bottom Entry/ Top Exit	Bottom Entry/ Bottom Exit	
8	IP20, NEMA/UL Type 1	B	600 mm (23.6 in.) drive cabinet	X		X	0	
		L, P, W	800 mm (31.5 in.) drive cabinet	0		0		
		B	600 mm (23.6 in.) drive with cabinet options bay			X	0	
		L, P, W	800 mm (31.5 in.) drive with cabinet options bay			0		
		B	600 mm (23.6 in.) drive with wiring bay					
		L, P, W	800 mm (31.5 in.) drive with wiring bay					
		L, P, W	800 mm (31.5 in.) drive with cabinet options bay and wiring bays					
	IP54, NEMA Type 12	J, K, Y	800 mm (31.5 in.) drive cabinet	X	X	X		
		J, K, Y	800 mm (31.5 in.) drive with cabinet options bay	X		0	0	
		J, K, Y	800 mm (31.5 in.) drive with wiring bay					
		J, K, Y	800 mm (31.5 in.) drive with cabinet options bay and wiring bays					
	9	IP20, NEMA/UL Type 1	B	600 mm (23.6 in.) drive cabinet	0		0	0
			L, P, W	800 mm (31.5 in.) drive cabinet				
B			600 mm (23.6 in.) drive with cabinet options bay			X		
L, P, W			800 mm (31.5 in.) drive with cabinet options bay					
B			600 mm (23.6 in.) drive with wiring bay					
L, P, W			800 mm (31.5 in.) drive with wiring bay					
L, P, W			800 mm (31.5 in.) drive with cabinet options bay and wiring bays					
IP54, NEMA Type 12		J, K, Y	800 mm (31.5 in.) drive cabinet	X	X	X		
		J, K, Y	800 mm (31.5 in.) drive with cabinet options bay	0		0		
		J, K, Y	800 mm (31.5 in.) drive with wiring bay					
		J, K, Y	800 mm (31.5 in.) drive with cabinet options bay and wiring bays					
10		IP20, NEMA/UL Type 1	B	600 mm (23.6 in.) drive cabinet	0		0	0
			L, P, W	800 mm (31.5 in.) drive cabinet			0	
	IP54, NEMA Type 12	J, K, Y	800 mm (31.5 in.) drive cabinet	X	X	X		

Floor Mount Frames 8...10 Power Terminal L-brackets

Frame 8 drives and larger uses movable L-bracket assemblies to connect AC line input power, output to motor, and DC power to the extruded bus bars at the back of the cabinet. Wiring must be connected to the L-brackets with customer-supplied lugs (either crimp or mechanical type) and customer-supplied hardware. See [Figure 104](#).



IMPORTANT

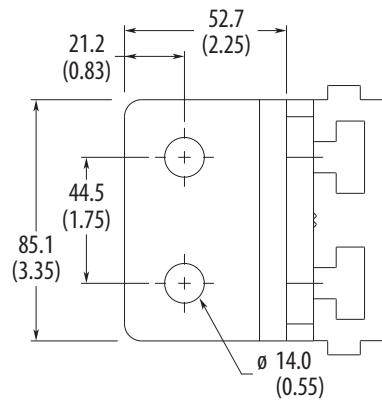


Verify that clamp fits squarely in the bus bar channel

Additional Power Terminal L-Brackets

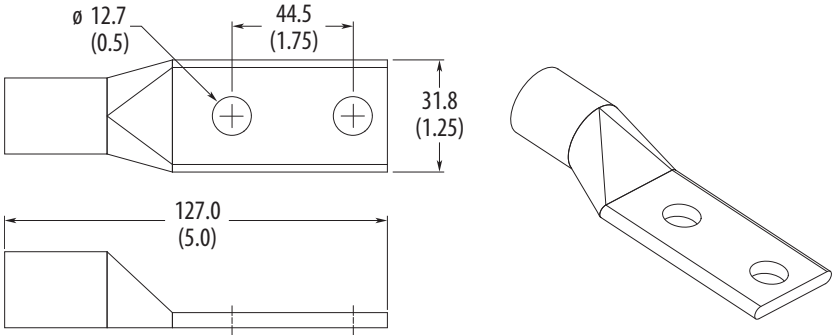
Frame 8 and larger drives come equipped with two L-brackets per AC phase. If an application requires additional L-brackets, kit number 20-750-LBRKT1 is available. Each kit contains three L-brackets and mounting hardware.

Figure 103 - L-Bracket Approximate Dimensions



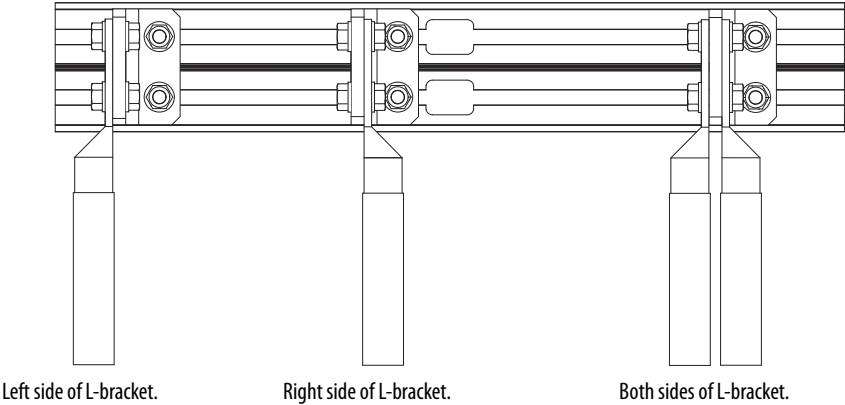
Crimp terminals can be applied to cabling with the vendor-recommended tooling. Torque mechanical terminals per vendor instructions. When using mechanical terminals, which can be large, be sure to maintain adequate spacing to adjacent wires, terminals, and other parts.

Figure 104 - Standard Barrel Lugs: Approximate Maximum Dimensions



Wires with appropriate terminals can be bolted to both sides of the L-brackets if necessary. Frame 8 drives include two L-brackets per phase, up to four conductors per phase. Terminals can be attached to the L-brackets using M12 or 0.5 in. diameter bolts, nuts, and washers. Belleville spring washers, or equivalent, are recommended.

Figure 105 - Typical Lug Connection Options



Recommended Motor Cable Spacing – Floor Mount Frames 8 and Larger

Frame 8 and larger drives typically require multiple conductors in parallel. The installer determines the wire size, and number of conductors, based on drive rated current, local codes, operating conditions, and specific application needs. When using multiple conductors per phase, symmetrical spacing of the input and output power cabling over the span of the bus bar for each phase is recommended.

When using multiple conductors per phase, wires must be arranged so that each conduit, bundle, or cable contains equal numbers of conductors from all three phases.

Figure 106 - Recommended Cable Spacing Example – Floor Mount Frame 9 without Cabinet Options Bay

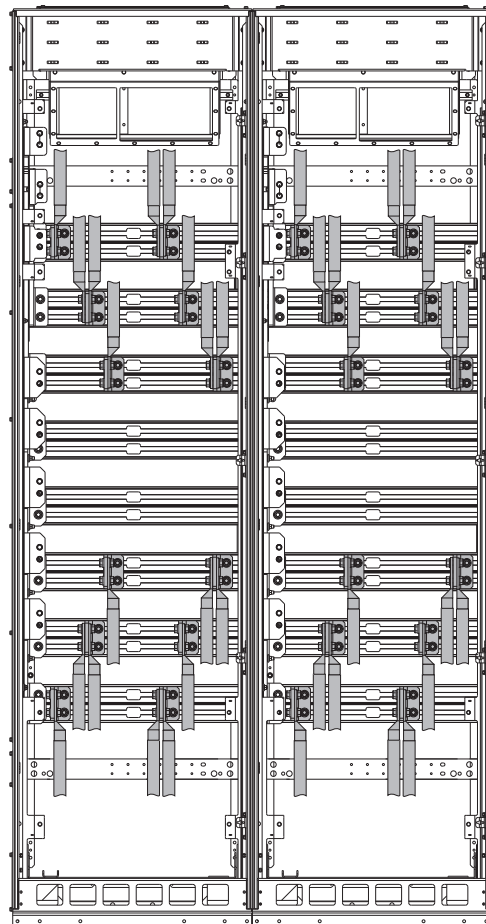
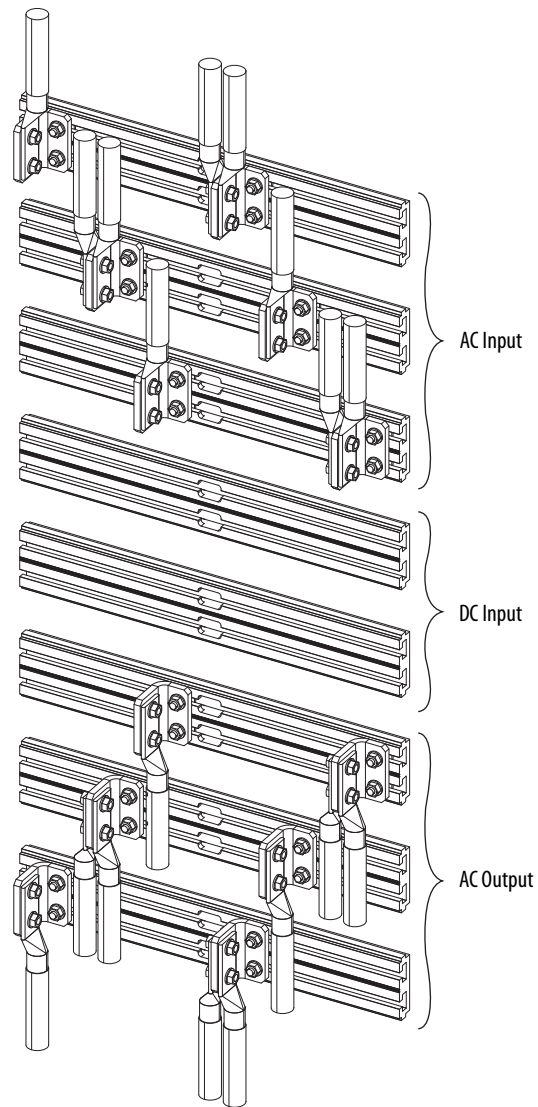
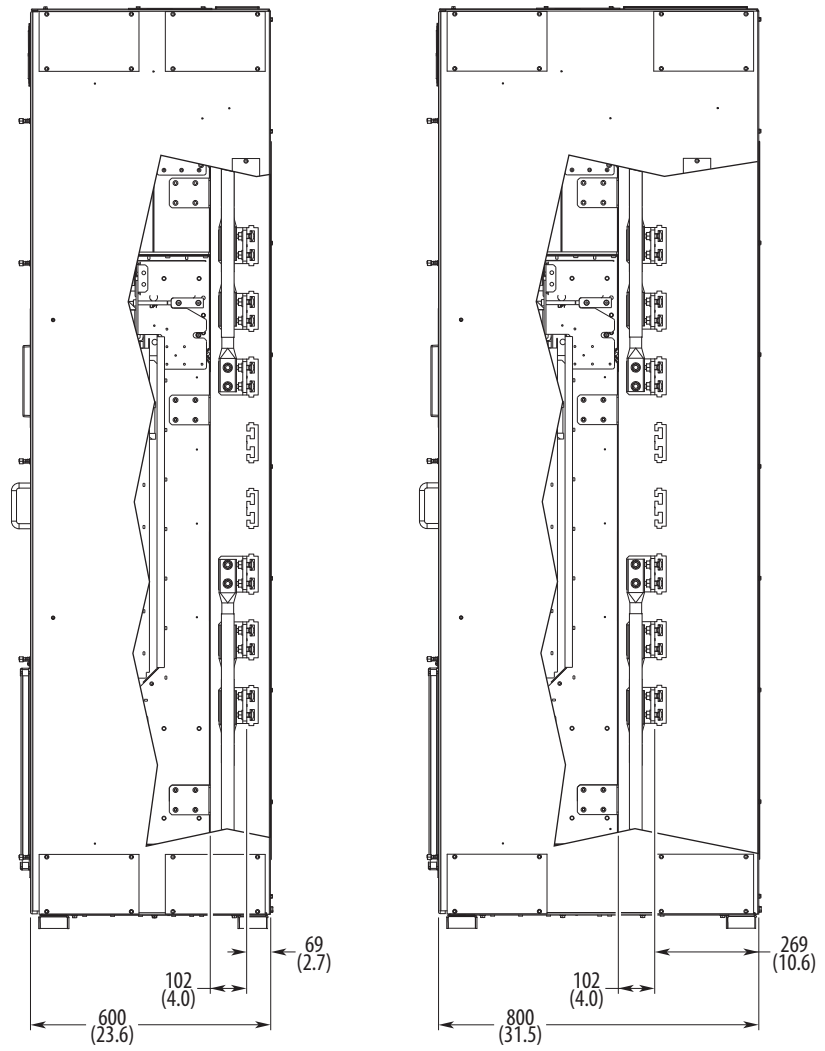


Figure 107 - Top and Bottom Entry Power Connection Example

IMPORTANT Verify that all lug fasteners and L-brackets are properly torqued to 38.0 N·m (336 lb·in). Torque down or remove any unused L-brackets.

Figure 108 - Floor Mount Drives Cabinet Clearances



Dimensions are in millimeters and (inches).

Fuse and Circuit Breaker Ratings

The tables on the following pages provide recommended AC line input fuse and circuit breaker information. See [Fusing on page 178](#) and [Circuit Breakers on page 178](#) for UL and IEC requirements. Sizes are recommended based on 40 °C (104 °F) and the U.S. NEC. Other country, state, or local codes can require different ratings. DC link fuse recommendations for DC input drives are also provided. In addition, Frame 8 and larger drives include AC line fuses (with blown fuse indicators) to provide drive short circuit protection.

Table 20 - Input Device Requirements

Frames	Enclosure Catalog Code	Enclosure Type	Installation Type	UL Certification Required	UL Certification Not Required
1	R	IP20 NEMA/UL Open Type	Installed in a non-ventilated cabinet.	All devices that are listed on pages 179 , 181 , 183 , and 187 are acceptable.	All devices that are listed on pages 179 ... 197 are acceptable.
			Installed outside of cabinet by using NEMA Type 1 kit or in a ventilated cabinet.	Only non-time delay fuses that are listed on pages 179 , 181 , 183 , and 187 , excluding maximum value, are acceptable.	
2...5	N	IP20 NEMA/UL Open Type	Installed in a non-ventilated cabinet. Heat sink is inside or outside of cabinet.	All devices that are listed on pages 179 , 181 , 183 , 187 , and 191 are acceptable.	
	F	Flange			
	N	IP20 NEMA/UL Open Type	Installed outside of cabinet by using NEMA Type 1 kit or in a ventilated cabinet.	208V AC/280V DC or 240V AC/325V DC drives: Only non-time delay fuses listed on pages 179 and 181 , excluding maximum value, are acceptable. 400V AC/540V DC or 480V AC/650V DC drives: Only non-time delay fuses that are listed on pages 183 and 187 , excluding maximum value, are acceptable. 600V AC/810V DC drives: Only non-time delay fuses that are listed on page 191 are acceptable, with maximum value of 40 A (Frame 3), 60 A (Frame 4) and 100 A (Frame 5).	
	F	Flange			
G	IP54 NEMA/UL Type 12	Installed inside or outside of any cabinet.	All devices that are listed on pages 179 , 181 , 183 , 187 , and 191 are acceptable.		
6 and 7	N	IP00 NEMA/UL Open Type	Installed in any cabinet. Heat sink is inside or outside of cabinet.	208V AC/280V DC or 240V AC/325V DC drives: All devices listed on pages 179 and 181 are acceptable. 400V AC/540V DC or 480V AC/650V DC drives: All devices that are listed on pages 183 and 187 are acceptable. 600V AC/810V DC or 690V AC/932V DC drives: Only time delay and non-time delay fuses that are listed on pages 191 , 192 , and 195 are acceptable.	
			Installed outside of cabinet by using NEMA Type 1 kit.		
	G	IP54 NEMA/UL Type 12	Installed inside or outside of any cabinet.	All devices that are listed on pages 183 , 187 , 191 , 192 , and 195 are acceptable.	
8...10	B, L, P, W	IP20 NEMA/UL Type 1	Installed inside of any cabinet.	All devices that are listed on pages 185 , 186 , 189 , 190 , 193 , 194 , 196 , and 197 are acceptable.	
	J, K, Y	IP54 NEMA 12	Installed inside of any cabinet.	All devices that are listed on pages 185 , 186 , 189 , 190 , 193 , 194 , 196 , and 197 are acceptable.	

Fusing

The recommended fuse types are listed in this section. If available current ratings do not match the fuse type listed in the tables, choose the next higher fuse rating.

- IEC – BS88 (British Standard) Parts 1 & 2, EN 60269-1, Parts 1 & 2⁽¹⁾, type gG or equivalent should be used.
- UL – UL Class CC, T, RK1, J, or L should be used.

Circuit Breakers

The ‘non-fuse’ listings in the following tables include inverse time circuit breakers, instantaneous trip circuit breakers (motor circuit protectors), and 140M self-protected combination motor controllers. If one of these options is chosen as the desired protection method, the following requirements apply:

- IEC – Both types of circuit breakers and 140M self-protected combination motor controllers are acceptable for IEC installations.
- UL – Only inverse time circuit breakers and the specified 140M self-protected combination motor controllers are acceptable for UL installations.
- Drives without a 140M recommendation have not been tested in combination with the drive.

140G circuit breakers, which are used in frame 8 and larger drives, are set by the factory for the duty rating of the drive. The default switch settings for each drive rating are listed in the PowerFlex® 750-Series AC Drives Frames 8 and Larger Hardware Service Manual, Appendix C, publication [750-TG001](#).

(1) Typical designations include, but are not be limited to the following; Parts 1 & 2: AC, AD, BC, BD, CD, DD, ED, EFS, EF, FF, FG, GF, GG, and GH.

Table 21 - 208 Volt AC and 281 Volt DC Input Protection Devices – Wall Mount Frames 1...7

Applied Rating ⁽¹⁾	Cont. Output Amps	Drive Sized for Normal Duty				Drive Sized for Heavy Duty				Input Quantities		AC Input Protection Devices							DC Input Protection ⁽¹⁴⁾		
		Cat. No.		Output Overload Amps	3 s	Cat. No.		Output Overload Amps	1 min	3 s	Continuous AC Input	Amps	Dual Element Time Delay Fuse	Non-time Delay Fuse	Circuit Breaker Max. Size ⁽⁶⁾	Circuit Breaker, Dual Element Time Delay Fuse	Motor Circuit Protector ⁽⁸⁾	140M Type E Combination Motor Controller with Adjustable Current Range ⁽⁹⁾⁽¹⁰⁾	Continuous DC Input	Non-Time Delay Fuse	
		(x = F or G)	(x = F or G)	1 min	3 s	(x = F or G)	(x = F or G)	1 min	3 s	kVA	Min ⁽⁴⁾	Max ⁽⁵⁾	Min ⁽⁴⁾	Max ⁽⁵⁾		Min Enclosure Volume (in. ³) ⁽⁷⁾		Cat. No.	Amps		
208 Volt AC Input																					
0.37 kW	1	2.5	20x...B2P2	2.75	3.75	5.28	7.2	0.73	2.0	3	6	3	10	15	3840	3	M-xxx-B25 ⁽¹¹⁾	2.4	JKS-6	7269	
0.75 kW	1	4.8	20x...B4P2	5.28	7.2	8.58	11.7	1.4	3.9	6	10	6	15	20	3840	7	M-xxx-B63 ⁽¹¹⁾	4.5	JKS-10	7269	
1.5 kW	1	7.8	20x...B6P8	8.58	11.7	12.1	16.5	2.5	7.0	10	15	10	25	30	3840	15	M-xxx-C10 ⁽¹¹⁾	8.2	HSI-15	7269	
2.2 kW	1	11	20x...B9P6	12.1	16.5	16.83	22.95	3.6	9.9	15	20	15	35	40	3840	15	M-xxx-C16 ⁽¹¹⁾	11.6	HSI-20	7269	
4 kW	1	15.3	20x...B015	16.83	22.95	24.2	33	5.2	14.3	20	30	20	50	60	3840	20	M-xxx-C20 ⁽¹¹⁾	16.7	HSI-30	7269	
0.37 kW	2	2.5	20x...B2P2	3.75	4.5	3.75	4.5	0.7	2.0	3	6	3	10	15	3840	3	M-xxx-B25 ⁽¹¹⁾	2.4	JKS-6	9086	
0.75 kW	2	4.8	20x...B4P2	7.2	8.64	7.2	8.64	1.4	3.9	6	10	6	15	20	3840	7	M-xxx-B63 ⁽¹¹⁾	4.5	JKS-10	9086	
1.5 kW	2	7.8	20x...B6P8	11.7	14.04	11.7	14.04	2.5	7.0	10	15	10	25	30	3840	15	M-xxx-C10 ⁽¹¹⁾	8.2	HSI-15	9086	
2.2 kW	2	11	20x...B9P6	16.5	19.8	16.5	19.8	3.6	9.9	15	20	15	35	40	3840	15	M-xxx-C16 ⁽¹¹⁾	11.6	HSI-20	9086	
4 kW	2	17.5	20x...B015	19.25	26.25	24.2	33	5.9	16.4	20	35	20	60	70	3840	20	M-xxx-C20 ⁽¹¹⁾	19.1	HSI-30	9086	
5.5 kW	2	22	20x...B022	24.2	33	35.42	48.3	7.5	20.8	30	45	30	70	80	3840	30	M-xxx-C25 ⁽¹²⁾	24.3	HSI-45	9086	
7.5 kW	3	32.2	20x...B028	35.42	48.3	48.3	64.5	11.1	30.8	40	60	40	100	125	4800	50	M-FBE-C32	36.0	HSI-60	9086	
11 kW	3	43	20x...B042	47.3	64.5	64.5	90	14.8	41.2	60	80	60	150	150	4800	60	M-FBE-C45	48.1	HSI-90	9086	
15 kW	4	60	20x...B054	66	90	90	117.3	20.7	57.4	80	125	80	200	225	4800	100		67.1	HSI-100		
18.5 kW	5	78.2	20x...B070	86.02	117.3	117.3	140.8	27.0	74.9	90	150	90	250	300	7200	100		87.5	HSI-150		
22 kW	5	92	20x...B080	101.2	138	138	180	31.7	88.1	110	175	110	300	350	7200	150		102.9	HSI-200		
30 kW	6	120	20x...B104	132	180	180	225	42.4	117.6	150	250	150	400	350		150		137.4	HSI-225		
37 kW	6	150	20x...B130	165	225	225	270	52.9	147.0	200	300	200	500	450		250		171.7	HSI-300		
45 kW	6	177	20x...B154	194.7	265.5	265.5	331.5	62.5	173.4	225	350	225	600	500		250		202.6	HSI-350		
55 kW	6	221	20x...B192	243.1	331.5	331.5	390	78.0	216.5	300	400	300	650	600		400		253.0	HSI-400		
66 kW	6	260	20x...B260	286	390	390	538.5	91.87	254.7	350	500	350	750	700		400		297.7	HSI-400		
90 kW	7	359	20x...B312	394.9	538.5	538.5	646.2	126.7	351.7	500	700	500	1000	1000		600		411.0	Busman 470MM612		
110 kW	7	414	20x...B360	455.4	621			146.1	405.6	600	800	600	1200	1200		600		474.0	Busman 470MM613		
132 kW	7	477	20x...B477	524.7	715.5			168.4	467.3	600	900	600	1400	1200		600		546.1	Busman 470MM613		

- (1) 'Applied Rating' refers to the motor that will be connected to the drive. For example, a 'C022' drive can be used in Normal Duty mode on a 11 kW motor, or in Heavy-duty mode on a 7.5 kW motor. A 'C015' drive can be used in Heavy-duty mode on a 5.5 kW motor with the same ratings as a 'C011'. The drive can be programmed for either mode. Wiring and fuses can be sized based on the programmed mode. For any given drive catalog number, Normal Duty mode provides higher continuous current but smaller overload current regarding Heavy-duty mode. See parameter 306 [Duty Rating].
- (2) Enclosure codes F, N, and R only. See Frame/Rating Cross-reference in PowerFlex 750-Series AC Drives Technical Data, publication [750-1D001](#), for frame sizes of other enclosure types.
- (3) This drive is the next larger frame size.
- (4) Minimum protection device size is the lowest rated device that supplies maximum protection without nuisance tripping.
- (5) Maximum protection device size is the highest rated device that supplies drive protection. For US NEC, minimum size is 125% of motor FLA. Ratings that are shown are maximum.
- (6) Circuit Breaker – inverse time breaker. For US NEC, minimum size is 125% of motor FLA. Ratings that are shown are maximum.
- (7) When using a circuit breaker or time-delay fuse with a drive installed in a ventilated enclosure, the enclosure volume must be greater than or equal to the minimum volume specified in this column. Application-specific thermal considerations can require a larger enclosure.
- (8) Recommended Motor circuit protector – Instantaneous trip circuit breaker. Set the trip setting to the input current of the drive and size for the continuous current of the system.
- (9) For Bulletin 140M with adjustable current range, set the current trip to the minimum range that the device will not trip.
- (10) Manual Self-Protected (Type E) Combination Motor Controller, UL Listed for 208 Wye or Delta, 240 Wye or Delta, 480Y/277V, and 600Y/347V AC Input. Not UL Listed for use on 480V or 600V Delta/Delta, corner ground, or high-resistance ground systems.
- (11) Bulletin 140M must be Frame C (C2E), Frame D (D8E), or Frame F (F8E).
- (12) Bulletin 140M must be Frame D (D8E) or Frame F (F8E).
- (13) When using a Manual Self-Protected (Type E) Combination Motor Controller, the drive must be installed in a ventilated or non-ventilated enclosure with the minimum volume that is specified in this column. Application-specific thermal considerations may require a larger enclosure.
- (14) See Fuse Certification and Test Data in PowerFlex AC Drives in Common Bus Configurations Application Guidelines, publication [DRIVES-A1002](#), for fuse self-certification and test data for Bussmann 170M and JKS fuses recommended for the DC bus fusing.

Table 22 - 240 Volt AC and 325 Volt DC Input Protection Devices – Wall Mount Frames 1...7

Applied Rating ⁽¹⁾	Cont. Output Amps	Drive Sized for Normal Duty				Drive Sized for Heavy Duty				Input Quantities				AC Input Protection Devices						DC Input Protection ⁽¹⁴⁾	
		Cat. No.		Output Overload Amps		Cat. No.		Output Overload Amps		Continuous AC Input		Non-time Delay Fuse		Circuit Breaker Max Size ⁽⁶⁾		Circuit Breaker, Dual Element Time Delay Fuse		Motor Circuit Protector ⁽⁸⁾		Continuous DC Input	Amps
		(x = For G)	1 min	3 s	(x = For G)	1 min	3 s	kVA	Amps	Min ⁽⁴⁾	Max ⁽⁵⁾	Min ⁽⁴⁾	Max ⁽⁵⁾	Min Enclosure Volume (in. ³) ⁽⁷⁾	Max ⁽⁵⁾	Min Enclosure Volume (in. ³) ⁽¹³⁾					
240 Volt AC Input																					
0.5 Hp	1	2.2	20x...B2P2	2.42	3.3	20x...B4P2	4.62	6.3	0.71	1.7	3	6	3	10	15	3840	3	M-xxx-B25 ⁽¹¹⁾	7269	JKS-6	
1 Hp	1	4.2	20x...B4P2	4.62	6.3	20x...B6P8	7.48	10.2	1.4	3.3	6	10	6	15	20	3840	7	M-xxx-B63 ⁽¹¹⁾	7269	JKS-10	
2 Hp	1	6.8	20x...B6P8	7.48	10.2	20x...B9P6	10.56	14.4	2.4	5.9	10	15	10	25	30	3840	15	M-xxx-C10 ⁽¹¹⁾	7269	HJS-15	
3 Hp	1	9.6	20x...B9P6	10.56	14.4	20x...B015	16.83	22.95	3.4	8.3	15	20	15	35	40	3840	15	M-xxx-C16 ⁽¹¹⁾	7269	HJS-20	
5 Hp	1	15.3	20x...B015	16.83	22.95	20x...B022 ⁽³⁾	24.2	33	5.70	13.7	20	30	20	50	60	3840	20	M-xxx-C20 ⁽¹¹⁾	7269	HJS-30	
0.5 Hp	2	2.2	20x...B2P2	3.3	3.96	20x...B2P2	3.3	3.96	0.7	1.7	3	6	3	10	15	3840	3	M-xxx-B25 ⁽¹¹⁾	9086	JKS-6	
1 Hp	2	4.2	20x...B4P2	6.3	7.56	20x...B4P2	6.3	7.56	1.4	3.3	6	10	6	15	20	3840	7	M-xxx-B63 ⁽¹¹⁾	9086	JKS-10	
2 Hp	2	6.8	20x...B6P8	10.2	12.24	20x...B6P8	10.2	12.24	2.4	5.9	10	15	10	25	30	3840	15	M-xxx-C10 ⁽¹¹⁾	9086	HJS-15	
3 Hp	2	9.6	20x...B9P6	14.4	17.28	20x...B9P6	14.4	17.28	3.4	8.3	15	20	15	35	40	3840	15	M-xxx-C16 ⁽¹¹⁾	9086	HJS-20	
5 Hp	2	15.3	20x...B015	16.83	22.95	20x...B022	24.2	33	5.7	13.7	20	30	20	50	70	3840	20	M-xxx-C20 ⁽¹¹⁾	9086	HJS-30	
7.5 Hp	2	22	20x...B022	24.2	33	20x...B028 ⁽³⁾	33	42	8.3	19.9	30	45	30	70	80	3840	30	M-xxx-C25 ⁽¹²⁾	9086	HJS-45	
10 Hp	3	28	20x...B028	30.8	42	20x...B042	46.2	63	10.7	25.7	40	60	40	100	125	4800	50	M-FBE-C32	9086	HJS-60	
15 Hp	3	42	20x...B042	46.2	63	20x...B054 ⁽³⁾	63	81	16.0	38.5	60	80	60	150	150	4800	60	M-FBE-C45	9086	HJS-90	
20 Hp	4	54	20x...B054	59.4	81	20x...B070 ⁽³⁾	81	105	20.6	49.5	80	100	80	175	225	4800	100			HJS-100	
25 Hp	5	70	20x...B070	77	105	20x...B080	105	126	26.7	64.2	90	150	90	225	300	7200	100			HJS-150	
30 Hp	5	80	20x...B080	88	120	20x...B104 ⁽³⁾	120	156	30.5	73.4	100	175	100	300	350	7200	150			HJS-200	
40 Hp	6	104	20x...B104	114.4	156	20x...B130	156	195	40.6	97.6	150	200	150	350	350		150			HJS-225	
50 Hp	6	130	20x...B130	143	195	20x...B154	195	234	50.7	122.1	175	250	200	450	450		250			HJS-300	
60 Hp	6	154	20x...B154	169.4	231	20x...B192	231	288	60.1	144.6	225	300	225	500	500		250			HJS-350	
75 Hp	6	192	20x...B192	211.2	288	20x...B260	286	390	74.9	180.3	250	350	250	600	600		400			HJS-400	
100 Hp	6	260	20x...B260	286	390	20x...B312 ⁽³⁾	390	468	101.5	244.11	350	500	350	750	700		400			HJS-400	
125 Hp	7	312	20x...B312	343.2	468	20x...B360	468	561.6	121.8	292.9	400	600	400	900	1000		600			Bussman 470MM608	
150 Hp	7	360	20x...B360	396	540				140.5	338.0	500	700	500	1000	1200		600			Bussman 470MM612	
200 Hp	7	477	20x...B477	524.7	715.5				186.2	447.8	600	900	600	1400	1200		600			Bussman 470MM613	

- (1) 'Applied Rating' refers to the motor that will be connected to the drive. For example, a 'C022' drive can be used in Normal Duty mode on a 11 kW motor, or in Heavy-duty mode on a 7.5 kW motor. A 'C015' drive can be used in Heavy-duty mode on a 5.5 kW motor with the same ratings as a 'C011'. The drive can be programmed for either mode. Wiring and fuses can be sized based on the programmed mode. For any given drive catalog number, Normal Duty mode provides higher continuous current but smaller overload current regarding Heavy-duty mode. See parameter 306 [Duty Rating].
- (2) Enclosure codes F, N, and R only. See Frame/Rating Cross-reference in PowerFlex 750-Series AC Drives Technical Data, publication [750-ID001](#), for frame sizes of other enclosure types.
- (3) This drive is the next larger frame size.
- (4) Minimum protection device size is the lowest rated device that supplies maximum protection without nuisance tripping.
- (5) Maximum protection device size is the highest rated device that supplies drive protection. For US NEC, minimum size is 125% of motor FLA. Ratings that are shown are maximum.
- (6) Circuit Breaker – inverse time breaker. For US NEC, minimum size is 125% of motor FLA. Ratings that are shown are maximum.
- (7) When using a circuit breaker or time-delay fuse with a drive installed in a ventilated enclosure, the enclosure volume must be greater than or equal to the minimum volume specified in this column. Application-specific thermal considerations can require a larger enclosure.
- (8) Recommended Motor circuit protector – Instantaneous trip circuit breaker. Set the trip setting to the input current of the drive and size for the continuous current of the system.
- (9) For Bulletin 140M with adjustable current range, set the current trip to the minimum range that the device will not trip.
- (10) Manual Self-Protected (Type E) Combination Motor Controller, UL Listed for 208 Wye or Delta, 480Y/277V, and 600Y/347V AC Input. Not UL Listed for use on 480V or 600V Delta/Delta, corner ground, or high-resistance ground systems.
- (11) Bulletin 140M must be Frame C (C2E), Frame D (D8E), or Frame F (F8E).
- (12) Bulletin 140M must be Frame D (D8E) or Frame F (F8E).
- (13) When using a Manual Self-Protected (Type E) Combination Motor Controller, the drive must be installed in a ventilated or non-ventilated enclosure with the minimum volume that is specified in this column. Application-specific thermal considerations may require a larger enclosure.
- (14) See Fuse Certification and Test Data in PowerFlex AC Drives in Common Bus Configurations Application Guidelines, publication [DRIVES-A1002](#), for fuse self-certification and test data for Bussmann 170M and JKS fuses recommended for the DC bus fusing.

Table 23 - 400 Volt AC and 540 Volt DC Input Protection Devices – Wall Mount Frames 1...7

Applied Rating ⁽¹⁾	Cont. Output Amps	Drive Sized for Normal Duty				Drive Sized for Heavy Duty				Input Quantities				AC Input Protection Devices						Input Quantities		DC Input Protection ⁽¹⁴⁾
		Cat. No.		Output Overload Amps	3 s	Cat. No.		Output Overload Amps	1 min	3 s	Continuous AC Input	Dual Element Time Delay Fuse		Non-time Delay Fuse		Circuit Breaker Max Size ⁽⁶⁾	Circuit Breaker, Dual Element Time Delay Fuse		Motor Circuit Protector ⁽⁸⁾	Continuous DC Input	Amps	
		(x = F or G)	(x = F or G)	1 min	3 s	(x = F or G)	(x = F or G)	Min ⁽⁴⁾	Max ⁽⁵⁾	Min ⁽⁴⁾	Max ⁽⁵⁾	Min ⁽⁴⁾	Max ⁽⁵⁾	Min Endurance Volume ⁽⁹⁾ (in. ³) ⁽⁷⁾	Min Endurance Volume ⁽⁹⁾ (in. ³) ⁽¹³⁾	Cat. No.	140M Type E Combination Motor Controller with Adjustable Current Range ⁽⁹⁾ (10)					
400 Volt AC Input																						
0.37 kW	1	1.3							0.7	1.1	2	3	2	3	15	3840	3	M-xxx-B25 ⁽¹¹⁾	7269	1.2	JKS-6	
0.75 kW	1	2.1	20x...C2P1	2.3	3.2	20x...C2P1	3.9	5.3	1.2	1.7	2	3	2	3	15	3840	3	M-xxx-B25 ⁽¹¹⁾	7269	2.1	JKS-6	
1.5 kW	1	3.5	20x...C3P5	3.9	5.3	20x...C3P5	5.5	7.5	1.9	2.8	6	6	6	6	15	3840	7	M-xxx-B40 ⁽¹¹⁾	7269	3.7	JKS-8	
2.2 kW	1	5	20x...C5P0	5.5	7.5	20x...C8P7	9.6	13.1	3.1	4.5	6	6	6	6	20	3840	7	M-xxx-B63 ⁽¹¹⁾	7269	5.3	JKS-10	
4.0 kW	1	8.7	20x...C8P7	9.6	13.1	20x...C011	13.1	17.3	5.4	7.8	10	15	10	15	30	3840	15	M-xxx-C10 ⁽¹¹⁾	7269	9.3	HSJ15	
5.5 kW	1	11.5	20x...C011	12.7	17.3	20x...C015	17.3	23.1	7.4	10.7	15	20	15	20	45	3840	15	M-xxx-C16 ⁽¹¹⁾	7269	12.6	HSJ20	
7.5 kW	1	15.4	20x...C015	16.9	23.1				10.1	14.6	20	25	20	25	60	3840	20	M-xxx-C20 ⁽¹¹⁾	7269	17.0	HSJ25	
0.75 kW	2	2.1	20x...C2P1	3.1	3.7	20x...C2P1	3.1	3.7	1.2	1.7	3	6	3	8	15	3840	3	M-xxx-B25 ⁽¹¹⁾	9086	2.1	JKS-6	
1.5 kW	2	3.5	20x...C3P5	5.2	6.3	20x...C3P5	5.2	6.3	1.9	2.8	6	7	6	12	15	3840	7	M-xxx-B40 ⁽¹¹⁾	9086	3.7	JKS-8	
2.2 kW	2	5	20x...C5P0	7.5	9.0	20x...C5P0	7.5	9.0	3.1	4.5	6	10	6	20	20	3840	7	M-xxx-B63 ⁽¹¹⁾	9086	5.3	JKS-10	
4.0 kW	2	8.7	20x...C8P7	13.0	15.6	20x...C8P7	13.0	15.6	5.4	7.8	10	17.5	10	30	30	3840	15	M-xxx-C10 ⁽¹¹⁾	9086	9.3	HSJ15	
5.5 kW	2	11.5	20x...C011	17.2	20.7	20x...C011	17.2	20.7	7.4	10.7	15	25	15	45	45	3840	15	M-xxx-C16 ⁽¹¹⁾	9086	12.6	HSJ20	
7.5 kW	2	15.4	20x...C015	16.9	23.1	20x...C015	17.3	23.1	7.4	10.7	15	25	15	45	45	3840	15	M-xxx-C16 ⁽¹¹⁾	9086	12.6	HSJ20	
11 kW	2	22	20x...C022	24.2	33.0	20x...C022	24.2	33.0	10.1	14.6	20	30	20	60	60	3840	20	M-xxx-C20 ⁽¹¹⁾	9086	17.0	HSJ25	
15 kW	3	30	20x...C030	33.0	45.0	20x...C030 ⁽³⁾	33.0	45.0	14.6	21.1	30	45	30	80	80	3840	30	M-xxx-C25 ⁽¹²⁾	9086	24.6	HSJ40	
18.5 kW	3	37	20x...C037	40.7	55.5	20x...C037	45.0	55.5	19.9	28.7	40	60	40	120	100	4800	50	M-F8E-C32	9086	33.6	HSJ50	
22 kW	3	43	20x...C043	47.3	64.5	20x...C043	55.5	66.6	24.5	35.4	45	80	45	125	110	4800	50	M-F8E-C45	9086	41.4	HSJ70	
30 kW	4	60	20x...C060	66.0	90.0	20x...C072	90.0	108.0	39.8	57.4	75	125	75	225	180	4800	100			67.1	HSJ100	
37 kW	4	72	20x...C072	79.2	108.0	20x...C085 ⁽³⁾	108.0	129.6	48.9	70.5	90	150	90	275	200	4800	100			82.4	HSJ125	
45 kW	5	85	20x...C085	93.5	127.5	20x...C104	127.5	156.0	57.7	83.3	110	175	110	325	250	7200	150			97.3	HSJ150	
55 kW	5	104	20x...C104	114.4	156.0	20x...C140 ⁽³⁾	156.0	210.0	71.3	102.9	130	225	130	400	300	7200	150			120.2	HSJ175	
75 kW	6	140	20x...C140	154.0	210.0	20x...C170	210.0	255.0	95.0	137.2	175	300	175	550	400		250			160.3	HSJ250	
90 kW	6	170	20x...C170	187.0	255.0	20x...C205	255.0	307.5	115.4	166.5	225	375	225	600	500		250			194.6	HSJ350	
110 kW	6	205	20x...C205	225.5	307.5	20x...C260	307.5	390.0	139.1	200.8	275	450	275	600	600		400			234.7	HSJ350	
132 kW	6	260	20x...C260	286.0	390.0	20x...C302 ⁽³⁾	390.0	468.0	176.5	254.7	325	575	325	750	700		400			297.7	HSJ400	
160 kW	7	302	20x...C302	332.2	453.0	20x...C367	453.0	550.5	205.0	295.9	400	675	400	900	900		600			345.7	Busman 170M6608	
540 Volt DC Input																						

Table 23 - 400 Volt AC and 540 Volt DC Input Protection Devices – Wall Mount Frames 1...7 (Continued)

Applied Rating ⁽¹⁾	Cont. Output Amps	Drive Sized for Normal Duty				Drive Sized for Heavy Duty				AC Input Protection Devices				Input Quantities		DC Input Protection ⁽¹⁴⁾		
		Cat. No.		Output Overload Amps		Cat. No.		Output Overload Amps		Continuous AC Input	Non-time Delay Fuse	Circuit Breaker Max Size ⁽⁶⁾	Circuit Breaker, Dual Element Time Delay Fuse	Motor Circuit Protector ⁽⁸⁾	140M Type E Combination Motor Controller with Adjustable Current Range		Continuous DC Input	
		(x = F or G)	3 s	1 min	3 s	(x = F or G)	3 s	1 min	3 s						Amps			Min Enclosure Volume (in. ³ /l) ⁽¹³⁾
200 kW	367	20x...C367	403.7	550.5	684.0	20x...C456	550.5	684.0	249.1	359.5	475	800	1000	600		420.2	Busman 170M6612	
		20x...C477	550.5	684.0	20x...C477	550.5	684.0	249.1	359.5	475	800	1000	1000	600		420.2		
250 kW	456	20x...C456	501.6	684.0					309.5	446.7	600	1000	1800	600		522.0	Busman 170M6613	
		20x...C477	524	715.5					323.8	467.3	600	1000	1400	600		546.0		
270 kW	477															Busman 170M6613		

- (1) 'Applied Rating' refers to the motor that will be connected to the drive. For example, a 'C02Z' drive can be used in Normal Duty mode on an 11 kW motor, or in Heavy-duty mode on a 7.5 kW motor. A 'C015' drive can be used in Heavy-duty mode on a 5.5 kW motor with the same ratings as a 'C011'. The drive can be programmed for either mode. Wiring and fuses can be sized based on the programmed mode. For any given drive catalog number, Normal Duty mode provides higher continuous current but smaller overload current regarding Heavy-duty mode. See parameter 306 [Duty Rating].
- (2) Enclosure codes F, N, and R only. See Frame/Rating Cross-reference in PowerFlex 750-Series AC Drives Technical Data, publication [Z50-1D001](#), for frame sizes of other enclosure types.
- (3) This drive is the next larger frame size.
- (4) Minimum protection device size is the lowest rated device that supplies maximum protection without nuisance tripping.
- (5) Maximum protection device size is the highest rated device that supplies drive protection. For US NEC, minimum size is 125% of motor FLA. Ratings that are shown are maximum.
- (6) Circuit Breaker – inverse time breaker. For US NEC, minimum size is 125% of motor FLA. Ratings that are shown are maximum.
- (7) When using a circuit breaker or time-delay fuse with a drive installed in a ventilated enclosure, the enclosure volume must be greater than or equal to the minimum volume specified in this column. Application-specific thermal considerations can require a larger enclosure.
- (8) Recommended Motor circuit protector – Instantaneous trip circuit breaker. Set the trip setting to the input current of the drive and size for the continuous current of the system.
- (9) For Bulletin 140M with adjustable current range, set the current trip to the minimum range that the device will not trip.
- (10) Manual Self-Protected (Type E) Combination Motor Controller, UL Listed for 480V/277V and 600V/347V AC Input. Not UL Listed for use on 480V or 600V Delta/Delta, corner ground, or high-resistance ground systems.
- (11) Bulletin 140M must be frame C (CZE), frame D (D8E), or frame F (F8E).
- (12) Bulletin 140M must be frame D (D8E) or frame F (F8E).
- (13) When using a Manual Self-Protected (Type E) Combination Motor Controller, the drive must be installed in a ventilated or non-ventilated enclosure with the minimum volume that is specified in this column. Application-specific thermal considerations may require a larger enclosure.
- (14) See Fuse Certification and Test Data in PowerFlex AC Drives in Common Bus Configurations Application Guidelines, publication [DRIVES-AL002](#), for fuse self-certification and test data for Busmann 170M and JKS fuses recommended for the DC bus fusing.

Table 24 - 400 Volt AC and 540 Volt DC Input Protection Devices – Floor Mount Frames 8...10

Applied Rating ⁽¹⁾	Cont. Output Amps	Duty	Cat. No.	Output Overload Amps		Continuous AC Input	AC Input Integral Semiconductor Fuse Size (170M) ⁽⁴⁾	DC Bay to Bay Integral Semiconductor Fuse Size (170M)	AC Input Protection Devices Recommended for Branch Circuit Protection (Does not apply to 2.1G Drives with Options)						Input Quantities		DC Input Integral Semiconductor Fuse Size (170M) ⁽⁸⁾		
				1 min	3 s				Dual Element Time Delay Fuse			Non-Time Delay Fuse			Circuit Breaker Max Size ⁽⁶⁾	Motor Circuit Protector ⁽⁷⁾		Continuous DC Input	Amps
									1/Phase Min ⁽⁴⁾	2/Phase Min ⁽⁴⁾	Max ⁽⁵⁾	1/Phase Min ⁽⁴⁾	2/Phase Min ⁽⁴⁾	Max ⁽⁵⁾					
400V AC Input																			
200 kW	8	385	Heavy	206...C460	578	693	380	1100	–	500	–	850	500	–	1100	1100	1600		
250 kW	8	460	Normal	206...C460	506	693	455	1100	–	600	–	1000	600	–	1300	1300	1600		
		456	Heavy	206...C540	684	821	450	1100	–	600	–	1000	600	–	1300	1300	1600		
		472	Heavy	206...C567	708	851	466	1100	–	600	–	1000	600	–	1400	1400	1600		
315 kW	8	540	Light	206...C460	594	–	534	1100	350	700	350	1200	700	350	1600	1600	1600		
		540	Normal	206...C540	594	821	533	1100	350	700	350	1200	700	350	1600	1600	1600		
		540	Heavy	206...C650	810	975	533	1100	–	700	–	1200	700	–	1600	1600	1600		
315 kW	8	585	Light	206...C540	644	–	578	1100	375	750	375	1300	750	375	1700	1700	1600		
		567	Normal	206...C567	624	851	560	1100	375	750	375	1200	750	375	1700	1700	1600		
		585	Heavy	206...C750	878	1125	577	1100	375	750	375	1300	750	375	1700	1700	1600		
355 kW	8	612	Light	206...C567	673	–	604	1100	400	800	400	1300	800	400	1800	1800	1600		
		650	Normal	206...C650	715	975	640	1100	425	850	425	1400	850	425	1900	1900	1600		
		642	Heavy	206...C770	963	1155	634	1100	400	800	400	1400	800	400	1900	1900	1600		
400 kW	8	750	Light	206...C650	825	–	739	1100	500	1000	500	1600	1000	500	2200	2200	1600		
		750	Normal	206...C750	825	1125	739	1100	500	1000	500	1600	1000	500	2200	2200	1600		
		770	Normal	206...C770	847	1155	758	1100	500	1000	500	1700	1000	500	2300	2300	1600		
450 kW	8	796	Light	206...C750	876	–	784	1100	500	1000	500	1700	1000	500	2300	2300	1600		
		832	Light	206...C770	915	–	819	1100	550	1100	550	1800	1100	550	2400	2400	1600		
400 kW	9	750	Heavy	206...C910	1125	1365	739	1100	450	900	450	1700	900	450	2200	2200	1600 ⁽³⁾		
500 kW	9	880	Heavy	206...C1K0	1320	1584	867	1100	550	1100	550	2000	1100	550	2600	2600	1600 ⁽³⁾		
		910	Heavy	206...C1K1	1365	1638	896	1100	550	1100	550	2000	1100	550	2700	2700	1600 ⁽³⁾		
		910	Normal	206...C910	1001	1365	896	1100	550	1100	550	2000	1100	550	2700	2700	1600 ⁽³⁾		
560 kW	9	1040	Light	206...C910	1144	–	1024	1100	650	1300	650	2300	1300	650	3100	3100	1600 ⁽³⁾		
		1040	Normal	206...C1K0	1144	1584	1024	1100	650	1300	650	2300	1300	650	3100	3100	1600 ⁽³⁾		
		1040	Heavy	206...C1K2	1560	1872	1024	1100	650	1300	650	2300	1300	650	3100	3100	1600 ⁽³⁾		

Table 24 - 400 Volt AC and 540 Volt DC Input Protection Devices – Floor Mount Frames 8...10 (Continued)

Applied Rating ⁽¹⁾	Cont. Output Amps	Duty	Cat. No.	Output Overload Amps		Continuous AC Input	AC Input Integral Semiconductor Fuse Size (170M) ⁽²⁾	DC Bay to Bay Integral Semiconductor Fuse Size (170M)	AC Input Protection Devices Recommended for Branch Circuit Protection (Does not apply to 2.1G Drives with Options)					Input Quantities		DC Input Integral Semiconductor Fuse Size (170M) ⁽⁸⁾		
				1 min	3 s				Dual Element Time Delay Fuse		Non-Time Delay Fuse			Circuit Breaker Max Size ⁽⁶⁾	Motor Circuit Protector ⁽⁷⁾		Continuous DC Input	Amps
									1/Phase Min ⁽⁴⁾	2/Phase Min ⁽⁴⁾	Max ⁽⁵⁾	1/Phase Min ⁽⁴⁾	2/Phase Min ⁽⁴⁾					
630 kW	9	Light	206...C1K0	1199	—	1073	1100	1400 ⁽³⁾	1350	675	2400	1350	675	3200	3200	1350	1600 ⁽³⁾	
		Normal	206...C1K1	1199	1638	1073	1100	1400 ⁽³⁾	1350	675	2400	1350	675	3200	3200	1350	1600 ⁽³⁾	
		Heavy	206...C1K4	1635	2198	1073	1100	1400 ⁽³⁾	1350	675	2400	1350	675	3200	3200	1350	1600 ⁽³⁾	
710 kW	9	Light	206...C1K1	1293	—	1157	1100	1400 ⁽³⁾	1450	725	2600	1450	725	3500	3500	1450	1600 ⁽³⁾	
		Normal	206...C1K2	1293	1872	1157	1100	1400 ⁽³⁾	1450	725	2600	1450	725	3500	3500	1450	1600 ⁽³⁾	
		Heavy	206...C1K5	1763	2220	1157	1100	1400 ⁽³⁾	1450	725	2600	1450	725	3500	3500	1450	1600 ⁽³⁾	
800 kW	10	Light	206...C1K6	1988	2385	1305	1100	1400 ⁽³⁾	1650	825	2900	1650	825	3900	3900	1650	1600 ⁽³⁾	
		Normal	206...C1K2	1612	—	1443	1100	1400 ⁽³⁾	1800	900	3200	1800	900	4300	4300	1800	1600 ⁽³⁾	
		Heavy	206...C1K4	1612	2198	1443	1100	1400 ⁽³⁾	1800	900	3200	1800	900	4300	4300	1800	1600 ⁽³⁾	
850 kW	9	Light	206...C1K4	1628	—	1457	1100	1400 ⁽³⁾	1800	900	3300	1800	900	4400	4400	1800	1600 ⁽³⁾	
		Normal	206...C1K5	1628	2220	1457	1100	1400 ⁽³⁾	1800	900	3300	1800	900	4400	4400	1800	1600 ⁽³⁾	
		Heavy	206...C1K5	1760	—	1576	1100	1400 ⁽³⁾	1950	975	3500	1950	975	4700	4700	1950	1600 ⁽³⁾	
900 kW	10	Light	206...C1K6	1749	2385	1566	1100	1400 ⁽³⁾	1950	975	3500	1950	975	4700	4700	1950	1600 ⁽³⁾	
		Normal	206...C1K6	1887	2058	1689	1100	1400 ⁽³⁾	2100	1050	3800	2100	1050	5100	5100	2100	1600 ⁽³⁾	
		Heavy	206...C2K1	2700	3240	1773	1100	1400 ⁽³⁾	2200	1100	4000	2200	1100	5300	5300	2200	1600 ⁽³⁾	
1000 kW	10	Light	206...C2K1	2365	3240	2117	1100	1400 ⁽³⁾	2650	1325	4800	2650	1325	6400	6400	2650	1600 ⁽³⁾	
		Heavy	206...C2K1	2563	2796	2294	1100	1400 ⁽³⁾	2850	1425	5200	2850	1425	6900	6900	2850	1600 ⁽³⁾	

(1) 'Applied Rating' refers to the motor that will be connected to the drive. For example, a 'C460' drive can be used in Normal Duty mode on a 250 kW motor, in Heavy-duty mode on a 200 kW motor or in Light-duty mode on a 315 kW motor. The drive can be programmed for each mode. Wiring and fuses can be sized based on the programmed mode. For any given drive catalog number, Normal Duty mode provides higher continuous current but smaller overload current when compared to Heavy-duty mode. See parameter 306 [Duty Rating]. See Specifications for an explanation of Duty Ratings.

(2) These AC line fuses (with blown fuse indicators) are included in the drive to provide drive short circuit protection. AC input protection devices for branch circuit protection based on US NEC are listed in the table. Each drive bay has one fuse per phase.

(3) Each drive bay has one fuse per DC line.

(4) Minimum protection device size is the lowest rated device that supplies maximum protection without nuisance tripping.

(5) Maximum protection device size is the highest rated device that supplies drive protection. For US NEC, minimum size is 125% of motor FLA. Ratings that are shown are maximum.

(6) Circuit Breaker – inverse time breaker. For US NEC, minimum size is 125% of motor FLA. Ratings that are shown are maximum.

(7) Recommended Motor circuit protector – instantaneous trip circuit breaker. Set the trip setting to the input current of the drive and size for the continuous current of the system.

(8) These DC line fuses (with blown fuse indicators) are included in the drive to provide drive short circuit protection.

Table 25 - 480 Volt AC and 650 Volt DC Input Protection Devices – Wall Mount Frames 1...7

Applied Rating ⁽¹⁾	Cont. Output Amps	AC Input Protection Devices												DC Input Protection ⁽¹⁵⁾					
		Drive Sized For Normal Duty			Drive Sized For Heavy Duty			Input Quantities			Motor Protection Devices				Input Quantities				
		Cat. No.	Output Overload Amps	1 min	3 s	Cat. No.	Output Overload Amps	1 min	3 s	Continuous AC Input	Dual Element Time Delay Fuse	Non-Time Delay Fuse	Circuit Breaker Max Size ⁽⁶⁾			Circuit Breaker, Dual Element Time Delay Fuse	Motor Circuit Protector ⁽⁸⁾	140M Type E Combination Motor Controller with Adjustable Current Range ⁽⁹⁾⁽¹⁰⁾	Continuous DC Input
(x = F or G)				(x = F or G)				kVA	Min ⁽⁴⁾	Max ⁽⁵⁾	Min ⁽⁴⁾	Max ⁽⁵⁾	Max ⁽⁵⁾	Min Enclosure Volume (in. ³) ⁽⁷⁾	Min Enclosure Volume (in. ³) ⁽¹⁴⁾				
480 Volt AC Input																			
0.5 Hp	1.1				2.3	3.2	0.7	0.9	2	3	2	3	15	3840	3	M-xxx-B25 ⁽¹¹⁾	7269	JKS-6	1
1.0 Hp	2.1	20x...D2P1	3.2	5.1	3.7	5.1	1.3	1.6	2	3	2	3	15	3840	3	M-xxx-B25 ⁽¹²⁾	7269	JKS-6	1.9
2.0 Hp	3.4	20x...D3P4	3.7	5.1	5.5	7.5	2.2	2.6	6	6	6	6	15	3840	7	M-xxx-R40 ⁽¹²⁾	7269	JKS-6	3.0
3.0 Hp	5	20x...D5P0	5.5	7.5	8.8	12.0	3.2	3.9	6	6	6	6	20	3840	7	M-xxx-B63 ⁽¹²⁾	7269	JKS-10	4.5
5.0 Hp	8	20x...D8P0	8.8	12.0	12.1	16.5	5.7	6.9	10	15	10	15	30	3840	15	M-xxx-C10 ⁽¹²⁾	7269	HSJ15	8.1
7.5 Hp	11	20x...D011	12.1	16.5	16.5	21.0	7.9	9.5	15	20	15	20	40	3840	15	M-xxx-C16 ⁽¹²⁾	7269	HSJ20	11.1
10 Hp	14	20x...D014	15.4	21.0			10.4	12.5	20	25	20	25	50	3840	20	M-xxx-C16 ⁽¹²⁾	7269	HSJ30	14.7
1.0 Hp	2.1	20x...D2P1	3.1	3.7	3.1	3.7	1.3	1.6	2	6	2	8	15	3840	3	M-xxx-B25 ⁽¹²⁾	9086	JKS-6	1.9
2.0 Hp	3.4	20x...D3P4	5.1	6.1	5.1	6.1	2.2	2.6	4	7	4	12	15	3840	7	M-xxx-R40 ⁽¹²⁾	9086	JKS-6	3.0
3.0 Hp	5	20x...D5P0	7.5	9.0	7.5	9.0	3.2	3.9	6	10	6	20	20	3840	7	M-xxx-B63 ⁽¹²⁾	9086	JKS-10	4.5
5.0 Hp	8	20x...D8P0	12.0	14.4	12.0	14.4	5.7	6.9	10	17.5	10	30	30	3840	15	M-xxx-C10 ⁽¹²⁾	9086	HSJ15	8.1
7.5 Hp	11	20x...D011	16.5	19.8	16.5	19.8	7.9	9.5	12	20	12	40	40	3840	15	M-xxx-C16 ⁽¹²⁾	9086	HSJ20	11.1
10 Hp	14	20x...D014	21.0	25.2	21.0	25.2	10.4	12.5	20	30	20	55	50	3840	20	M-xxx-C16 ⁽¹²⁾	9086	HSJ30	14.7
15 Hp	22	20x...D022	33.0	40.5	33.0	40.5	16.6	19.9	30	50	30	80	80	3840	30	M-xxx-C25 ⁽¹³⁾	9086	HSJ40	23.3
20 Hp	27	20x...D027	40.5	51.0	40.5	51.0	20.6	24.8	35	60	35	100	100	4800	50	M-FBE-C32	9086	HSJ50	28.9
25 Hp	34	20x...D034	51.0	61.2	51.0	61.2	25.9	31.2	45	75	45	125	100	4800	50	M-FBE-C45	9086	HSJ60	36.4
30 Hp	40	20x...D040	60.0	78.0	60.0	78.0	30.5	36.7	50	90	50	150	120	4800	50	M-FBE-C45	9086	HSJ80	42.9
40 Hp	52	20x...D052	78.0	97.5	78.0	97.5	39.7	47.7	65	110	65	200	150	4800	70			HSJ90	55.7
50 Hp	65	20x...D065	97.5	117.0	97.5	117.0	49.6	59.6	90	125	90	250	175	4800	100			HSJ100	69.7
60 Hp	77	20x...D077	115.5	144.0	115.5	144.0	60.1	72.3	100	170	100	300	225	7200	100			HSJ150	84.5
75 Hp	96	20x...D096	144.0	187.5	144.0	187.5	74.9	90.1	125	200	125	375	275	7200	125			HSJ175	105.3
100 Hp	125	20x...D125	187.5	234.0	187.5	234.0	97.6	117.4	175	275	175	500	375		250			HSJ200	137.1
125 Hp	156	20x...D156	234.0	280.8	234.0	280.8	121.8	146.5	200	350	200	600	450		250			HSJ300	171.2
150 Hp	186	20x...D186	279.0	346.2	279.0	346.2	145.2	174.6	250	400	250	600	550		250			HSJ400	204.1
200 Hp	248	20x...D248	372.0	453.6	372.0	453.6	193.6	232.8	325	550	325	700	700		400			HSJ400	272.1
250 Hp	302	20x...D302	453.0	543.6	453.0	543.6	235.7	283.5	400	675	400	900	900		600			Blussman 170M6608	331.3

Table 25 - 480 Volt AC and 650 Volt DC Input Protection Devices – Wall Mount Frames 1...7 (Continued)

Applied Rating ⁽¹⁾	Cont. Output Amps	Drive Sized For Normal Duty				Drive Sized For Heavy Duty				AC Input Protection Devices				Input Quantities	DC Input Protection ⁽¹⁵⁾		
		Cat. No.		Output Overload Amps		Cat. No.		Output Overload Amps		Dual Element Time Delay Fuse	Non-Time Delay Fuse	Circuit Breaker Max Size ⁽⁶⁾	Circuit Breaker, Dual Element Time Delay Fuse			Motor Circuit Protector ⁽⁸⁾	140M Type E Combination Motor Controller with Adjustable Current Range ⁽⁹⁾ (10)
		(x = F or G)	1 min	3 s	3 s	(x = F or G)	1 min	3 s	3 s								
300 Hp	361	20x...D361	397.1	541.5	20x...D415	541.5	649.8	281.8	338.9	475	800	475	1000	600		396.1	Bussman 170M6612
		20x...D415	456.5	622.5	20x...D477	541.5	649.8	281.8	338.9	475	800	475	1000	600		396.1	Bussman 170M6612
350 Hp	415	20x...D415	456.5	622.5				323.9	389.6	525	900	525	1200	600		455.3	Bussman 170M6612
400 Hp	477	20x...D477	524.7	715.5				372.3	447.8	600	1000	600	1400	600		523.3	Bussman 170M6613

- (1) 'Applied Rating' refers to the motor that will be connected to the drive. For example, a 'D022' drive can be used in Normal Duty mode on a 15 Hp motor, or in Heavy-duty mode on a 10 Hp motor. A 'D014' drive can be used in Heavy-duty mode on a 7.5 Hp motor with the same ratings as a 'D011'. The drive can be programmed for either mode. Wiring and fuses can be sized based on the programmed mode. For any given drive catalog number, Normal Duty mode provides higher continuous current but smaller overload current that is compared to Heavy-duty mode. See parameter 306 (Duty Rating).
- (2) Enclosure codes F, N, and R only. See Frame/Rating Cross-reference in PowerFlex 750-Series AC Drives Technical Data, publication [Z50-1D001](#), for frame sizes of other enclosure types.
- (3) This drive is the next larger frame size.
- (4) Minimum protection device size is the lowest rated device that supplies maximum protection without nuisance tripping.
- (5) Maximum protection device size is the highest rated device that supplies drive protection. For US NEC, minimum size is 125% of motor FLA. Ratings that are shown are maximum.
- (6) Circuit Breaker – inverse time breaker. For US NEC, minimum size is 125% of motor FLA. Ratings that are shown are maximum.
- (7) When using a circuit breaker or time-delay fuse with a drive installed in a ventilated enclosure, the enclosure volume must be greater than or equal to the minimum volume specified in this column. Application-specific thermal considerations can require a larger enclosure.
- (8) Recommended Motor circuit protector – instantaneous trip circuit breaker. Set the trip setting to the input current of the drive and size for the continuous current of the system.
- (9) For Bulletin 140M with adjustable current range, set the current trip to the minimum range that the device will not trip.
- (10) Manual Self-Protected (Type E) Combination Motor Controller, IUL Listed for 480Y/277V and 600Y/347V AC Input. Not UL Listed for use on 480V or 600V Delta/Delta, corner ground, or high-resistance ground systems.
- (11) Bulletin 140M must be frame C (CZE), frame D (D8E), or frame F (F8E).
- (12) Bulletin 140M must be frame C (CZE), frame D (D8E), or frame F (F8E).
- (13) Bulletin 140M must be frame D (D8E) or frame F (F8E).
- (14) When using a Manual Self-Protected (Type E) Combination Motor Controller, the drive must be installed in a ventilated or non-ventilated enclosure with the minimum volume that is specified in this column. Application-specific thermal considerations may require a larger enclosure.
- (15) See Fuse Certification and Test Data in PowerFlex AC Drives in Common Bus Configurations Application Guidelines, publication [DRIVES-AD002](#), for fuse self-certification and test data for Bussmann 170M and JKS fuses recommended for the DC bus fusing.

Table 26 - 480 Volt AC and 650 Volt DC Input Protection Devices – Floor Mount Frames 8...10

Applied Rating ⁽¹⁾	Frame	Cont. Output Amps	Duty	Cat. No.	Output Overload Amps		Continuous AC Input	AC Input Integral Semiconductor Fuse Size (170M) ⁽²⁾	DC Bay to Bay Integral Semiconductor Fuse Size (170M)	AC Input Protection Devices Recommended for Branch Circuit Protection (Does not apply to ZLG Drives with Options)						Motor Circuit Protector ⁽⁷⁾	DC Input Integral Semiconductor Fuse Size (170M) ⁽⁸⁾
					1 min	3 s				Dual Element Time Delay Fuse		Non-Time Delay Fuse		Circuit Breaker Max Size ⁽⁶⁾	Amps		
							1/Phase Min ⁽⁴⁾	2/Phase Min ⁽⁴⁾	Max ⁽⁵⁾	1/Phase Min ⁽⁴⁾	2/Phase Min ⁽⁴⁾	Max ⁽⁵⁾				Continuous DC Input	Amps
480V AC Input																	
300 Hp	8	370	Heavy	206...D430	555	666	349	1100	-	800	450	-	1100	1100	450	1600	
350 Hp	8	430	Normal	206...D430	473	666	406	1100	-	900	550	-	1200	1200	550	1600	
		414	Heavy	206...D485	621	745	391	1100	-	900	500	-	1200	1200	500	1600	
		454	Heavy	206...D545	681	818	428	1100	-	1000	550	-	1300	1300	550	1600	
400 Hp	8	485	Light	206...D430	534	-	458	1100	-	1000	600	-	1400	1400	600	1600	
		485	Normal	206...D485	534	745	458	1100	-	1000	600	-	1400	1400	600	1600	
		485	Heavy	206...D617	728	926	458	1100	-	1000	600	-	1400	1400	600	1600	
450 Hp	8	545	Light	206...D485	600	-	514	1100	-	1200	650	-	1600	1600	650	1600	
		545	Normal	206...D545	600	818	514	1100	-	1200	650	-	1600	1600	650	1600	
		545	Heavy	206...D710	818	1065	514	1100	-	1200	650	325	1600	1600	650	1600	
500 Hp	8	590	Light	206...D545	649	-	557	1100	-	1300	700	-	1700	1700	700	1600	
		617	Normal	206...D617	679	926	582	1100	-	1300	750	325	1800	1800	800	1600	
		617	Heavy	206...D740	926	1110	582	1100	-	1300	750	375	2400	1800	800	1600	
600 Hp	8	710	Light	206...D617	781	-	670	1100	-	1500	850	425	2100	2100	900	1600	
		710	Normal	206...D710	781	1065	670	1100	-	1500	850	425	2100	2100	900	1600	
650 Hp	8	765	Light	206...D710	842	-	722	1100	-	1700	1000	500	2200	2200	1000	1600	
		740	Normal	206...D740	814	1110	698	1100	-	1600	900	450	2200	2200	900	1600	
700 Hp	8	800	Light	206...D740	880	-	755	1100	-	1800	1000	500	1800	2400	1000	1600	
600 Hp	9	710	Heavy	206...D800	1065	1278	670	1100	1400 ⁽³⁾	1500	850	425	2000	2000	850	1600 ⁽³⁾	
700 Hp	9	795	Heavy	206...D960	1193	1440	750	1100	1400 ⁽³⁾	1700	950	475	2300	2300	950	1600 ⁽³⁾	
		800	Normal	206...D800	880	1278	755	1100	1400 ⁽³⁾	1700	950	475	2300	2300	950	1600 ⁽³⁾	
750 Hp	9	800	Heavy	206...D1K0	1200	1568	755	1100	1400 ⁽³⁾	1700	950	475	2300	2300	950	1600 ⁽³⁾	
800 Hp	9	960	Light	206...D800	1056	-	906	1100	1400 ⁽³⁾	2000	1150	575	2700	2700	1150	1600 ⁽³⁾	
		960	Normal	206...D960	1056	1440	906	1100	1400 ⁽³⁾	2000	1150	575	2700	2700	1150	1600 ⁽³⁾	
		960	Heavy	206...D1K2	1440	1728	906	1100	1400 ⁽³⁾	2000	1150	575	2700	2700	1150	1600 ⁽³⁾	

Table 26 - 480 Volt AC and 650 Volt DC Input Protection Devices – Floor Mount Frames 8...10 (Continued)

Applied Rating ⁽¹⁾	Cont. Output Amps	Duty	Cat. No.	Output Overload Amps		Continuous AC Input	AC Input Integral Semiconductor Fuse Size (170M) ⁽²⁾	DC Bay to Bay Integral Semiconductor Fuse Size (170M)	AC Input Protection Devices Recommended for Branch Circuit Protection (Does not apply to 2LG Drives with Options)						Input Quantities		DC Input Integral Semiconductor Fuse Size (170M) ⁽⁸⁾		
				1 min	3 s				Dual Element Time Delay Fuse			Non-Time Delay Fuse			Circuit Breaker Max Size ⁽⁶⁾	Motor Circuit Protector ⁽⁷⁾		Continuous DC Input	Amps
									1/Phase Min ⁽⁴⁾	2/Phase Min ⁽⁴⁾	Max ⁽⁵⁾	1/Phase Min ⁽⁴⁾	2/Phase Min ⁽⁴⁾	Max ⁽⁵⁾					
900 Hp	1045	Light	206...D960	1150	—	986	1100	1400 ⁽³⁾	1250	625	2200	1250	625	3000	3000	1250	1600 ⁽³⁾		
	1045	Normal	206...D1K0	1150	1568	986	1100	1400 ⁽³⁾	1250	625	2200	1250	625	3000	3000	1250	1600 ⁽³⁾		
	1045	Heavy	206...D1K3	1568	2048	986	1100	1400 ⁽³⁾	1250	625	2200	1250	625	3000	3000	1250	1600 ⁽³⁾		
1000 Hp	1135	Light	206...D1K0	1249	—	1071	1100	1400 ⁽³⁾	1350	675	2400	1350	675	3200	3200	1350	1600 ⁽³⁾		
	1135	Normal	206...D1K2	1249	1728	1071	1100	1400 ⁽³⁾	1350	675	2400	1350	675	3200	3200	1350	1600 ⁽³⁾		
	1135	Heavy	206...D1K4	1703	2130	1071	1100	1400 ⁽³⁾	1350	675	2400	1350	675	3200	3200	1350	1600 ⁽³⁾		
1100 Hp	1365	Light	206...D1K2	1502	—	1288	1100	1400 ⁽³⁾	1600	800	2900	1600	800	3900	3900	1600	1600 ⁽³⁾		
	1365	Normal	206...D1K3	1502	2048	1288	1100	1400 ⁽³⁾	1600	800	2900	1600	800	3900	3900	1600	1600 ⁽³⁾		
	1270	Heavy	206...D1K5	1905	2288	1199	1100	1400 ⁽³⁾	1500	750	2700	1500	750	3600	3600	1500	1600 ⁽³⁾		
1250 Hp	1420	Light	206...D1K3	1562	—	1340	1100	1400 ⁽³⁾	1700	850	3000	1700	850	4000	4000	1700	1600 ⁽³⁾		
	1420	Normal	206...D1K4	1562	2130	1340	1100	1400 ⁽³⁾	1700	850	3000	1700	850	4000	4000	1700	1600 ⁽³⁾		
	1350 Hp	Light	206...D1K4	1694	—	1453	1100	1400 ⁽³⁾	1800	900	3300	1800	900	4400	4400	1800	1600 ⁽³⁾		
1500 Hp	1525	Normal	206...D1K5	1678	2288	1439	1100	1400 ⁽³⁾	1800	900	3200	1800	900	4300	4300	1800	1600 ⁽³⁾		
	1655	Light	206...D1K5	1821	1986	1562	1100	1400 ⁽³⁾	1950	975	3500	1950	975	4700	4700	1950	1600 ⁽³⁾		
	1650 Hp	Heavy	206...D2K0	2595	3114	1633	1100	1400 ⁽³⁾	2050	1025	3700	2050	1025	4900	4900	2050	1600 ⁽³⁾		
1750 Hp	2070	Normal	206...D2K0	2277	3114	1953	1100	1400 ⁽³⁾	2450	1225	4400	2450	1225	5900	5900	2450	1600 ⁽³⁾		
	2000 Hp	Light	206...D2K0	2464	2688	2114	1100	1400 ⁽³⁾	2650	1325	4800	2650	1325	6300	6300	2650	1600 ⁽³⁾		

(1) 'Applied Rating' refers to the motor that will be connected to the drive. For example, a 'D430' drive can be used in Normal Duty mode on a 350 Hp motor, in Heavy-duty mode on a 300 Hp motor or in Light-duty mode on a 400 Hp motor. The drive can be programmed for each mode. Wiring and fuses can be sized based on the programmed mode. For any given drive catalog number, Normal Duty mode provides higher continuous current but smaller overload current when compared to Heavy-duty mode. See parameter 306 [Duty Rating]. See Specifications for an explanation of Duty Ratings.

(2) These AC line fuses (with blown fuse indicators) are included in the drive to provide drive short circuit protection. AC input protection devices for branch circuit protection based on US NEC are listed in the table. Each drive bay has one fuse per phase.

(3) Each drive bay has one fuse per DC line.

(4) Minimum protection device size is the lowest rated device that supplies maximum protection without nuisance tripping.

(5) Maximum protection device size is the highest rated device that supplies drive protection. For US NEC, minimum size is 125% of motor FLA. Ratings shown are maximum.

(6) Circuit Breaker – inverse time breaker. For US NEC, minimum size is 125% of motor FLA. Ratings shown are maximum.

(7) Recommended Motor circuit protector – instantaneous trip circuit breaker. Set the trip setting to the input current of the drive and size for the continuous current of the system.

(8) These DC line fuses (with blown fuse indicators) are included in the drive to provide drive short circuit protection.

Table 27 - 600 Volt AC and 810 Volt DC Input Protection Devices – Wall Mount Frames 3...7

Applied Rating ⁽¹⁾	Cont. Output Amps	Drive Sized For Normal Duty				Drive Sized For Heavy Duty				Continuous AC Input		AC Input Protection Devices						DC Input Protection ⁽¹⁴⁾			
		Cat. No.		Output Overload Amps		Cat. No.		Output Overload Amps		Amps		Dual Element Time Delay Fuse	Non-Time Delay Fuse	Circuit Breaker Max Size ⁽⁶⁾	Circuit Breaker, Dual Element Time Delay Fuse	Motor Circuit Protector ⁽⁸⁾	140M Type E Combination Motor Controller with Adjustable Current Range ⁽⁹⁾⁽¹⁰⁾	Cat. No.	Min Enclosure Volume (in. ³) ⁽¹³⁾	Amps	Continuous DC Input
		(x = F or G)	1 min	3 s	(x = F or G)	1 min	3 s	Min ⁽²⁾	Max ⁽³⁾	Min ⁽²⁾	Max ⁽³⁾										
600 Volt AC Input																					
0.5 Hp	3	0.9				20x...E1P7	1.4	2.6	0.8	1	2	1	3	3	4800	1	M-xxx-B16 ⁽¹¹⁾	9086	1.0	JKS-2	
1 Hp	3	1.7	20x...E1P7	1.9	2.6	20x...E2P7	2.6	4.1	1.6	2	4	2	5	5	4800	2	M-xxx-B25 ⁽¹¹⁾	9086	1.9	JKS-4	
2 Hp	3	2.7	20x...E2P7	3.0	4.1	20x...E3P9	4.1	5.9	2.5	3	6	3	8	8	4800	3	M-xxx-B40 ⁽¹¹⁾	9086	3.0	JKS-5	
3 Hp	3	3.9	20x...E3P9	4.3	5.9	20x...E6P1	5.9	9.2	3.7	5	8	5	11 ⁽⁴⁾ , 10 ⁽⁵⁾	11 ⁽⁴⁾ , 20 ⁽⁵⁾	4800	5	M-D8E-B63	9086	4.3	JKS-8	
5 Hp	3	6.1	20x...E6P1	6.7	9.2	20x...E9P0	9.2	13.5	5.7	7	13	7	15	20	4800	10	M-D8E-B63	9086	6.7	HSJ10	
7.5 Hp	3	9	20x...E9P0	9.9	13.5	20x...E011	13.5	16.5	8.4	11	19	11	25	30	4800	15	M-xxx-C10 ⁽¹²⁾	9086	9.9	HSJ15	
10 Hp	3	11	20x...E011	12.1	16.5	20x...E017	16.5	25.5	10.3	13	23	13	30	40	4800	15	M-xxx-C16 ⁽¹²⁾	9086	12.0	HSJ20	
15 Hp	3	17	20x...E017	18.7	25.5	20x...E022	25.5	33.0	16.0	20	36	20	50	50	4800	20	M-FBE-C20	9086	18.6	HSJ30	
20 Hp	3	22	20x...E022	24.2	33.0				20.7	26	46	26	60	70	4800	30	M-FBE-C25	9086	24.1	HSJ40	
	4	22				20x...E027	33.0	40.5	20.7	26	46	26	60	70	4800	30	M-FBE-C25	9086	24.1	HSJ40	
25 Hp	4	27	20x...E027	29.7	40.5	20x...E032	40.5	48.6	25.3	32	57	32	75	80	4800	35	M-FBE-C32	9086	29.6	HSJ50	
30 Hp	4	32	20x...E032	35.2	48.0				30.0	38	68	38	90	100	4800	40	M-FBE-C32	9086	35.0	HSJ60	
	5	32				20x...E041	48.0	61.5	30.0	38	68	38	90	100	7200	40	M-FBE-C32	13630	35.0	HSJ60	
40 Hp	5	41	20x...E041	45.1	61.5	20x...E052	61.5	78.0	38.5	48	87	48	115	120	7200	50			44.9	HSJ70	
50 Hp	5	52	20x...E052	57.2	78.0				48.8	61	110	61	145	150	7200	65			56.9	HSJ90	
7.5 Hp	6	9.1				20x...E012	13.7	18.0	8.5	11	19	11	25	30		15	M-xxx-C10 ⁽¹²⁾	14400	10.0	HSJ15	
10 Hp	6	12	20x...E012	13.2	18.0	20x...E018	18.0	27.0	11.3	14	25	14	35	40		15	M-xxx-C16 ⁽¹²⁾	14400	13.1	HSJ20	
15 Hp	6	18	20x...E018	19.8	27.0	20x...E023	27.0	34.5	16.9	21	38	21	50	60		25	M-FBE-C20	14400	19.7	HSJ30	
20 Hp	6	23	20x...E023	25.3	34.5	20x...E028	34.5	42.0	21.6	27 ⁽⁴⁾ , 25 ⁽⁵⁾	49 ⁽⁴⁾ , 50 ⁽⁵⁾	27 ⁽⁴⁾ , 25 ⁽⁵⁾	65	70		30	M-FBE-C25	14400	25.2	HSJ40	
	6	24	20x...E024	26.4	36.0				22.5	28	51	28	70	70		30	M-FBE-C25	14400	26.3	HSJ40	
25 Hp	6	28	20x...E028	30.8	42.0	20x...E033	42.0	50.4	26.3	26	46	26	60	70		30	M-FBE-C25	14400	24.1	HSJ40	
30 Hp	6	33	20x...E033	36.3	49.5	20x...E042	49.5	63.0	31.0	35	60	35	80	80		35	M-FBE-C32	14400	30.7	HSJ50	
40 Hp	6	42	20x...E042	46.2	63.0	20x...E053	63.0	79.5	39.4	40	70	40	95	100		40	M-FBE-C32	14400	36.1	HSJ60	
50 Hp	6	53 ⁽⁴⁾ , 52 ⁽⁵⁾	20x...E053	58.3	79.5	20x...E063	78.0	94.5	49.8 ⁽⁴⁾ , 48.8 ⁽⁵⁾	60	110	60	150 ⁽⁴⁾ , 145 ⁽⁵⁾	150		65			58.0 ⁽⁴⁾ , 56.9 ⁽⁵⁾	46.0	HSJ70

Table 27 - 600 Volt AC and 810 Volt DC Input Protection Devices – Wall Mount Frames 3...7 (Continued)

Applied Rating ⁽¹⁾	Cont. Output Amps	Drive Sized For Normal Duty		Drive Sized For Heavy Duty		Continuous AC Input		AC Input Protection Devices						DC Input Protection ⁽¹⁴⁾				
		Cat. No.	Output Overload Amps	Cat. No.	Output Overload Amps	1 min	3 s	Amps	Dual Element Time Delay Fuse		Non-Time Delay Fuse	Circuit Breaker Max Size ⁽⁶⁾	Circuit Breaker Dual Element Time Delay Fuse	Motor Circuit Protector ⁽⁸⁾	140M Type E Combination Motor Controller with Adjustable Current Range ⁽⁹⁾ (10)		Continuous DC Input	Non-Time Delay Fuse
									Min ⁽²⁾	Max ⁽³⁾					Min Enclosure Volume (in. ³) ⁽⁷⁾	Max ⁽³⁾		
60 Hp	63	20x...E063	69.3	94.5	20x...E077	94.5	115.5	59.1	75	135	175	180	75	75			69.0	HS1110
75 Hp	77	20x...E077	84.7	115.5	20x...E099	115.5	148.5	72.3	90	165	215	220	95	95			84.3	HS1150
100 Hp	99	20x...E099	108.9	148.5	20x...E125	148.5	187.5	92.9	115	210	280	280	120	120			108.4	HS1175
125 Hp	125	20x...E125	137.5	187.5	20x...E144	187.5	225.0	117.4	145	265	350	360	150	150			136.8	HS1225
150 Hp	144	20x...E144	158.4	216.0				135.2	170	300	400	400	170	170			157.6	HS1250
200 Hp	192	20x...E192	211.2	288.0	20x...E242	288.0	363.0	180.3	225	405	540	550	230	230			157.6	HS1250
250 Hp	242	20x...E242	266.2	363.0	20x...E289	363.0	435.6	227.2	285	510	680	690	285	285			210.2	HS1350
300 Hp	289	20x...E289	317.9	433.5				271.3	340	600	800	800	340	340			264.9	HS1400

- (1) 'Applied Rating' refers to the motor that will be connected to the drive. For example, a 'E063' drive can be used in Normal Duty mode on a 60 Hp motor, in Heavy-duty mode on a 50 Hp motor. The drive can be programmed for each mode. Wiring and fuses can be sized based on the programmed mode. For any given drive catalog number, Normal Duty mode provides higher continuous current but smaller overload current when compared to Heavy-duty mode. See Specifications for an explanation of Duty Ratings.
- (2) Minimum protection device size is the lowest rated device that supplies maximum protection without nuisance tripping.
- (3) Maximum protection device size is the highest rated device that supplies drive protection. For US NEC, minimum size is 125% of motor F.L.A. Ratings that are shown are maximum.
- (4) Normal duty.
- (5) Heavy duty.
- (6) Circuit Breaker – inverse time breaker. For US NEC, minimum size is 125% of motor F.L.A. Ratings that are shown are maximum.
- (7) When using a circuit breaker or time-delay fuse with a drive installed in a ventilated enclosure, the enclosure volume must be greater than or equal to the minimum volume specified in this column. Application-specific thermal considerations can require a larger enclosure.
- (8) Recommended Motor circuit protector – instantaneous trip circuit breaker. Set the trip setting to the input current of the drive and size for the continuous current of the system.
- (9) For Bulletin 140M with adjustable current range, set the current trip to the minimum range that the device will not trip.
- (10) Manual Self-Protected (Type E) Combination Motor Controller, UL Listed for 480Y/277V and 600Y/347V AC Input. Not UL Listed for use on 480V or 600V Delta/Delta, corner ground, or high-resistance ground systems.
- (11) Bulletin 140M must be frame C (CZE), frame D (D8E), or frame F (F8E).
- (12) Bulletin 140M must be frame D (D8E) or frame F (F8E).
- (13) When using a Manual Self-Protected (Type E) Combination Motor Controller, the drive must be installed in a ventilated or non-ventilated enclosure with the minimum volume that is specified in this column. Application-specific thermal considerations may require a larger enclosure.
- (14) See Fuse Certification and Test Data in PowerFlex AC Drives in Common Bus Configurations Application Guidelines, publication [D8VES-AL002](#), for fuse self-certification and test data for Bussmann 170M and JKS fuses recommended for the DC bus fusing.

Table 28 - 600 Volt AC and 810 Volt DC Input Protection Devices – Floor Mount Frames 8...10

Applied Rating ⁽¹⁾	Frame	Cont. Output Amps	Duty	Cat. No.	Output Overload Amps		Continuous AC Input	AC Input Integral Semiconductor Fuse Size (170M) ⁽²⁾	DC Bay to Bay Integral Semiconductor Fuse Size (170M6648)	AC Input Protection Devices Recommended for Branch Circuit Protection (Does not apply to 21G Drives with Options)						Motor Circuit Protector ⁽⁶⁾	DC Input Integral Semiconductor Fuse Size (170M6253) ⁽⁷⁾	
					1 min	3 s				Dual Element Time Delay Fuse			Non-Time Delay Fuse					Circuit Breaker Max Size ⁽⁵⁾
										1/Phase Min ⁽³⁾	2/Phase Min ⁽³⁾	Max ⁽⁴⁾	1/Phase Min ⁽³⁾	2/Phase Min ⁽³⁾	Max ⁽⁴⁾			
							Amps	Amps	Amps	1/Phase Min ⁽³⁾	2/Phase Min ⁽³⁾	Max ⁽⁴⁾	1/Phase Min ⁽³⁾	2/Phase Min ⁽³⁾	Max ⁽⁴⁾	Amps	Amps	
600V AC Input																		
250 Hp	8	272	Heavy	206...E295	408	490	257	900	—	350	175	600	350	175	800	800	350	1000
300 Hp	8	295	Heavy	206...E355	443	533	278	900	—	350	175	700	350	175	900	900	350	1000
		295	Normal	206...E295	325	490	278	900	—	400	200	700	400	200	1000	1000	400	1000
350 Hp	8	355	Light	206...E295	391	—	335	900	—	450	225	800	450	225	1100	1100	450	1000
		355	Normal	206...E355	391	533	335	900	—	450	225	800	450	225	1100	1100	450	1000
		329	Heavy	206...E395	494	593	310	900	—	400	200	700	400	200	1000	1000	400	1000
		355	Heavy	206...E435	533	639	335	900	—	450	225	800	450	225	1100	1100	450	1000
400 Hp	8	395	Light	206...E355	435	—	373	900	—	500	250	900	500	250	1200	1200	500	1000
		395	Normal	206...E395	435	593	373	900	—	500	250	900	500	250	1200	1200	500	1000
		395	Heavy	206...E460	593	711	373	900	—	500	250	900	500	250	1200	1200	500	1000
450 Hp	8	435	Light	206...E395	479	—	411	900	—	550	275	1000	550	275	1300	1300	550	1000
		435	Normal	206...E435	479	639	411	900	—	500	250	900	500	250	1200	1200	500	1000
		425	Heavy	206...E510	638	765	401	900	—	550	275	1000	550	275	1300	1300	550	1000
500 Hp	8	460	Light	206...E435	506	—	434	900	—	550	275	1000	550	275	1300	1300	550	1000
		510	Light	206...E460	561	—	481	900	—	650	325	1100	650	325	1500	1500	650	1000
		460	Normal	206...E460	506	711	434	900	—	550	275	1000	550	275	1300	1300	550	1000
550 Hp	8	510	Normal	206...E510	561	765	481	900	—	650	325	1100	650	325	1500	1500	650	1000
		545	Light	206...E510	600	—	514	900	—	650	325	1200	650	325	1600	1600	650	1000
500 Hp	9	510	Heavy	206...E595	765	918	481	900	1000	600	300	1100	600	300	1400	1400	600	1000
600 Hp	9	595	Heavy	206...E630	893	1071	562	900	1000	700	350	1300	700	350	1700	1700	700	1000
		595	Normal	206...E595	655	918	562	900	1000	700	350	1300	700	350	1700	1700	700	1000
700 Hp	9	630	Heavy	206...E760	945	1149	595	900	1000	750	375	1300	750	375	1800	1800	750	1000
		630	Normal	206...E630	693	1071	595	900	1000	750	375	1300	750	375	1800	1800	750	1000
		595	Light	206...E595	693	—	651	900	1000	800	400	1500	800	400	2000	2000	800	1000
750 Hp	9	700	Heavy	206...E825	1050	1260	661	900	1000	850	425	1500	850	425	2000	2000	850	1000
800 Hp	9	760	Heavy	206...E900	1140	1368	717	900	1000	900	450	1600	900	450	2200	2200	900	1000
		760	Normal	206...E760	836	1140	717	900	1000	900	450	1600	900	450	2200	2200	900	1000
		760	Light	206...E630	836	—	717	900	1000	900	450	1600	900	450	2200	2200	900	1000

Table 28 - 600 Volt AC and 810 Volt DC Input Protection Devices – Floor Mount Frames 8...10 (Continued)

Applied Rating ⁽¹⁾	Cont. Output Amps	Duty	Cat. No.	Output Overload Amps		Continuous AC Input	AC Input Integral Semiconductor Fuse Size (170M) ⁽²⁾	DC Bay to Bay Integral Semiconductor Fuse Size (170M6648)	AC Input Protection Devices Recommended for Branch Circuit Protection (Does not apply to 216 Drives with Options)						Motor Circuit Protector ⁽⁶⁾	DC Input Integral Semiconductor Fuse Size (170M6253) ⁽⁷⁾	
				1 min	3 s				Dual Element Time Delay Fuse		Non-Time Delay Fuse		Circuit Breaker Max Size ⁽⁵⁾	Input Quantities			Continuous DC Input
									1/Phase Min ⁽³⁾	2/Phase Min ⁽³⁾	Max ⁽⁴⁾	1/Phase Min ⁽³⁾					
900 Hp	815	Heavy	206...E980	1223	1470	769	900	1000	950	475	1700	950	475	2300	2300	1000	1000
	825	Normal	206...E825	908	1260	779	900	1000	950	475	1800	950	475	2300	2300	1000	1000
	835	Light	206...E760	919	—	788	900	1000	1000	500	1800	1000	500	2400	2400	1000	1000
950 Hp	900	Normal	206...E900	990	1368	849	900	1000	1050	525	1900	1050	525	2500	2500	1000	1000
	900	Light	206...E825	990	—	849	900	1000	1050	525	1900	1050	525	2500	2500	1000	1000
	980	Normal	206...E980	1078	1470	925	900	1000	1150	575	2100	1150	575	2800	2800	1000	1000
1000 Hp	980	Light	206...E900	1078	—	925	900	1000	1150	575	2100	1150	575	2800	2800	1000	1000
	920	Heavy	206...E1K1	1380	1665	868	900	1000	1100	550	2000	1100	550	2600	2600	1000	1000
	1045	Light	206...E980	1150	—	986	900	1000	1250	625	2200	1250	625	3000	3000	1000	1000
1200 Hp	1110	Normal	206...E1K1	1221	1665	1048	900	1000	1300	650	2400	1300	650	3100	3100	1000	1000
	1220	Light	206...E1K1	1342	1464	1151	900	1000	1450	725	2600	1450	725	3500	3500	1000	1000
	1250 Hp	Heavy	206...E1K4	1785	2145	1123	900	1000	1400	700	2500	1400	700	3400	3400	1000	1000
1400 Hp	1430	Normal	206...E1K4	1573	2145	1350	900	1000	1700	850	3000	1700	850	4100	4100	1000	1000
	1530	Light	206...E1K4	1683	1836	1444	900	1000	1800	900	3200	1800	900	4300	4300	1000	1000

(1) 'Applied Rating' refers to the motor that will be connected to the drive. For example, a 'E420' drive can be used in Normal Duty mode on a 450 Hp motor, in Heavy-duty mode on a 350 Hp motor or in Light-duty mode on a 500 Hp motor. The drive can be programmed for each mode. Wiring and fuses can be sized based on the programmed mode. For any given drive catalog number, Normal Duty mode provides higher continuous current but smaller overload current when compared to Heavy-duty mode. See parameter 306 [Duty Rating]. See Specifications for an explanation of Duty Ratings.

(2) These AC line fuses (with blown fuse indicators) are included in the drive to provide drive short circuit protection. AC input protection devices for branch circuit protection based on US NEC are listed in the table. Each drive bay has one fuse per phase.

(3) Minimum protection device size is the lowest rated device that supplies maximum protection without nuisance tripping.

(4) Maximum protection device size is the highest rated device that supplies drive protection. For US NEC, minimum size is 125% of motor F.L.A. Ratings that are shown are maximum.

(5) Circuit Breaker – inverse time breaker. For US NEC, minimum size is 125% of motor F.L.A. Ratings that are shown are maximum.

(6) Recommended Motor circuit protector – instantaneous trip circuit breaker. Set the trip setting to the input current of the drive and size for the continuous current of the system.

(7) These DC line fuses (with blown fuse indicators) are included in the drive to provide drive short circuit protection.

Table 29 - 690 Volt AC and 932 Volt DC Input Protection Devices – Wall Mount Frames 6...7

Applied Rating ⁽¹⁾	Cont. Output Amps	Drive Sized For Normal Duty				Drive Sized For Heavy Duty				Continuous AC Input		AC Input Protection Devices						DC Input Protection	
		Cat. No.		Output Overload Amps		Cat. No.		Output Overload Amps		Amps	Amps	Dual Element Time Delay Fuse	Non-Time Delay Fuse	Circuit Breaker Max Size ⁽⁶⁾	Motor Circuit Protector ⁽⁷⁾	Continuous DC Input Amps	DC Input Protection		
		(x = F or G)		1 min	3 s	(x = F or G)		1 min	3 s									Min ⁽²⁾	Max ⁽⁵⁾
690 Volt AC Input																			
5.5 kW	6	9				20x...F011	13.5	18.0	8.4	11	19	11	25	30	15	9.9	HS115		
7.5 kW	6	12				20x...F011	18.0	22.5	11.2	14	25	14	35	40	15	13.2	HS20		
11 kW	6	15				20x...F015	22.5	30.0	14.1	18	32	18	40	50	20	16.5	HS25		
15 kW	6	20				20x...F020	30.0	36.0	18.7	23	42	23	55	60	25	21.9	HS35		
18.5 kW	6	23				20x...F023	34.5	45.0	21.6	27 ⁽³⁾ , 25 ⁽⁴⁾	48 ⁽³⁾ , 50 ⁽⁴⁾	27 ⁽³⁾ , 25 ⁽⁴⁾	65	70	30	25.2	HS40		
22 kW	6	30				20x...F030	45.0	54.0	28.1	35	65	35	85	90	40	32.9	HS50		
30 kW	6	34				20x...F034	51.0	69.0	31.9	40	70	40	95	100	40	37.3	HS60		
37 kW	6	46				20x...F046	69.0	82.8	43.1	55	95	55	130	130	55	50.5	HS80		
45 kW	6	50				20x...F050	75.0	91.5	46.9	60	105	60	140	150	60	54.8	HS90		
55 kW	6	61				20x...F061	91.5	123.0	57.2	70	130	70	170	180	75	66.9	HS100		
75 kW	6	82				20x...F082	123.0	147.6	76.8	95	175	95	230	240	100	89.9	HS150		
90 kW	6	98				20x...F098	147.0	178.5	91.8	115	205	115	275	280	115	107.5	HS175		
110 kW	6	119				20x...F119	178.5	214.2	111.5	140	250	140	335	340	140	130.5	HS200		
132 kW	6	142				20x...F142	213.0		133.1	165	300	165	400	400	170	155.7	HS250		
160 kW	7	171				20x...F171	256.5	318.0	160.2	165	300	165	400	400	170	155.7	HS250		
200 kW	7	212				20x...F212	318.0	394.5	198.7	200	360	200	480	490	205	187.5	HS300		
250 kW	7	263				20x...F263	394.5		246.5	250	445	250	595	600	250	232.5	HS350		
										310	555	310	740	740	310	288.4	HS500		

(1) 'Applied Rating' refers to the motor that will be connected to the drive. For example, a 'F061' drive can be used in Normal Duty mode on a 55 kW motor, in Heavy-duty mode on a 45 kW motor. The drive can be programmed for each mode. Wiring and fuses can be sized based on the programmed mode. For any given drive catalog number, Normal Duty mode provides higher continuous current but smaller overload current when compared to Heavy-duty mode. See parameter 306 (Duty Rating). See Specifications for an explanation of Duty Ratings.

(2) Minimum protection device size is the lowest rated device that supplies maximum protection without nuisance tripping.

(3) Normal duty.

(4) Heavy duty.

(5) Maximum protection device size is the highest rated device that supplies drive protection. For US NEC, minimum size is 125% of motor FLA. Ratings that are shown are maximum.

(6) Circuit Breaker – inverse time breaker. For US NEC, minimum size is 125% of motor FLA. Ratings that are shown are maximum.

(7) Recommended Motor circuit protector – instantaneous trip circuit breaker. Set the trip setting to the input current of the drive and size for the continuous current of the system.

Table 30 - 690 Volt AC and 932 Volt DC Input Protection Devices – Floor Mount Frames 8...10

Applied Rating ⁽¹⁾	Cont. Output Amps	Duty	Cat. No.	Output Overload Amps		Continuous AC Input	AC Input Integral Semiconductor Fuse Size (170M) ⁽²⁾	DC Bay to Bay Integral Semiconductor Fuse Size (170M6648)	AC Input Protection Devices Recommended for Branch Circuit Protection (Does not apply to 216 Drives with Options)						Motor Circuit Protector ⁽⁶⁾			
				1 min	3 s				Dual Element Time Delay Fuse		Non-Time Delay Fuse		Circuit Breaker Max Size ⁽⁵⁾					
									1/Phase Min ⁽³⁾	2/Phase Min ⁽³⁾	Max ⁽⁴⁾	1/Phase Min ⁽³⁾		2/Phase Min ⁽³⁾		Max ⁽⁴⁾		
690V AC Input														932V DC Input				
200 kW	8	215	Heavy	206...F265	323	375	203	900	–	250	125	500	250	125	600	600	250	1000
250 kW	8	265	Normal	206...F265	292	375	250	900	–	300	150	600	300	150	800	800	300	1000
		265	Heavy	206...F330	398	473	250	900	–	300	150	600	300	150	800	800	300	1000
300 kW	8	308	Heavy	206...F370	462	555	290	900	–	400	200	700	400	200	900	900	400	1000
315 kW	8	330	Light	206...F265	363	–	311	900	–	400	200	700	400	200	900	900	400	1000
		330	Normal	206...F330	363	473	311	900	–	400	200	700	400	200	900	900	400	1000
355 kW	8	370	Light	206...F330	407	–	349	900	–	450	225	800	450	225	1100	1100	450	1000
		370	Normal	206...F370	407	555	349	900	–	450	225	800	450	225	1100	1100	450	1000
375 kW	8	375	Heavy	206...F415	555	639	349	900	–	450	225	800	450	225	1100	1100	450	1000
		375	Heavy	206...F460	563	675	353	900	–	450	225	800	450	225	1100	1100	450	1000
400 kW	8	410	Light	206...F370	451	–	386	900	–	500	250	900	500	250	1200	1200	500	1000
		415	Normal	206...F415	457	639	391	900	–	500	250	900	500	250	1200	1200	500	1000
		413	Heavy	206...F500	620	750	389	900	–	500	250	900	500	250	1200	1200	500	1000
450 kW	8	460	Light	206...F415	506	–	433	900	–	550	275	1000	550	275	1300	1300	550	1000
		460	Normal	206...F460	506	675	433	900	–	550	275	1000	550	275	1300	1300	550	1000
500 kW	8	500	Light	206...F460	550	–	471	900	–	600	300	1100	600	300	1500	1500	600	1000
		500	Normal	206...F500	550	750	471	900	–	600	300	1100	600	300	1500	1500	600	1000
530 kW	8	530	Light	206...F500	583	–	499	900	–	650	325	1200	650	325	1500	1500	650	1000
450 kW	9	460	Heavy	206...F590	690	885	433	900	1000	550	275	1000	550	275	1300	1300	550	1000
500 kW	9	500	Heavy	206...F650	750	975	471	900	1000	600	300	1100	600	300	1400	1400	600	1000
560 kW	9	590	Heavy	206...F710	885	1065	556	900	1000	700	350	1300	700	350	1700	1700	700	1000
		590	Normal	206...F590	649	885	556	900	1000	700	350	1300	700	350	1700	1700	700	1000
630 kW	9	650	Heavy	206...F765	975	1170	612	900	1000	750	375	1400	750	375	1800	1800	750	1000
		650	Normal	206...F650	715	975	612	900	1000	750	375	1400	750	375	1800	1800	750	1000
		650	Light	206...F590	715	–	612	900	1000	750	375	1400	750	375	1800	1800	750	1000
710 kW	9	750	Heavy	206...F795	1125	1350	706	900	1000	900	450	1600	900	450	2100	2100	900	1000
		710	Normal	206...F710	781	1065	669	900	1000	900	450	1600	900	450	2100	2100	900	1000
		710	Light	206...F650	781	–	669	900	1000	900	450	1600	900	450	2100	2100	900	1000

Table 30 - 690 Volt AC and 932 Volt DC Input Protection Devices – Floor Mount Frames 8...10 (Continued)

Applied Rating ⁽¹⁾	Cont. Output Amps	Duty	Cat. No.	Output Overload Amps		Continuous AC Input	AC Input Integral Semiconductor Fuse Size (170M) ⁽²⁾	DC Bay to Bay Integral Semiconductor Fuse Size (170M6648)	AC Input Protection Devices Recommended for Branch Circuit Protection (Does not apply to 21G Drives with Options)						Input Quantities		DC Input Integral Semiconductor Fuse Size (170M6253) ⁽⁷⁾	
				1 min	3 s				Dual Element Time Delay Fuse		Non-Time Delay Fuse			Circuit Breaker Max Size ⁽⁵⁾	Motor Circuit Protector ⁽⁶⁾	Continuous DC Input		Amps
									1/Phase Min ⁽³⁾	2/Phase Min ⁽³⁾	Max ⁽⁴⁾	1/Phase Min ⁽³⁾	2/Phase Min ⁽³⁾					
750 kW	9	765	Normal	206...F765	842	1170	900	1000	900	450	1600	900	450	2200	2200	900	1000	
800 kW	9	795	Heavy	206...F960	1193	1440	900	1000	950	475	1700	950	475	2200	2200	950	1000	
		795	Normal	206...F795	875	1350	900	1000	950	475	1700	950	475	2200	2200	950	1000	
850 kW	9	790	Light	206...F710	869	—	900	1000	950	475	1700	950	475	2200	2200	950	1000	
	9	860	Light	206...F765	946	—	900	1000	1000	500	1800	1000	500	2400	2400	1000	1000	
900 kW	9	960	Normal	206...F960	1056	1440	900	1000	1150	575	2000	1150	575	2700	2700	1150	1000	
		960	Light	206...F795	1056	—	900	1000	1150	575	2000	1150	575	2700	2700	1150	1000	
1000 kW	10	865	Heavy	206...F1K0	1298	1560	900	1000	1000	500	1800	1000	500	2400	2400	1000	1000	
	9	1020	Light	206...F795	1122	—	900	1000	1200	600	2200	1200	600	2900	2900	1200	1000	
1100 kW	10	1040	Normal	206...F1K0	1144	1560	900	1000	1250	625	2200	1250	625	2900	2900	1250	1000	
	10	1150	Light	206...F1K0	1265	1380	900	1000	1350	675	2400	1350	675	3200	3200	1350	1000	
1120 kW	10	1160	Heavy	206...F1K4	1740	2100	900	1000	1350	675	2500	1350	675	3300	3300	1350	1000	
	10	1400	Normal	206...F1K4	1540	2100	900	1000	1650	825	3000	1650	825	4000	4000	1650	1000	
1500 kW	10	1485	Light	206...F1K4	1634	1782	900	1000	1750	875	3100	1750	875	4200	4200	1750	1000	

- (1) 'Applied Rating' refers to the motor that will be connected to the drive. For example, a 'F400' drive can be used in Normal Duty mode on a 400 kW motor, in Heavy-duty mode on a 355 kW motor or in Light-duty mode on a 450 kW motor. The drive can be programmed for each mode. Wiring and fuses can be sized based on the programmed mode. For any given drive catalog number, Normal Duty mode provides higher continuous current but smaller overload current when compared to Heavy-duty mode. See parameter 306 [Duty Rating]. See Specifications for an explanation of Duty Ratings.
- (2) These AC line fuses (with blown fuse indicators) are included in the drive to provide drive short circuit protection. AC input protection devices for branch circuit protection based on US NEC are listed in the table. Each drive bay has one fuse per phase.
- (3) Minimum protection device size is the lowest rated device that supplies maximum protection without nuisance tripping.
- (4) Maximum protection device size is the highest rated device that supplies drive protection. For US NEC, minimum size is 125% of motor F.L.A. Ratings that are shown are maximum.
- (5) Circuit Breaker – inverse time breaker. For US NEC, minimum size is 125% of motor F.L.A. Ratings that are shown are maximum.
- (6) Recommended Motor circuit protector – instantaneous trip circuit breaker. Set the trip setting to the input current of the drive and size for the continuous current of the system.
- (7) These DC line fuses (with blown fuse indicators) are included in the drive to provide drive short circuit protection.

Motor Overload Protection

Class 10 motor overload protection according to NEC article 430 and motor over-temperature protection according to NEC article 430.126 (A)(2). UL 508C File E59272.

Short Circuit Current Rating

The maximum short circuit rating is 200,000 A RMS symmetrical (only 20F and 20G drives).

The actual short circuit rating is determined by the AIC rating of the installed fuse or circuit breaker. See [page 198](#) for 21G drives.

Short Circuit Current Ratings – Floor Mount Drives with Cabinet Options

Default ratings (no added protection) shown. A “•” indicates ratings that can be achieved with additional protection.

Table 31 - Short Circuit Current Ratings – 400V AC Input

Drive Cat. No.	Duty Cycle	kW	Short Circuit Current Rating (kA)			
			Circuit Breaker Only (P3) ⁽¹⁾	Circuit Breaker with Input Contactor (P3 with P11) ⁽¹⁾	Molded Case Switch Only (P5) ⁽²⁾	Molded Case Switch with Input Contactor (P5 with P11) ⁽²⁾
21G...C460	LD	315	100	30	65 or • 100 w/700...800 A Class L fuse	5 or • 30 w/700...1200 A Class L fuse • 30 w/700...1200 A CB
	ND	250	100	30 or • 65 w/600 A Class J fuse	65	5 or • 65 w/600 A Class J fuse • 30 w/600...1000 A Class L fuse • 30 w/600...1200 A CB
	HD	200	100	5 or • 100 w/500...600 A Class J fuse • 18 w/600...800 A Class L fuse • 18 w/500 A CB	65	5 or • 100 w/500...600 A Class J fuse • 18 w/600...800 A Class L fuse • 18 w/500 A CB
21G...C540	LD	315	100	30	65 or • 100 w/750...800 A Class L fuse	5 or • 30 w/750...1300 A Class L fuse • 30 w/800...1200 A CB
	ND	315	100	30	65 or • 100 w/700...800 A Class L fuse	5 or • 30 w/700...1200 A Class L fuse • 30 w/700...1200 A CB
	HD	250	100	30 or • 65 w/600 A Class J fuse	65	5 or • 65 w/600 A Class J fuse • 30 w/600...1000 A Class L fuse • 30 w/600...1200 A CB
21G...C567	LD	355	100	30	65 or • 100 w/800 A Class L fuse	5 or • 30 w/800...1300 A Class L fuse • 30 w/800...1200 A CB
	ND	315	100	30	65 or • 100 w/750...800 A Class L fuse	5 or • 30 w/750...1200 A Class L fuse • 30 w/800...1200 A CB
	HD	250	100	30 or • 65 w/600 A Class J fuse	65	5 or • 65 w/600 A Class J fuse • 30 w/600...1000 A Class L fuse • 30 w/600...1200 A CB
21G...C650	LD	400	100	42	65 or • 100 w/1000...1200 A Class L fuse	5 or • 42 w/1000...1600 A Class L fuse • 42 w/1000...1200 A CB
	ND	355	100	42	65 or • 100 w/850...1200 A Class L fuse	5 or • 42 w/850...1400 A Class L fuse • 42 w/900...1200 A CB
	HD	315	100	30	65 or • 100 w/700...800 A Class L fuse	5 or • 30 w/700...1200 A Class L fuse • 30 w/700...1200 A CB

Table 31 - Short Circuit Current Ratings – 400V AC Input (Continued)

Drive Cat. No.	Duty Cycle	kW	Short Circuit Current Rating (kA)			
			Circuit Breaker Only (P3) ⁽¹⁾	Circuit Breaker with Input Contactor (P3 with P11) ⁽¹⁾	Molded Case Switch Only (P5) ⁽²⁾	Molded Case Switch with Input Contactor (P5 with P11) ⁽²⁾
21G...C750	LD	450	100	42	65 or • 100 w/1000...1200 A Class L fuse	5 or • 42 w/1000...1700 A Class L fuse • 42 w/1000...1200 A CB
	ND	400	100	42	65 or • 100 w/1000...1200 A Class L fuse	5 or • 42 w/1000...1600 A Class L fuse • 42 w/1000...1200 A CB
	HD	315	100	30	65 or • 100 w/700...800 A Class L fuse	5 or • 30 w/750...1300 A Class L fuse • 30 w/800...1200 A CB
21G...C770	LD	450	100	42	65 or • 100 w/1000...1200 A Class L fuse	5 or • 42 w/1100...1800 A Class L fuse • 42 w/1100...1200 A CB
	ND	400	100	42	65 or • 100 w/1000...1200 A Class L fuse	5 or • 42 w/1000...1700 A Class L fuse • 42 w/1000...1200 A CB
	HD	355	100	42	65 or • 100 w/700...800 A Class L fuse	5 or • 42 w/800...1400 A Class L fuse • 42 w/800...1200 A CB
21G...C910	LD	560	100			
	ND	500	100			
	HD	400	100			
21G...C1K0	LD	630	100			
	ND	560	100			
	HD	500	100			
21G...C1K1	LD	710	100			
	ND	630	100			
	HD	500	100			
21G...C1K2	LD	800	100			
	ND	710	100			
	HD	560	100			
21G...C1K4	LD	850	100			
	ND	800	100			
	HD	630	100			
21G...C1K5	LD	900	100			
	ND	850	100			
	HD	710	100			

These options are not used with these drive ratings.

(1) These circuit breakers are considered branch circuit protection for the unit.

(2) No additional protection is provided with the P5 molded case switch option. Branch circuit protection is required based on NEC guidelines.

Table 32 - Short Circuit Current Ratings – 480V AC Input

Drive Cat. No.	Duty Cycle	Hp	Short Circuit Current Rating (kA)			
			Circuit Breaker Only (P3) ⁽¹⁾	Circuit Breaker with Input Contactor (P3 with P11) ⁽¹⁾	Molded Case Switch Only (P5) ⁽²⁾	Molded Case Switch with Input Contactor (P5 with P11) ⁽²⁾
21G...D430	LD	400	100	30 or • 65 w/600 A Class J fuse	65	5 or • 65 w/600 A Class J fuse • 30 w/600...1000 A Class L fuse • 30 w/600...1200 A CB
	ND	350	100	30 or • 65 w/550...600 A Class J fuse	65	30 or • 65 w/550...600 A Class J fuse
	HD	300	100	5 or • 100 w/450...600 A Class J fuse • 18 w/600...800 A Class L fuse • 18 w/500 A CB	65	5 or • 100 w/500...600 A Class J fuse • 18 w/600...800 A Class L fuse • 18 w/500 A CB
21G...D485	LD	450	100	30	65 or • 100 w/800 A Class L fuse	5 or • 30 w/650...1200 A Class L fuse • 30 w/700...1200 A CB
	ND	400	100	30 or • 65 w/600 A Class J fuse	65	5 or • 65 w/600 A Class J fuse • 30 w/600...1000 A Class L fuse • 30 w/600...1200 A CB
	HD	350	100	5 or • 100 w/500...600 A Class J fuse • 18 w/600...900 A Class L fuse	65	5 or • 100 w/500...600 A Class J fuse • 18 w/600...900 A Class L fuse

Table 32 - Short Circuit Current Ratings – 480V AC Input (Continued)

Drive Cat. No.	Duty Cycle	Hp	Short Circuit Current Rating (kA)			
			Circuit Breaker Only (P3) ⁽¹⁾	Circuit Breaker with Input Contactor (P3 with P11) ⁽¹⁾	Molded Case Switch Only (P5) ⁽²⁾	Molded Case Switch with Input Contactor (P5 with P11) ⁽²⁾
21G...D545	LD	500	100	30	65 or • 100 w/800 A Class L fuse	5 or • 30 w/700...1300 A Class L fuse • 30 w/700...1200 A CB
	ND	450	100	30	65 or • 100 w/650...800 A Class L fuse	5 or • 30 w/650...1200 A Class L fuse • 30 w/700...1200 A CB
	HD	350	100	30 or • 65 w/550...600 A Class J fuse	65	5 or • 65 w/550...600 A Class J fuse • 30 w/600...1000 A Class L fuse • 30 w/600...1200 A CB
21G...D617	LD	600	100	42	65 or • 100 w/850...1200 A Class L fuse	5 or • 42 w/850...1500 A Class L fuse • 42 w/900...1200 A CB
	ND	500	100	30	65 or • 100 w/750...800 A Class L fuse	5 or • 30 w/750...1300 A Class L fuse • 30 w/800...1200 A CB
	HD	400	100	30 or • 65 w/600 A Class J fuse	65	5 or • 65 w/600 A Class J fuse • 30 w/600...1000 A Class L fuse • 30 w/600...1200 A CB
21G...D710	LD	650	100	42	65 or • 100 w/1000...1200 A Class L fuse	5 or • 42 w/1000...1700 A Class L fuse • 42 w/1000...2000 A CB
	ND	600	100	42	65 or • 100 w/850...1200 A Class L fuse	5 or • 42 w/850...1500 A Class L fuse • 42 w/900...1200 A CB
	HD	450	100	30	65 or • 100 w/650...800 A Class L fuse	5 or • 30 w/650...1200 A Class L fuse • 30 w/700...1200 A CB
21G...D740	LD	700	100	42	65 or • 100 w/1000...1200 A Class L fuse	5 or • 42 w/1000...1700 A Class L fuse • 42 w/1000...2000 A CB
	ND	650	100	42	65 or • 100 w/900...1200 A Class L fuse	5 or • 42 w/900...1600 A Class L fuse • 42 w/900...2000 A CB
	HD	500	100	30	65 or • 100 w/750...800 A Class L fuse	5 or • 30 w/750...1300 A Class L fuse • 30 w/800...1200 A CB
21G...D800	LD	800	100	These options are not used with these drive ratings.		
	ND	700	100			
	HD	600	100			
21G...D960	LD	900	100			
	ND	800	100			
	HD	700	100			
21G...D1K0	LD	1000	100			
	ND	900	100			
	HD	750	100			
21G...D1K2	LD	1100	100			
	ND	1000	100			
	HD	800	100			
21G...D1K3	LD	1250	100			
	ND	1100	100			
	HD	900	100			
21G...D1K4	LD	1350	100			
	ND	1250	100			
	HD	1000	100			

(1) These circuit breakers are considered branch circuit protection for the unit.

(2) No additional protection is provided with the P5 molded case switch option. Branch circuit protection is required based on NEC guidelines.

Table 33 - Short Circuit Current Ratings – 600V AC Input

Drive Cat. No.	Duty Cycle	Hp	Short Circuit Current Rating (kA)						
			Circuit Breaker Only (P3) ⁽¹⁾	Circuit Breaker with Input Contactor (P3 with P11) ⁽¹⁾	Molded Case Switch Only (P5) ⁽²⁾	Molded Case Switch with Input Contactor (P5 with P11) ⁽²⁾			
21G...E295	LD	350	50	<ul style="list-style-type: none"> 18 w/601...700 A Class L fuse 18 w/500 A CB 100 w/600 A Class J fuse 	25	<ul style="list-style-type: none"> 25 w/600 A Class J fuse 			
	ND	300	50	<ul style="list-style-type: none"> 18 w/600 A Class L fuse 18 w/500 A CB 100 w/600 A Class J fuse 	25	<ul style="list-style-type: none"> 25 w/600 A Class J fuse 			
	HD	250	50	<ul style="list-style-type: none"> 18 w/600 A Class L fuse 18 w/500 A CB 100 w/600 A Class J fuse 	25	<ul style="list-style-type: none"> 25 w/600 A Class J fuse 			
21G...E355	LD	400	50	<ul style="list-style-type: none"> 18 w/601...800 A Class L fuse 18 w/500 A CB 100 w/600 A Class J fuse 	25	<ul style="list-style-type: none"> 25 w/600 A Class J fuse 			
	ND	350	50	<ul style="list-style-type: none"> 18 w/601...700 A Class L fuse 18 w/500 A CB 100 w/600 A Class J fuse 	25	<ul style="list-style-type: none"> 25 w/600 A Class J fuse 			
	HD	300	50	<ul style="list-style-type: none"> 18 w/600 A Class L fuse 18 w/500 A CB 100 w/600 A Class J fuse 	25	<ul style="list-style-type: none"> 25 w/600 A Class J fuse 			
21G...E395	LD	450	50	<ul style="list-style-type: none"> 30 w/601...900 A Class L fuse 30 w/1000 A CB 	<ul style="list-style-type: none"> 100 w/800 A max Class L fuse 	<ul style="list-style-type: none"> 30 w/800 A Class L fuse 			
	ND	400	50	<ul style="list-style-type: none"> 18 w/601...800 A Class L fuse 18 w/500 A CB 100 w/600 A Class J fuse 	25	<ul style="list-style-type: none"> 25 w/600 A Class J fuse 			
	HD	350	50	<ul style="list-style-type: none"> 18 w/601...700 A Class L fuse 18 w/500 A CB 100 w/600 A Class J fuse 	25	<ul style="list-style-type: none"> 25 w/600 A Class J fuse 			
21G...E435	LD	500	50	<ul style="list-style-type: none"> 30 w/601...1000 A Class L fuse 30 w/1000 A CB 	<ul style="list-style-type: none"> 100 w/800 A max Class L fuse 	<ul style="list-style-type: none"> 30 w/800 A Class L fuse 			
	ND	450	50	<ul style="list-style-type: none"> 30 w/601...900 A Class L fuse 30 w/1000 A CB 	<ul style="list-style-type: none"> 100 w/800 A max Class L fuse 	<ul style="list-style-type: none"> 30 w/800 A Class L fuse 			
	HD	350	50	<ul style="list-style-type: none"> 18 w/601...700 A Class L fuse 18 w/500 A CB 100 w/600 A Class J fuse 	25	<ul style="list-style-type: none"> 25 w/600 A Class J fuse 			
21G...E460	LD	500	35	<ul style="list-style-type: none"> 30 w/601...1000 A Class L fuse 30 w/1000 A CB 	<ul style="list-style-type: none"> 100 w/800 A max Class L fuse 	<ul style="list-style-type: none"> 30 w/800 A Class L fuse 			
	ND	500	50	<ul style="list-style-type: none"> 30 w/601...1000 A Class L fuse 30 w/1000 A CB 	<ul style="list-style-type: none"> 100 w/800 A max Class L fuse 	<ul style="list-style-type: none"> 30 w/800 A Class L fuse 			
	HD	400	50	<ul style="list-style-type: none"> 18 w/601...800 A Class L fuse 18 w/500 A CB 100 w/600 A Class J fuse 	25	<ul style="list-style-type: none"> 25 w/600 A Class J fuse 			
21G...E510	LD	550	35	<ul style="list-style-type: none"> 30 w/601...1100 A Class L fuse 30 w/1100 A CB 	<ul style="list-style-type: none"> 100 w/800 A max Class L fuse 	<ul style="list-style-type: none"> 30 w/800 A Class L fuse 			
	ND	500	35	<ul style="list-style-type: none"> 30 w/601...1000 A Class L fuse 30 w/1000 A CB 	<ul style="list-style-type: none"> 100 w/800 A max Class L fuse 	<ul style="list-style-type: none"> 30 w/800 A Class L fuse 			
	HD	450	50	<ul style="list-style-type: none"> 30 w/601...900 A Class L fuse 30 w/1000 A CB 	<ul style="list-style-type: none"> 100 w/800 A max Class L fuse 	<ul style="list-style-type: none"> 30 w/800 A Class L fuse 			
21G...E595	LD	700	50	These options are not used with these drive ratings.					
	ND	600	50						
	HD	500	50						
21G...E630	LD	800	50						
	ND	700	50						
	HD	600	50						
21G...E760	LD	900	50						
	ND	800	50						
	HD	700	50						
21G...E825	LD	950	50				These options are not used with these drive ratings.		
	ND	900	50						
	HD	750	50						
21G...E900	LD	1000	65						
	ND	950	50						
	HD	800	50						
21G...E980	LD	1100	65						
	ND	1000	65						
	HD	900	50						

- (1) These circuit breakers are considered branch circuit protection for the unit if the tap is within 10 ft. of the breaker input.
- (2) These devices are 21G, SCCR ratings with no additional protection provided. Branch circuit protection (fuse) is required based on NEC guidelines for options with P5.

Table 34 - Short Circuit Current Ratings – 690V AC Input

Drive Cat. No.	Duty Cycle	kW	Short Circuit Current Rating (kA)			
			Circuit Breaker Only (P3)	Circuit Breaker with Input Contactor (P3 with P11)	Molded Case Switch Only (P5)	Molded Case Switch with Input Contactor (P5 with P11)
21G...F265	LD	315	30	SCCR rating for 690V input contactor not available at time of publication.	25	SCCR rating for 690V input contactor not available at time of publication.
	ND	250	30		25	
	HD	200	30		25	
21G...F330	LD	355	30		25	
	ND	315	30		25	
	HD	250	30		25	
21G...F370	LD	400	30		25	
	ND	355	30		25	
	HD	300	30		25	
21G...F415	LD	450	30		25	
	ND	400	30		25	
	HD	355	30		25	
21G...F460	LD	500	25		25	
	ND	450	30		25	
	HD	375	30		25	
21G...F500	LD	530	25	25		
	ND	500	25	25		
	HD	400	30	25		
21G...F590	LD	630	35	These options are not used with these drive ratings.		
	ND	560	35			
	HD	450	35			
21G...F650	LD	710	35			
	ND	630	35			
	HD	500	35			
21G...F710	LD	800	35			
	ND	710	35			
	HD	560	35			
21G...F765	LD	850	35			
	ND	750	35			
	HD	630	35			
21G...F795	LD	900	35			
	ND	800	35			
	HD	710	35			
21G...F960	LD	1000	35			
	ND	900	35			
	HD	800	35			

Input Contactor Precautions



ATTENTION: A contactor or other device that routinely disconnects and reapplies the AC line to the drive to start and stop the motor can damage the drive hardware. The drive is designed to use control input signals that start and stop the motor. If an input device is used, operation must not exceed 1 cycle per minute or drive damage can occur.



ATTENTION: The drive start/stop/enable control circuitry includes solid-state components. If hazards due to accidental contact with moving machinery or unintentional flow of liquid, gas or solids exist, an additional hardwired stop circuit can be required to remove the AC line to the drive. An auxiliary braking method can be required.

Output Contactor Precaution



ATTENTION: To guard against drive damage when using output contactors, the following information must be read and understood. One or more output contactors can be installed between the drive and motors for disconnecting or isolating certain motors/loads. If a contactor is opened while the drive is operating, power is removed from the respective motor, but the drive continues to produce voltage at the output terminals. In addition, reconnecting a motor to an active drive (by closing the contactor) can produce excessive current that can cause the drive to fault. If any of these conditions are determined to be undesirable or unsafe, an auxiliary contact on the output contactor can be wired to a drive digital input that is programmed as “Enable.” This configuration causes the drive to execute a coast-to-stop (cease output) whenever an output contactor is opened.

Bypass Contactor Precaution



ATTENTION: An incorrectly applied or installed bypass system can result in component damage or reduction in product life. The most common causes are:

- Wiring AC line to drive output or control terminals.
- Improper bypass or output circuits that are not approved by Rockwell Automation.
- Output circuits that do not connect directly to the motor.

Contact Rockwell Automation for assistance with application or wiring.

Applying and Removing Power

IMPORTANT Wait 1 minute before cycling power disconnect switches. This requirement applies to both Off-to-On and On-to-Off transitions. Rapid switch cycling can result in equipment damage.

Drives with Cabinet Options

This section provides descriptions of the available cabinet options.

Power Disconnects

There are two cabinet options for power disconnects.

Option	Code	Applicable Frame	Description
Input Thermal Magnetic Circuit Breaker	P3	8...10	This option is for disconnecting drive power. All breakers include flange-style handle operators with interlocking doors that can use padlocks.
Input Non-Fused Molded Case Disconnect Switch	P5	8 Only	This option is for disconnecting drive power. All switches include flange-style handle operators with interlocking doors that can use padlocks.

Contactors

There are two cabinet options for contactors.

Option	Code	Applicable Frame	Description
Input Contactor	P11	8 Only	An input contactor is provided. The contactor is controlled by customer supplied 120V AC (480V and 600V input drives) or 230V AC (400V and 690V input drives) remote contact closure logic or by the X1 option if present. A terminal block for control is provided for customer use, and is wired to 1 N.O. and 1 N.C. auxiliary contact on the contactor. IMPORTANT: The P11 option "Alternate Contact Circuit" is not intended to be used as a Start/Stop circuit.
Output Contactor	P12	8 Only	A contactor is provided between the drive output and the motor. The contactor is controlled by customer supplied 120V AC (480V and 600V input drives) or 230V AC (400V and 690V input drives) remote contact closure logic or by the X1 option if present. A terminal block for control is provided for customer use and is wired to 1 N.O. and 1 N.C. auxiliary contact on the contactor.

Reactors

There are four cabinet options for reactors.

Option	Code	Applicable Frame	Description
3% Input Reactor	L1	8 and 9	Provides a 3% open core drive input line reactor that mounts inside the Cabinet Options Bay.
3% Output Reactor	L2	8 and 9	Provides a 3% open core drive output load reactor that mounts inside the Cabinet Options Bay.
5% Input Reactor	L3	8 Only	Provides a 5% open core drive input line reactor that mounts inside the Cabinet Options Bay.
5% Output Reactor	L4	8 Only	Provides a 5% open core drive output load reactor that mounts inside the Cabinet Options Bay.

Terminal Blocks and Other Cabinet Parts

There are cabinet options for terminal block and thermostat control.

Option	Code	Applicable Frame	Description
Control Terminal Block	—	8 and 9	Provides contact for field wired hardware enable circuit (see page 313 for more detail) and contactor control if ordered without the X1 option. Frame 8 drives with cabinet options ship with a hardware enable jumper on TB4. This jumper can be removed and replaced with field wiring for hardware enable.
Thermostat	—	8 and 9	Monitors cabinet options bay for temperature and wired to drive hardware enable input. Disables the system when over temperature is detected to help protect cabinet option components. IMPORTANT: A ventilation fan failure in the cabinet options bay does disable the drive unless an over temperature is detected by the thermostat.

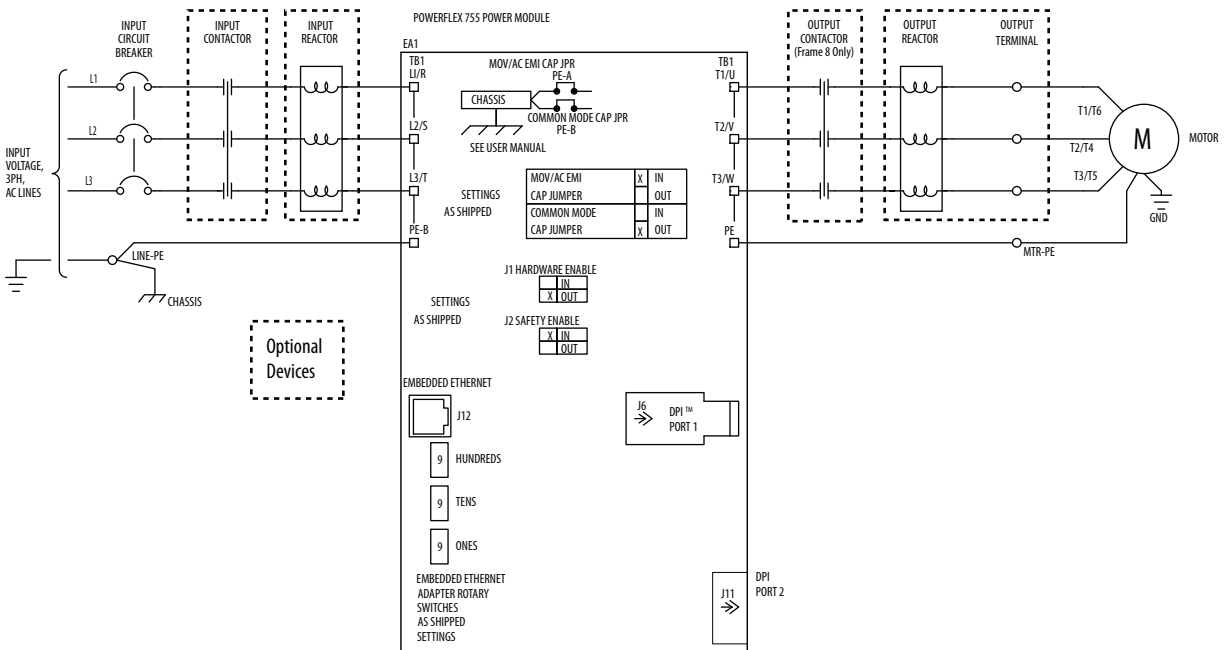
Transformer Panel

There are cabinet options for fuses and thermostat.

Option	Code	Applicable Frame	Description
Fuses	—	8 (only IP54 enclosures) 9 (all enclosures)	FU9, FU10 (690V AC) 690V AC, 6 A, IEC gl-gG FU9, FU10 (400, 480, 600V AC) 600V AC, 6 A, Class CC FU11 600V AC, 5 A, Class CC FU12 (120V AC) 600V AC, 6 A, Class CC FU12 (230V AC) 600V AC, 3 A, Class CC FU13 (Frame 8 with P11 or P12 Only) 600V AC, 5 A, Class CC
Thermostat	—	8 and 9	Thermostat is used in all option bays and enclosure types.

Power Wiring Schematic

This figure shows the power wiring.



Input Power Circuit Breakers and Disconnect Switches

See [page 23](#) for an explanation of where to locate drive ratings on the nameplate.

Table 35 - 400V, 50 Hz Input – Code P3 Thermal Magnetic Circuit Breaker Options

kW	Amps	Duty	Line Side Terminal Lugs	Terminal Size	Recommended Torque N·m (lb·in)
200	385	Heavy	140G-M-TLA23	(2) 250...500 MCM kit of 3	31 (274)
	460	Normal			
250	456	Heavy			
	472	Heavy			
315	540	Light	140G-N-TLA43	(4) 4/0...500 MCM	43 (381)
	540	Normal			
	540	Heavy			
315	585	Light			
	567	Normal			
	585	Heavy			
355	612	Light			
	650	Normal			
	642	Heavy			
400	750	Light			
	750	Normal			
	770	Normal			
450	796	Light			
	832	Light			

Table 36 - 400V, 50 Hz Input – Code P5 Molded Case Disconnect Switch Options (only floor mount Frame 8)

kW	Amps	Duty	Line Side Terminal Lugs	Terminal Size	Recommended Torque N·m (lb·in)
200	385	Heavy	140G-M-TLA23	(2) 250...500 MCM kit of 3	31 (274)
	460	Normal			
250	456	Heavy			
	472	Heavy			
315	540	Light	140G-N-TLA43	(4) 4/0...500 MCM	43 (381)
	540	Normal			
	540	Heavy			
315	585	Light			
	567	Normal			
	585	Heavy			
355	612	Light			
	650	Normal			
	642	Heavy			
400	750	Light			
	750	Normal			
	770	Normal			
450	796	Light			
	832	Light			

Table 37 - 480V, 60 Hz Input – Code P3 Thermal Magnetic Circuit Breaker Options

Hp	Amps	Duty	Line Side Terminal Lugs	Terminal Size	Recommended Torque N•m (lb•in)
300	370	Heavy	140G-M-TLA23	(2) 250 . . . 500 MCM kit of 3	31 (274)
	430	Normal			
350	414	Heavy			
	454	Heavy			
400	485	Light	140G-N-TLA43	(4) 4/0 . . . 500 MCM	43 (381)
	485	Normal			
	485	Heavy			
450	545	Light			
	545	Normal			
	545	Heavy			
500	590	Light			
	617	Normal			
	617	Heavy			
600	710	Light			
	710	Normal			
650	765	Light			
	740	Normal			
700	800	Light			

Table 38 - 480V, 60 Hz Input – Code P5 Molded Case Disconnect Switch Options (only floor mount Frame 8)

Hp	Amps	Duty	Line Side Terminal Lugs	Terminal Size	Recommended Torque N•m (lb•in)
300	370	Heavy	140G-M-TLA23	(2) 250 . . . 500 MCM kit of 3	31 (274)
	430	Normal			
350	414	Heavy			
	454	Heavy			
400	485	Light	140G-N-TLA43	(4) 4/0 . . . 500 MCM	43 (381)
	485	Normal			
	485	Heavy			
450	545	Light			
	545	Normal			
	545	Heavy			
500	590	Light			
	617	Normal			
	617	Heavy			
600	710	Light			
	710	Normal			
650	765	Light			
	740	Normal			
700	800	Light			

Table 39 - 600V, 50 Hz Input – Code P3 Thermal Magnetic Circuit Breaker Options

Hp	Amps	Duty	Line Side Terminal Lugs	Terminal Size	Recommended Torque N•m (lb•in)
250	272	Heavy	140G-M-TLA23	(2) 250...500 MCM kit of 3	31 (274)
300	295	Heavy			
	295	Normal			
350	329	Heavy			
	355	Heavy			
	355	Light			
	355	Normal			
400	395	Heavy			
	395	Light			
	395	Normal			
450	425	Heavy			
	435	Light			
	435	Normal			
500	460	Light			
	460	Normal			
	510	Light			
	510	Normal			
550	545	Light			

Table 40 - 600V, 50 Hz Input – Code P5 Molded Case Disconnect Switch Options (only floor mount Frame 8)

Hp	Amps	Duty	Line Side Terminal Lugs	Terminal Size	Recommended Torque N•m (lb•in)
250	272	Heavy	140G-M-TLA23	(2) 250...500 MCM kit of 3	31 (274)
300	295	Heavy			
	295	Normal			
350	329	Heavy			
	355	Heavy			
	355	Light			
	355	Normal			
400	395	Heavy			
	395	Light			
	395	Normal			
450	425	Heavy			
	435	Light			
	435	Normal			
500	460	Light			
	460	Normal			
	510	Light			
	510	Normal			
550	545	Light			

Table 41 - 690V, 60 Hz Input – Code P3 Thermal Magnetic Circuit Breaker Options

kW	Amps	Duty	Line Side Terminal Lugs	Terminal Size	Recommended Torque N·m (lb·in)
200	215	Heavy	140G-M-TLA23	(2) 250 . . . 500 MCM kit of 3	31 (274)
250	265	Heavy			
	265	Normal			
300	308	Heavy			
315	330	Light			
	330	Normal			
355	370	Heavy			
	370	Light			
	370	Normal			
375	375	Heavy			
400	410	Light			
	413	Heavy			
	415	Normal			
450	460	Light			
	460	Normal			
500	500	Light			
	500	Normal			
530	530	Light			

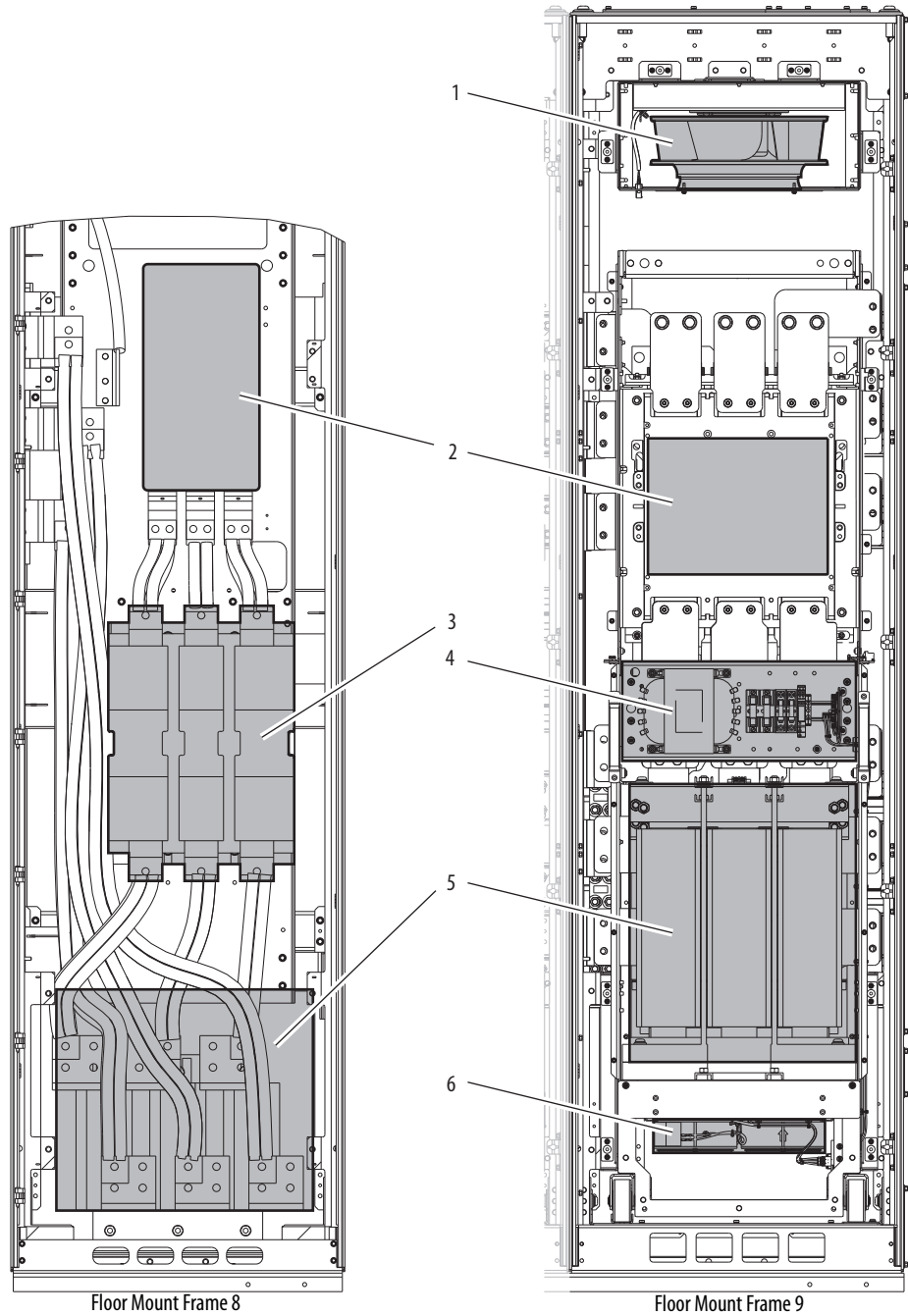
Table 42 - 690V, 60 Hz Input – Code P5 Molded Case Disconnect Switch Options (only floor mount Frame 8)

kW	Amps	Duty	Line Side Terminal Lugs	Terminal Size	Recommended Torque N·m (lb·in)
200	215	Heavy	140G-M-TLA23	(2) 250 . . . 500 MCM kit of 3	31 (274)
250	265	Heavy			
	265	Normal			
300	308	Heavy			
315	330	Light			
	330	Light			
355	370	Heavy			
	370	Light			
	370	Normal			
375	375	Heavy			
400	410	Light			
	413	Heavy			
	415	Normal			
450	460	Light			
	460	Normal			
500	500	Light			
	500	Normal			
530	530	Light			

Cabinet Options Bay Accessories

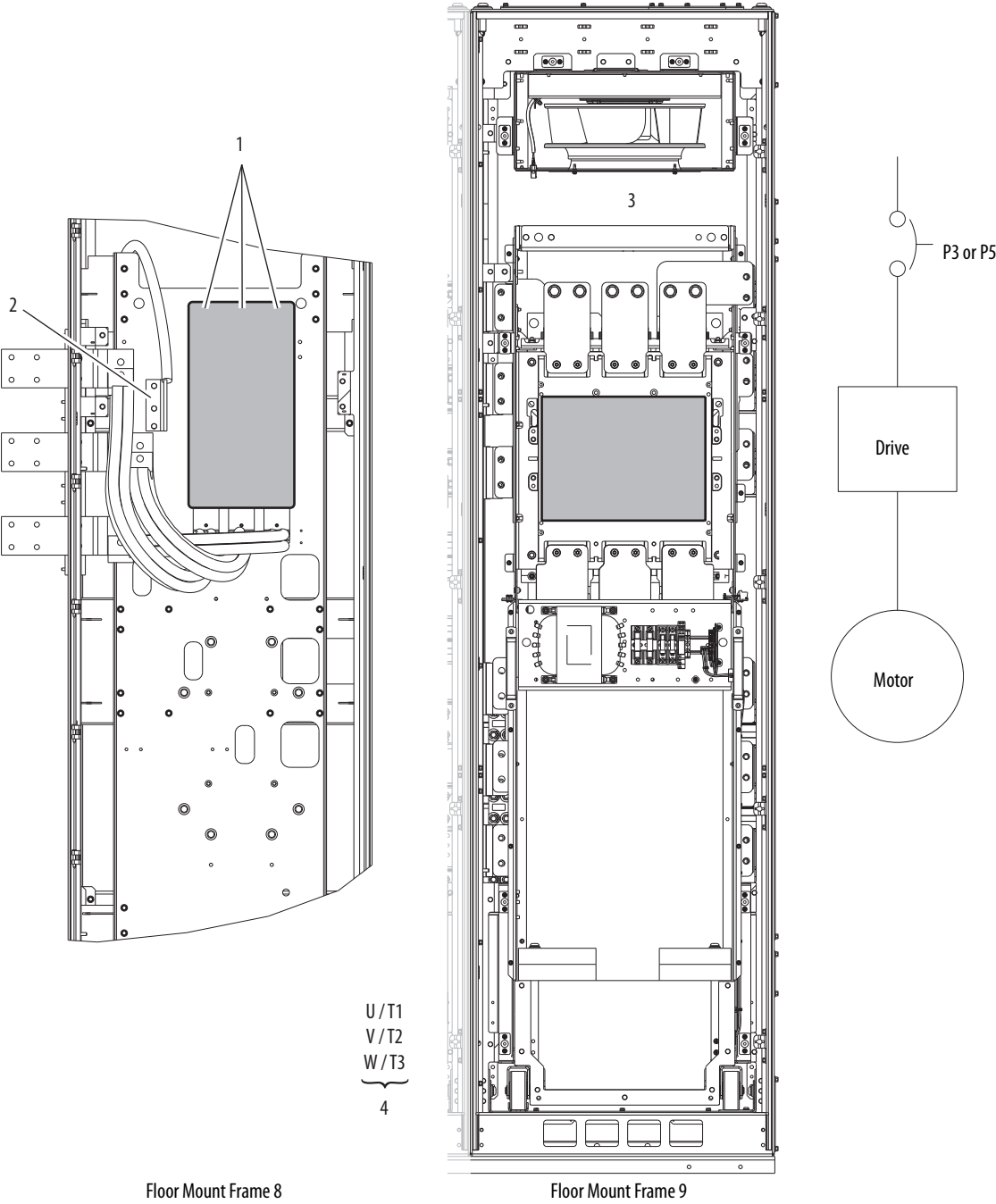
This section describes the cabinet options bay accessories.

Figure 109 - Accessory Overview



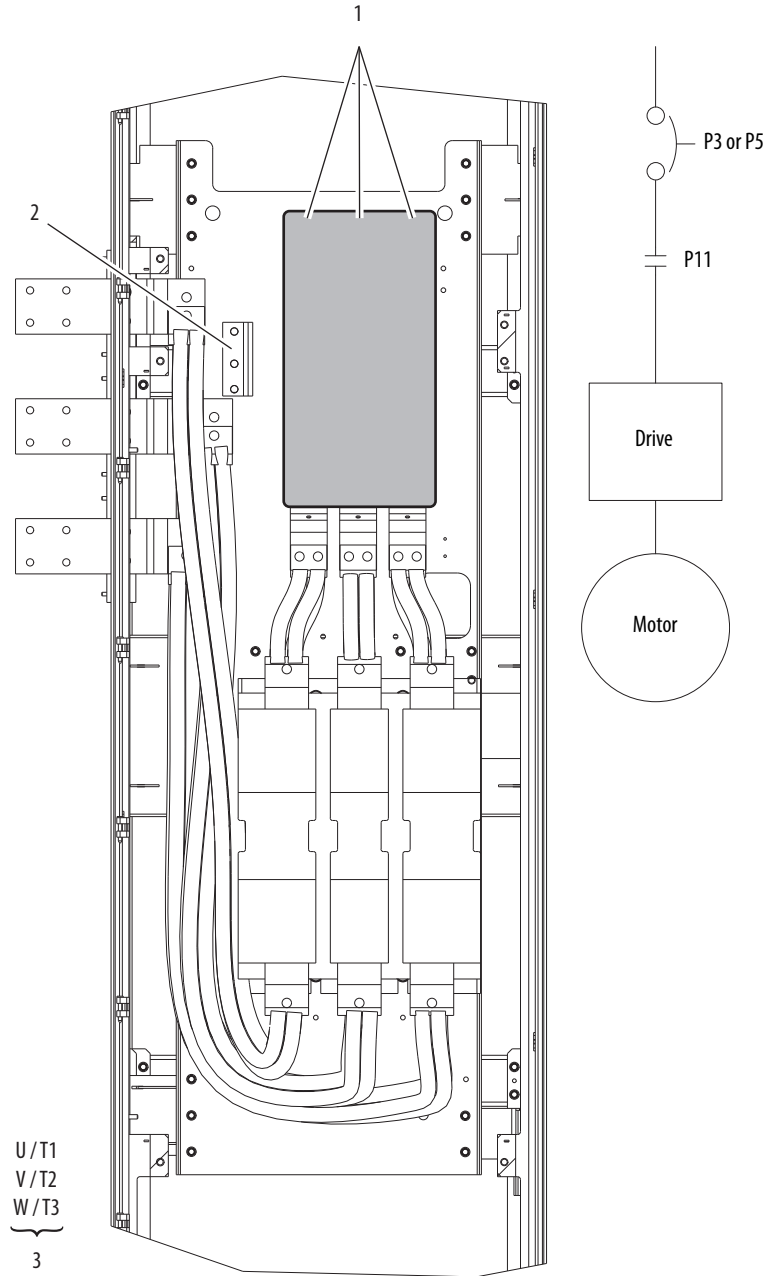
No.	Description	Floor Mount Drive Frame Size
1	Outlet blower (Frame 9)	9
2	Circuit breaker/molded case switch	8, 9
3	Input or output contactor (optional)	8
4	Transformer panel	9
5	Input or output reactor (optional)	8, 9
6	Reactor fan tray (included with reactor)	9

Figure 110 - Option P3 or P5 Disconnect



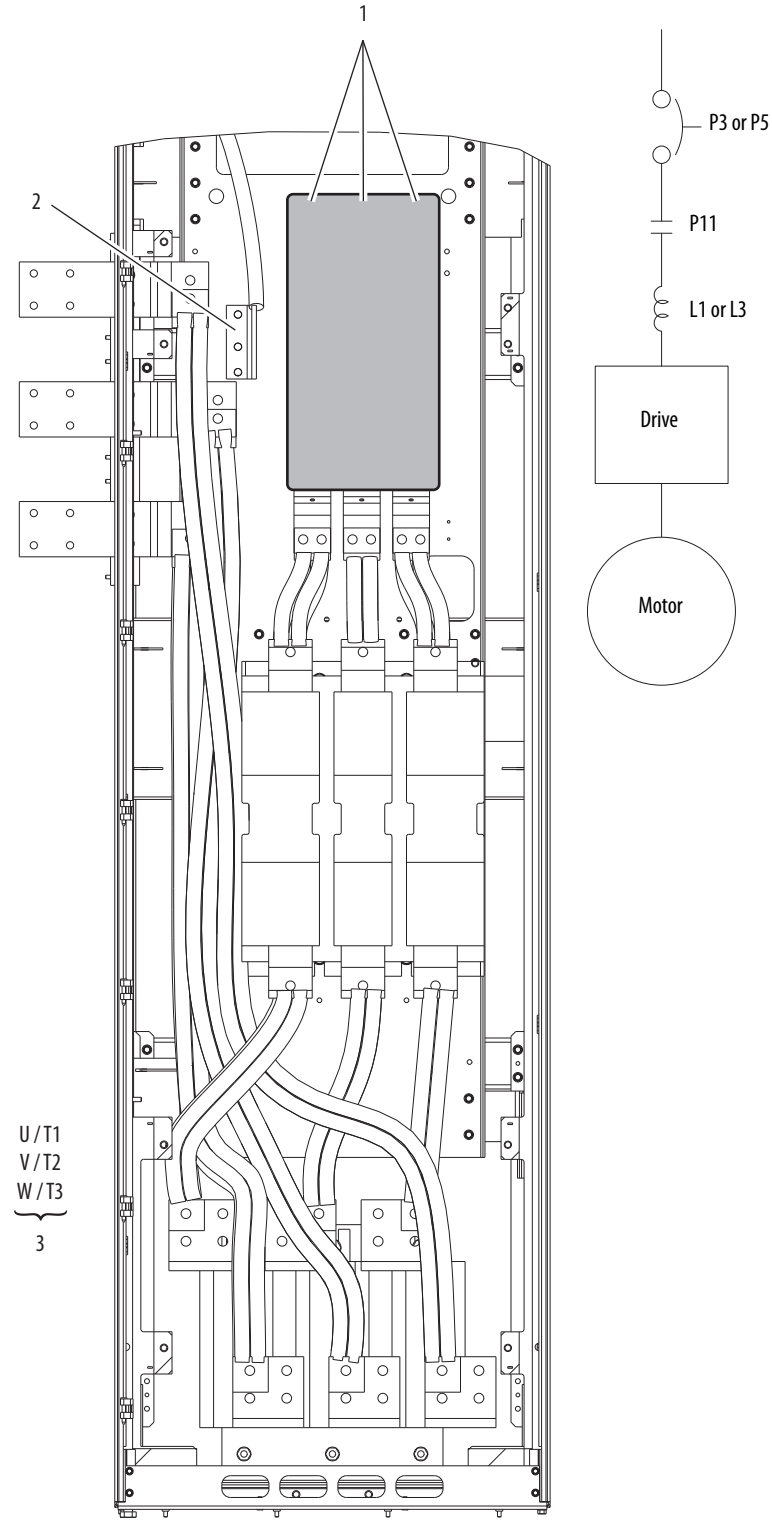
No.	Name	Description
1	R/L1, S/L2, T/L3	Three-phase input power connection.
2	PE	Three-phase input ground.
3	R/L1, S/L2, T/L3	Three-phase input power for frame 9 drives lands on the horizontal bus bars behind the cabinet options rollout assembly. See page 174 and page 175 .
4	U/T1, V/T2, W/T3	Motor connection that is made at drive power bus. See page 166 .

Figure 111 - Option P3 or P5 Disconnect and Option P11 Input Contactor (only floor mount Frame 8)



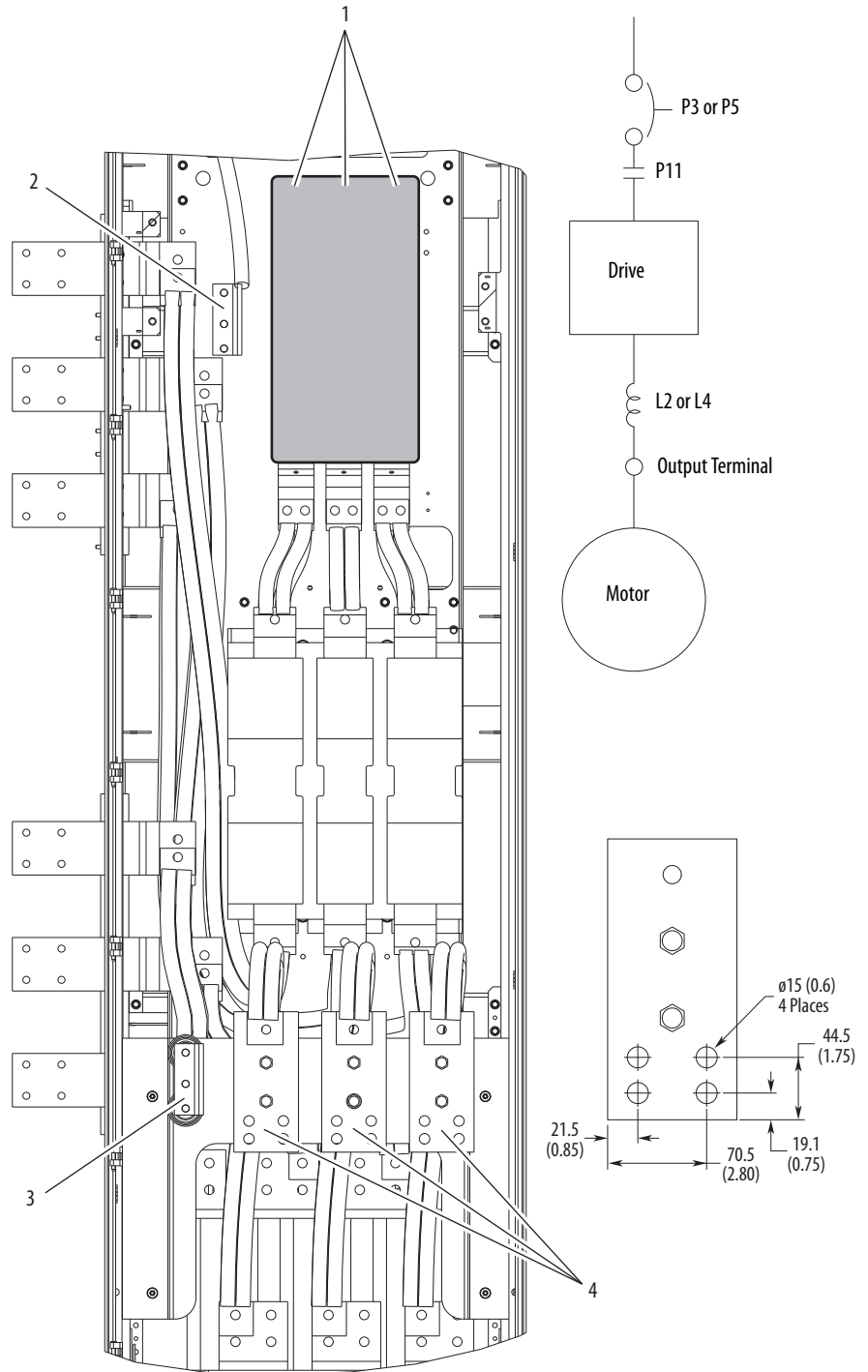
No.	Name	Description
1	R/L1, S/L2, T/L3	Three-phase input power connection.
2	PE	Three-phase input ground.
3	U/T1, V/T2, W/T3	Motor connection that is made at drive power bus. See page 166 .

Figure 112 - Option P3 or P5 Disconnect, Option P11 Input Contactor, and Option L1 or L3 Input Reactor (only floor mount Frame 8)



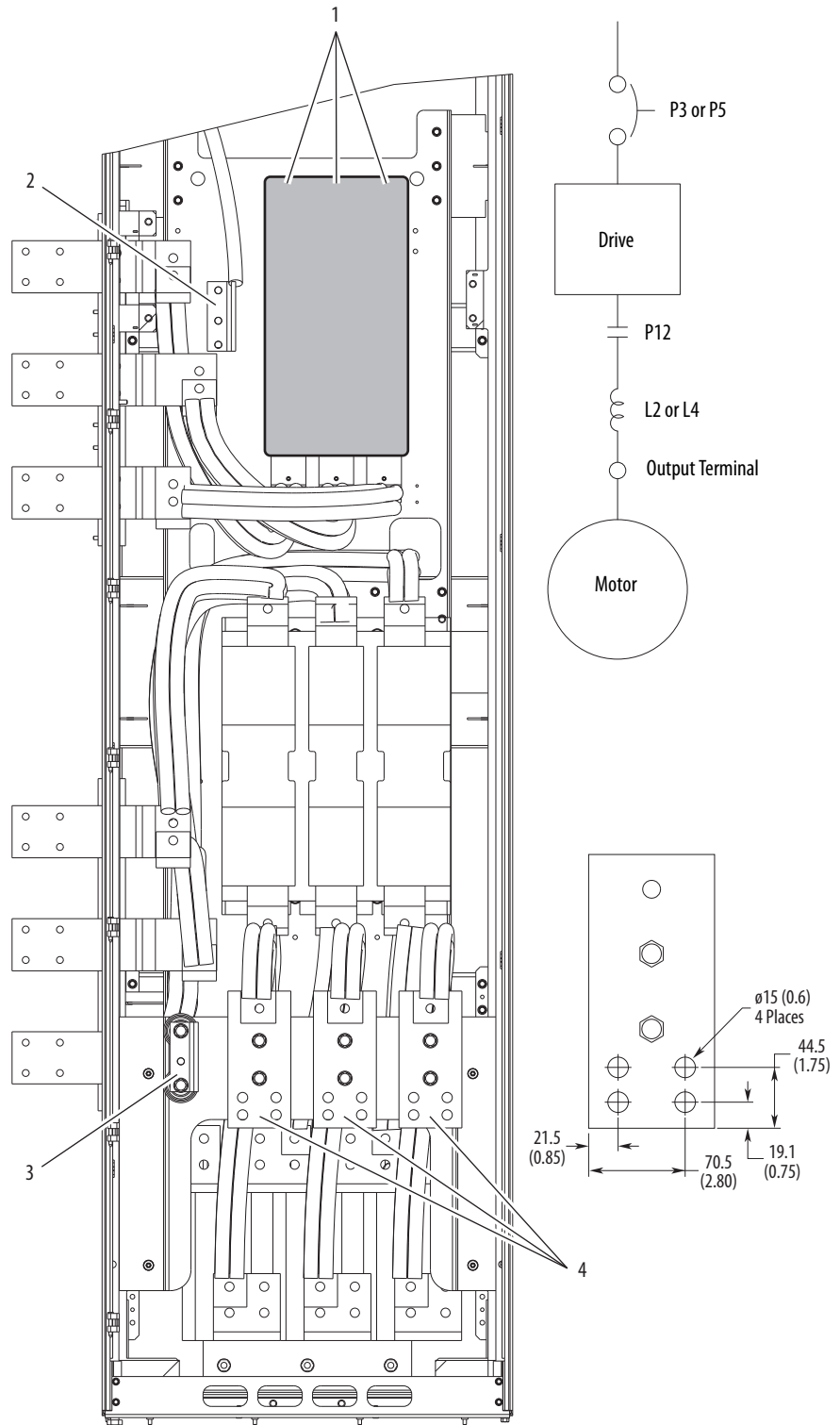
No.	Name	Description
1	R/L1, S/L2, T/L3	Three-phase input power connection.
2	PE	Three-phase input ground.
3	U/T1, V/T2, W/T3	Motor connection that is made at drive power bus. See page 166 .

Figure 113 - Option P3 or P5 Disconnect, Option P11 Input Contactor, and Option L2 or L4 Output Reactor (only floor mount Frame 8)



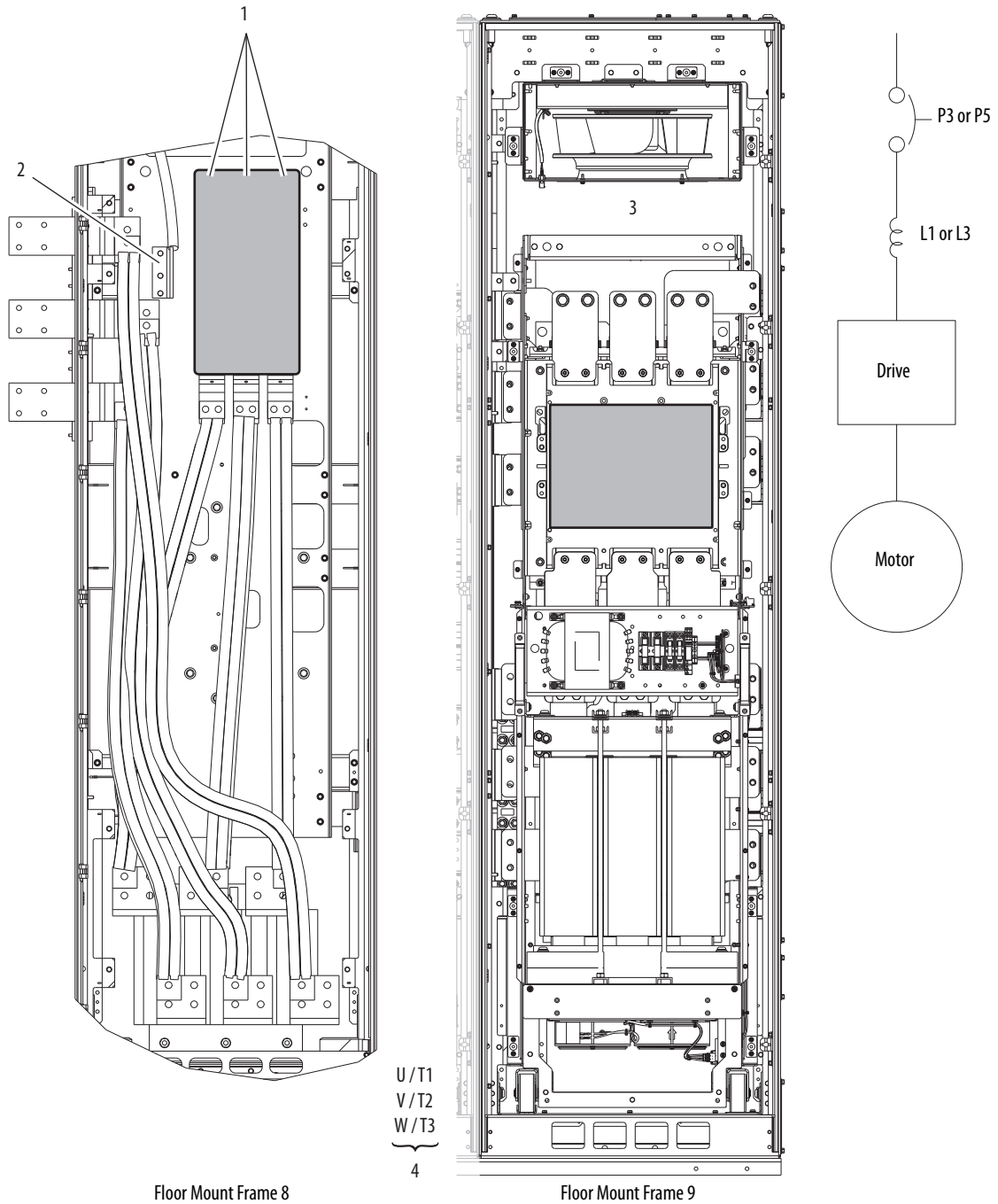
No.	Name	Description	Recommended Torque N•m (lb•in)
1	R/L1, S/L2, T/L3	Three-phase input power connection.	Factory installed
2	PE	Three-phase input ground.	38.0 (336)
3	PE	Three-phase motor ground.	
4	U/T1, V/T2, W/T3	Motor connection.	

Figure 114 - Option P3 or P5 Disconnect, Option P12 Output Contactor, and Option L2 or L4 Output Reactor (only floor mount Frame 8)



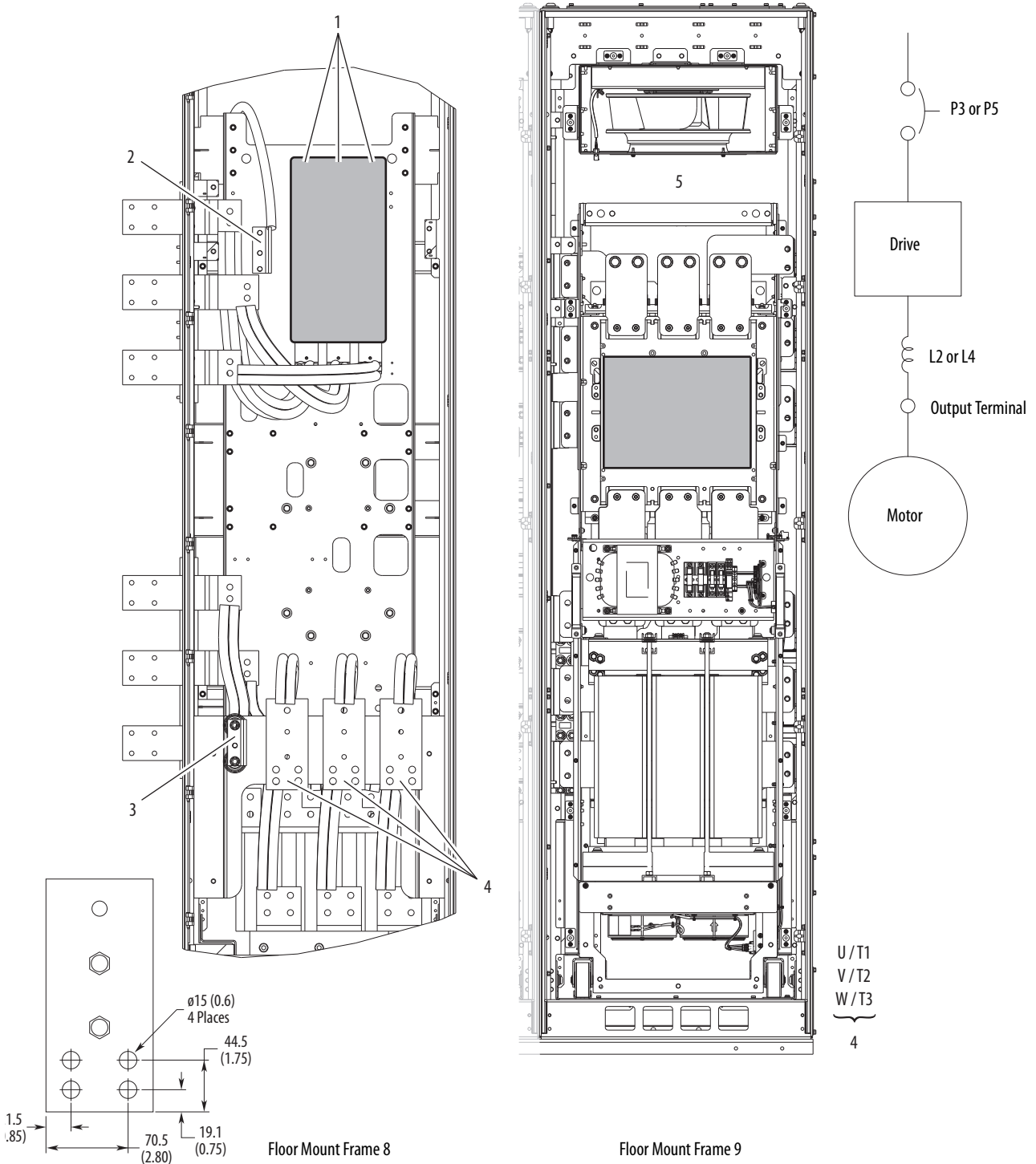
No.	Name	Description	Recommended Torque, N-m (lb-in)
1	R/L1, S/L2, T/L3	Three-phase input power connection.	Factory installed
2	PE	Three-phase input ground.	38.0 (336)
3	PE	Three-phase motor ground.	
4	U/T1, V/T2, W/T3	Motor connection.	

Figure 115 - Option P3 or P5 Disconnect and Option L1 or L3 Input Reactor



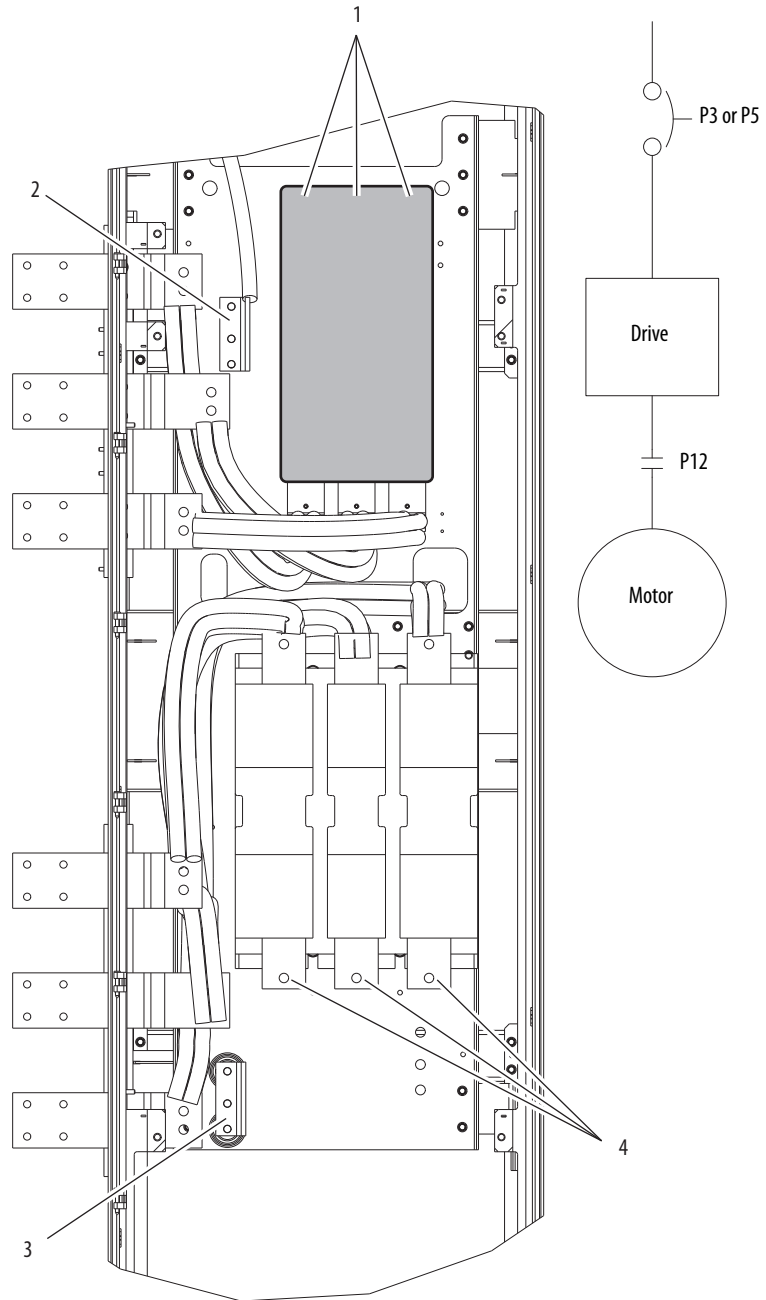
No.	Name	Description
1	R/L1, S/L2, T/L3	Three-phase input power connection.
2	PE	Three-phase input ground.
3	R/L1, S/L2, T/L3	Three-phase input power for frame 9 drives lands on the horizontal bus bars behind the cabinet options rollout assembly. See page 174 and page 175 .
4	U/T1, V/T2, W/T3	Motor connection that is made at drive power bus. See page 166 .

Figure 116 - Option P3 or P5 Disconnect and Option L2 or L4 Output Reactor



No.	Name	Description	Recommended Torque, N-m (lb-in)
1	R/L1, S/L2, T/L3	Three-phase input power connection.	Factory installed
2	PE	Three-phase input ground.	38.0 (336)
3	PE	Three-phase motor ground.	
4	U/T1, V/T2, W/T3	Motor connection.	
5	R/L1, S/L2, T/L3	Three-phase input power for frame 9 drives lands on the horizontal bus bars behind the cabinet options rollout assembly. See page 174 and page 175 .	

Figure 117 - Option P3 or P5 Disconnect and Option P12 Output Contactor (only floor mount Frame 8)



No.	Name	Description
1	R/L1, S/L2, T/L3	Three-phase input power connection.
2	PE	Three-phase input ground.
3	PE	Three-phase motor ground.
4	U/T1, V/T2, W/T3	Motor connection.

Table 43 - 400V, 50 Hz Input – Code P12 Output Contactor Options (only floor mount Frame 8)

kW	Amps	Duty	Contactor Cat. No.	Recommended Torque N·m (lb·in)
200	385	Heavy	100-D420EA11	17 (150)
250	460	Normal	100-D630EA11	68 (600)
	456	Heavy		
	472	Heavy		
315	540	Light	100-D860EA11	
	540	Normal		
315	540	Heavy	100-D630EA11	
	585	Light		
	567	Normal		
355	585	Heavy	100-D860EA11	
	612	Light		
355	650	Normal	100-D630EA11	
	642	Heavy	100-D630EA11	
400	750	Light	100-D860EA11	
	750	Normal		
	770	Normal		
450	796	Light	100-D860EA11	
	832	Light		

Table 44 - 480V, 60 Hz Input – Code P12 Output Contactor Options (only floor mount Frame 8)

kW	Amps	Duty	Contactor Cat. No.	Recommended Torque N·m (lb·in)	
300	370	Heavy	100-D420ED11	17 (150)	
350	430	Normal	100-D630ED11	68 (600)	
	414	Heavy	100-D420ED11	17 (150)	
	454	Heavy	100-D630ED11	68 (600)	
400	485	Light			
	485	Normal			
	485	Heavy			
450	545	Light			
	545	Normal			
	545	Heavy			
500	590	Light			100-D860ED11
	617	Normal			
	617	Heavy			
600	710	Light	100-D860ED11		
	710	Normal			
650	765	Light	100-G1200KD12	60 (528)	
	740	Normal			
700	800	Light	100-G1200KD12		

Table 45 - 600V, 50 Hz Input – Code P12 Output Contactor Options (only floor mount Frame 8)

Hp	Amps	Duty	Contacto Cat. No.	Recommended Torque N·m (lb·in)
250	272	Heavy	100-D420ED11	17 (150)
300	295	Heavy		
	295	Normal		
350	329	Heavy		
	355	Heavy		
	355	Light		
	355	Normal		
400	395	Heavy		
	395	Light		
	395	Normal		
450	425	Heavy	100-D630ED11	68 (600)
	435	Light		
	435	Normal		
500	460	Light		
	460	Normal		
	510	Light		
	510	Normal		
550	545	Light		

Table 46 - 690V, 60 Hz Input – Code P12 Output Contactor Options (only floor mount Frame 8)

kW	Amps	Duty	Contacto Cat. No.	Recommended Torque N·m (lb·in)
200	215	Heavy	100-D420EA11	17 (150)
250	265	Heavy		
	265	Normal		
300	308	Heavy		
315	330	Light		
	330	Normal		
355	370	Heavy		
	370	Light		
	370	Normal		
375	375	Heavy		
400	410	Light		
	413	Heavy		
	415	Normal		
450	460	Light	100-D630EA11	68 (600)
	460	Normal		
500	500	Light		
	500	Normal		
530	530	Light		

Drive Power Jumper Configuration

PowerFlex 750-Series drives contain protective MOVs and common mode capacitors that are referenced to ground. To guard against drive damage and/or operation problems, these devices must be properly configured according to [Table 49](#).

MOV, AC EMI Capacitor, and Common Mode Capacitor Circuits

Figure 118 - MOV and AC EMI Capacitor Phase to Ground (Wall Mount Frames 1...7)

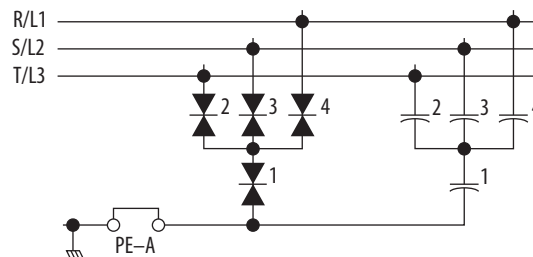


Figure 119 - MOV and AC EMI Capacitor Phase to Ground (Floor Mount Frames 8...10) AC Input Only

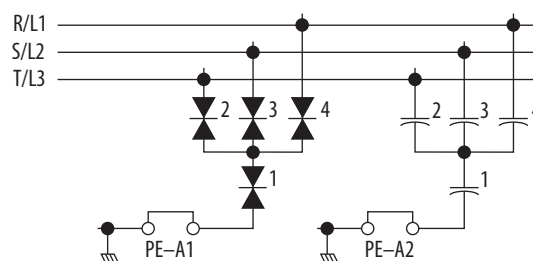
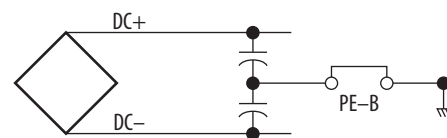


Figure 120 - Common Mode Capacitors to Ground (All Frames)



ATTENTION: To avoid an electric shock hazard, verify that the voltage on the bus capacitors has discharged completely before servicing.

Frames 1...7: Measure the DC bus voltage at the power terminal block by measuring between the +DC and -DC terminals (see [Figure 95](#) and [Figure 14](#) for location) or between the +DC and -DC test point sockets if equipped. Also measure between the +DC terminal or test point and the chassis, and between the -DC terminal or testpoint and the chassis. The voltage must be zero for all three measurements.

Frames 8...10: Measure the DC bus voltage at the DC+ and DC- TESTPOINT sockets on the front of the power module (see [Figure 98](#) for location).

Wall Mount Frames 1...7

IMPORTANT PowerFlex 750-Series drives, Frames 1...7, leave the factory with jumpers PE-A and PE-B in one of two possible configurations. Reconfigure these jumpers based on the power source type available.

Table 47 - Power Jumper Default Configurations

Cat. No. Position 11	Jumper PE-A (MOV/Input filter caps)	Jumper PE-B (DC bus common mode caps)
A	Connected	Disconnected
J	Connected	Connected

Floor Mount Frames 8...10

IMPORTANT PowerFlex 750-Series drives, Frames 8...10, leave the factory with jumpers PE-A1, PE-A2, and PE-B in one of two possible configurations. Reconfigure these jumpers based on the power source type available.

Table 48 - Power Jumper Default Configurations

Cat. No. Position 11	Jumper PE-A1 (MOV)	Jumper PE-A2 (input filter caps)	Jumper PE-B (DC bus common mode caps)
A	Connected	Connected	Disconnected
J	Connected	Connected	Connected



ATTENTION: Risk of equipment damage exists. The drive power source type must be accurately determined. Jumpers PE-A, PE-A1, PE-A2, and PE-B must be configured for the power source type according to the recommendations in [Table 49](#).

Table 49 - Recommended Power Jumper Configurations Wall Mount Frames 1...7

Power Source Type	Jumper PE-A ⁽¹⁾ ⁽²⁾ (MOV/input filter caps)	Jumper PE-B (DC bus common mode caps)	Benefits Of Correct Configuration on Power Source Type
Non-Solid Ground <ul style="list-style-type: none"> AC fed ungrounded Impedance grounded B phase ground DC fed from an active converter 	Disconnected	Disconnected	Helps avoid severe equipment damage when ground fault occurs
Solid Ground <ul style="list-style-type: none"> AC fed solidly grounded DC fed from passive rectifier that has a solidly grounded AC source 	Connected	Connected	<ul style="list-style-type: none"> UL compliance Reduced electrical noise Most stable operation EMC compliance Reduced voltage stress on components and motor bearings

(1) When MOVs are disconnected, the power system must have its own transient protection to confirm known and controlled voltages.

(2) Frame 5...7 common DC input drives do not have the PE-A jumper.

Table 50 - Recommended Power Jumper Configurations Floor Mount Frames 8...10

Power Source Type	Jumper PE-A1 (1) (MOV)	Jumper PE-A2 (Input Filter Caps)	Jumper PE-B (DC bus common mode caps)	Benefits Of Correct Configuration on Power Source Type
Non-Solid Ground <ul style="list-style-type: none"> AC fed ungrounded Impedance grounded B phase ground DC fed from an active converter 	Disconnected	Disconnected	Disconnected	Helps avoid severe equipment damage when ground fault occurs
Solid Ground <ul style="list-style-type: none"> AC fed solidly grounded DC fed from passive rectifier that has a solidly grounded AC source 	Connected	Connected	Connected	<ul style="list-style-type: none"> UL compliance Reduced electrical noise Most stable operation EMC compliance Reduced voltage stress on components and motor bearings

(1) When MOVs are disconnected, the power system must have its own transient protection to confirm known and controlled voltages.

To connect or disconnect these devices, see the jumper locations that are shown in the figures on pages [Figure 122 on page 224](#) through [Figure 127 on page 229](#).

In addition, on an ungrounded distribution system where the line-to-ground voltages on any phase could exceed 125% of the nominal line-to-line voltage, an isolation transformer should be installed. See *Wiring and Grounding Guidelines for Pulse-width Modulated (PWM) AC Drives*, publication [DRIVES-IN001](#), for more information on impedance grounded and ungrounded systems.

Wall Mount Frames 2...5 Power Jumper Screw Removal and Storage

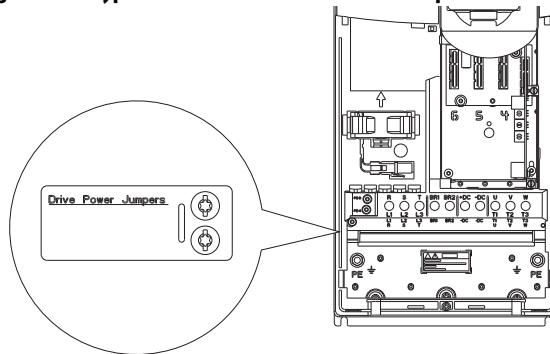
Wall/Flange Mount Frames 2...5 use jumper screws to complete an electrical connection when installed. Install or remove jumper screws according to the recommendations in [Table 49](#).



ATTENTION: Hazard of equipment damage exists if jumpers are not properly disconnected. For Frames 2...5, completely remove the jumper screw from the circuit board.

When power jumper screws are not used, they are stored on the left interior chassis wall as shown.

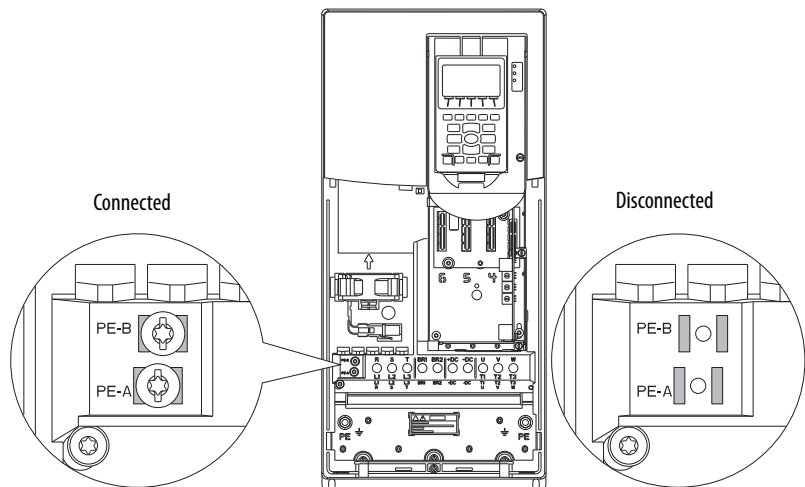
Figure 121 - Typical Wall Mount Frames 2...5 Jumper Screw Storage Location (Frame 4 shown)



When screws are installed, use this torque and tool:

- Recommended torque = 1.36 N•m (12.0 lb•in) ±0.14 N•m (1.2 lb•in)
- Recommended screwdriver = 6.4 mm (0.25 in.) flat or T15 Hexalobular

Figure 122 - Typical Wall Mount Frames 2...5 Jumper Screw Installation Locations (Frame 4 shown)



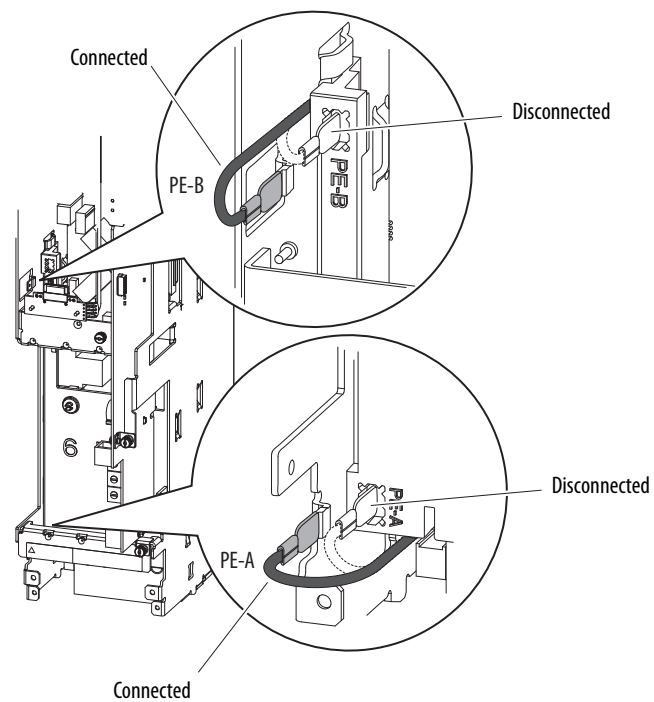
Wall Mount Frames 1, 6, and 7 Power Jumper Wire Removal and Storage

Wall/Flange Mount Frames 1, 6, and 7 use jumper wires to complete an electrical connection when installed. Install or remove jumper wires according to the recommendations in [Table 49](#).



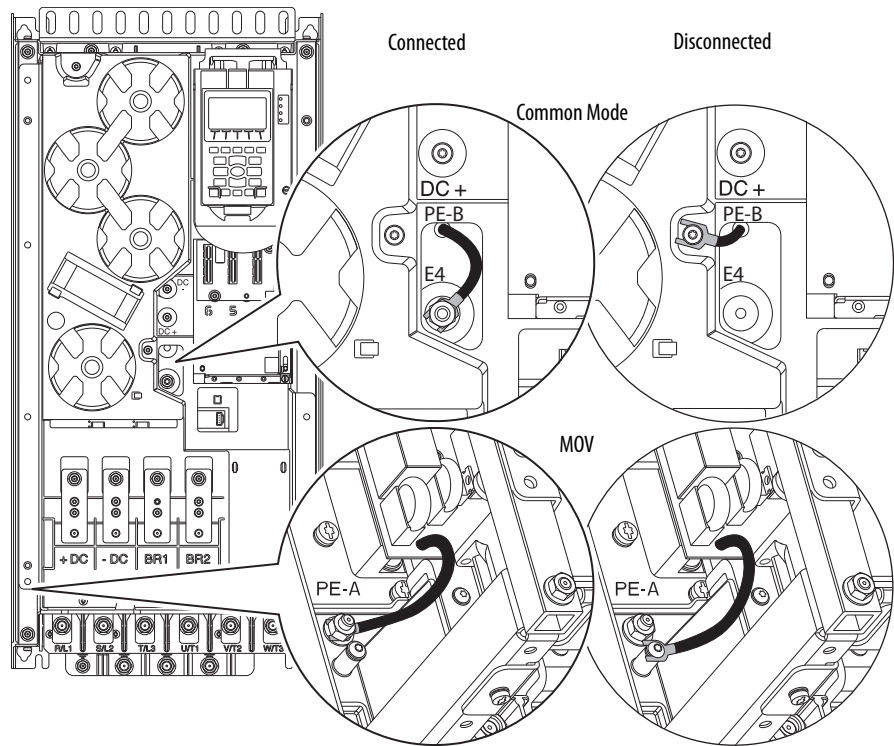
ATTENTION: Hazard of equipment damage exists if jumpers are not properly disconnected. For Frames 1, 6, and 7, secure the disconnected jumper wire to the insulated position provided.

Figure 123 - Wall Mount Frame 1 Jumper Wire Locations



When jumper wires are connected, the spade connector should be pressed firmly onto the sheet metal tab.

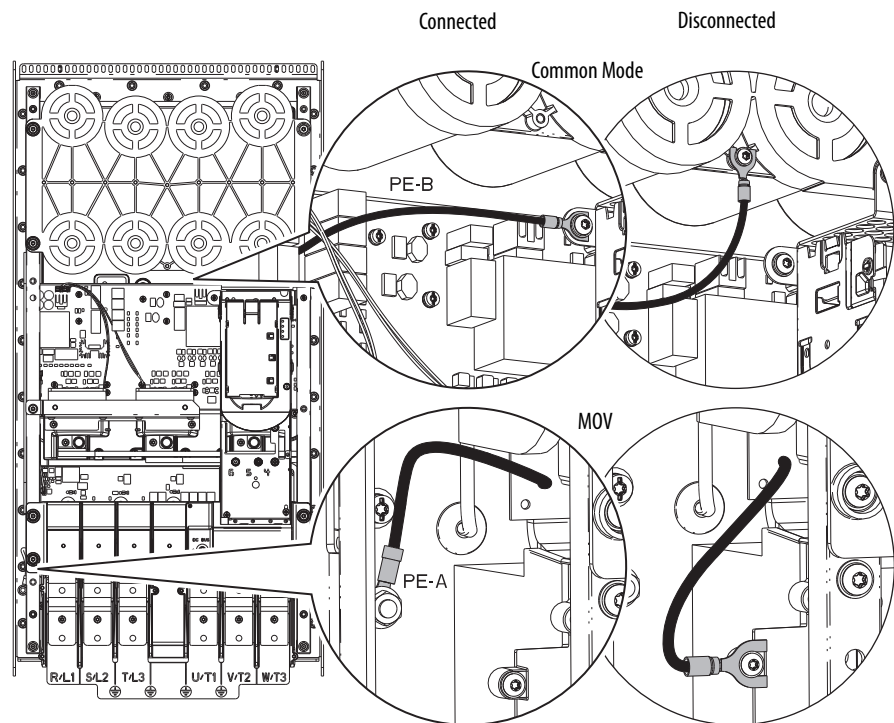
Figure 124 - Wall Mount Frame 6 Jumper Wire Locations



When jumper wires are connected, use this torque and tools:

- Recommended torque (screws and nuts) = 1.36 N•m (12.0 lb•in)
- Recommended hex socket = 7 mm
- Recommended screwdriver = T20 Hexalobular

Figure 125 - Wall Mount Frame 7 Jumper Wire Locations



When jumper wires are connected, use this torque and tools:

- Recommended torque (screws and nuts) = 1.36 N•m (12.0 lb•in)
- Recommended hex socket = 7 mm
- Recommended screwdriver = T20 Hexalobular

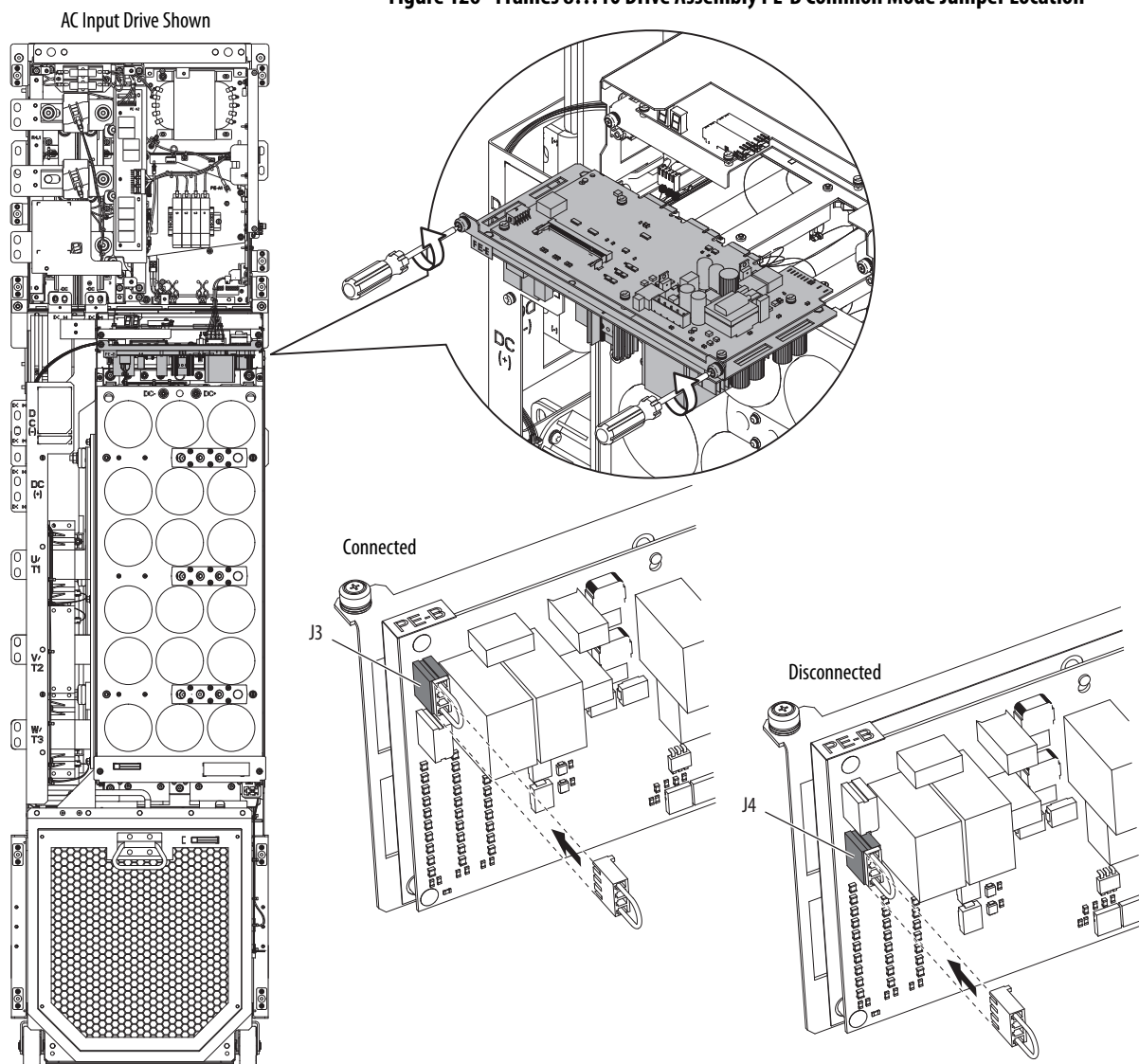
Floor Mount Frames 8...10 Drive Assembly Jumper Removal and Storage

Frame 8...10 drive assemblies use jumper plugs to complete an electrical connection when installed. Install or remove jumper plugs according to the recommendations in [Table 50](#).



ATTENTION: Hazard of equipment damage exists if jumpers are not properly disconnected or are set differently between drive assemblies. For Frame 8...10 drive assemblies, secure the disconnected jumper plug in the socket that is provided and verify that all drive assemblies are configured the same.

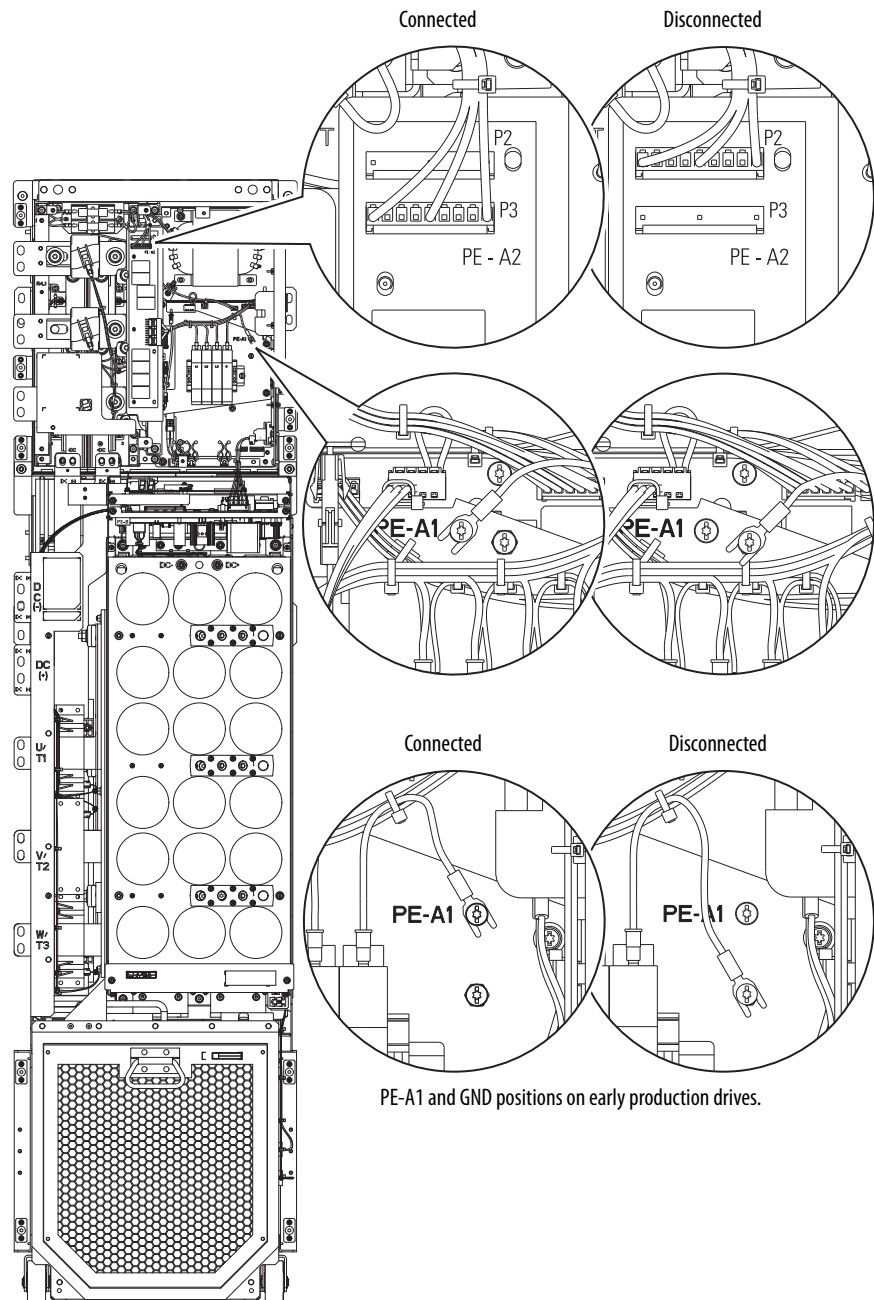
Figure 126 - Frames 8...10 Drive Assembly PE-B Common Mode Jumper Location



For removal and installation of the inverter power control board tray, use this torque and tool:

- Recommended torque = 1.86 N•m (16.0 lb•in)
- Recommended screwdriver = T20 Hexalobular

Figure 127 - Drive Assembly PE-A1 MOV and PE-A2 Input Filter Caps Jumper Location



When the PE-A1 jumper wire is connected, use this torque and tool:

- Recommended torque = 1.8 N•m (16.0 lb•in)
- Recommended screwdriver = T20 Hexalobular

IMPORTANT PE-A1 and PE-A2 jumper are only used by three-phase input drive assemblies and are not applicable to common DC input drives assemblies.

Notes:

I/O Wiring

Important points to remember about I/O wiring:

- Always use copper wire.
- Wire with an insulation rating of 600V or greater is recommended.
- Separate control and signal wires from power wires by at least 0.3 meters (1 foot).
- For CE compliance, 115V digital input wiring must be shielded or must not exceed 30 m (98.4 ft) in length.
- To maintain electrical safety for all user-accessible low voltage circuits (SELV and PELV circuits) for I/O terminals that are designated for 24V or lower voltage, follow these guides:
 - Do not connect to a circuit of higher voltage.
 - Do not connect to a circuit that is not adequately insulated from dangerous voltages with double or reinforced insulation within other connected equipment or wiring.
- To provide electrical safety for user-accessible low voltage I/O circuits that are referenced to earth (PELV circuits) and that can be touched simultaneously, provide a common earth reference for all equipment that is connected to the drive.

IMPORTANT I/O terminals that are labeled '(–)' or 'Common' are not referenced to earth ground and are designed to reduce common mode interference. Grounding these terminals can cause signal noise.



ATTENTION: Hazard of personal injury or equipment damage exists when using bipolar input sources. Noise and drift in sensitive input circuits can cause unpredictable changes in motor speed and direction. Use speed command parameters to help reduce input source sensitivity.

I/O Terminal Blocks

This section provides specifications for the I/O terminal blocks.

Table 51 - Main Control Board I/O Terminal Block Specifications

Name	Wire Size Range mm ² (AWG)		Torque N·m (lb·in)		Strip Length mm (in.)
	Max	Min	Max	Recommended	
753 Control Module TB1, TB2, and TB3	2.5 (14)	0.3 (28)	0.25 (2.2)	0.2 (1.8)	6 (0.24)
755 Control Module TB1	2.5 (14)	0.3 (28)	0.25 (2.2)	0.2 (1.8)	6 (0.24)

Table 52 - Option Module I/O Terminal Block Specifications

Name	Wire Size Range mm ² (AWG)		Torque N·m (lb·in)		Strip Length mm (in.)
	Max	Min	Max	Recommended	
22-Series I/O Modules TB1 with Screw Terminals	2.5 (14)	0.3 (28)	0.25 (2.2)	0.2 (1.8)	6 (0.24)
22-Series I/O Modules TB2 with Screw Terminals	4.0 (12)	0.25 (24)	0.5 (4.4)	0.4 (3.5)	7 (0.28)
11-Series I/O Module TB1 with Tension Clamp Terminals	2.5 (14)	0.13 (26)	N/A		10 (0.39)
11-Series I/O Module TB2 with Tension Clamp Terminals	4.0 (12)	0.25 (24)	N/A		10 (0.39)
Safe Torque Off ⁽¹⁾ (cat. no. 20-750-S)	0.8 (18)	0.3 (28)	N/A		10 (0.39)
Integrated Safety - Safe Torque Off ⁽¹⁾ (cat. no. 20-750-S3)	0.8 (18)	0.3 (28)	N/A		10 (0.39)
Single Incremental Encoder	0.8 (18)	0.3 (28)	N/A		10 (0.39)
Safe Speed Monitor TB1 and TB2 ⁽¹⁾	2.5 (14)	0.25 (24)	0.25 (2.2)	0.2 (1.8)	6 (0.24)
Dual Incremental Encoder	0.8 (18)	0.3 (28)	N/A		10 (0.39)
755 Universal Feedback Module	0.8 (18)	0.3 (28)	N/A		10 (0.39)
Auxiliary Power Supply TB1	2.5 (14)	0.3 (28)	0.25 (2.2)	0.2 (1.8)	6 (0.24)

(1) Shielded cable that is required.

Table 53 - Three-phase Drive Assembly I/O Terminal Block and Connector Specifications

Name	Wire Size Range mm ² (AWG)		Torque N·m (lb·in)		Strip Length
	Max	Min	Max	Recommended	
Converter TB1 and TB2	4.0 (12)	0.25 (24)	0.5 (4.4)	0.4 (3.5)	7 (0.28)
Fiber Interface PCB Connector P13	4.0 (12)	0.25 (24)	0.5 (4.4)	0.4 (3.5)	7 (0.28)
Fiber Interface PCB Connector P14	2.5 (14)	0.3 (28)	0.25 (2.2)	0.2 (1.8)	6 (0.24)

Table 54 - Common DC Input Drive Assembly I/O Terminal Block and Connector Specifications

Name	Wire Size Range mm ² (AWG)		Torque N•m (lb•in)		Strip Length
	Max	Min	Max	Recommended	
Common DC input TB1 . . . TB5	4.0 (12)	0.25 (24)	0.5 (4.4)	0.4 (3.5)	7 (0.28)
Fiber Interface PCB Connector P13	4.0 (12)	0.25 (24)	0.5 (4.4)	0.4 (3.5)	7 (0.28)
Fiber Interface PCB Connector P14	2.5 (14)	0.3 (28)	0.25 (2.2)	0.2 (1.8)	6 (0.24)

Table 55 - I/O Wire Recommendations

Type	Wire Types	Description	Min Insulation Rating	
Signal ⁽¹⁾⁽²⁾⁽³⁾	Standard analog I/O	–	300V, 75 . . . 90 °C (167 . . . 194 °F)	
	Remote pot	–		
	Encoder/ Pulse I/O < 30 m (98.4 ft)	Combined		0.196 mm ² (24 AWG) Individually shielded pairs.
	Encoder/ Pulse I/O 30 . . . 152 m (100 . . . 500 ft)	Signal		0.196 mm ² (24 AWG) Individually shielded pairs.
		Power		0.750 mm ² (18 AWG) in. div. shielded pairs
		Combined		0.330 mm ² (22 AWG), power is 0.500 mm ² (20 AWG) individually shielded pairs.
	Encoder/ Pulse I/O 152 . . . 259 m (500 . . . 850 ft)	Signal		0.196 mm ² (24 AWG) Individually shielded pairs.
		Power		0.750 mm ² (18 AWG) individually shielded pairs.
		Combined		0.750 mm ² (18 AWG) individually shielded pairs.
	Digital I/O Safety Inputs Homing Inputs ⁽¹⁾⁽²⁾⁽³⁾⁽⁴⁾	Shielded		Multi-conductor shielded cable
Digital I/O Homing Inputs ⁽¹⁾⁽²⁾⁽³⁾	Unshielded	–	Per US NEC or applicable national or local code.	

(1) Separate control and signal wires from power wires by at least 0.3 meters (1 foot).

(2) If the wires are short and contained within a cabinet that has no sensitive circuits. The use of shielded wire is not necessary, but is always recommended.

(3) I/O terminals that are labeled “(–)” or “Common” are not referenced to Earth Ground and are designed to reduce common mode interference. Grounding these terminals can cause signal noise.

(4) Safety option modules 20-750-S and 20-750-S1 require shielded cable.

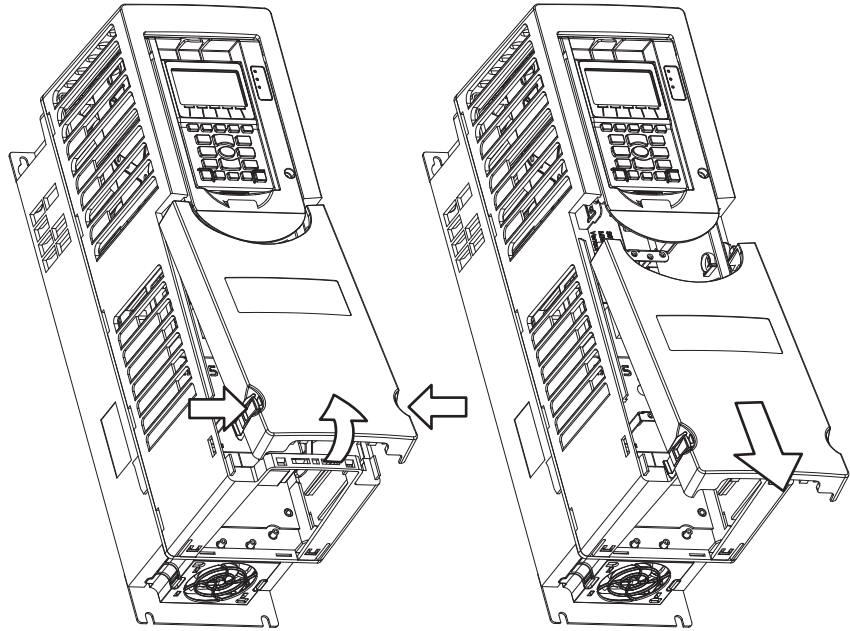
Access Drive Control Pod

To access the drive control pod, follow the steps for the frame size of your drive.

1. Remove the drive cover.

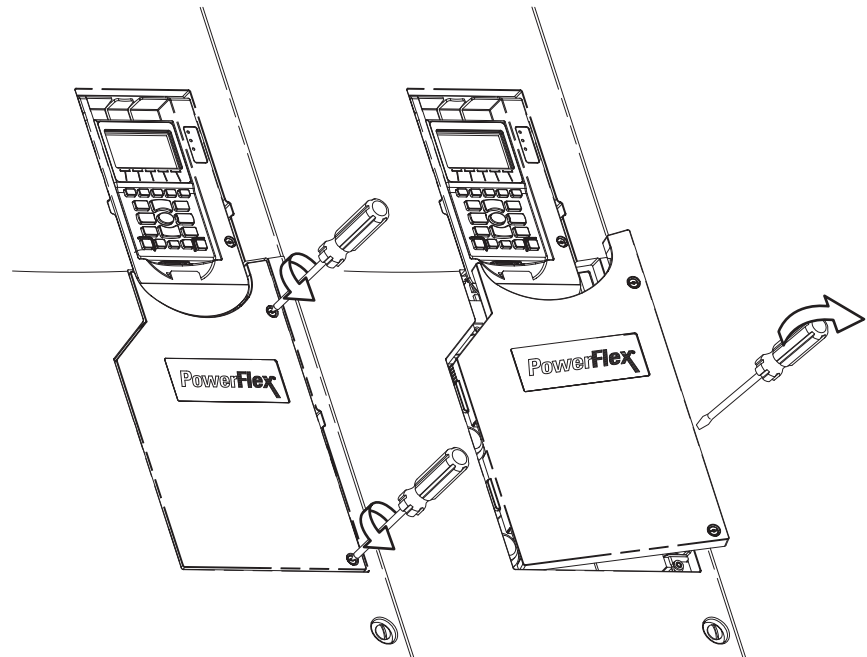
For wall mount Frames 1...5, follow these steps.

- a. Squeeze locking tabs and pull out bottom of cover.
- b. Pull cover down and away from the chassis.



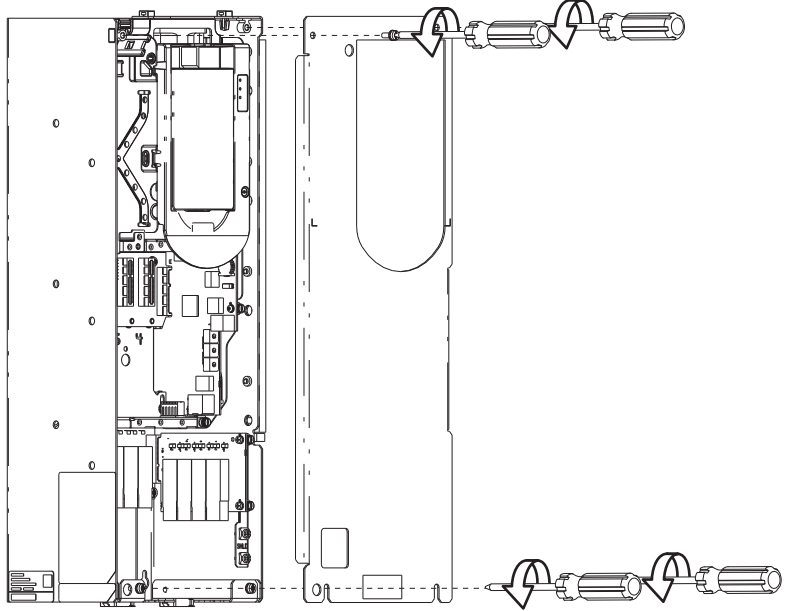
For wall mount Frames 6...7, follow these steps.

- a. Loosen door screws.
- b. Gently pry the door open to remove.

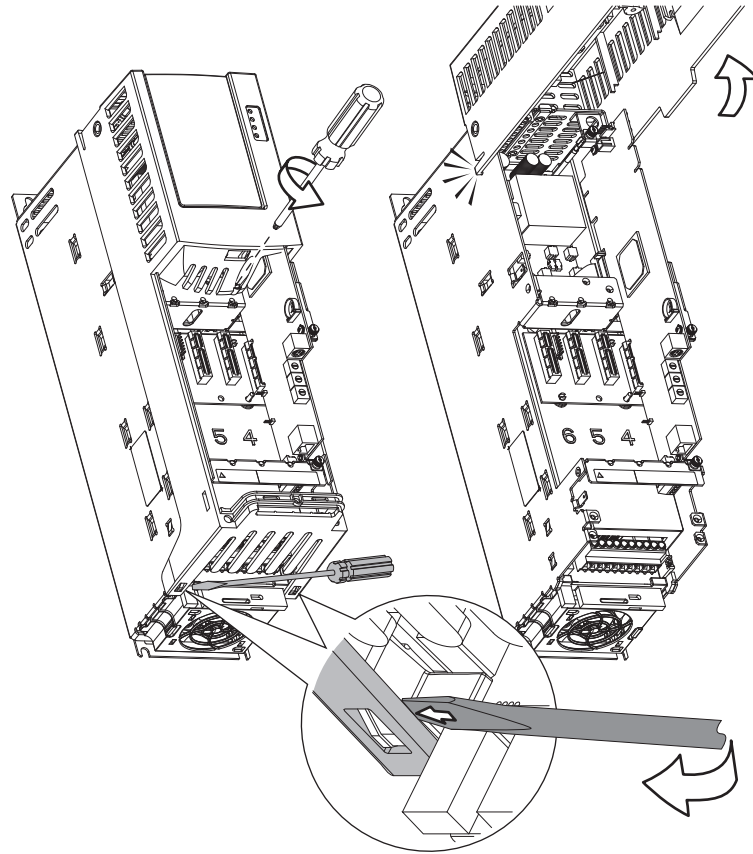


For floor mount Frames 8...10, follow these steps.

- a. Remove top screws.
- b. Loosen bottom screws.
- c. Remove the right front cover.

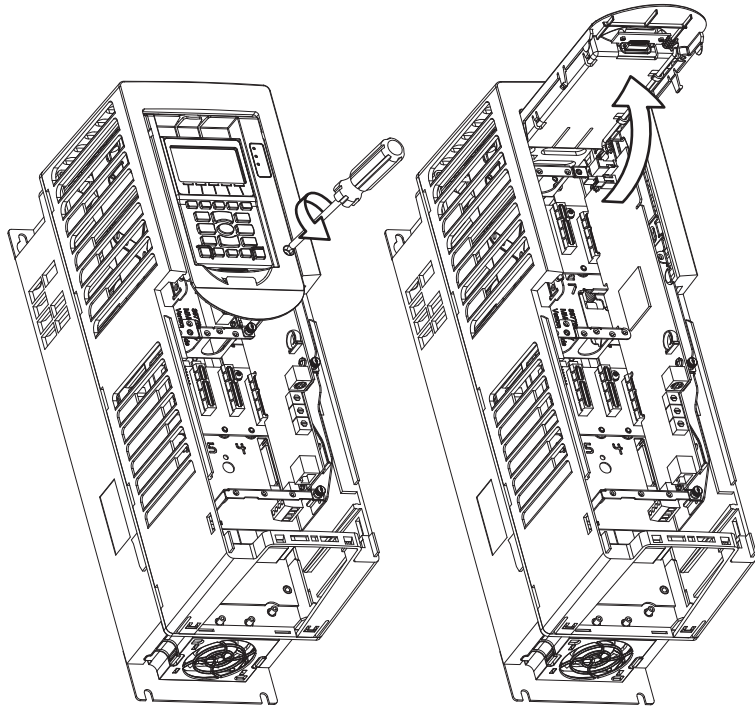


2. For wall mount Frame 1, follow these steps.
 - a. Lift the chassis cover.
 - b. Loosen the retention screw.
 - c. Use a screwdriver to release the chassis cover locking tabs.
 - d. Lift the chassis cover until the latch engages.



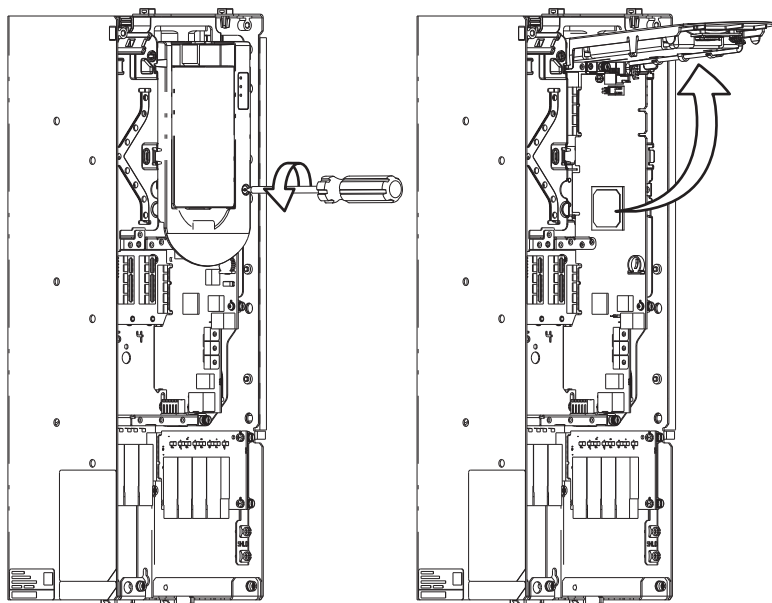
For wall mount Frames 2...7, follow these steps.

- a. Lift the Human Interface Module (HIM) cradle.
- b. Loosen the retention screw.
- c. Lift the cradle until the latch engages.



For floor mount Frames 8...10, follow these steps.

- a. Loosen the retention screw.
- b. Lift the cradle until the latch engages.



PowerFlex 753 Main Control Board

This section provides details for the PowerFlex® 753 main control board.

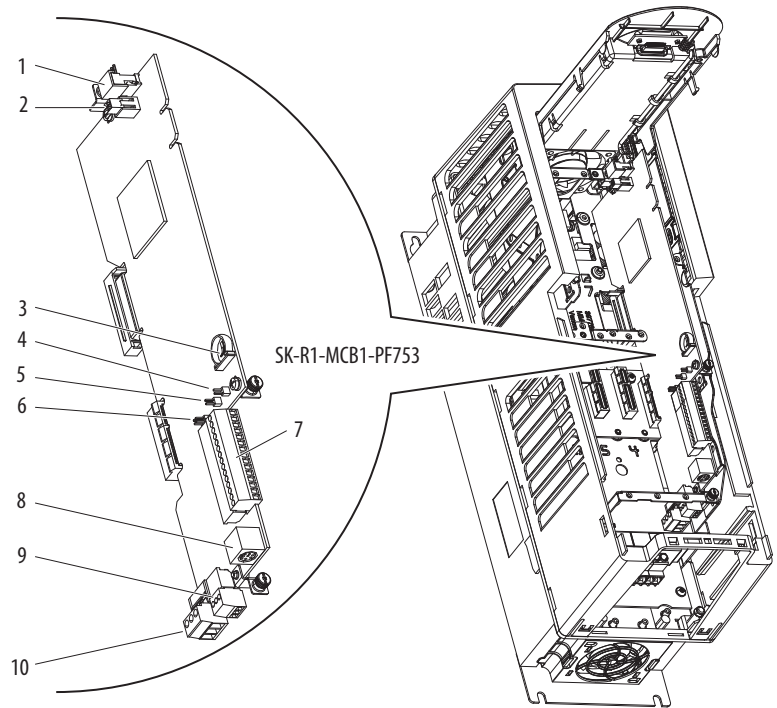


Table 56 - PowerFlex 753 Main Control Board Details

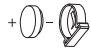
No.	Name	Description
1	HIM connector	DPI™ port 1 (HIM cradle) connection.
2	Fan connector	Power supply for internal cooling fan (Frames 2 and 3).
3	Battery receptacle	 User installed CR1220 lithium coin cell battery provides power to the real-time clock (optional, not supplied). Preserves the real-time clock setting in the event power to the drive is lost or cycled.
4	ENABLE jumper	Hardware enable jumper. TB3 becomes an Enable when this jumper is removed.
5	SAFETY jumper	Safety enable jumper. Removed when safety option is installed.
6	Jumper J4 input mode	Analog input mode jumper. Selects voltage mode or current mode.
7	TB1	I/O terminal block.
8	DPI port 2	Cable connection for handheld and remote HIM options.
9	TB3	Digital input terminal block. See Important at Table 60 .
10	TB2	Relay terminal block.

Table 57 - J4 Input Mode Jumper

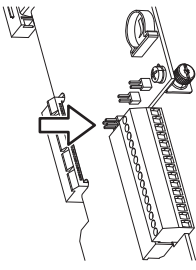
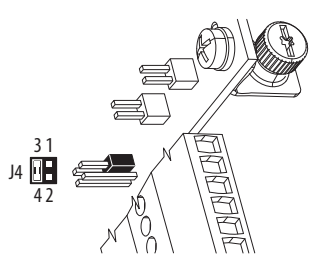
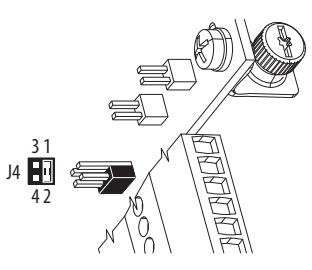
Jumper Position	Voltage Mode	Current Mode
		

Table 58 - TB1 Terminal Designations

Terminal	Name	Description	Related Parameter
Ao0-	Analog out 0 (-)	Bipolar, $\pm 10V^{(1)}$, 11 bit and sign, 2 k Ω min load. 4...20 mA ⁽¹⁾ , 11 bit and sign, 400 Ω max load.	270
Ao0+	Analog out 0 (+)		
10VC	10V common	For (+) 10V references. 2 k Ω min.	
+10V	+10V reference		
Ai0-	Analog input 0 (-)	Isolated ⁽²⁾ , bipolar, differential, 11 bit and sign. Voltage Mode: ⁽³⁾ $\pm 10V$ at 88 k Ω input impedance. Current Mode: ⁽³⁾ 0...20 mA at 93 Ω input impedance	255
Ai0+	Analog input 0 (+)		
Ptc-	Motor PTC (-)	Motor protection device (Positive Temperature Coefficient). ⁽⁴⁾	250
Ptc+	Motor PTC (+)		
T0	Transistor output 0	Open drain output, 48V DC, 250 m (164 ft) A max load.	
24VC	24V common		
+24V	+24V DC	Drive supplied logic input power. 150 m (492.1 ft) A max	
Di C	Digital input common		
Di 1	Digital input 1	24V DC (30V DC max) – Opto isolated High state: 20...24V DC Low state: 0...5V DC	220
Di 2	Digital input 2		

- (1) Mode is selected only by parameter.
- (2) Differential Isolation – External source must be maintained at less than 160V regarding PE. Input provides high common mode immunity.
- (3) Mode is selected by jumper J4.
- (4) See HW Input PTC on [page 256](#) for PTC data.

IMPORTANT 753 Main Control Board I/O TB1 wiring examples begin on [page 255](#).

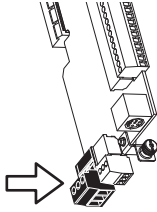
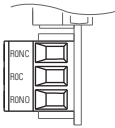


Table 59 - TB2 Terminal Designations

Fixed I/O	Terminal	Name	Description	Rating	Related Parameter
	R0NC	Relay 0 N.C.	Output Relay 0 normally closed contact	240V AC, 24V DC, 2 A max Only resistive	285 286 291
	R0C	Relay 0 Common	Output Relay 0 common		292
	R0NO	Relay 0 N.O.	Output Relay 0 normally open contact	240V AC, 24V DC, 2 A max General-purpose (inductive)/resistive	

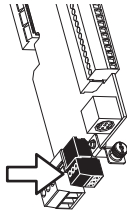
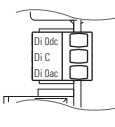


Table 60 - TB3 Terminal Designations

Power Block	Terminal	Name	Description	Related Parameter
	Di 0dc	Digital input 0 24V DC (30V DC max)	Connections for digital input 0 when signal is DC power. High state: 20...24V DC Low state: 0...5V DC	220
	Di C	Digital input common	Digital input common	
	Di 0ac	Digital input 0 120V AC (132V AC max)	Connections for digital input 0 when signal is AC power. High state: 100...132V AC Low state: 0...30V AC	

IMPORTANT This terminal becomes a hardware enable when the ENABLE jumper is removed.

PowerFlex 755 Main Control Board

This section provides details for the PowerFlex 755 main control board.

Wall Mount Frames 1...7

This section provides details for the PowerFlex 755 main control board, frames 1...7.

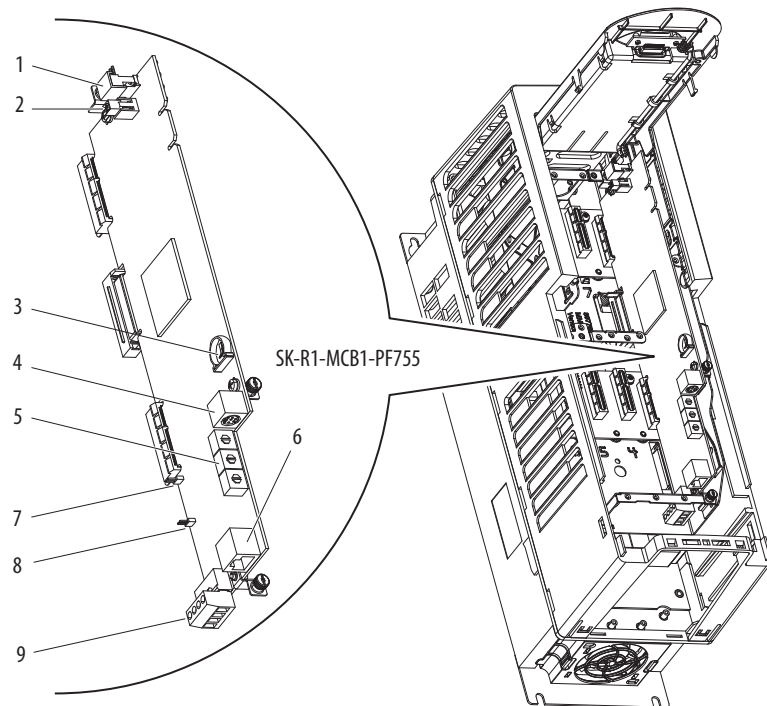
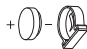


Table 61 - PowerFlex 755 Main Control Board Details

No.	Name	Description
1	HIM connector	DPI port 1 (HIM Cradle) connection.
2	Fan connector	Power supply for internal cooling fan (Frames 2 and 3).
3	 Battery receptacle	User installed CR1220 lithium coin cell battery provides power to the real-time clock (optional, not supplied). Preserves the real-time clock setting in the event power to the drive is lost or cycled.
4	DPI port 2	Cable connection for handheld and remote HIM options.
5	Embedded EtherNet/IP ⁽¹⁾ address selectors	Rotary switches for setting lowest octet of EtherNet address (forces address to 192.168.1.xxx). See the PowerFlex 750-Series AC Drives Programming Manual, publication 750-PM001 , for instructions on setting the IP address.
6	Embedded EtherNet/IP ⁽¹⁾ connector	Network cable connection.
7	SAFETY jumper	Safety enable jumper. Removed when safety option is installed.
8	ENABLE jumper	Hardware enable jumper. TB1 becomes an Enable when this jumper is removed.
9	TB1	I/O terminal block.

(1) See the PowerFlex 755 Drive Embedded EtherNet/IP Adapter User Manual, publication 750COM-UM001.

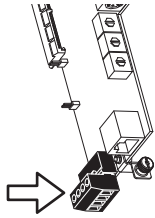


Table 62 - TB1 I/O Terminal Designations

Fixed I/O	Terminal	Name	Description
	Di 0ac	Digital input 0 120V AC (132V AC max)	Connections for AC power supply. High state: 100...132V AC Low state: 0...30V AC
	Di C	Digital input common	Digital input common
	Di 0dc	Digital input 0 24V DC (30V DC max)	Connections for DC power supply. High state: 20...24V DC Low state: 0...5V DC
	+24V	+24V power (50 m [164 ft] A max)	Connections for drive supplied 24V power.
	24VC	24V common	

Floor Mount Frames 8...10

This section provides details for the PowerFlex 755 main control board, frames 8...10.

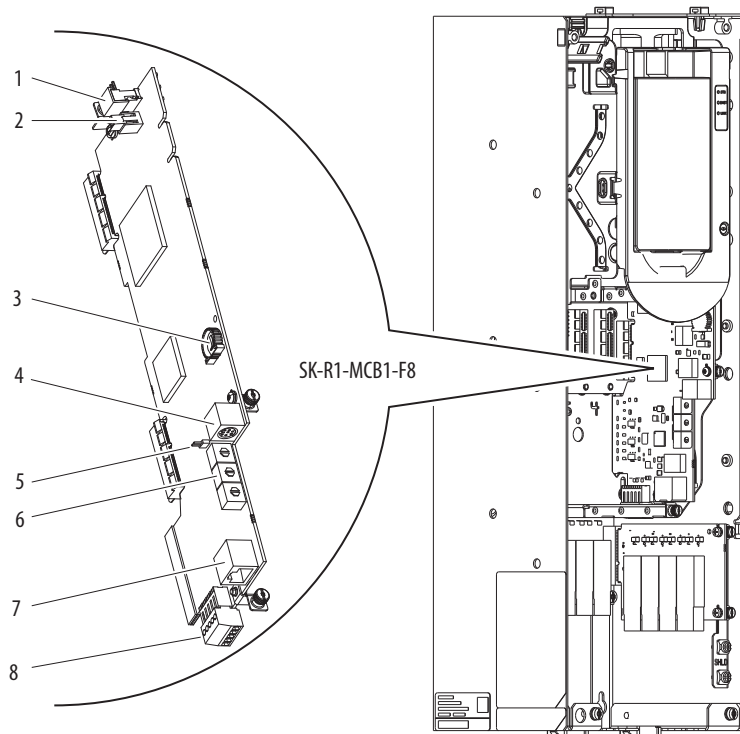


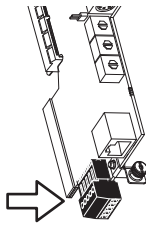
Table 63 - Control Board Details

No.	Name	Description
1	HIM connector	DPI port 1 (HIM Cradle) connection.
2	Fan connector	Power supply for internal cooling fan.
3	Battery receptacle	User installed CR1220 lithium coin cell battery provides power to the real-time clock (optional, not supplied). Preserves the real-time clock setting in the event power to the drive is lost or cycled.
4	DPI port 2	Cable connection for handheld and remote HIM options.

No.	Name	Description
5	ENABLE jumper	Hardware enable jumper. Removed when a hardware enable configuration is used.
6	Embedded EtherNet/IP ⁽¹⁾ address selectors	Rotary switches for setting lowest octet of EtherNet address (forces address to 192.168.1.xxx). See the PowerFlex 750-Series AC Drives Programming Manual, publication 750-PM001 , for instructions on setting the IP address.
7	Embedded EtherNet/IP ⁽¹⁾ connector	Network cable connection.
8	TB1	I/O terminal block.

(1) See the PowerFlex 755 Drive Embedded EtherNet/IP Adapter User Manual, publication 750COM-UM001.

Table 64 - TB1 I/O Terminal Designations



Fixed I/O	Terminal	Name	Description
	Di 0ac	Digital input 0 120V AC (132V AC max)	Connections for AC power supply. High state: 100...132V AC Low state: 0...30V AC
	Di C	Digital input common	Digital input common
	Di 0dc	Digital input 0 24V DC (30V DC max)	Connections for DC power supply. High state: 20...24V DC Low state: 0...5V DC
	+24V	+24V power	Connections for drive supplied 24V power. 150 m (492.1 ft) A max
	24VC	24V common	

Hardware Enable Circuitry

Each main control board has one digital input, digital input 0, which can be used as a general-purpose programmable input. Or you can remove a jumper to configure as a dedicated hardware enable, which is unaffected by parameter settings.

- PowerFlex 753 – digital input 0 is found on TB3
- PowerFlex 755 – digital input 0 is found on TB1

To configure digital input 0 as a dedicated hardware enable, follow these steps.

1. Access the control pod as described beginning on [page 234](#).
2. Locate and remove ENABLE jumper on the Main Control Board (see the figure for your drive):
 - [PowerFlex 753 – ENABLE Jumper Location, Figure 128](#)
 - [PowerFlex 755 – ENABLE Jumper Location \(Wall Mount Frames 1...7\), Figure 129](#)
 - [PowerFlex 755 – ENABLE Jumper Location \(Floor Mount Frames 8...10\), Figure 130](#)

Figure 128 - PowerFlex 753 – ENABLE Jumper Location

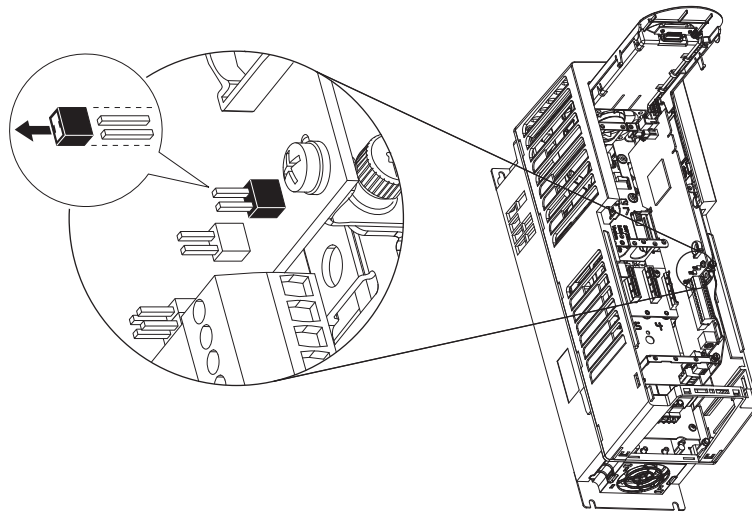


Figure 129 - PowerFlex 755 – ENABLE Jumper Location (Wall Mount Frames 1...7)

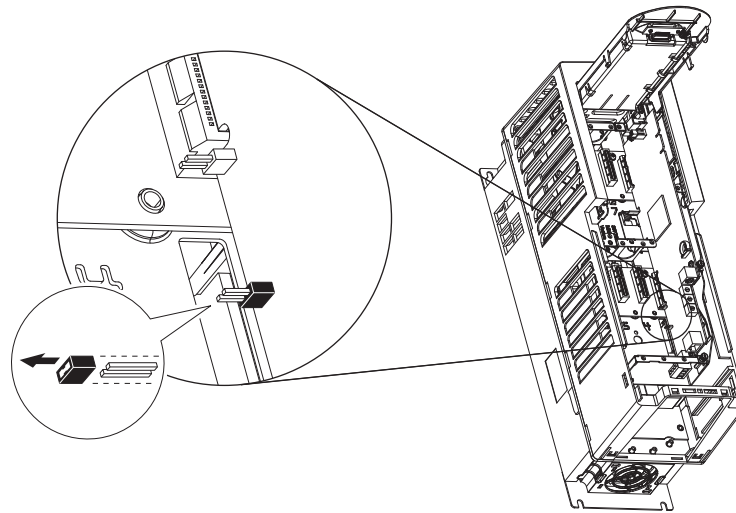
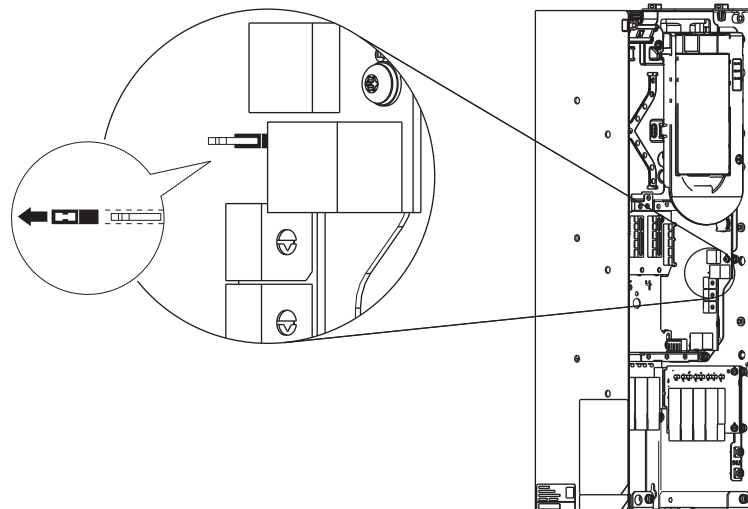


Figure 130 - PowerFlex 755 – ENABLE Jumper Location (Floor Mount Frames 8...10)



Safety Enable Circuitry

The drive ships with the safety jumper (SAFETY) installed. This jumper must be removed when using the Safe Torque Off or Safe Speed Monitoring safety options.

IMPORTANT Failure to remove the jumper when using either safety option causes the drive to fault when a start command is issued.

To remove the SAFETY jumper, follow these steps.

1. Access the control pod as described beginning on [page 234](#).
2. Locate and remove SAFETY jumper on the main control board (see the figure for your drive).

Figure 131 - PowerFlex 753 – SAFETY Jumper Location

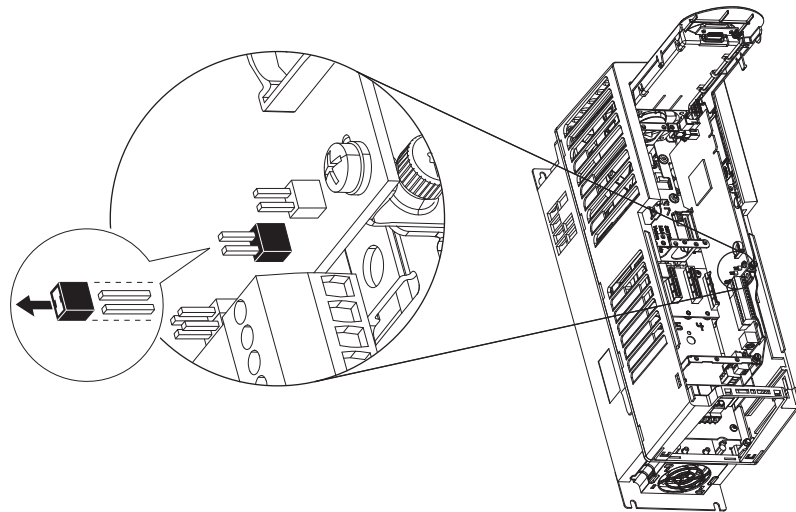
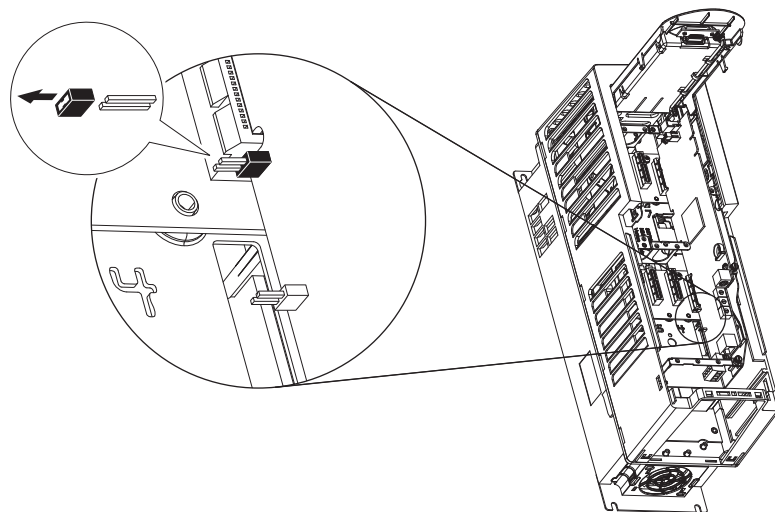


Figure 132 - PowerFlex 755 – SAFETY Jumper Location (Only Wall Mount Frames 1...7)



IMPORTANT Floor Mount Frame 8 drives and larger do not have a SAFETY jumper.

PowerFlex 755 Fiber-optic Interface Board

This section provides details for the PowerFlex 755 fiber-optic interface board.

Figure 133 - Floor Mount Frames 8...10

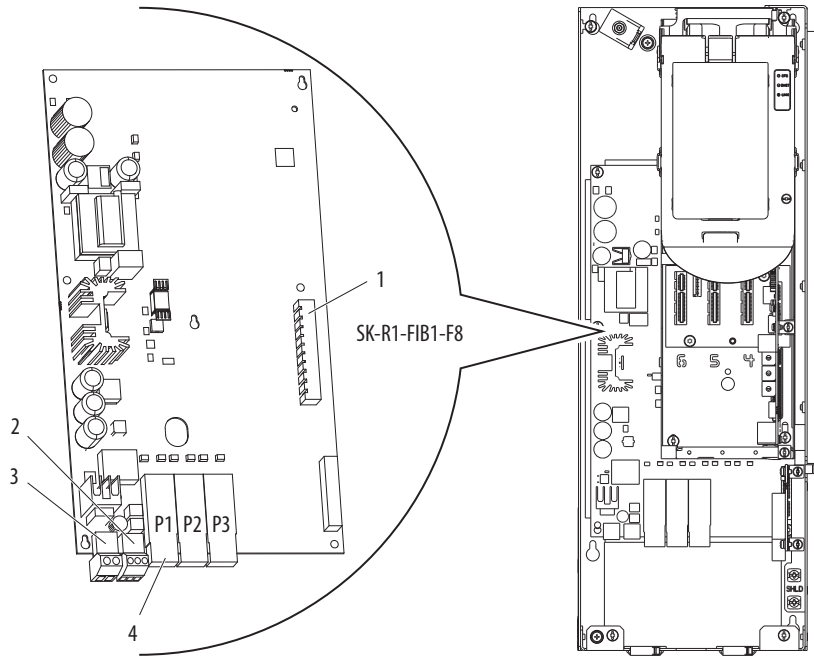


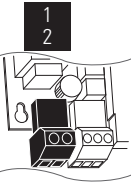
Table 65 - Fiber-optic Interface Board Details

No.	Name	Description
1	Main control board connector	98-pin main control board interface connection.
2	P13	Connections for user-supplied 24V power. Powers control circuits when main power is removed.
3	P14	Connections for internal drive-supplied 24V power. Connection is factory-wired and must not be modified. Powers control circuits when main power is connected.
4	Inverter connections	Fiber-optic ports: P1 = INV1, P2 = INV2, P3 = INV3, P4 = INV4, P5 = INV5

Table 66 - P13 Terminal Designations

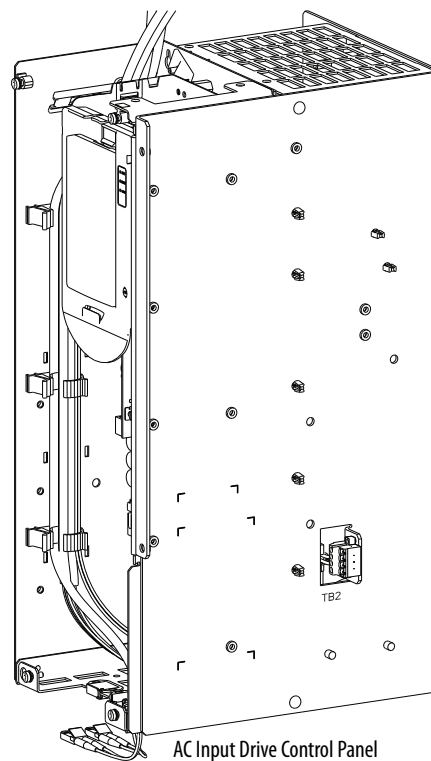
Power Block	Terminal	Name	Description
	AP+	+24V auxiliary power	Connections for customer supplied power supply: 24V DC ±10%, 5 A, PELV (protective extra low voltage) or SELV (safety extra low voltage)
	AP-	Auxiliary power common	
	Sh	Shield	Terminating point for wire shields.

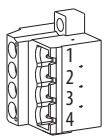
Table 67 - P14 Terminal Designations

Power Block	Terminal	Name	Description
	1	+24V power	Connections for drive supplied power.
	2	Power common	

AC Input Drive Control and Power Terminal Block

This section provides details for the AC input drive control and power terminal block.

Figure 134 - Floor Mount Frames 8...10**Table 68 - TB2 Terminal Designations**

Fixed I/O	Terminal	Name	Description	Rating	Related Parameter
	1	SHUNT TRIP COMMON	Output Relay common	125V AC, 10 A max, 1250VA Only resistive	16 On port 11
	2	SHUNT TRIP NO	Output Relay normally open contact.		
	3	FAN 240VAC OUT NEUTRAL	Connections for cooling fans.	240V AC, 50/60 Hz, 1.4 A, 336VA	
	4	FAN 240VAC OUT HOT			

Shunt Trip Contact Operation

A ground fault occurs when the input ground current exceeds the threshold set in P16 [Gnd Cur Flt Lvl] On port 11 for five line cycles.

Common DC Input Drive Control and Power Terminal Blocks

This section provides details for the common DC input drive control and power terminal block.

Figure 135 - Floor Mount Frames 8...10

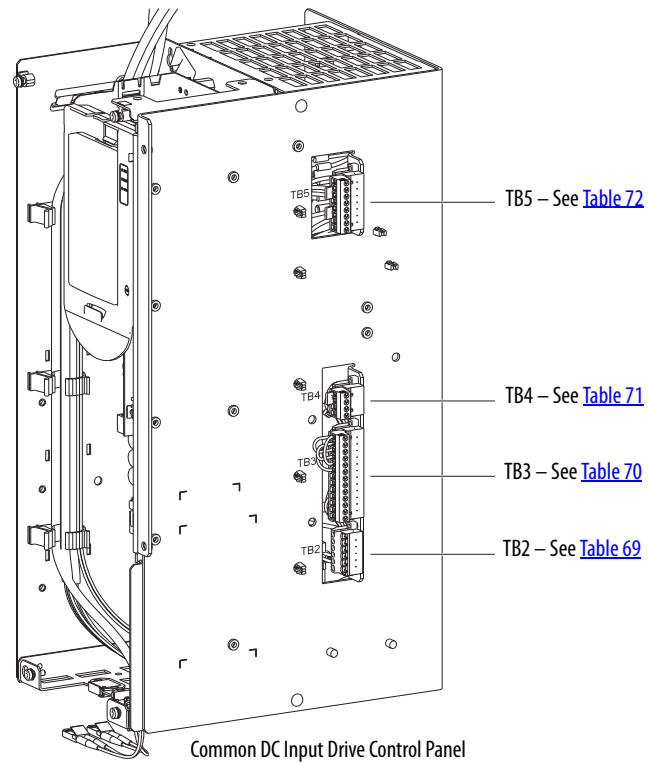
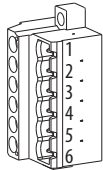


Table 69 - TB2 Terminal Designations

Fixed I/O	Terminal	Name	Description	Rating
	1	UPS 120V AC IN NEUTRAL	Connections for uninterruptible power supply (UPS). ⁽¹⁾	N/A
	2	UPS 120V AC IN HOT		
	3	CONTROL 120/240VAC IN NEUTRAL	Connections for control power supply. ⁽²⁾	N/A
	4	CONTROL 120/240VAC IN HOT		
	5	FAN 240VAC OUT NEUTRAL	Connections for cooling fans.	240V AC, 50/60 Hz, 1.4 A, 336VA
	6	FAN 240VAC OUT HOT		

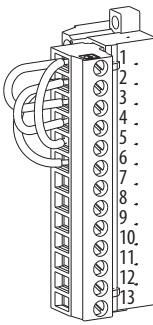
(1) See [Uninterruptible Power Supply Connections – Common DC Input Drives on page 253](#).

(2) See [120/240V AC Power Supply Connections – Common DC Input Drives on page 254](#).

DC Precharge Board

The DC precharge board provides sensing of bus voltage, monitoring of bus fuses and control over all precharge hardware.

Table 70 - TB3 Terminal Designations

Fixed I/O	Terminal	Name	Description
	1	I/O 24V	Drive supplied 24V DC I/O power.
	2	I/O 24V COMMON	
	3	EXT. PRCHRG CLOSE/OPEN INPUT+	External precharge close/open input.
	4	EXT. PRCHRG CLOSE/OPEN INPUT-	
	5	EXT. PRCHRG INHIBIT INPUT+	External precharge inhibit input.
	6	EXT. PRCHRG INHIBIT INPUT-	
	7	RESET FAULTS INPUT +	Reset faults input.
	8	RESET FAULTS INPUT -	
	9	PRECHARGE COMPLETE NO	Precharge complete normally open input
	10	PRECHARGE COMPLETE COM	
	11	FAULT OUT NC	Normally closed contact output. Normally open contact output.
	12	FAULT OUT NO	
	13	FAULT OUT COM	

Factory Jumper Settings:

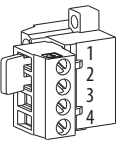
- TB3-1 and TB3-3
- TB3-1 and TB3-5
- TB3-2 and TB3-4
- TB3-2 and TB3-6

IMPORTANT: Do not remove the factory-installed jumpers.

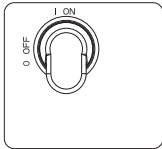
Cabinet Door Interlock and Door Switch

The common DC input drive supports the installation of a door interlock solenoid and door switch.

Table 71 - TB4 Terminal Designations

Fixed I/O	Terminal	Name	Description
	1	DOOR SWITCH CLOSED	Normally open door switch. Door switch input connection. Remove TB4-1 to TB4-2 jumper to wire switch.
	2	I/O 24V	Drive supplied 24V DC power. Door switch supply or power connection.
	3	240V AC NEUTRAL	Solenoid neutral connection.
	4	240V AC HOT DOOR INTERLOCK SOLENOID	Drive supplied 240V AC power. Solenoid hot connection.

Disconnect Switch (SW2) Operation

SW2 Is On	Door Closed	Door Open
 <p>See Figure 42 - on page 79 for location.</p>	Solenoid and door switch circuits are energized.	Alarm is indicated.

120V Output Wiring for Drive Control

The common DC input drive provides limited 120V control power for use with the drive control pod option modules. For terminal block wiring specifications, see [Table 54](#) on [page 233](#).

Table 72 - TB5 Terminal Designations

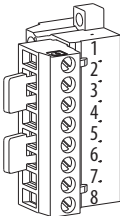
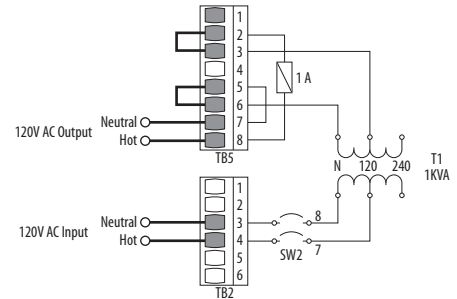
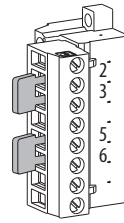
Fixed I/O	Terminal	Name	Description	Rating
	1	UPS 120V AC OUT HOT	Jumper combinations select the source of the 120V AC output for drive control. See Table 73 on page 251 .	120V AC, 50/60 Hz, 0.4 A, 48VA Fusing: 1 A, 600V, Class CC, Time Delay
	2	120V AC HOT		
	3	CONTROL 120V AC OUT HOT		
	4	UPS 120V AC OUT NEUTRAL		
	5	120V AC NEUTRAL		
	6	CONTROL 120V AC OUT NEUTRAL		
	7	120V AC OUT NEUTRAL	Drive supplied 120V AC output for drive control.	
	8	120V AC OUT HOT		

Table 73 - TB5 Jumper Settings**120V AC from Control Transformer**

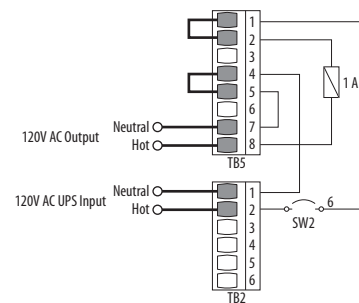
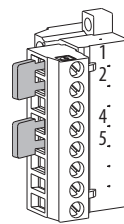
Factory Jumper Settings:

- TB5-2 and TB5-3
- TB5-5 and TB5-6

**120V AC from User Supplied UPS**

User Jumper Settings:

- TB5-1 and TB5-2
- TB5-4 and TB5-5

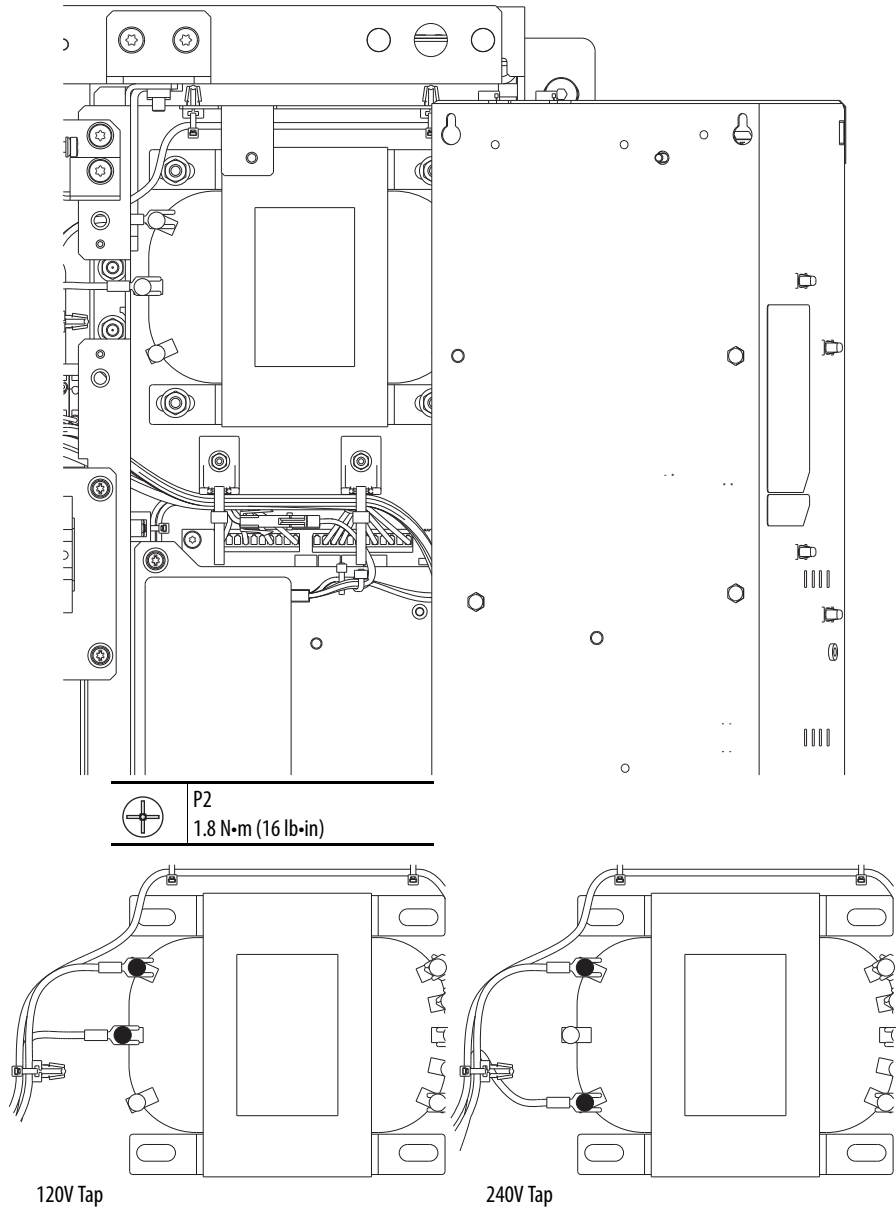


ATTENTION: Hazard of personal injury or equipment damage exists if jumpers are incorrectly set. Verify that the jumpers are set for the correct control scheme before energizing the circuit.

Control Transformer Connections – Common DC Input Drives

The common DC input drive control transformer is factory set to 120V AC input. A 240V AC input setting is also available by changing primary wire connections.

Figure 136 - Control Transformer Voltage Settings – Floor Mount Frames 8...10



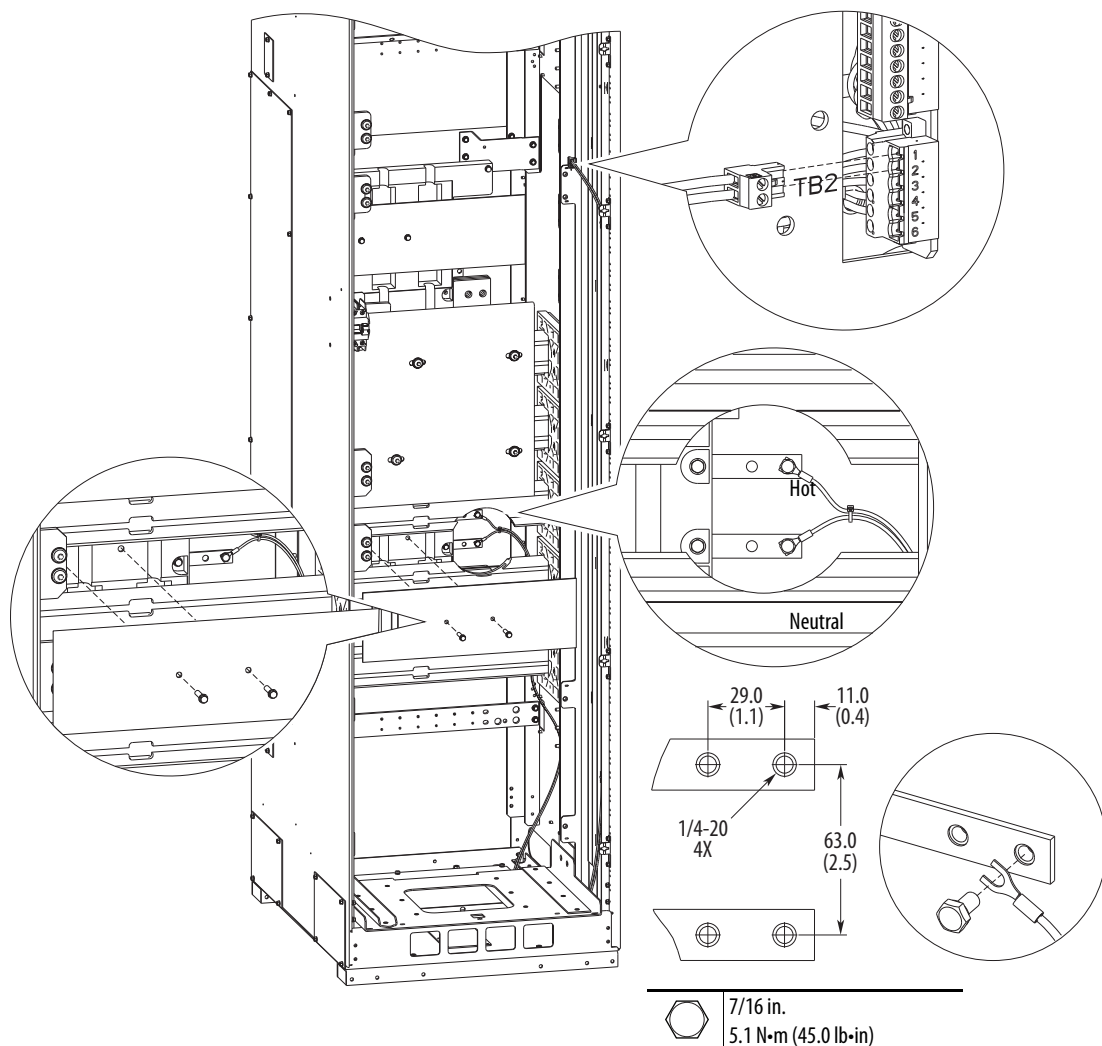
Uninterruptible Power Supply Connections – Common DC Input Drives

The user-supplied 120V AC UPS is connected to the lower 120V rail in the back of the common DC input drive cabinet. The UPS rail is only installed when the P30 UPS Control Bus option is selected. The rail is connected to TB2-1 and TB2-2 on the common DC input drive control panel. To use 120V AC UPS power, configure the TB5 jumpers as shown in [Table 73 on page 251](#).



ATTENTION: To avoid an electric shock hazard when servicing the drive, a means for lockout/tagout of an external 120V uninterruptible power supply must be provided. Or the circuit breaker SW5 must be locked and tagged. Lockout/tagout of the common bus precharge disconnect switch SW2 alone does not provide sufficient protection when servicing the drive.

Figure 137 - UPS Connection Terminals – Floor Mount Frames 8...10



IMPORTANT The UPS wiring is internally wired through the DC input drive disconnect switch SW2 ahead of the UPS terminal connections.

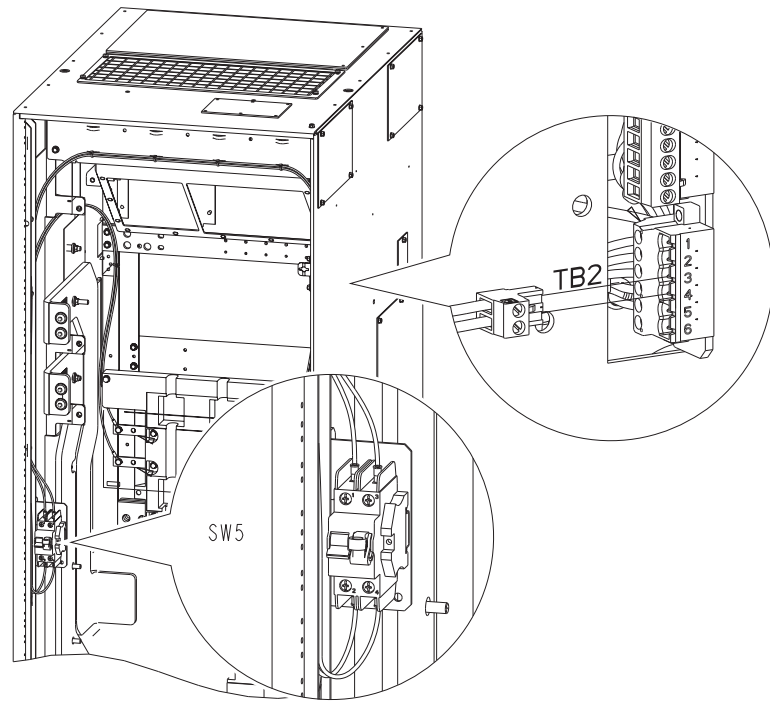
120/240V AC Power Supply Connections – Common DC Input Drives

The drive-supplied 120/240V AC is wired through a circuit breaker that is mounted in the common DC input drive cabinet. The circuit breaker is connected to TB2-3 and TB2-4 on the common DC input drive control panel.



ATTENTION: To avoid an electric shock hazard when servicing the drive, a means for lockout/tagout of an external 120/240V power source must be provided. Or the circuit breaker SW5 must be locked and tagged. Lockout/tagout of the common bus precharge disconnect switch SW2 alone does not provide sufficient protection when servicing the drive.

Figure 138 - 120V Connection Terminals – Floor Mount Frames 8...10



This 13 A circuit breaker provides branch-circuit short circuit and overcurrent protection for the wiring on the primary side of the control transformer, and protection of the transformer primary. Transformer secondary protection (240V output) is provided through a 5 A, 600V, Class CC, time delay fuse.

IMPORTANT The transformer primary wiring is internally wired through the DC input drive disconnect switch SW2 ahead of the control transformer primary terminal connections.

PowerFlex 753 Main Control Board I/O Wiring Examples

This section provides wiring examples for the PowerFlex 753 main control I/O board.

Table 74 - PowerFlex 753 Main Control I/O Board Wiring Examples

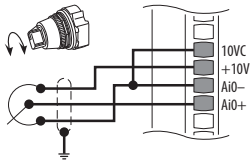
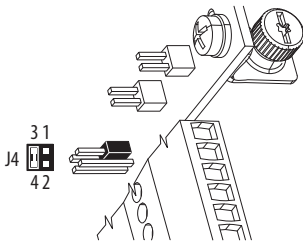
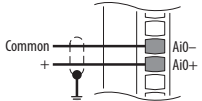
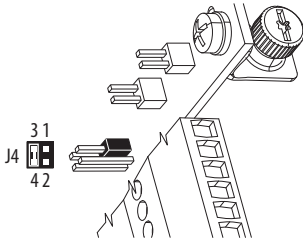
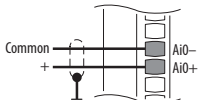
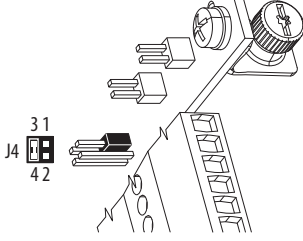
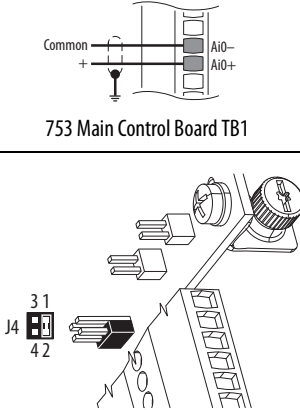
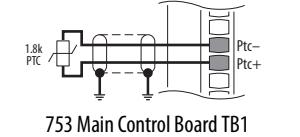

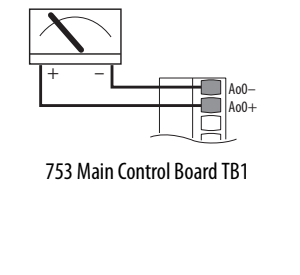
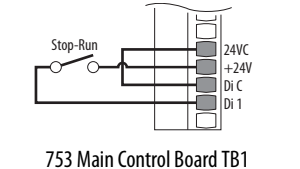
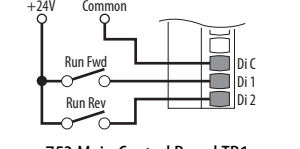
Input/Output	Connection Example	Required Parameter Changes
Potentiometer Unipolar Speed Reference 10 k Ω Pot. Recommended (2 k Ω Minimum)	 <p>753 Main Control Board TB1</p> 	<ul style="list-style-type: none"> Set direction mode Port 0: P308 [Direction Mode] = 0 "Unipolar" Set selection Port 0: P545 [Spd Ref A Sel] = Port 0: P260 [Anlg In0 Value] Adjust scaling Port 0: P261 [Anlg In0 Hi] = 10V Port 0: P262 [Anlg In0 Lo] = 0V Port 0: P547 [Spd Ref A AnlgHi] = 60 Hz Port 0: P548 [Spd Ref A AnlgLo] = 0 Hz View results Port 0: P260 [Anlg In0 Value] Port 0: P592 [Selected Spd Ref]
Analog Input Bipolar Speed Reference $\pm 10V$ Input	 <p>753 Main Control Board TB1</p> 	<ul style="list-style-type: none"> Set direction mode Port 0: P308 [Direction Mode] = 1 "Bipolar" Set selection Port 0: P545 [Spd Ref A Sel] = Port 0: P260 [Anlg In0 Value] Adjust scaling Port 0: P261 [Anlg In0 Hi] = +10V Port 0: P262 [Anlg In0 Lo] = -10V Port 0: P547 [Spd Ref A AnlgHi] = +60 Hz Port 0: P548 [Spd Ref A AnlgLo] = -60 Hz View results Port 0: P260 [Anlg In0 Value] Port 0: P592 [Selected Spd Ref]
Analog Voltage Input Unipolar Speed Reference 0...+10V Input	 <p>753 Main Control Board TB1</p> 	<ul style="list-style-type: none"> Set direction mode Port 0: P308 [Direction Mode] = 0 "Unipolar" Set selection Port 0: P545 [Spd Ref A Sel] = Port 0: P260 [Anlg In0 Value] Adjust scaling Port 0: P261 [Anlg In0 Hi] = 10V Port 0: P262 [Anlg In0 Lo] = 0V Port 0: P547 [Spd Ref A AnlgHi] = 60 Hz Port 0: P548 [Spd Ref A AnlgLo] = 0 Hz View results Port 0: P260 [Anlg In0 Value] Port 0: P592 [Selected Spd Ref]

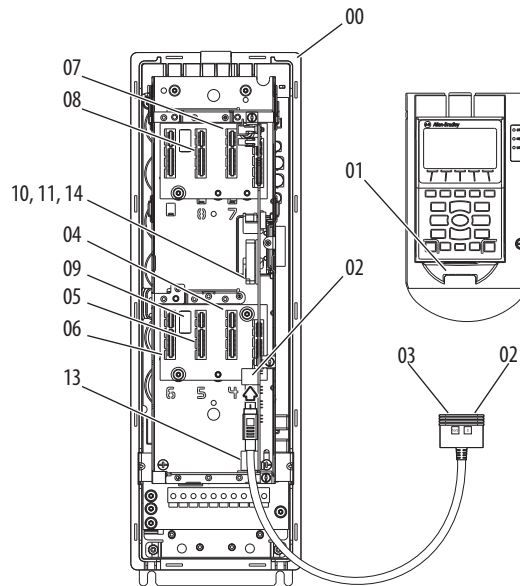
Table 74 - PowerFlex 753 Main Control I/O Board Wiring Examples (Continued)

Input/Output	Connection Example	Required Parameter Changes
<p>Analog Current Input Unipolar Speed Reference 0...20 mA Input</p>		<ul style="list-style-type: none"> Set direction mode Port 0: P308 [Direction Mode] = 0 "Unipolar" Set selection Port 0: P545 [Spd Ref A Sel] = Port 0: P260 [Anlg In0 Value] Adjust scaling Port 0: P261 [Anlg In0 Hi] = 20 mA Port 0: P262 [Anlg In0 Lo] = 0 mA Port 0: P547 [Spd Ref A AnlgHi] = 60 Hz Port 0: P548 [Spd Ref A AnlgLo] = 0 Hz View results Port 0: P260 [Anlg In0 Value] Port 0: P592 [Selected Spd Ref]
<p>HW Input PTC Standard = No design standard PTC Nominal = 1.8 kΩ PTC Trip = 3.1 kΩ PTC Reset = 2.2 kΩ Short Circuit Trip – No fault</p>		<ul style="list-style-type: none"> Configuration Port 0: P250 [PTC Cfg] = 0 "Ignore," 1 "Alarm," 2 "Flt Minor," 3 "FltCoastStop," 4 "Flt RampStop," or 5 "Flt CL Stop" View results Port 0: P251 [PTC Status]
<div style="display: flex; align-items: center;">  <p>ATTENTION: To avoid an electric shock hazard, the connection of the motor temperature sensor requires double or reinforced insulation between motor live parts and the PTC.</p> </div>		
<p>Analog Voltage Output ±10V, 0...20 mA Bipolar +10V Unipolar</p>		<ul style="list-style-type: none"> Configuration Port 0: P270 [Anlg Out Type], bit 0 = 0 Set selection Port 0: P275 [Anlg Out0 Sel] = Port 0: P3 [Mtr Vel Fdbk] Adjust scaling Port 0: P278 [Anlg Out0 DataHi] = 60 Hz Port 0: P279 [Anlg Out0 DataLo] = 0 Hz Port 0: P280 [Anlg Out0 Hi] = 10V/20 mA Port 0: P281 [Anlg Out0 Lo] = 0V/0 mA View results Port 0: P277 [Anlg Out0 Data] Port 0: P282 [Anlg Out0 Val]
<p>2-Wire Control Non-reversing 24V DC internal supply</p>		<ul style="list-style-type: none"> Set direction mode Port 0: P308 [Direction Mode] = 2 "Rev Disable" Set selection Port 0: P163 [DI Run] = Port 0: P220 [Digital In Sts], bit 1 = Digital In 1 View results Port 0: P220 [Digital In Sts] Port 0: P935 [Drive Status 1]
<p>2-Wire Control Reversing External 24V supply</p>		<ul style="list-style-type: none"> Set direction mode Port 0: P308 [Direction Mode] = 0 "Unipolar" Set selection Port 0: P164 [DI Run Forward] = Port 0: P220 [Digital In Sts], bit 1 = Digital In 1 Port 0: P165 [DI Run Reverse] = Port 0: P220 [Digital In Sts], bit 2 = Digital In 2 View results Port 0: P220 [Digital In Sts] Port 0: P935 [Drive Status 1]

Drive Device Ports

Connectors, embedded devices, and installed option modules such as I/O, communication adapters, and DeviceLogix™ options, have unique port number assignments. Connectors and embedded devices have fixed port numbers that cannot be changed. Option modules are assigned a port number when installed.

Figure 139 - Drive Device Ports



Port	Device	Description
00	Host drive	Fixed port for the drive.
01	HIM	Fixed port at HIM cradle connector. Splitter cable connector provides Port 01 when HIM cradle connector is unused.
02	DPI port	Handheld or remote HIM connection. Splitter cable connection.
03	Splitter cable	Connects to DPI port 02. Provides Port 02 and Port 03.
04 . . . 08	Option modules	Available ports for option modules. See Option Module Installation on page 259 for port recommendations for each option module. IMPORTANT: Ports 07 and 08 are available on PowerFlex 755 Frame 2 drives and larger only. PowerFlex 755 Frame 1 drives and 753 drives do not support ports 07 and 08.
09	Auxiliary power supply option module	Designated port for the auxiliary power supply when connected via cable. (PowerFlex 755 Frame 1 and 753 drives only. See page 283 .)
10	Inverter	Fixed port for inverter (PowerFlex 755 Frame 8 drives and larger only).
11	Converter	Fixed port for converter (PowerFlex 755 Frame 8 drives and larger only).
12		Reserved for future use.
13	EtherNet/IP	Fixed port for embedded EtherNet/IP (PowerFlex 755 drives only).
14	DeviceLogix	Fixed port for embedded DeviceLogix.

Option Module Installation

Compatible port locations can be restricted for each module. An icon with position numbers is provided to indicate which option module ports are compatible. For example, the icon to the right indicates that the option module is only compatible with port 4.



ATTENTION: Hazard of equipment damage exists if an option module is installed or removed while the drive is powered. To avoid damaging the drive, verify that the voltage on the bus capacitors has discharged completely and all control power is removed before performing any work on the drive.

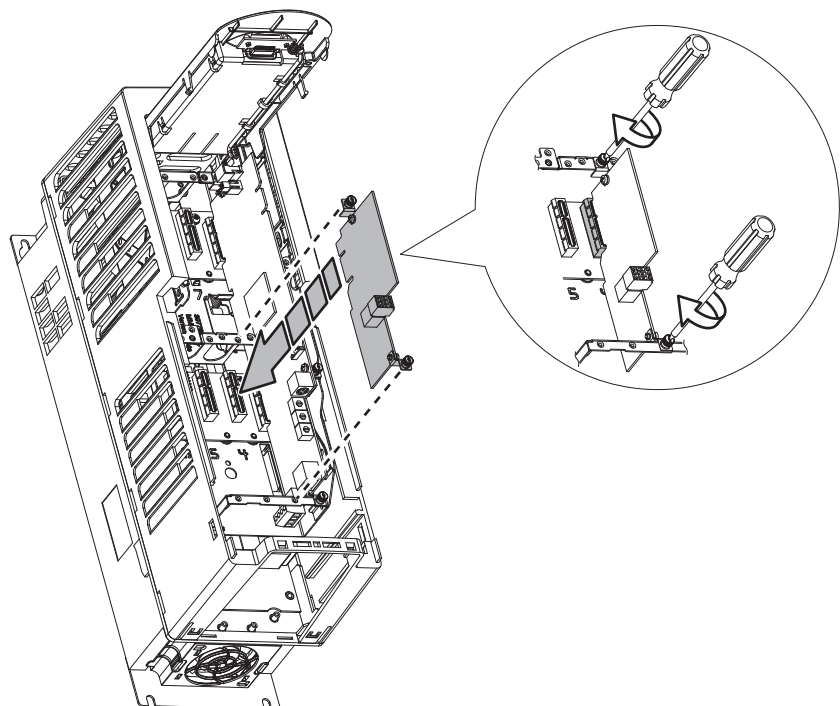
Frames 1...7: Measure the DC bus voltage at the power terminal block by measuring between the +DC and -DC terminals (see [Figure 95](#) and [Figure 14](#) for location), between the +DC terminal and chassis, and between the -DC terminal and the chassis. The voltage must be zero for all three measurements.

Frames 8...10: Measure the DC bus voltage at the DC+ and DC- TESTPOINT sockets on the front of the power module (see [Figure 98](#)). The voltage must be zero

To install an option module, follow these steps.

1. Firmly press the module edge connector into the desired port.
2. Tighten the top and bottom retaining screws.
 - Recommended torque = 0.45 N•m (4.0 lb•in)
 - Recommended screwdriver = T15 Hexalobular

IMPORTANT Do not overtighten the retaining screws.



11-Series I/O Option Module

This section provides a description of the 11-Series I/O option module.



ATTENTION: When used in an Integrated Motion on EtherNet/IP networks application for Firmware, versions 12 and later, the 11-series module must be installed only in port 7.

Note that you cannot use the ATEX card with the 11-series I/O card in port 7 when used in an Integrated Motion on EtherNet/IP application.

- 20-750-1132C-2R (24 Volts DC)
- 20-750-1133C-1R2T (24 Volts DC)
- 20-750-1132D-2R (120 Volts AC)

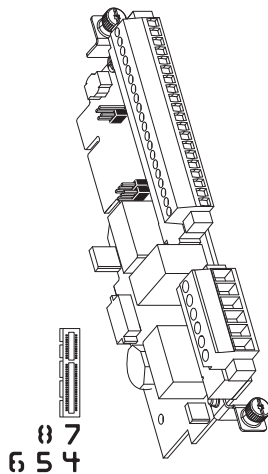


Table 75 - Analog Input Mode Jumpers

Voltage Mode	Current Mode

Table 76 - TB1 Terminal Designations

Terminal	Name	Description	Related Parameter ⁽⁴⁾
-10V	-10V reference	Negative 10V DC for analog inputs. 2 kΩ min	
10VC	10V common	For (-) and (+) 10V references.	
+10V	+10V reference	Positive 10V DC for analog inputs. 2 kΩ min	
Sh	Shield	Terminating point for wire shields when an EMC plate or conduit box is not installed.	
Ao0-	Analog out 0 (-)	Bipolar, ±10V, 11 bit and sign, 2 kΩ min load. 4...20 mA, 11 bit and sign, 400 Ω max load.	75 On port X
Ao0+	Analog out 0 (+)		
Sh	Shield	Terminating point for wire shields when an EMC plate or conduit box is not installed.	
Ai0-	Analog input 0 (-)	Differential ⁽²⁾ , bipolar, 11 bit and sign. Voltage Mode: ±10V at 88 kΩ input impedance. Current Mode: 0...20 mA at 93 Ω input impedance.	50, 70 On port X
Ai0+	Analog input 0 (+)		
Sh	Shield	Terminating point for wire shields when an EMC plate or conduit box is not installed.	

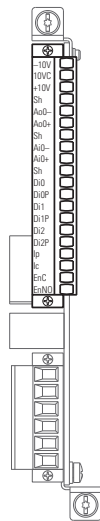


Table 76 - TB1 Terminal Designations (Continued)

	Terminal	Name	Description	Related Parameter ⁽⁴⁾
	Di0	Digital input 0	24V DC (30V DC Max) – Opto isolated High state: 20...24V DC 11.2 mA DC Low state: 0...5V DC 120V AC (132V AC Max) 50/60 Hz ⁽³⁾ – Opto isolated High state: 100...132V AC Low state: 0...30V AC	1 On port X
	Di0P	Digital input 0 power ⁽¹⁾		
	Di1	Digital input 1		
	Di1P	Digital input 1 Power ⁽¹⁾		
	Di2	Digital input 2		
	Di2P	Digital input 2 power ⁽¹⁾		
	Ip	Input power	External 24V DC or 115V AC power supply input connections. Does not power the main control board.	
	Ic	Input common		
	EnC	Enable output	ATEX fault enable output. Used only when an ATEX option module is installed.	
	EnNO			

(1) Digital Inputs are either 24V DC (1132C) or 115V AC (1132D) based on module catalog number. Verify applied voltage is correct for I/O module.

(2) Differential – External source must be maintained at less than 160V regarding PE. Input provides high common mode immunity.

(3) For CE compliance use shielded cable. Do not exceed cable length of 30 m (98.4 ft).

(4) I/O Module parameters also have a port designation.



ATTENTION: Risk of equipment damage exists. Verify that the correct voltage is applied to the I/O Module digital inputs. See the I/O Module catalog number to determine the voltage rating.

- 20-750-1132C-2R is rated 24V DC
- 20-750-1133C-1R2T is rated 24V DC
- 20-750-1132D-2R is rated 120V AC

Table 77 - TB2 Terminal Designations (Two Relay Outputs: 2R)

Relay Out	Terminal	Name	Description	Related Parameter
	R0NO	Relay 0 N.O.	Relay normally open contact output: 240V AC, 30V DC, 3.5 A max General-purpose (inductive)/resistive	10, 100, 101, 105, 106 On port X
	R0C	Relay 0 common		
	R0NC	Relay 0 N.C.		
	R1NO	Relay 1 N.O.	Relay normally closed contact output: 240V AC, 30V DC, 5 A max Only resistive	20, 110, 111, 115, 116 On port X
	R1C	Relay 1 common		
	R1NC	Relay 1 N.C.		

Table 78 - TB2 Terminal Designations (One Relay and Two Transistor Outputs: 1R2T)

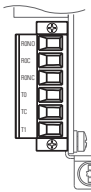
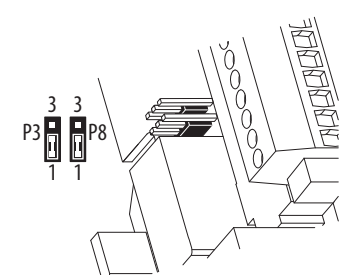
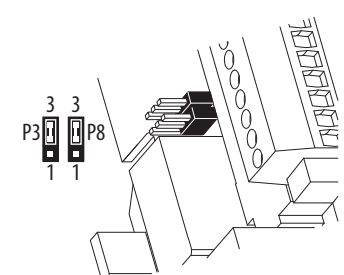
Relay Out	Terminal	Name	Description	Related Parameter
	RONO	Relay 0 N.O.	Relay normally open contact output: 240V AC, 24V DC, 3.5 A max General-purpose (inductive)/resistive	10, 100, 101, 105, 106 On port X
	ROC	Relay 0 common		
	RONC	Relay 0 N.C.		
	T0	Transistor output 0	Transistor output Rating: 24V DC = 1 A max including U.L. applications Resistive	20 On port X
	TC	Transistor output common		
	T1	Transistor output 1		30 On port X

Table 79 - 24V DC Power Supply Source for Digital Inputs Jumpers

Internal	External
	

IMPORTANT: 24V DC supply is only used with modules 20-750-1132C-2R and 20-750-1133C-1R2T.

11-Series I/O with ATEX Option Module

The 11-Series I/O option module can be used with the ATEX option module, catalog number 20-750-ATEX. For detailed information on installation of 11-Series I/O with the ATEX option module, see the PowerFlex 750-Series ATEX User Manual, publication [750-UM003](#).



ATTENTION: You cannot use the ATEX card with the 11-series I/O card in port 7 when used in an Integrated Motion on EtherNet/IP application.

11-Series I/O Option Module Wiring Examples

This section provides examples for how to wire the 11-Series I/O option module.

Table 80 - 11-Series I/O Option Module TB1 Wiring Examples

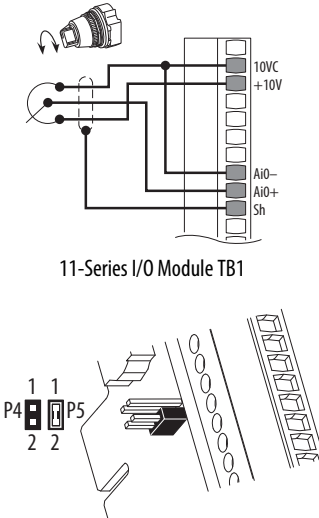
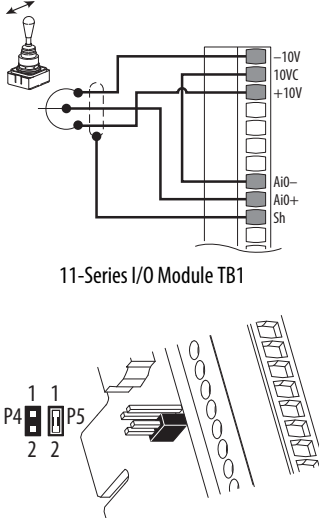
Input/Output	Connection Example	Required Parameter Changes
<p>Potentiometer Unipolar Speed Reference 10 kΩ Pot. Recommended (2 kΩ Minimum)</p>	 <p>11-Series I/O Module TB1</p>	<ul style="list-style-type: none"> Set direction mode Port 0: P308 [Direction Mode] = 0 "Unipolar" Set selection Port 0: P545 [Spd Ref A Sel] = Port X (11-Series I/O Module): P50 [Anlg In0 Value] Adjust scaling Port X (11-Series I/O Module): P51 [Anlg In0 Hi] = 10V Port X (11-Series I/O Module): P52 [Anlg In0 Lo] = 0V Port 0: P547 [Spd Ref A AnlgHi] = 60 Hz Port 0: P548 [Spd Ref A AnlgLo] = 0 Hz View results Port X (11-Series I/O Module): P50 [Anlg In0 Value] Port 0: P592 [Selected Spd Ref]
<p>Joystick Bipolar Speed Reference $\pm 10V$ Input</p>	 <p>11-Series I/O Module TB1</p>	<ul style="list-style-type: none"> Set direction mode Port 0: P308 [Direction Mode] = 1 "Bipolar" Set selection Port 0: P545 [Spd Ref A Sel] = Port X (11-Series I/O Module): P50 [Anlg In0 Value] Adjust scaling Port X (11-Series I/O Module): P51 [Anlg In0 Hi] = +10V Port X (11-Series I/O Module): P52 [Anlg In0 Lo] = -10V Port 0: P547 [Spd Ref A AnlgHi] = +60 Hz Port 0: P548 [Spd Ref A AnlgLo] = -60 Hz View results Port X (11-Series I/O Module): P50 [Anlg In0 Value] Port 0: P592 [Selected Spd Ref]

Table 80 - 11-Series I/O Option Module TB1 Wiring Examples (Continued)

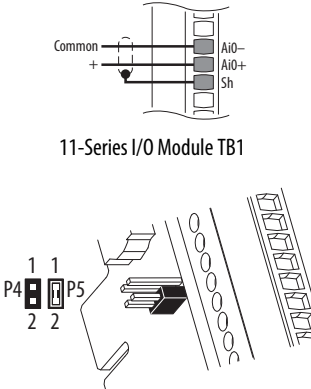
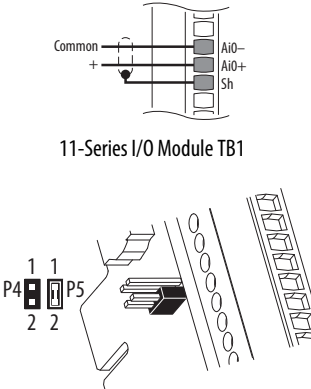
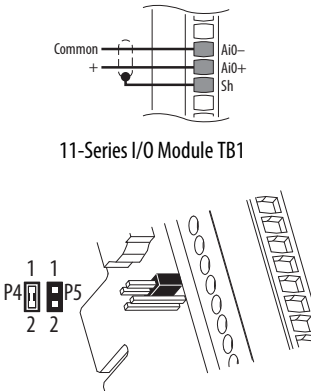
Input/Output	Connection Example	Required Parameter Changes
<p>Analog Input Bipolar Speed Reference ±10V Input</p>	 <p>11-Series I/O Module TB1</p>	<ul style="list-style-type: none"> • Set direction mode Port 0: P308 [Direction Mode] = 1 “Bipolar” • Set selection Port 0: P545 [Spd Ref A Sel] = Port X (11-Series I/O Module): P50 [Anlg In0 Value] • Adjust scaling Port X (11-Series I/O Module): P51 [Anlg In0 Hi] = +10V Port X (11-Series I/O Module): P52 [Anlg In0 Lo] = -10V Port 0: P547 [Spd Ref A AnlgHi] = +60 Hz Port 0: P548 [Spd Ref A AnlgLo] = -60 Hz • View results Port X (11-Series I/O Module): P50 [Anlg In0 Value] Port 0: P592 [Selected Spd Ref]
<p>Analog Voltage Input Unipolar Speed Reference 0...+10V Input</p>	 <p>11-Series I/O Module TB1</p>	<ul style="list-style-type: none"> • Set direction mode Port 0: P308 [Direction Mode] = 0 “Unipolar” • Set selection Port 0: P545 [Spd Ref A Sel] = Port X (11-Series I/O Module): P50 [Anlg In0 Value] • Adjust scaling Port X (11-Series I/O Module): P51 [Anlg In1 Hi] = 10V Port X (11-Series I/O Module): P52 [Anlg In1 Lo] = 0V Port 0: P547 [Spd Ref A AnlgHi] = 60 Hz Port 0: P548 [Spd Ref A AnlgLo] = 0 Hz • View results Port X (11-Series I/O Module): P50 [Anlg In0 Value] Port 0: P592 [Selected Spd Ref]
<p>Analog Current Input Unipolar Speed Reference 0...20 mA Input</p>	 <p>11-Series I/O Module TB1</p>	<ul style="list-style-type: none"> • Set direction mode Port 0: P308 [Direction Mode] = 0 “Unipolar” • Set selection Port 0: P545 [Spd Ref A Sel] = Port X (11-Series I/O Module): P50 [Anlg In0 Value] • Adjust scaling Port X (11-Series I/O Module): P51 [Anlg In0 Hi] = 20 mA Port X (11-Series I/O Module): P52 [Anlg In0 Lo] = 0 mA or 4 mA Port 0: P547 [Spd Ref A AnlgHi] = 60 Hz Port 0: P548 [Spd Ref A AnlgLo] = 0 Hz • View results Port X (11-Series I/O Module): P50 [Anlg In0 Value] Port 0: P592 [Selected Spd Ref]

Table 80 - 11-Series I/O Option Module TB1 Wiring Examples (Continued)

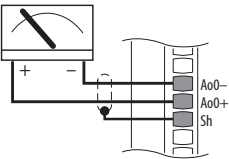
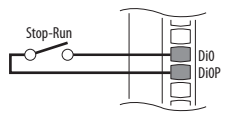
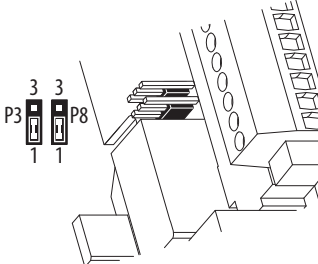
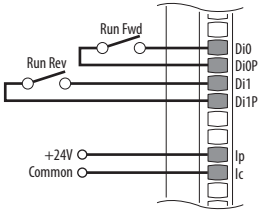
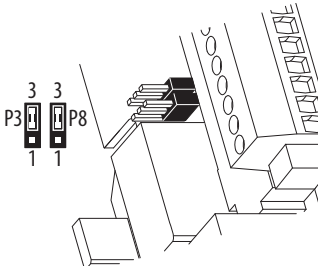
Input/Output	Connection Example	Required Parameter Changes
Analog Voltage Output $\pm 10V$, 0...20 mA Bipolar +10V Unipolar	 <p>11-Series I/O Module TB1</p>	<ul style="list-style-type: none"> • Configuration Port X (11-Series I/O Module): P70 [Anlg Out Type], bit 0 = 0 • Set selection Port X (11-Series I/O Module): P75 [Anlg Out0 Sel] = Port 0: P3 [Mtr Vel Fdbk] • Adjust scaling Port X (11-Series I/O Module): P78 [Anlg Out0 DataHi] = 60 Hz Port X (11-Series I/O Module): P79 [Anlg Out0 DataLo] = 0 Hz Port X (11-Series I/O Module): P80 [Anlg Out0 Hi] = 10V/20 mA Port X (11-Series I/O Module): P81 [Anlg Out0 Lo] = 0V/0 mA • View results Port X (11-Series I/O Module): P77 [Anlg Out0 Data] Port X (11-Series I/O Module): P82 [Anlg Out0 Val]
2-Wire Control Non-reversing 24V DC internal supply	 <p>11-Series I/O Module TB1</p> 	<ul style="list-style-type: none"> • Set direction mode Port 0: P308 [Direction Mode] = 2 "Rev Disable" • Set selection Port 0: P163 [DI Run] = Port X (11-Series I/O Module): P1 [Dig In Sts], bit 0 = Input 0 • View results Port X (11-Series I/O Module): P1 [Dig In Sts] Port 0: P935 [Drive Status 1]
2-Wire Control Reversing External 24V supply 20-750-1132C-2R 20-750-1133C-1R2T	 <p>11-Series I/O Module TB1</p> 	<ul style="list-style-type: none"> • Set direction mode Port 0: P308 [Direction Mode] = 0 "Unipolar" • Set selection Port 0: P164 [DI Run Forward] = Port X (11-Series I/O Module): P1 [Dig In Sts], bit 0 = Input 0 Port 0: P165 [DI Run Reverse] = Port X (11-Series I/O Module): P1 [Dig In Sts], bit 1 = Input 1 • View results Port X (11-Series I/O Module): P1 [Dig In Sts] Port 0: P935 [Drive Status 1]

Table 80 - 11-Series I/O Option Module TB1 Wiring Examples (Continued)

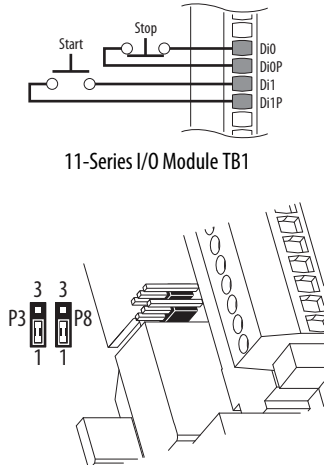
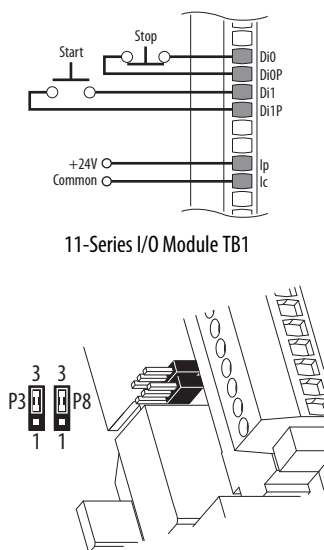
Input/Output	Connection Example	Required Parameter Changes
<p>3-Wire Control Internal supply</p>	 <p>11-Series I/O Module TB1</p>	<ul style="list-style-type: none"> • Set selection Port 0: P158 [DI Stop] = Port X (11-Series I/O Module): P1 [Dig In Sts], bit 0 = Input 0 Port 0: P161 [DI Start] = Port X (11-Series I/O Module): P1 [Dig In Sts], bit 1 = Input 1 • View results Port X (11-Series I/O Module): P1 [Dig In Sts] Port 0: P935 [Drive Status 1]
<p>3-Wire Control External 24V supply 20-750-1132C-2R 20-750-1133C-1R2T</p>	 <p>11-Series I/O Module TB1</p>	<ul style="list-style-type: none"> • Set selection Port 0: P158 [DI Stop] = Port X (11-Series I/O Module): P1 [Dig In Sts], bit 0 = Input 0 Port 0: P161 [DI Start] = Port X (11-Series I/O Module): P1 [Dig In Sts], bit 1 = Input 1 • View results Port X (11-Series I/O Module): P1 [Dig In Sts] Port 0: P935 [Drive Status 1]

Table 80 - 11-Series I/O Option Module TB1 Wiring Examples (Continued)

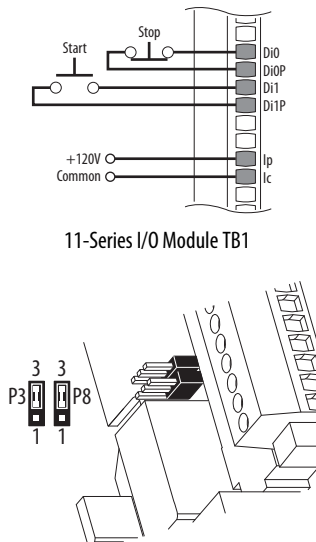
Input/Output	Connection Example	Required Parameter Changes
3-Wire Control External 120V supply 20-750-1132D-2R	 <p style="text-align: center;">11-Series I/O Module TB1</p>	<ul style="list-style-type: none"> • Set selection Port 0: P158 [DI Stop] = Port X (11-Series I/O Module): P1 [Dig In Sts], bit 0 = Input 0 Port 0: P161 [DI Start] = Port X (11-Series I/O Module): P1 [Dig In Sts], bit 1 = Input 1 • View results Port X (11-Series I/O Module): P1 [Dig In Sts] Port 0: P935 [Drive Status 1]

Table 80 - 11-Series I/O Option Module TB1 Wiring Examples (Continued)

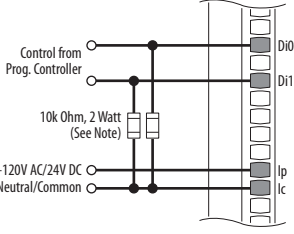
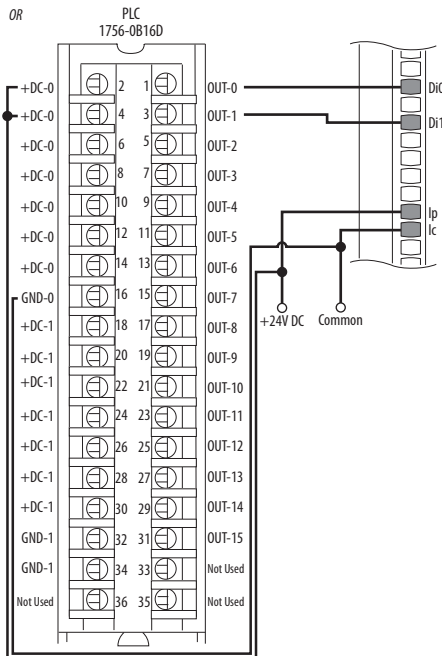
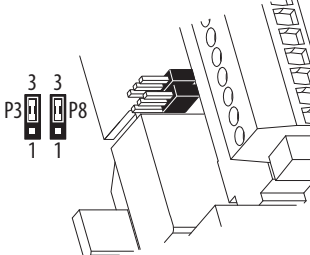
Input/Output	Connection Example	Required Parameter Changes
<p>Digital Input PLC Output Module External supply</p>	 <p>11-Series I/O Module TB1</p>	<ul style="list-style-type: none"> Set selection Port 0: P158 [DI Stop] = Port X (11-Series I/O Module): P1 [Dig In Sts], bit 0 = Input 0 Port 0: P161 [DI Start] = Port X (11-Series I/O Module): P1 [Dig In Sts], bit 1 = Input 1 View results Port X (11-Series I/O Module): P1 [Dig In Sts] Port 0: P935 [Drive Status 1] <p>IMPORTANT: Pull-down resistors can be required by some PLC interfaces.</p>
<p>OR</p>	 <p>PLC TB 1756-0B16D</p> <p>11-Series I/O Module TB</p>	
		

Table 80 - 11-Series I/O Option Module TB1 Wiring Examples (Continued)

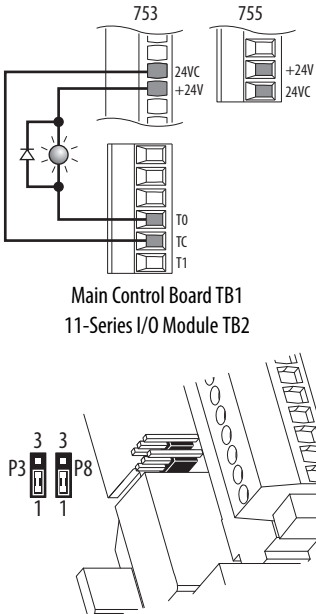
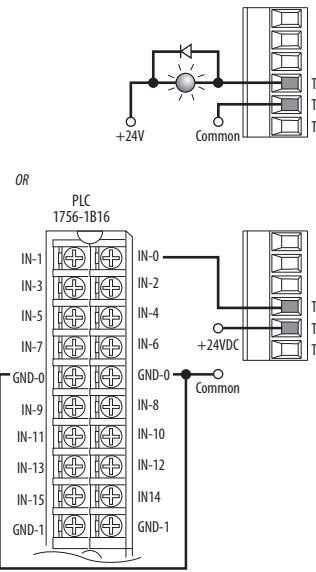
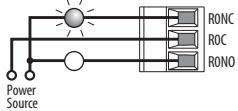
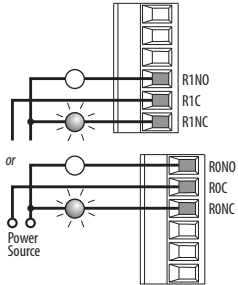
Input/Output	Connection Example	Required Parameter Changes
<p>Digital Output Internal supply 20-750-1133C-1R2T</p>	 <p>Main Control Board TB1 11-Series I/O Module TB2</p>	<ul style="list-style-type: none"> Set selection Port X (11-Series I/O Module): P20 [T00 Sel] = Port 0: P935 [Drive Status 1], bit 7 = Faulted View results Port X (11-Series I/O Module): P5 [Dig Out Sts]
<p>Digital Output External supply 20-750-1133C-1R2T</p>	 <p>OR</p> <p>PLC 1756-1B16</p> <p>PLC TB11-Series I/O Module TB2</p>	<ul style="list-style-type: none"> Set selection Port X (11-Series I/O Module): P20 [T00 Sel] = Port 0: P935 [Drive Status 1], bit 7 = Faulted View results Port X (11-Series I/O Module): P5 [Dig Out Sts]

Table 81 - 11-Series I/O Option Module Relay Wiring Examples

Input/Output	Connection Example	Required Parameter Changes
Relay Output External supply	753 Main Control Board 	<ul style="list-style-type: none"> Set selection Port 0: P230 [R00 Sel] = Port 0: P935 [Drive Status 1], bit 7 = Faulted View results Port 0: P225 [Dig Out Sts]
	11-Series I/O Module 	<ul style="list-style-type: none"> Set selection Port X (11-Series I/O Module): P10 [R00 Sel] = Port 0: P935 [Drive Status 1], bit 7 = Faulted View results Port X (11-Series I/O Module): P5 [Dig Out Sts]

22-Series I/O Option Module

This section provides details for the 22-Series I/O option module.



ATTENTION: When used in an Integrated Motion on EtherNet/IP networks application for Firmware, versions 12 and later, the 22-series I/O module must be installed only in port 7.

Table 82 - Input Mode Jumpers

Jumper Position	Voltage Mode	Current Mode

20-750-2262C-2R (24 Volts DC)
 20-750-2263C-1R2T (24 Volts DC)
 20-750-2262D-2R (120 Volts AC)

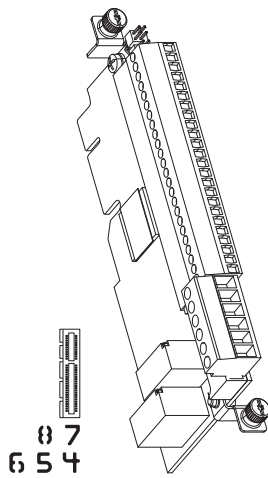
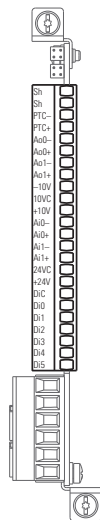


Table 83 - TB1 Terminal Designations

Terminal	Name	Description	Related Parameter ⁽⁵⁾
Sh	Shield	Terminating point for wire shields when an EMC plate or conduit box is not installed.	
Sh			
Ptc-	Motor PTC (-)	Motor protection device (Positive Temperature Coefficient). ⁽²⁾	40 On port X
Ptc+	Motor PTC (+)		
Ao0-	Analog out 0 (-)	Bipolar, $\pm 10V$, 11 bit and sign, 2 k Ω minimum load. 4...20 mA, 11 bit and sign, 400 Ω maximum load.	75 On port X
Ao0+	Analog out 0 (+)		
Ao1-	Analog Out 1 (-)		
Ao1+	Analog Out 1 (+)		
-10V	-10V reference	2k Ω minimum.	
10VC	10V common	For (-) and (+) 10V references.	
+10V	+10V reference	2k Ω minimum.	
Ai0-	Analog input 0 (-)	Isolated ⁽³⁾ , bipolar, differential, 11 bit and sign. Voltage Mode: $\pm 10V$ at 88k Ω input impedance. Current Mode: 0...20 mA at 93 Ω input impedance.	50, 70 On port X
Ai0+	Analog input 0 (+)		
Ai1-	Analog Input 1 (-)		60, 70 On port X
Ai1+	Analog Input 1 (+)		
24VC	24V common	Drive supplied logic input power. 200 mA max per I/O module 600 mA max per drive	
+24V	+24V DC		
Di C	Digital input common	Common for Digital inputs 0...5	
Di 0	Digital input 0 ⁽¹⁾	24V DC (30V DC max) – Opto isolated High state: 20...24V DC 11.2 mA DC Low state: 0...5V DC 120V AC (132V AC max) 50/60 Hz ⁽⁴⁾ – Opto isolated High state: 100...132V AC Low state: 0...30V AC	1 On port X
Di 1	Digital input 1 ⁽¹⁾		
Di 2	Digital input 2 ⁽¹⁾		
Di 3	Digital input 3 ⁽¹⁾		
Di 4	Digital input 4 ⁽¹⁾		
Di 5	Digital input 5 ⁽¹⁾		



- (1) Digital Inputs are either 24V DC (2262C) or 115V AC (2262D) based on module catalog number. Verify applied voltage is correct for I/O module.
- (2) See HW Input PTC on [page 274](#) for PTC data.
- (3) Differential Isolation – External source must be maintained at less than 160V with respect to PE. Input provides high common mode immunity.
- (4) For CE compliance use shielded cable. Do not exceed cable length of 30 m (98.4 ft).
- (5) I/O Module parameters also have a port designation.



ATTENTION: Risk of equipment damage exists. Verify that the correct voltage is applied to the I/O Module digital inputs. See the I/O Module catalog number to determine the voltage rating.

- 20-750-2262C-2R is rated 24V DC
- 20-750-2263C-1R2T is rated 24V DC
- 20-750-2262D-2R is rated 120V AC

Table 84 - TB2 Terminal Designations (Two Relay Outputs: 2R)

Relay Out	Terminal	Name	Description	Related Parameter
	R0NO	Relay 0 N.O.	Relay normally open contact output: 240V AC, 24V DC, 2 A max General-purpose (inductive)/resistive	10, 100, 101, 105, 106 On port X
	R0C	Relay 0 Common		
	R0NC	Relay 0 N.C.		
	R1NO	Relay 1 N.O.	Relay normally closed contact output: 240V AC, 24V DC, 2 A max Only resistive	20, 110, 111, 115, 116 On port X
	R1C	Relay 1 Common		
	R1NC	Relay 1 N.C.		

Table 85 - TB2 Terminal Designations (One Relay and Two Transistor Outputs: 1R2T)

Relay Out	Terminal	Name	Description	Related Parameter
	R0NO	Relay 0 N.O.	Relay normally open contact output: 240V AC, 24V DC, 2 A max General-purpose (inductive)/resistive	10, 100, 101, 105, 106 On port X
	R0C	Relay 0 Common		
	R0NC	Relay 0 N.C.		
	T0	Transistor output 0	Transistor output Rating: 24V DC = 1 A max 24V DC = 0.4 A Max for U.L. applications Resistive	20 On port X
	TC	Transistor output common		
	T1	Transistor output 1		

22-Series I/O Option Module Wiring Examples

This section provides examples for how to wire the 22-Series I/O option module.

Table 86 - 22-Series I/O Option Module TB1 Wiring Examples

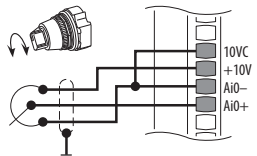
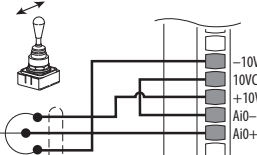
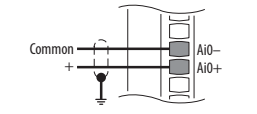
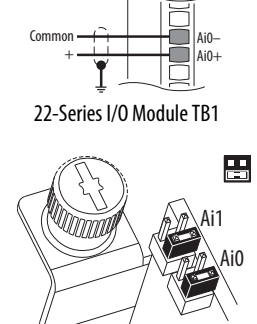
Input/Output	Connection Example	Required Parameter Changes
<p>Potentiometer Unipolar Speed Reference 10 kΩ Pot. Recommended (2 kΩ Minimum)</p>	 <p>22-Series I/O Module TB1</p>	<ul style="list-style-type: none"> • Set direction mode Port 0: P308 [Direction Mode] = 0 "Unipolar" • Set selection Port 0: P545 [Spd Ref A Sel] = Port X (22-Series I/O Module): P50 [Anlg In0 Value] • Adjust scaling Port X (22-Series I/O Module): P51 [Anlg In0 Hi] = 10V Port X (22-Series I/O Module): P52 [Anlg In0 Lo] = 0V Port 0: P547 [Spd Ref A AnlgHi] = 60 Hz Port 0: P548 [Spd Ref A AnlgLo] = 0 Hz • View results Port X (22-Series I/O Module): P50 [Anlg In0 Value] Port 0: P592 [Selected Spd Ref]
<p>Joystick Bipolar Speed Reference ±10V Input</p>	 <p>22-Series I/O Module TB1</p>	<ul style="list-style-type: none"> • Set direction mode Port 0: P308 [Direction Mode] = 1 "Bipolar" • Set selection Port 0: P545 [Spd Ref A Sel] = Port X (22-Series I/O Module): P50 [Anlg In0 Value] • Adjust scaling Port X (22-Series I/O Module): P51 [Anlg In0 Hi] = +10V Port X (22-Series I/O Module): P52 [Anlg In0 Lo] = -10V Port 0: P547 [Spd Ref A AnlgHi] = +60 Hz Port 0: P548 [Spd Ref A AnlgLo] = -60 Hz • View results Port X (22-Series I/O Module): P50 [Anlg In0 Value] Port 0: P592 [Selected Spd Ref]
<p>Analog Input Bipolar Speed Reference ±10V Input</p>	 <p>22-Series I/O Module TB1</p>	<ul style="list-style-type: none"> • Set direction mode Port 0: P308 [Direction Mode] = 1 "Bipolar" • Set selection Port 0: P545 [Spd Ref A Sel] = Port X (22-Series I/O Module): P50 [Anlg In0 Value] • Adjust scaling Port X (22-Series I/O Module): P51 [Anlg In0 Hi] = +10V Port X (22-Series I/O Module): P52 [Anlg In0 Lo] = -10V Port 0: P547 [Spd Ref A AnlgHi] = +60 Hz Port 0: P548 [Spd Ref A AnlgLo] = -60 Hz • View results Port X (22-Series I/O Module): P50 [Anlg In0 Value] Port 0: P592 [Selected Spd Ref]
<p>Analog Voltage Input Unipolar Speed Reference 0...+10V Input</p>	 <p>22-Series I/O Module TB1</p>	<ul style="list-style-type: none"> • Set direction mode Port 0: P308 [Direction Mode] = 0 "Unipolar" • Set selection Port 0: P545 [Spd Ref A Sel] = Port X (22-Series I/O Module): P50 [Anlg In0 Value] • Adjust scaling Port X (22-Series I/O Module): P51 [Anlg In1 Hi] = 10V Port X (22-Series I/O Module): P52 [Anlg In1 Lo] = 0V Port 0: P547 [Spd Ref A AnlgHi] = 60 Hz Port 0: P548 [Spd Ref A AnlgLo] = 0 Hz • View results Port X (22-Series I/O Module): P50 [Anlg In0 Value] Port 0: P592 [Selected Spd Ref]

Table 86 - 22-Series I/O Option Module TB1 Wiring Examples (Continued)

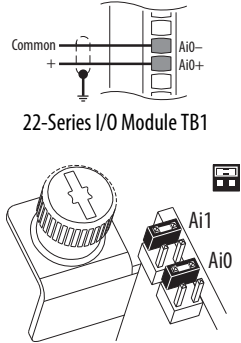
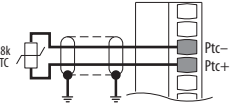

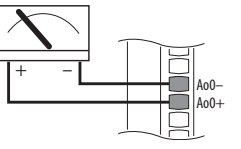
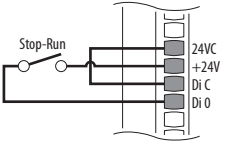
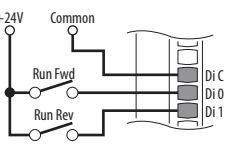
Input/Output	Connection Example	Required Parameter Changes
<p>Analog Current Input Unipolar Speed Reference 0...20 mA Input</p>	 <p>22-Series I/O Module TB1</p>	<ul style="list-style-type: none"> Set direction mode Port 0: P308 [Direction Mode] = 0 "Unipolar" Set selection Port 0: P545 [Spd Ref A Sel] = Port X (22-Series I/O Module): P50 [Anlg In0 Value] Adjust scaling Port X (22-Series I/O Module): P51 [Anlg In0 Hi] = 20 mA Port X (22-Series I/O Module): P52 [Anlg In0 Lo] = 0 mA Port 0: P547 [Spd Ref A AnlgHi] = 60 Hz Port 0: P548 [Spd Ref A AnlgLo] = 0 Hz View results Port X (22-Series I/O Module): P50 [Anlg In0 Value] Port 0: P592 [Selected Spd Ref]
<p>HW Input PTC Standard = DIN 44082 PTC Nominal = 1.8 kΩ PTC Trip = 3.1 kΩ PTC Reset = 2.2 kΩ Short Circuit Trip = 80 Ω</p>	 <p>22-Series I/O Module TB1</p>	<ul style="list-style-type: none"> Configuration Port X (22-Series I/O Module): P40 [PTC Cfg] = 0 "Ignore," 1 "Alarm," 2 "Fit Minor," 3 "Fit CoastStop," 4 "Fit RampStop," or 5 "Fit CL Stop" View results Port X (22-Series I/O Module): P41 [PTC Sts] Port X (22-Series I/O Module): P42 [PTC Raw Value]
 <p>ATTENTION: To avoid an electric shock hazard, the connection of the motor temperature sensor requires double or reinforced insulation between motor live parts and the PTC.</p>		
<p>Analog Voltage Output ±10V, 0...20 mA Bipolar +10V Unipolar</p>	 <p>22-Series I/O Module TB1</p>	<ul style="list-style-type: none"> Configuration Port X (22-Series I/O Module): P70 [Anlg Out Type], bit 0 = 0 Set selection Port X (22-Series I/O Module): P75 [Anlg Out0 Sel] = Port 0: P3 [Mtr Vel Fdbk] Adjust scaling Port X (22-Series I/O Module): P78 [Anlg Out0 DataHi] = 60 Hz Port X (22-Series I/O Module): P79 [Anlg Out0 DataLo] = 0 Hz Port X (22-Series I/O Module): P80 [Anlg Out0 Hi] = 10V/20 mA Port X (22-Series I/O Module): P81 [Anlg Out0 Lo] = 0V/0 mA View results Port X (22-Series I/O Module): P77 [Anlg Out0 Data] Port X (22-Series I/O Module): P82 [Anlg Out0 Val]
<p>2-Wire Control Non-reversing 24V DC internal supply</p>	 <p>22-Series I/O Module TB1</p>	<ul style="list-style-type: none"> Set direction mode Port 0: P308 [Direction Mode] = 2 "Rev Disable" Set selection Port 0: P163 [DI Run] = Port X (22-Series I/O Module): P1 [Dig In Sts], bit 0 = Input 0 View results Port X (22-Series I/O Module): P1 [Dig In Sts] Port 0: P935 [Drive Status 1]
<p>2-Wire Control Reversing External 24V supply 20-750-2262C-2R 20-750-2263C-1R2T</p>	 <p>22-Series I/O Module TB1</p>	<ul style="list-style-type: none"> Set direction mode Port 0: P308 [Direction Mode] = 0 "Unipolar" Set selection Port 0: P164 [DI Run Forward] = Port X (22-Series I/O Module): P1 [Dig In Sts], bit 0 = Input 0 Port 0: P165 [DI Run Reverse] = Port X (22-Series I/O Module): P1 [Dig In Sts], bit 1 = Input 1 View results Port X (22-Series I/O Module): P1 [Dig In Sts] Port 0: P935 [Drive Status 1]

Table 86 - 22-Series I/O Option Module TB1 Wiring Examples (Continued)

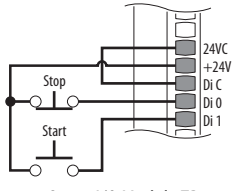
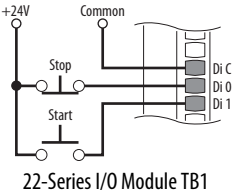
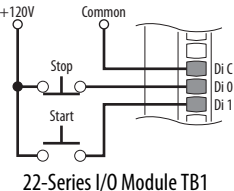
Input/Output	Connection Example	Required Parameter Changes
3-Wire Control Internal supply	 <p style="text-align: center;">22-Series I/O Module TB1</p>	<ul style="list-style-type: none"> • Set selection Port 0: P158 [DI Stop] = Port X (22-Series I/O Module): P1 [Dig In Sts], bit 0 = Input 0 Port 0: P161 [DI Start] = Port X (22-Series I/O Module): P1 [Dig In Sts], bit 1 = Input 1 • View results Port X (22-Series I/O Module): P1 [Dig In Sts] Port 0: P935 [Drive Status 1]
3-Wire Control External 24V supply 20-750-2262C-2R 20-750-2263C-1R2T	 <p style="text-align: center;">22-Series I/O Module TB1</p>	<ul style="list-style-type: none"> • Set selection Port 0: P158 [DI Stop] = Port X (22-Series I/O Module): P1 [Dig In Sts], bit 0 = Input 0 Port 0: P161 [DI Start] = Port X (22-Series I/O Module): P1 [Dig In Sts], bit 1 = Input 1 • View results Port X (22-Series I/O Module): P1 [Dig In Sts] Port 0: P935 [Drive Status 1]
3-Wire Control External 120V supply 20-750-2262D-2R	 <p style="text-align: center;">22-Series I/O Module TB1</p>	<ul style="list-style-type: none"> • Set selection Port 0: P158 [DI Stop] = Port X (22-Series I/O Module): P1 [Dig In Sts], bit 0 = Input 0 Port 0: P161 [DI Start] = Port X (22-Series I/O Module): P1 [Dig In Sts], bit 1 = Input 1 • View results Port X (22-Series I/O Module): P1 [Dig In Sts] Port 0: P935 [Drive Status 1]

Table 86 - 22-Series I/O Option Module TB1 Wiring Examples (Continued)

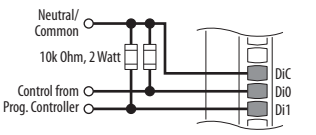
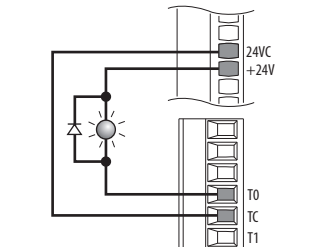
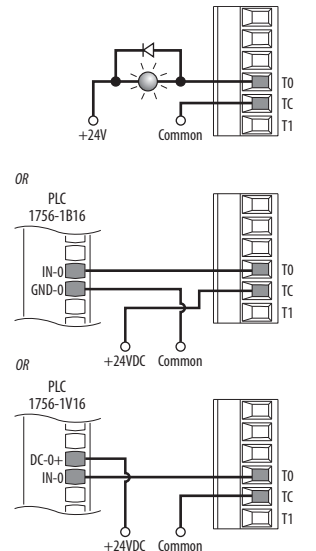
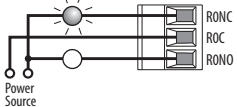
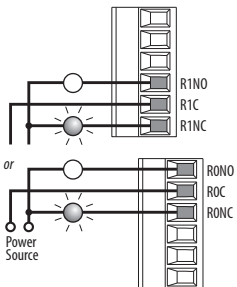
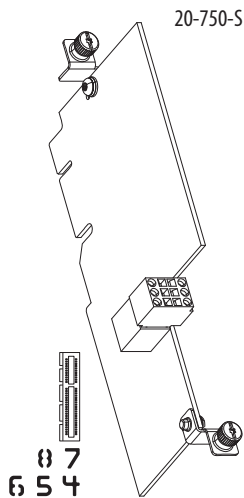
Input/Output	Connection Example	Required Parameter Changes
<p>Digital Input PLC Output Module</p>	 <p>22-Series I/O Module TB1</p>	<ul style="list-style-type: none"> Set selection Port 0: P158 [DI Stop] = Port X (22-Series I/O Module): P1 [Dig In Sts], bit 0 = Input 0 Port 0: P161 [DI Start] = Port X (22-Series I/O Module): P1 [Dig In Sts], bit 1 = Input 1 View results Port X (22-Series I/O Module): P1 [Dig In Sts] Port 0: P935 [Drive Status 1]
<p>Digital Output Internal supply 20-750-2263C-1R2T</p>	 <p>22-Series I/O Module TB1 22-Series I/O Module TB2</p>	<ul style="list-style-type: none"> Set selection Port X (22-Series I/O Module): P20 [T00 Sel] = Port 0: P935 [Drive Status 1], bit 7 = Faulted View results Port X (22-Series I/O Module): P5 [Dig Out Sts]
<p>Digital Output External supply 20-750-2263C-1R2T</p>	 <p>PLC TB 22-Series I/O Module TB2</p>	

Table 87 - 22-Series I/O Option Module Relay Wiring Examples

Input/Output	Connection Example	Required Parameter Changes
Relay Output External supply	753 Main Control Board 	<ul style="list-style-type: none"> Set selection Port 0: P230 [R00 Sel] = Port 0: P935 [Drive Status 1], bit 7 = Faulted View results Port 0: P225 [Dig Out Sts]
	22-Series I/O Module 	<ul style="list-style-type: none"> Set selection Port X (22-Series I/O Module): P10 [R00 Sel] = Port 0: P935 [Drive Status 1], bit 7 = Faulted View results Port X (22-Series I/O Module): P5 [Dig Out Sts]

Safe Torque Off Option Module



The Safe Torque Off option module is just one component in a safety control system. Components in the system must be chosen and applied appropriately to achieve the desired level of operational safety. For detailed information on this option, see the PowerFlex 750-Series Safe Torque Off User Manual, publication [750-UM002](#).

Table 88 - TB2 Terminal Designations

	Terminal	Name	Description
	SP+	+24V safety power	User-supplied power: 24V ±10% 45 mA typical
	SP-	Safety power common	
	SE+	+24V safety enable	User-supplied power: 24V ±10% 25 mA typical
	SE-	Safety enable common	
	Sd	Shield	Terminating point for wire shields when an EMC plate or conduit box is not installed.
Sd	Shield		

Safety Input	Connection Example
Power Supply	<p>IMPORTANT: Only break the 24V DC user-supplied power that powers the option module. Do not remove the line voltage from the 24V DC power supply.</p>

Important Safe Torque Off Option Module Installation Guidelines

Follow these guidelines for the Safe Torque Off option module.

Cabling

Follow these guidelines for cabling:

- Safety input wiring must be protected against external damage by cable ducts, conduit, armored cable, or other means.
- Shielded cable is required.

Power Supply Requirements

Follow these guidelines for power supply requirements:

- The external power supply must conform to the Directive 2006/95/EC Low Voltage, by applying the requirements of EN 61131-2 Programmable Controllers, Part 2 – Equipment Requirements and Tests and one of the following:
 - EN 60950 – SELV (safety extra low voltage)
 - EN 60204 – PELV (protective extra low voltage)
 - IEC 60536 Safety Class III (SELV or PELV)

- UL 508 Limited Voltage Circuit
- 24V DC $\pm 10\%$ must be supplied by a power supply that complies with
- IEC/EN 60204 and IEC/EN 61558-1.
- To plan the power supply requirements, see the guidelines in Industrial Automation Wiring and Grounding Guidelines, publication [1770-4.1](#).

Port Assignment

Follow these guidelines for port assignments:

- When used in an Integrated Motion application, the Safe Torque Off option must be installed in port 6.
- Only one safety option module can be installed at a time. Multiple safety options or duplicate safety option installations are not supported.

Jumper Settings

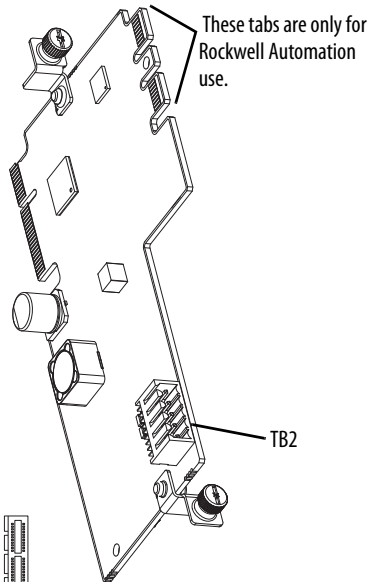
Follow these guidelines for jumper settings:

- Verify the hardware enable jumper (ENABLE) on the main control board is installed. See [page 243](#) for location. If not installed, the drive will fault when powered up.
- Verify the safety enable jumper (SAFETY) on the main control board is removed (Frames 1...7 only). See [page 245](#) for location.

Integrated Safety - Safe Torque Off Option Module

The Integrated Safety - Safe Torque Off option module is just one component in a safety control system. Components in the system must be chosen and applied appropriately to achieve the desired level of operational safety. For detailed information on this option, see the PowerFlex 755 Integrated Safety - Torque Off User Manual, publication [750-UM004](#).

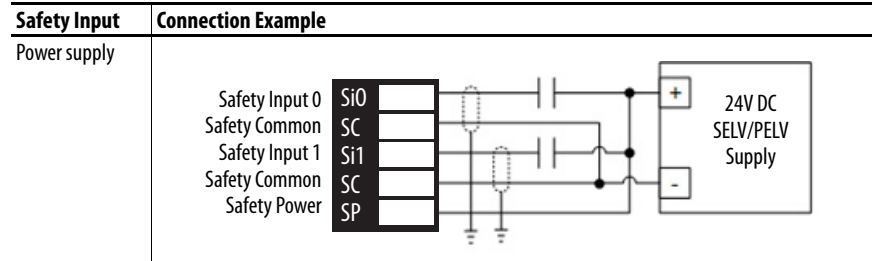
Integrated Safety - Safe Torque Off Option Module
(catalog number 20-750-S3)



6 5 4

Table 89 - TB2 Terminal Designation

Terminal	Name	Description
Si0	Safety input 0	Safety input 0
SC	Safety common	Safety power common
Si1	Safety input 1	Safety input 1
SC	Safety common	Safety power common
SP	Safety power	+24V DC from customer-supplied SELV/PELV safety power



IMPORTANT The National Electrical Code and local electrical codes take precedence over the values and methods provided.

Cabling

- Safety input wiring must be protected against external damage by cable ducts, conduit, armored cable, or other means.
- Shielded cable is required. For proper shield termination, follow the installation requirements that are related to EN 61800-3 and the EMC Directive as described in this publication.

Power Supply Requirements

- The external power supply must conform to the Directive 2006/95/EC Low Voltage, by applying the requirements of EN61131-2 Programmable Controllers, Part 2 - Equipment Requirements and Tests, and one of the following:
 - EN60950 - SELV (Safety Extra Low Voltage)
 - EN60204 - PELV (Protective Extra Low Voltage)
 - IEC 60536 Safety Class III (SELV or PELV)
 - UL 508 Limited Voltage Circuit
 - 24V DC $\pm 10\%$ must be supplied by a power supply that complies with IEC 60204 and IEC 61558-1.
- For more information, see the guidelines in Industrial Automation Wiring and Grounding Guidelines, publication [1770-4.1](#).

Safe Speed Monitor Option Module

The Safe Speed Monitor option module is just one component in a safety control system. Components in the system must be chosen and applied appropriately to achieve the desired level of operational safety. For detailed information on this option, see the Safe Speed Monitor Option Module for PowerFlex 750-Series AC Drives Safety Reference Manual, publication [750-RM001](#).

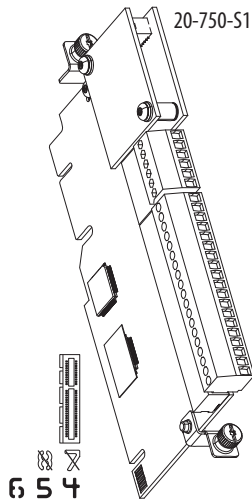
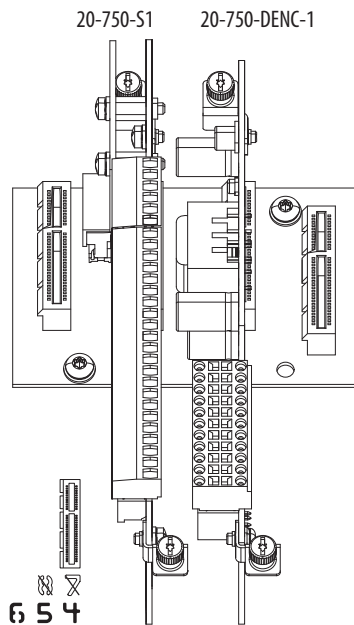


Table 90 - TB1 Terminal Designations

Terminal	Name	Signal Name	Description
S11	Pto0	TEST_OUT_0	Pulse test source for safety inputs.
S11			
S11			
S21	Pto1	TEST_OUT_1	Pulse test source for safety inputs.
S21			
S21			

Table 91 - TB2 Terminal Designations

Terminal	Name	Description	Related Parameter
S34	Res0	Reset	
52	Dco1	Door Control Output. Enables pulse testing.	74
51	Dco0		
78	Slo1	Safe Limited Speed Output. Enables pulse testing.	73
68	Slo0		
44	Sso1	Safe Stop Output. Enables pulse testing.	72
34	Sso0		
X42	Lmi1	Lock Monitoring Input	60
X32	Lmi0		
S42	Dmi1	Door Monitoring Input	58
S32	Dmi0		
S62	Sli1	Safe Limited Speed Input	52
S52	Sli0		
S82	Esm1	Enabling Switch Monitoring Input	54
S72	Esm0		
S22	Ssi1	Safe Stop Input	44
S12	Ssi0		
A2	24VC	Customer supplied 24V DC. Module is not functional without these connections.	
A1	+24V		



Important Safe Speed Monitor Option Module Installation Guidelines

Follow these guidelines for the Safe Speed Monitor option module.

Cabling

Follow these guidelines for cabling:

- Safety input wiring must be protected against external damage by cable ducts, conduit, armored cable, or other means.
- Shielded cable is required.
- When installed in a Frame 8 or larger drive, an EMC Core Kit, catalog number 20-750-EMCSSM1-F8, is required.

Feedback Devices

The Safe Speed Monitor option must be used with one of the following feedback devices:

- Dual Incremental Encoder module, catalog number 20-750-DENC-1
- Universal Feedback module catalog number 20-750-UFB-1

Port Assignment

Follow these guidelines for port assignment:

- The Safe Speed Monitor option and the feedback device must be installed on the same backplane using ports 4, 5, or 6.
- When used in an Integrated Motion application, the Safe Speed Monitor option must be installed in port 6.
- Only one safety option module can be installed at a time. Multiple safety options or duplicate safety option installations are not supported.

Jumper Settings

Follow these guidelines for jumper settings:

- Verify the hardware enable jumper (ENABLE) on the main control board is installed. See [page 243](#) for location. If not installed, the drive will fault when powered up.
- Verify the safety enable jumper (SAFETY) on the main control board is removed (Frames 1...7 only). See [page 245](#) for location.

Parameter Settings

There are required parameter settings when used with the Universal Feedback module:

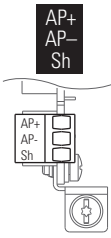
- Set Safe Speed Monitor parameter P28 [Fbk 1 Type] to option 0 "Sine/Cosine."

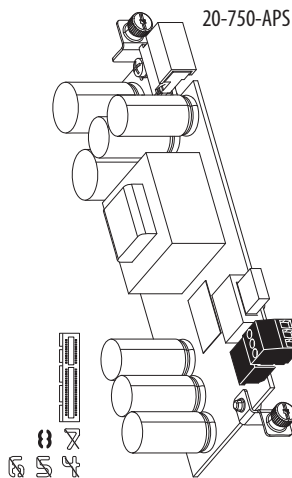
- Set Universal Feedback parameter P6 [FB0 Device Sel] and/or P36 [FB1 Device Sel] to a Sine/Cosine type device.

Auxiliary Power Supply Option Module

This section provides details for the auxiliary power supply option module.

Table 92 - TB1 Terminal Designations

	Terminal	Name	Description
	AP+	+24V Auxiliary Power	Connections for customer supplied power supply: 24V DC $\pm 10\%$, 3 A, PELV (Protective Extra Low Voltage) or SELV (Safety Extra Low Voltage)
	AP-	Auxiliary Power Common	
	Sh	Shield	Terminating point for wire shields when an EMC plate or conduit box is not installed.



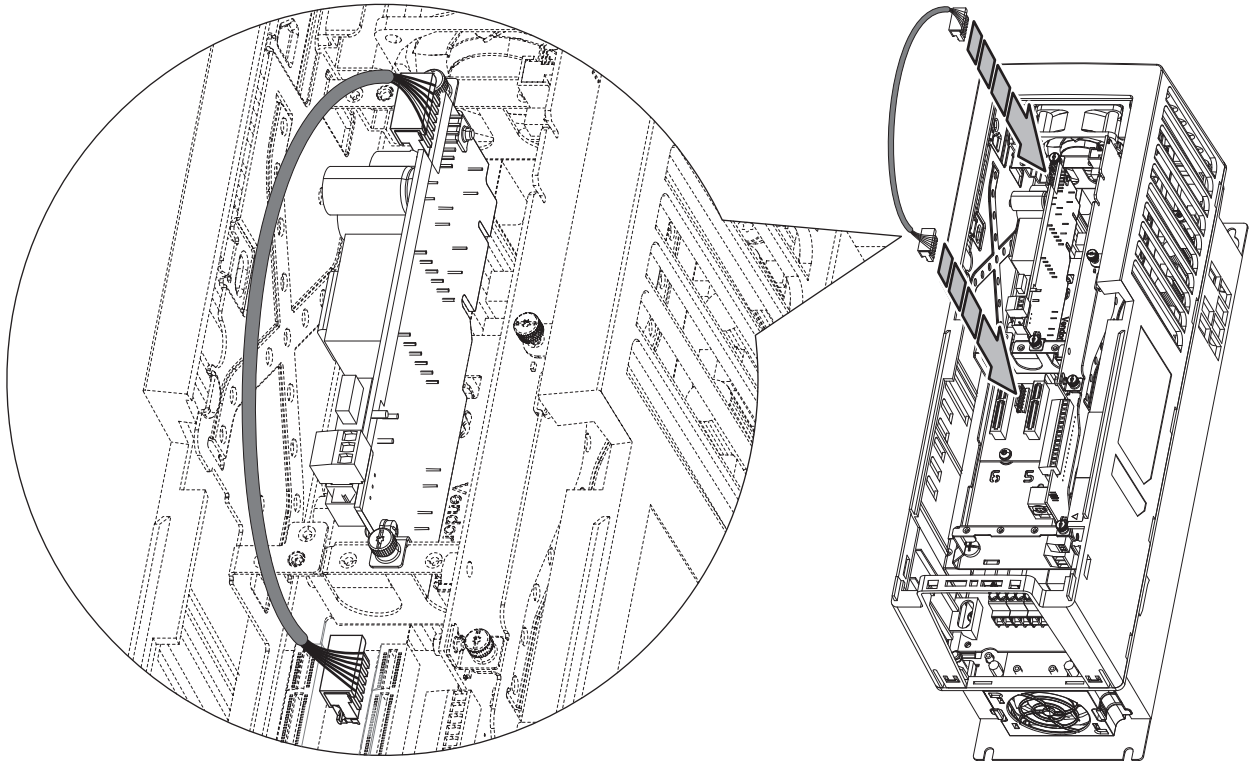
IMPORTANT The auxiliary power supply option module can be installed in any option port. Due to its size, the module extends over and block and adjacent port. Therefore, installation in Port 8 is recommended.

Do not use the auxiliary power supply option module with Frame 8 and larger drives. See [page 246](#) for information on how to connect an external power supply to Frame 8 and larger drives.

A connector cable is provided with auxiliary power supply option modules for use in PowerFlex 753 drives. The cable is used to connect the module to the backplane when installed on the upper control pod brackets.

IMPORTANT The connector cable is used with PowerFlex 755 Frame 1 drives. The cable is not used with PowerFlex 755 Frame 2 and larger drives.

Figure 140 - Auxiliary Power Supply Installation in PowerFlex 753 Drive (All Frames) and PowerFlex 755 (Frame 1 Drives Only)



DeviceNet Option Module

For complete information on the DeviceNet option module, see the PowerFlex 750-Series Drive DeviceNet Option Module User Manual, publication [750COM-UM002](#).

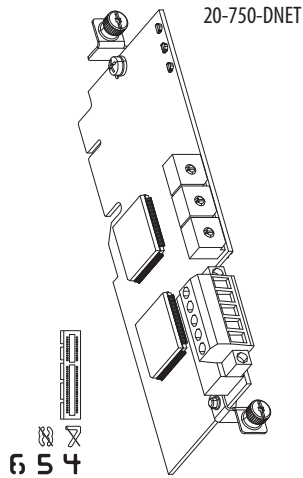


Table 93 - DeviceNet Option Module Status Indicator Indication

Status Indicator	Name	Description
1	PORT	DPI Connection Status
2	MOD	Option Module Status
3	NET A	DeviceNet Status

Table 94 - DeviceNet Option Module Rotary Switches

Switch	Name	Description
1	Data Rate Switch	Sets the DeviceNet data rate at which the option module communicates.
2	Node Address Switches	Sets the node address of the option module.

Table 95 - TB1 Terminal Designations

Terminal	Color	Signal	Function
5	Red	V+	Power Supply
4	White	CAN_H	Signal High
3	Bare	SHIELD	Shield
2	Blue	CAN_L	Signal Low
1	Black	V-	Common

ControlNet Option Module

For complete information on the ControlNet option module, see the PowerFlex 20-750-CNETC Coaxial ControlNet Option Module User Manual, publication [750COM-UM003](#).

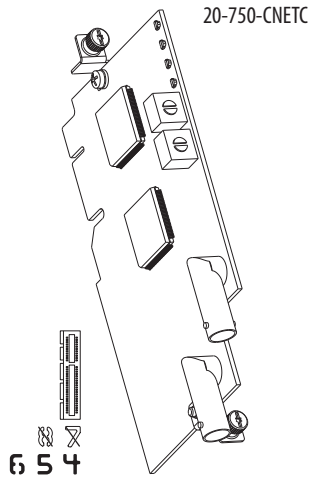


Table 96 - ControlNet Option Module Status Indicator Indication

Status Indicator	Name	Description
1	PORT	DPI Connection Status
2	MOD	Option Module Status
3	NET A	ControlNet Channel A Status
4	NET B	ControlNet Channel B Status

Table 97 - ControlNet Option Module Rotary Switches

Switch	Name	Description
1	TENS Switch	Sets the node address of the option module.
2	ONES Switch	

Table 98 - Coax Receptacles

Receptacle	Name	Description
1	Channel A	Channel A BNC connection to the network.
2	Channel B	Channel B (redundant) BNC connection to the network.

Dual-port EtherNet/IP Option Module

For complete information on the Dual-Port EtherNet/IP option module, see the PowerFlex 20-750-ENETR Dual-port EtherNet/IP Option Module User Manual, publication [750COM-UM008](#).

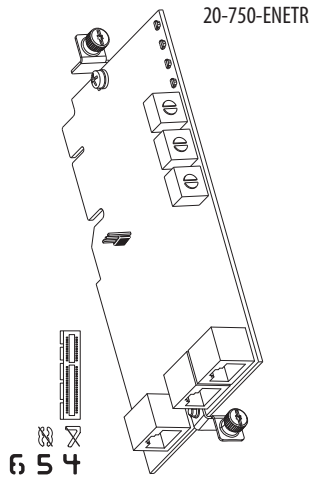


Table 99 - EtherNet/IP Option Module Status Indicator Indication

Status Indicator	Name	Description
1	PORT	DPI Connection Status
2	MOD	Option Module Status
3	NET A	Network Port 1 Status
4	NET B	Network Port 2 Status

Table 100 - EtherNet/IP Option Module Rotary Switches

Switch	Name	Description
1	HUNDREDS Switch	Sets the node address of the option module.
2	TENS Switch	
3	ONES Switch	

Table 101 - J4 Jumper

Adapter Mode	Tap Mode

Table 102 - Ethernet Connectors

Connector	Name	Description
1	ENET1	Ethernet RJ45 connection to the network.
2	ENET2	
3	ENET3 (DEVICE)	Connection for the short Ethernet cable (provided with option module) to the Ethernet port on the PowerFlex 755 drive embedded EtherNet/IP adapter. This connector is used only for integrated motion on the EtherNet/IP network data transfer.

PROFIBUS Option Module

For complete information on the PROFIBUS option module, see the PowerFlex 20-750-PBUS PROFIBUS DPV1 Option Module User Manual, publication [750COM-UM004](#).

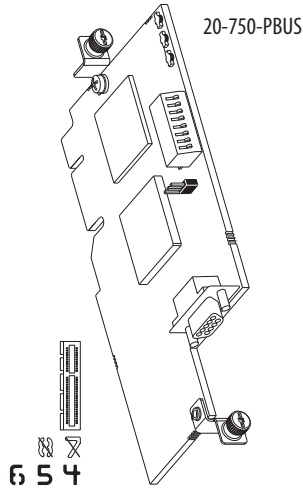


Table 103 - PROFIBUS Option Module Status Indicator Indication

Status Indicator	Name	Description
1	PORT	DPI Connection Status
2	MOD	Option Module Status
3	NET A	ControlNet Channel A Status

Table 104 - PROFIBUS Option Module Node Address Switches

Switch	Name	Description
1	Endianness Selection Switch (Switch 8)	Sets endianness of data that are transmitted over network.
2	Node Address Switches (Switches 1...7)	Sets the node address of the option module.

Table 105 - PROFIBUS Option Module Selection Jumper

PROFIBUS Mode	Profidrive Mode ⁽¹⁾

(1) Profidrive Mode is not yet supported. Changing the jumper position has no effect. PROFIBUS is selected in both positions.

Table 106 - Network Connector

Name	Description
PROFIBUS DB9 Female Connector	PROFIBUS connection to the network.

BACnet/IP Option Module

For complete information on the BACnet/IP option module, see the PowerFlex 20-750-BNETIP BACnet/IP Option Module User Manual, publication [750COM-UM005](#).

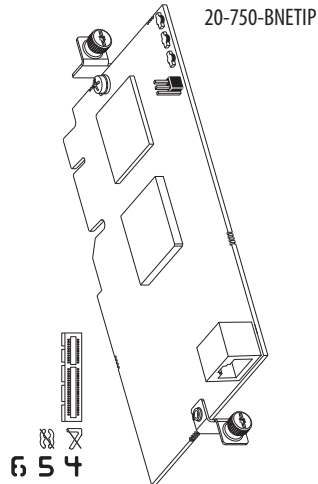


Table 107 - BACnet/IP Option Module Status Indicator Indication

Status Indicator	Name	Description
1	PORT	DPI Connection Status
2	MOD	Option Module Status
3	NET A	BACnet Status

Table 108 - P4 Address Selection Jumper

Jumper Position	Description
<p>1 2 3 P4</p>	Default network address.
<p>1 2 3 P4</p>	Configured network address.

Table 109 - Ethernet Connector

Name	Description
<p>Ethernet RJ45 Connector</p>	BACnet/IP connection to the Ethernet network.

20-COMM Carrier

Enables use of some 20-COMM adapters with PowerFlex 750-Series drives. See [Table 110](#).

See publication [750COM-IN001](#) for instructions on how to install a 20-COMM adapter on the 20-COMM Carrier.

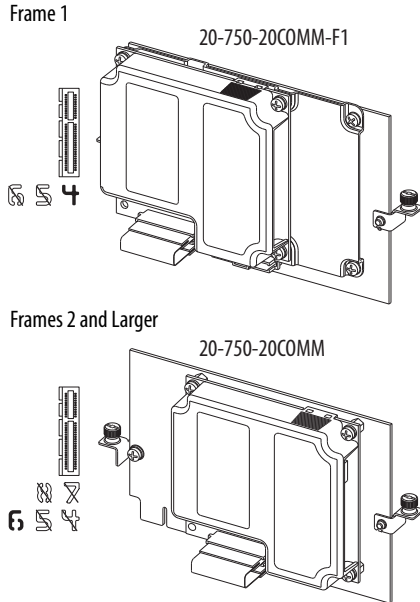


Table 110 - 20-COMM-x Network Adapter Compatibility with 750-Series Drives

Adapter		Accesses Ports 0...6 for I/O Connections (Implicit and Explicit Messaging)	Accesses Ports 7 and Higher (I/O, Explicit Messaging)	Supports Drive Add-on Profiles	Supports Asian Languages ⁽⁶⁾
Cat. No.	Type				
20-COMM-B	BACnet MS/TP	Not Compatible			
20-COMM-C	ControlNet (Coax)	v3.001 ⁽⁴⁾	v3.001 ⁽⁴⁾	⁽⁵⁾	v3.001 ⁽⁴⁾
20-COMM-D	DeviceNet	⁽²⁾	Not Compatible		
20-COMM-E	EtherNet/IP	v4.001 ⁽⁴⁾	v4.001 ⁽⁴⁾	⁽⁵⁾	v4.001 ⁽⁴⁾
20-COMM-H	RS-485 HVAC	v2.009 ⁽³⁾⁽⁴⁾	Not Compatible		
20-COMM-K	CANopen	v1.001 ⁽⁴⁾			
20-COMM-L	LonWorks	v1.007 ⁽⁴⁾			
20-COMM-M	Modbus/TCP	v2.001 ⁽⁴⁾	v2.001 ⁽⁴⁾	Not Compatible	v2.001 ⁽⁴⁾
20-COMM-P	ControlNet (Fiber)	v1.006 ⁽⁴⁾	v1.006 ⁽⁴⁾		Not Compatible
20-COMM-Q	PROFIBUS DP	v3.001 ⁽⁴⁾	v3.001 ⁽⁴⁾	⁽⁵⁾	v3.001 ⁽⁴⁾
20-COMM-R ⁽¹⁾	Remote I/O	⁽²⁾	Not Compatible		
20-COMM-S	RS-485 DF1	⁽²⁾	Not Compatible		

- (1) This item is [discontinued](#).
- (2) Controller must be able to read/write 32-bit floating point (REAL) values.
- (3) Supports all three modes of operation (RTU, P1, N2).
- (4) Requires this adapter firmware revision or higher.
- (5) Requires firmware revision v1.05 or higher of the drive Add-on Profiles for RSLogix 5000® version v16 or higher.
- (6) Chinese, Japanese, and Korean languages are supported at the time of publication.

Frame 1 Drives Installation Recommendations

PowerFlex Frame 1 drives require the use of the communication carrier kit, catalog number 20-750-20COMM-F1. This kit contains the required adapter plate.

Only install the communication carrier kit in Port 4. See [page 258](#) for port locations. Port 5 is not accessible when this module is installed.

Frame 2 and Larger Drives Installation Recommendations

We recommend that you install the 20-750-20COMM Communication Carrier in Port 6. Installing the communication carrier in Port 4 or Port 5 makes the adjacent left port inaccessible to other option modules, and can interfere with network cable connections.

Single Incremental Encoder Option Module

This section provides details for the single incremental encoder option module.

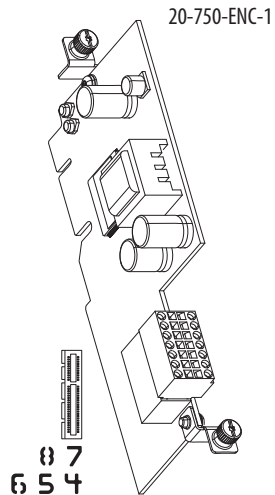


Table 111 - Single Incremental Encoder Specifications

Consideration	Description
Input	Differential or Single Ended operation, Constant Current Sink operation, approx 10 mA 5V DC min to 15V DC max sourcing 10 mA Minimum high state voltage of 3.5V DC Maximum low state voltage of 0.4V DC
Maximum Cable Length	30 m (100 ft) at 5V, 183 m (600 ft) at 12V
Maximum Input Frequency	250 kHz

Table 112 - TB1 Terminal Designations

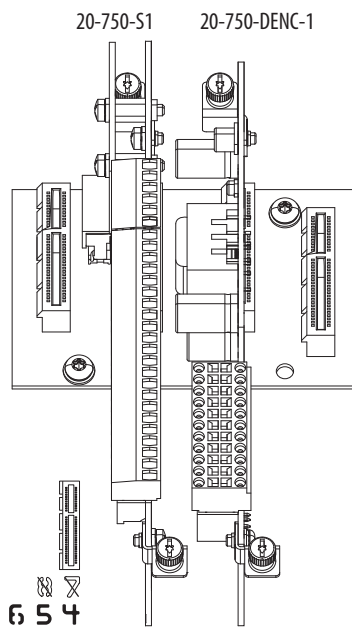
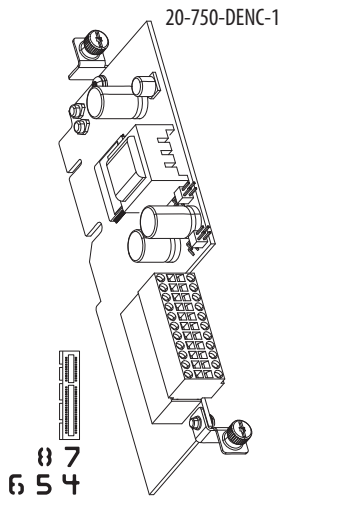
Terminal	Name	Description
Sd	Shield	Terminating point for wire shields when an EMC plate or conduit box is not installed.
12	+12 Volt DC Power	Power supply for encoder 250 mA.
Com	Common	+12V and +5V Common
5	+5 Volt DC Power	Power supply for encoder 250 mA.
A	Encoder A	Single channel or quadrature A input.
A-	Encoder A (NOT)	
B	Encoder B	Quadrature B input.
B-	Encoder B (NOT)	
Z	Encoder Z	Pulse or marker input.
Z-	Encoder Z (NOT)	
+24	+24 Volt	Power source for homing input.
24C	Common	
HmC	Homing Input Common	Captures the AB edge counter.
Hm	Homing Input	

Table 113 - Single Incremental Encoder Sample Wiring

I/O	Connection Example
<p>Encoder Power by Drive 12V DC, 250 mA OR 5V DC, 250 mA</p>	
<p>Separately Powered Encoder</p>	
<p>Encoder Signal – Single-Ended, Dual Channel</p>	
<p>Encoder Signal – Differential, Dual Channel</p>	
<p>Homing Signal – Internal Drive Power</p>	
<p>Homing Signal – External Power</p>	

Dual Incremental Encoder Option Module

This section provides details for the dual incremental encoder option module.



See the **Important** statements on this page.

Table 114 - Dual Incremental Encoder Jumper Settings

Jumper	Enabled Position	Storage Position
P3 - Safety Jumper Enables use with speed monitoring safety option (20-750-S1).		
P4 - 12V Jumper Enables use with 12 volt supply in "Enabled" position and 5 volt supply in "Storage" position.		

Table 115 - Dual Incremental Encoder Specifications

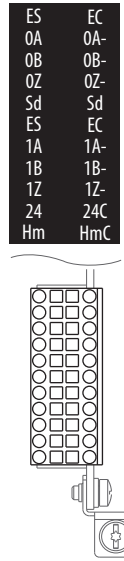
Consideration	Description
Input	Differential or Single Ended operation, Constant Current Sink operation, approx. 10 mA 5V DC minimum to 15V DC maximum sourcing 10 mA Minimum high state voltage of 3.5V DC Maximum low state voltage of 0.4V DC
Maximum Cable Length	30 m (100 ft) at 5V, 183 m (600 ft) at 12V
Maximum Input Frequency	250 kHz

IMPORTANT PowerFlex 753 drives and PowerFlex 755 drives support the use of the Dual Incremental Encoder option module when used with the Safe Speed Monitor option module (catalog number 20-750-S1).

IMPORTANT When used with the Safe Speed Monitor option, both modules must be installed on the same backplane using ports 4, 5, or 6.

Table 116 - Dual Incremental Encoder Terminal Designations

Terminal	Name	Description
ES	+12 Volt or +5 Volt DC Power	Power supply for Encoder 0, 250 mA.
EC	Common	+12V and +5V Encoder 0, common
0A	Encoder 0: A	Single channel or quadrature A input.
0A-	Encoder 0: A (NOT)	
0B	Encoder 0: B	Quadrature B input.
0B-	Encoder 0: B (NOT)	
0Z	Encoder 0: Z	Pulse or marker input.
0Z-	Encoder 0: Z (NOT)	
Sd	Encoder Shield	Terminating point for wire shields when an EMC plate or conduit box is not installed.
Sd	Encoder Shield	
ES	+12 Volt or +5 Volt DC Power	Power supply for Encoder 1, 250 mA.
EC	Common	+12V and +5V Encoder 1, common
1A	Encoder 1: A	Single channel or quadrature A input.
1A-	Encoder 1: A (NOT)	
1B	Encoder 1: B	Quadrature B input.
1B-	Encoder 1: B (NOT)	
1Z	Encoder 1: Z	Pulse or marker input.
1Z-	Encoder 1: Z (NOT)	
24	+24 Volt	Power source for homing input.
24C	Common	
Hm	Homing Input	Captures the AB edge counter.
HmC	Homing Input Common	



Wiring Examples – Single Incremental Encoder Option Module Connections

This section provides wiring examples for the single incremental encoder option module.

Figure 141 - Homing Signal – External Power

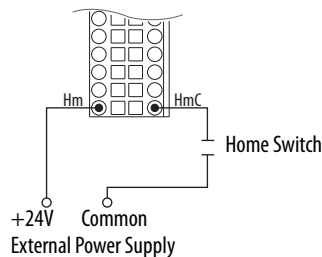


Figure 142 - Differential Dual Channel with Z Channel

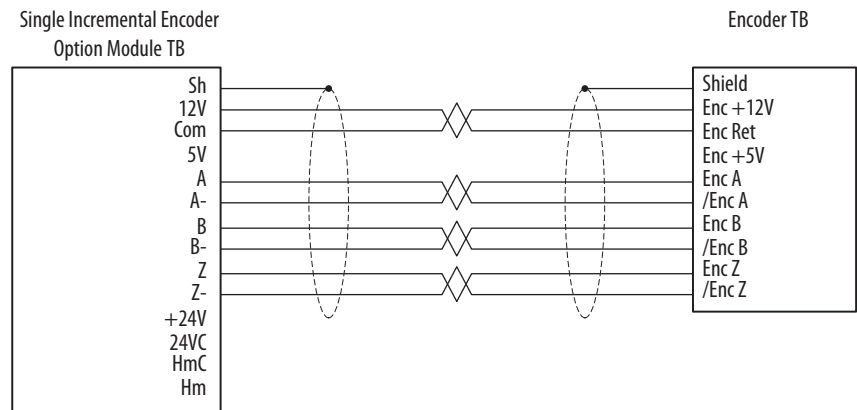


Figure 143 - Differential Dual Channel without Z Channel

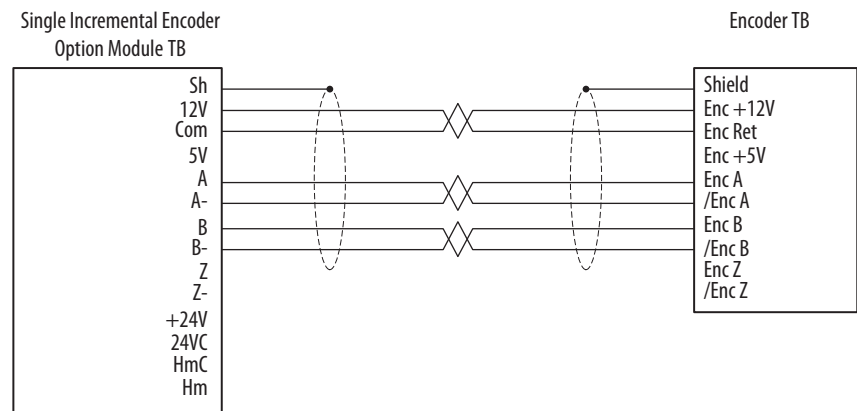


Figure 144 - Differential Dual Channel with Z Channel with External Power Supply

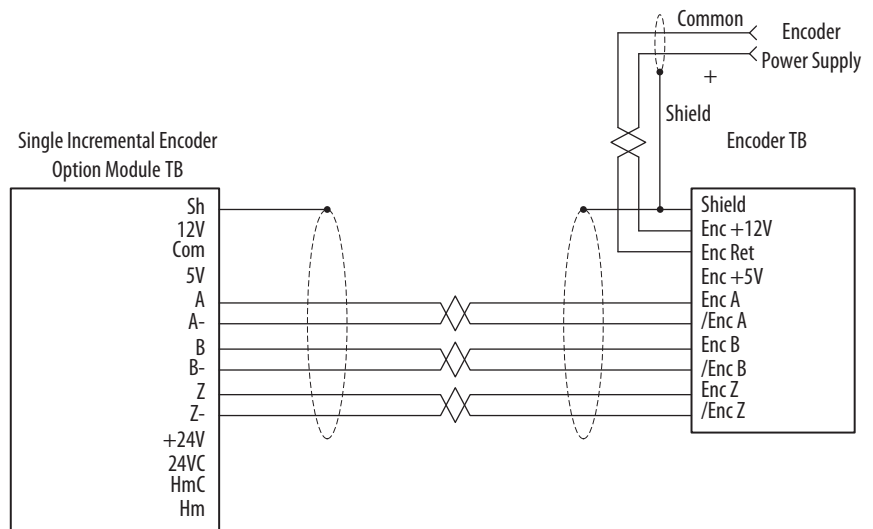
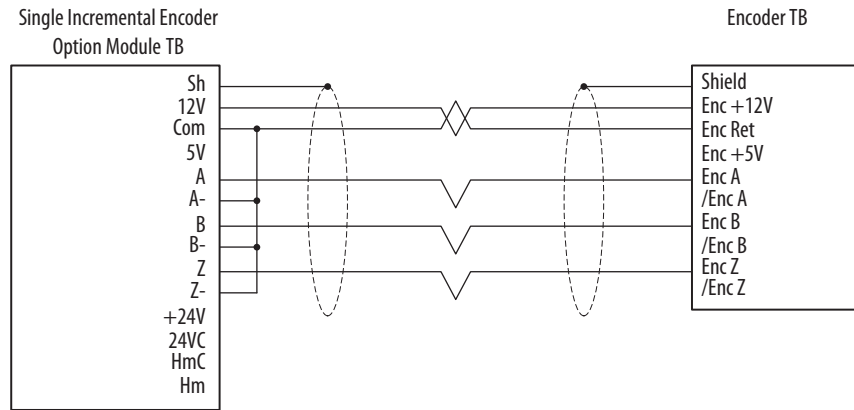


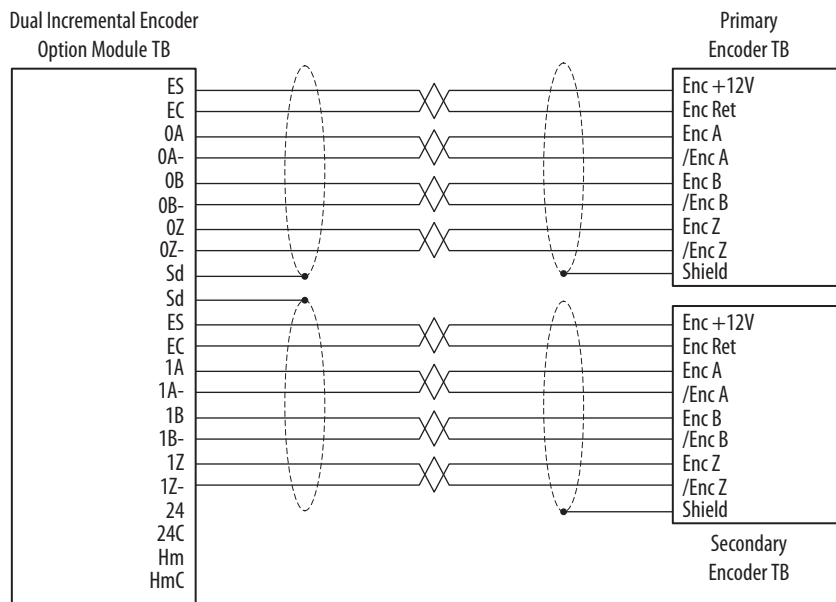
Figure 145 - Single-ended, Dual Channel



Wiring Example – Dual Incremental Encoder Option Module Connections

This section provides a wiring example for the dual incremental encoder option module.

Figure 146 - Differential Dual Channel with Z Channel

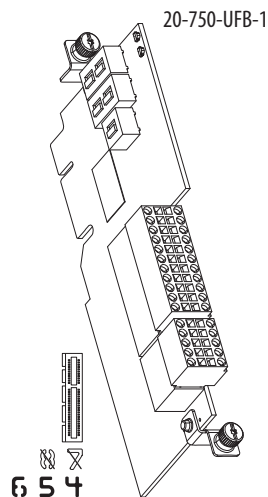


Universal Feedback Option Module – Only PowerFlex 755 Drives

This section provides details for the universal feedback option module (only for PowerFlex 755 drives).

IMPORTANT Only PowerFlex 755 drives support the use of the Universal Feedback option module when used with the Safe Speed Monitor option module (catalog number 20-750-S1).

Table 117 - Universal Feedback Option Module Light-emitting Diode Indication



Status Indicator	Name	Color	State	Description
1	Board	Unlit	Off	Not powered.
		Green	Flashing	Initializing, not active. Communication lost, attempt to reconnect.
			Steady	Operational, no faults are present.
		Red	Flashing	Module error. • Check P1 [Module Sts]
			Steady	Normal operation. Module is booting.
				Fatal module error. • Cycle power • Flash update module firmware • Replace module
		Yellow	Flashing	A type 2 alarm condition exists. • Check P1 [Module Sts]
			Steady	A type 1 alarm condition exists. • Check P1 [Module Sts]
		Yellow / Green	Flashing Alternately	Module is flash updating.
		2	DPI	Unlit
Green	Flashing			Module is attempting to communicate with the DPI host.
	Steady			• Properly connected and has communication. • Module is flash updating.
Red	Flashing			Module is not communicating with the DPI host.
	Steady			DPI communication failure such as invalid port.
Yellow	Flashing			Normal operation.
	Steady	Peripheral is connected to a SCANport™ product and does not support a SCANport compatibility mode.		

Table 118 - Universal Feedback Option Module DIP Switch Settings – Safety Application

Safety Channel Selection	DIP Switch Settings ⁽¹⁾
Primary Safety Channel To connect feedback signals to the primary safety channel, set: S1 sliders to ON S2 sliders to OFF S3 slider to ON	
Secondary Safety Channel To connect feedback signals to the secondary safety channel, set: S1 sliders to OFF S2 sliders to ON S3 slider to ON	
Primary and Secondary Safety Channels To connect feedback signals to both the primary and secondary safety channels, set: S1 sliders to ON S2 sliders to ON S3 slider to ON	

(1) DIP switches only function when safety channels are used.

Table 119 - TB1 Terminal Designations

	Terminal	Name	Description
	-Sn	Sine (-)	Positive and negative terminals for Sine and Cosine signals. For use with 5V incremental encoders only.
	+Sn	Sine (+)	
	-Cs	Cosine (-)	
	+Cs	Cosine (+)	
	Is	Inner Shield	Heidenhain inner shield terminal
	Os	Outer Shield	Cable shield terminal
	-Xc	Channel X Clock (-)	Negative clock terminal (channel X)
	+Xc	Channel X Clock (+)	Positive clock terminal (channel X)
	-Xd	Channel X Data (-)	Negative data terminal (channel X)
	+Xd	Channel X Data (+)	Positive data terminal (channel X)
	-Hf	Heidenhain Supply Feedback (-)	For incremental feedback applications, tie terminal -Hf to 5c and terminal +Hf to +5 for proper voltage regulation.
	+Hf	Heidenhain Supply Feedback (+)	
	5c	Common	+5V common
	+5	+5 Volt DC Power	Power supply for encoder 250 mA
	12c	Common	+12V common
	+12	+12 Volt DC Power	Power supply for encoder (10.5V at 250 mA)
	-A	Encoder A (NOT)	Single channel or quadrature A input or encoder output. ⁽¹⁾
	A	Encoder A	
-B	Encoder B (NOT)	Quadrature B input or encoder output. ⁽¹⁾	
B	Encoder B		
-Z	Encoder Z (NOT)	Pulse or marker input or encoder output. ⁽¹⁾	
Z	Encoder Z		

(1) Inputs support 5V incremental encoders only. The encoder outputs differential voltage is 3.3V.

Table 120 - TB2 Terminal Designations

	Terminal	Name	Description
	-Hm	Home Input (-)	12V DC at 9 mA to 24V DC at 40 mA
	+Hm	Home Input (+)	
	-R0	Registration Input 0 (-)	Positive and negative encoder registration terminals. 12V DC at 9 mA to 24V DC at 40 mA
	+R0	Registration Input 0 (+)	
	-R1	Registration Input 1 (-)	
	+R1	Registration Input 1 (+)	
	-Yc	Channel Y Clock (-)	Negative clock terminal (channel Y)
	+Yc	Channel Y Clock (+)	Positive clock terminal (channel Y)
	-Yd	Channel Y Data (-)	Negative data terminal (channel Y)
	+Yd	Channel Y Data (+)	Positive data terminal (channel Y)

IMPORTANT Only one linear feedback device can be connected to the option module. Wire the device to either channel X on TB1, or channel Y on TB2.

Table 121 - Universal Feedback Incremental AquadB Encoder

Consideration	Description
Input	Differential or single-ended operation, constant current sink operation, approx. 10 mA 3.5V DC minimum to 7.5V DC maximum sourcing 10 mA Minimum high state voltage of 3.5V DC Maximum low state voltage of 0.4V DC
Maximum cable length	30 m (100 ft) at 5V
Maximum input frequency	250 kHz

Table 122 - Supported Encoders

Consideration	Heidenhain (EnDat)	SSI	Stegmann (Hiperface)	BiSS	Stahl (linear)	Temposonics (linear)
Encoder voltage supply	5V at 250 mA	10.5V at 250 mA	10.5V at 250 mA	10.5V at 250 mA	External Supplied 24V	External Supplied 24V
High-resolution signal	Sine/Cosine 1V P-P	Sine/Cosine 1V P-P	Sine/Cosine 1V P-P	Sine/Cosine 1V P-P	N/A	N/A
Maximum cable length	100 m (328.1)	100 m (328.1)	90 m (295.3)	100 m (328.1)	100 m (328.1)	100 m (328.1)
Update rate ⁽¹⁾	102.4 μ s	102.4 μ s	102.4 μ s	102.4 μ s	0.5/1.0/1.5/2.0 ms	0.5/1.0/1.5/2.0 ms
Maximum input frequency	163.8 kHz	163.8 kHz	163.8 kHz	163.8 kHz	N/A	N/A

(1) The universal feedback encoder option module acquires the position with the update rates displayed.

Motor Power Cables

For detailed information on 2090-Series flying-lead motor cables, see the Kinetix® Motion Accessories Specifications Technical Data, publication [GMC-TD004](#).

Feedback Device Resolution

When using a PowerFlex 755 drive to control a permanent magnet motor, the motor feedback device must have a resolution so that the number of pulses per revolution (PPR) is an exponent of 2.

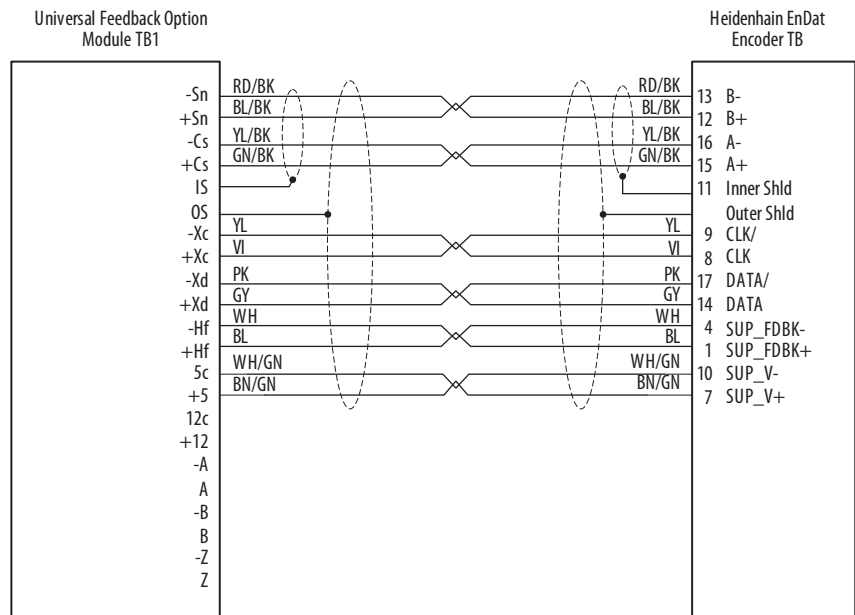
For example: 512, 1024, 2048, 4096, 8192...524288, 1048576...

Motor Feedback Wiring Examples

The following table includes a list of motor, feedback device, and cable wiring examples.

If You Are Using This Motor and/or Feedback Device...	And This Cable...	See This Wiring Example...
Heidenhain EnDat angle encoder (for example, RCN729/829) with internal power supply	Supplied with encoder	Figure 147 on page 301
Heidenhain EnDat angle encoder with external power supply	Supplied with encoder	Figure 148 on page 301
Heidenhain Non-EnDat rotary encoder with internal power supply	PUR cable that is supplied with encoder	Figure 149 on page 302
Heidenhain EnDat rotary encoder (ECN 412 EnDat01) with internal power supply	Supplied with encoder	Figure 150 on page 303
Heidenhain EnDat rotary encoder (ECN 412 EnDat01) with internal power supply	PUR cable that is supplied with encoder	Figure 151 on page 303
MP-Series™ (460V) motor and Stegmann rotary or Rotary encoder HPK series motor and Stegmann rotary or Rotary encoder Allen-Bradley® 1326AB-Series motor and Stegmann rotary or Rotary encoder	Catalog number 2090-CFBM7DF-CEAAXX	Figure 152 on page 304
Stegmann rotary encoder	Catalog number 1326-CECU-XXL-XXX	Figure 153 on page 305
	Pre-attached, shielded, twisted pair	Figure 154 on page 305
	Shielded, twisted-pair cable with an 8-pin Berg style connector	Figure 155 on page 306
	Shielded, twisted-pair cable with a 10-pin MS-style connector	Figure 156 on page 306
	Shielded, twisted-pair cable with a 12-pin DIN-style connector	Figure 157 on page 307
Linear sensor	MDI RG Connector	Figure 158 on page 307
	P Integral Cable	Figure 158 on page 307
Registration sensor	Supplied with sensor	Figure 159 on page 308
Simulated Incremental encoder output	Customer supplied	Figure 160 on page 308
Incremental encoder with 5V internal power supply	Customer supplied	Figure 161 on page 309
Incremental encoder with external power supply	Customer supplied	Figure 162 on page 309

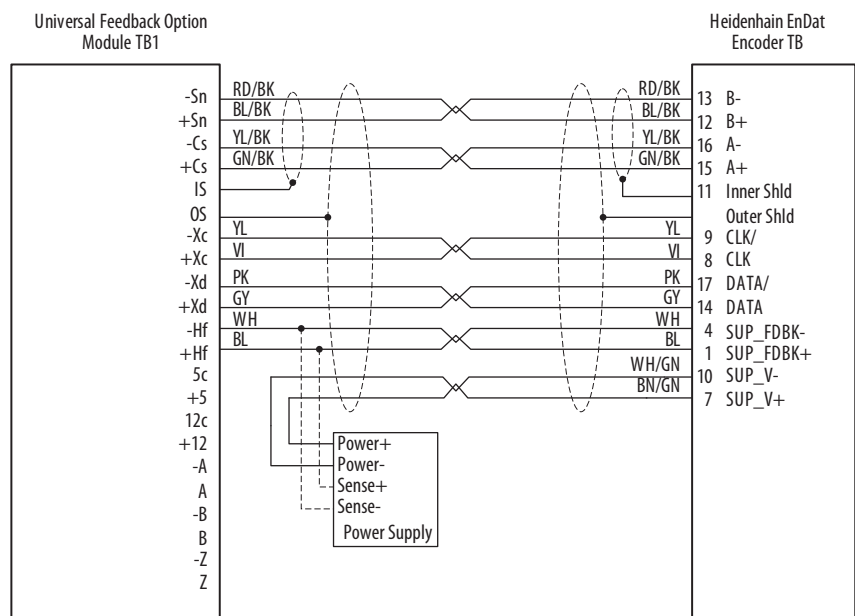
Figure 147 - Heidenhain EnDat Angle Encoder with Internal Power Supply



Set Universal Feedback parameter P6 [FB0 Device Sel] or P36 [FB1 Device Sel] to 1 “EnDat SC.”

IMPORTANT See the installation instructions that are supplied with encoder for additional information.

Figure 148 - Heidenhain EnDat Angle Encoder with External Power Supply

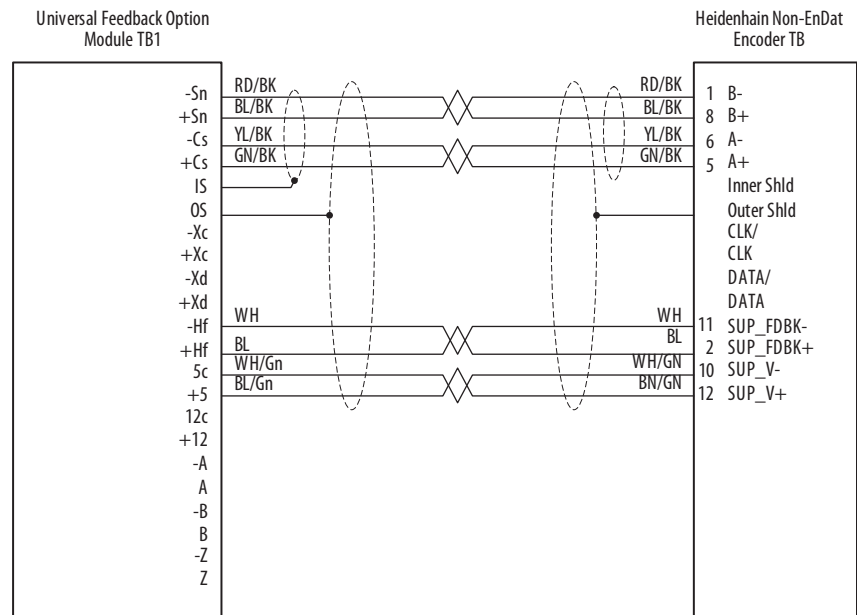


Set Universal Feedback parameter P6 [FB0 Device Sel] or P36 [FB1 Device Sel] to 1 “EnDat SC.”

IMPORTANT See the installation instructions that are supplied with encoder for additional information. The external power supply must be 3.6V . . . 5.25V, maximum 350 mA.

TB1-14 (Power+) and TB1-13 (Power-) must not be connected to the encoder. The brown/green and white/green conductors must be connected to the external power supply. If the external power supply does not have sense connections, the supply feedback (sense) connections is still made from the encoder to the universal board (TB1-11, 12).

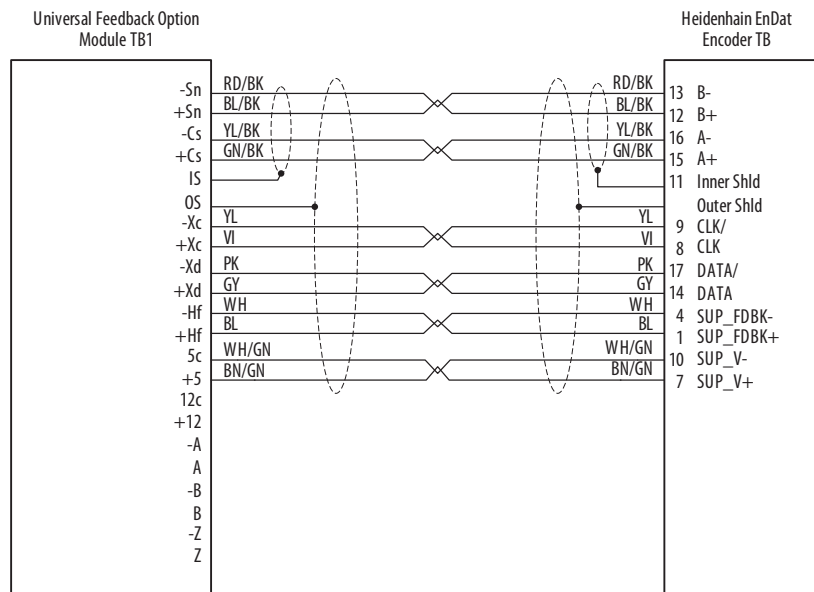
Figure 149 - Heidenhain Non-EnDat Rotary Encoder with Internal Power Supply



Set Universal Feedback parameter P6 [FB0 Device Sel] or P36 [FB1 Device Sel] to 11 “SinCos Only.”

IMPORTANT See the installation instructions that are supplied with encoder for additional information.

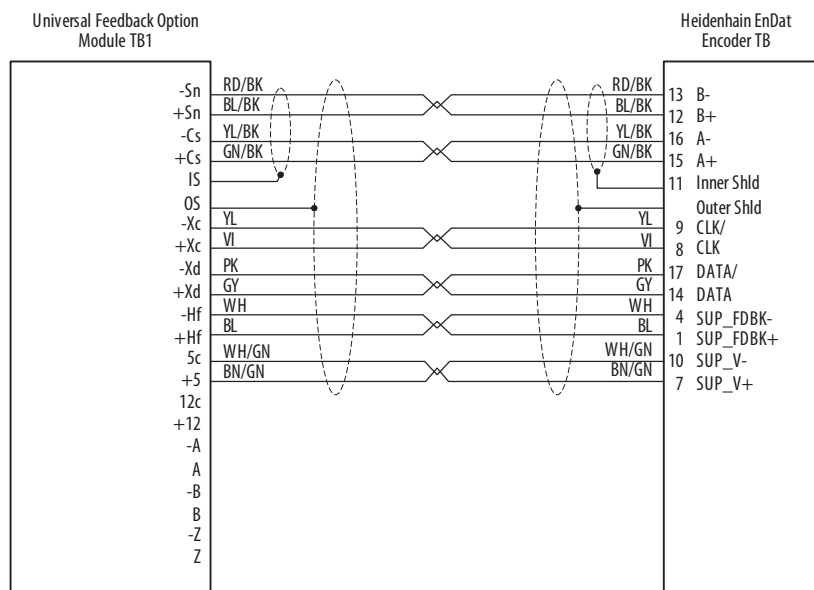
Figure 150 - Heidenhain EnDat Rotary Encoder (ECN 412 EnDat01) with Internal Power Supply



Set Universal Feedback parameter P6 [FB0 Device Sel] or P36 [FB1 Device Sel] to 1 “EnDat SC.”

IMPORTANT See the installation instructions that are supplied with encoder for additional information.

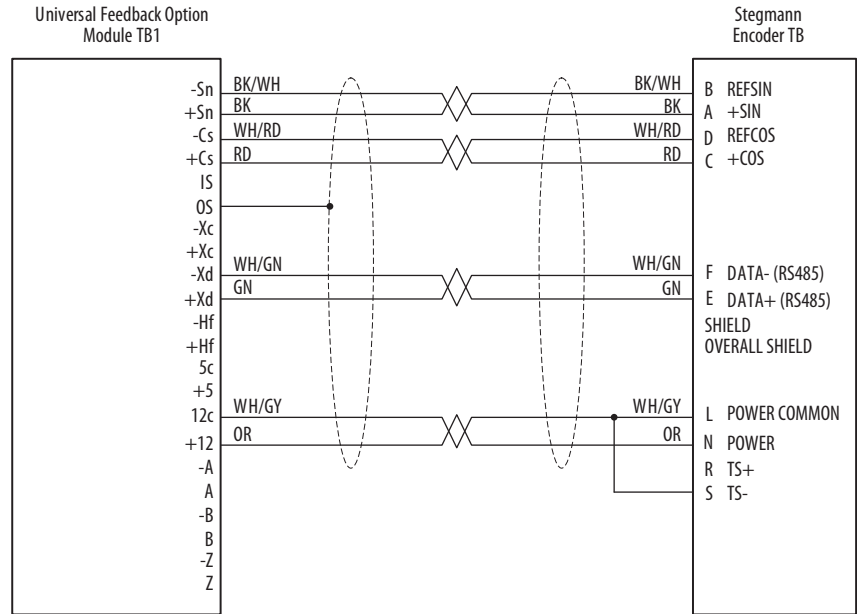
Figure 151 - Heidenhain EnDat Rotary Encoder (ECN 412 EnDat01) with Internal Power Supply



Set Universal Feedback parameter P6 [FB0 Device Sel] or P36 [FB1 Device Sel] to 1 “EnDat SC.”

IMPORTANT See the installation instructions that are supplied with encoder for additional information.

Figure 152 - 460V MP-Series, HPK-Series, or Allen-Bradley® 1326AB-Series Motor and a Stegmann Rotary or Rotary Encoder Connected Via a 2090-CFBM7DF-CEAAXX (Non-flex) or -CEAFX (Flex)

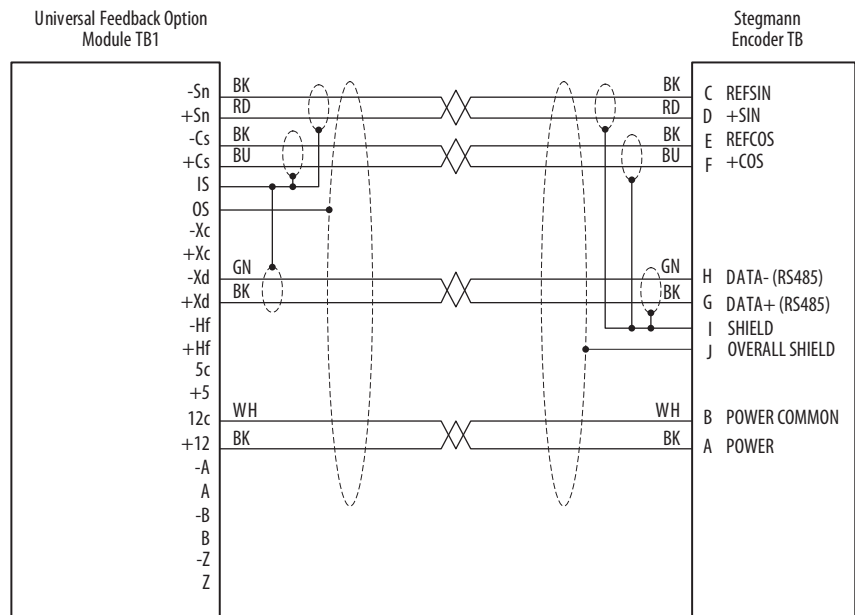


Set Universal Feedback parameter P6 [FB0 Device Sel] or P36 [FB1 Device Sel] to 2 “Hiperface SC.”

IMPORTANT Do not use 120 volts with the motor thermostat.

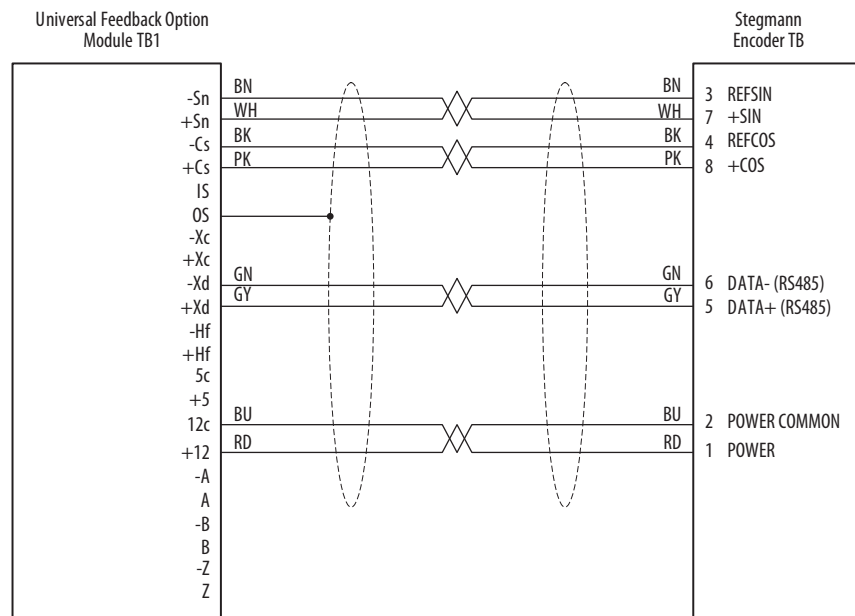
IMPORTANT The Thermal Switch cannot be accessed using 2090-XXNFMP-SXX or 2090-CFBM7XX series cables.

Figure 153 - Stegmann Rotary Encoder Connected Via a 1326-CECU-XXL-XXX Cable



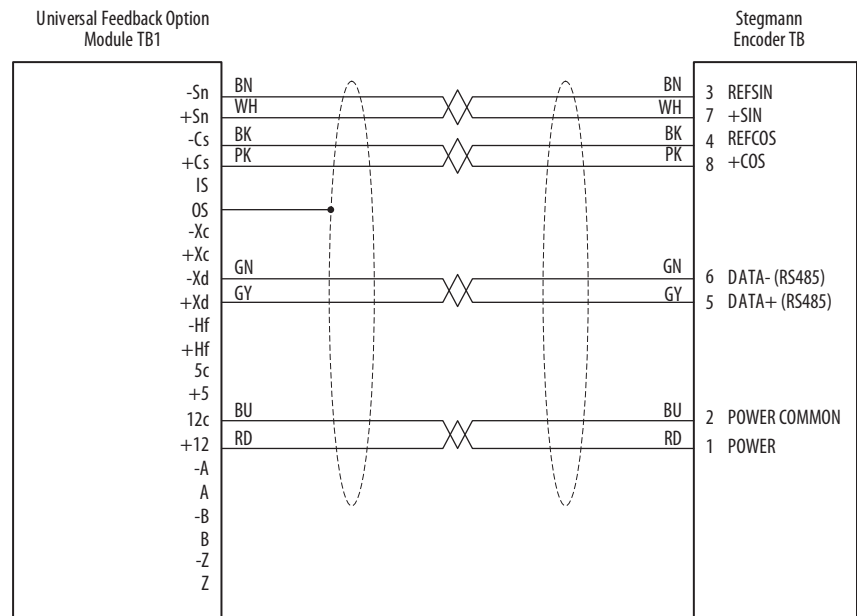
Set Universal Feedback parameter P6 [FB0 Device Sel] or P36 [FB1 Device Sel] to 2 “Hiperface SC.”

Figure 154 - Stegmann Rotary Encoder Connected Via a Pre-attached, Shielded, Twisted-pair Cable



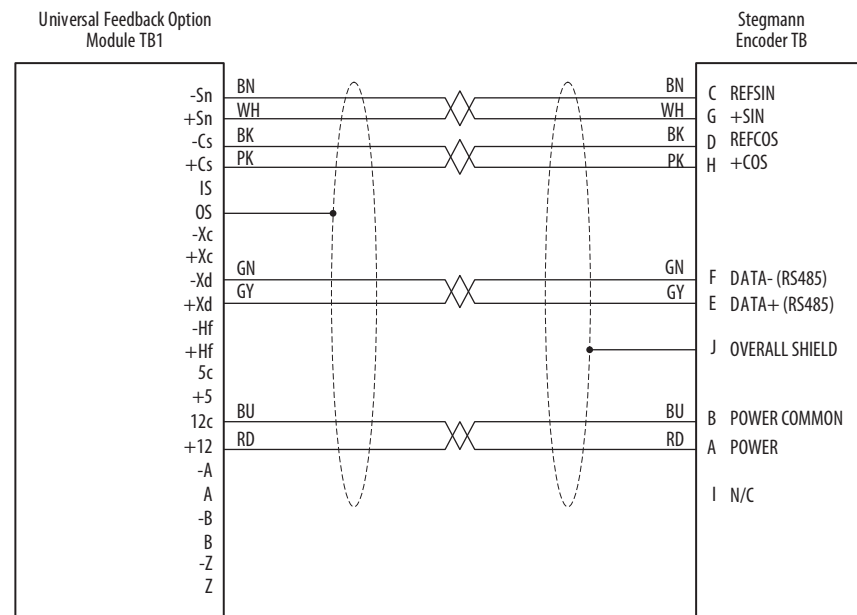
Set Universal Feedback parameter P6 [FB0 Device Sel] or P36 [FB1 Device Sel] to 2 “Hiperface SC.”

Figure 155 - Stegmann Rotary Encoder Connected Via a Shielded, Twisted-pair Cable with an 8-pin Berg Style Connector



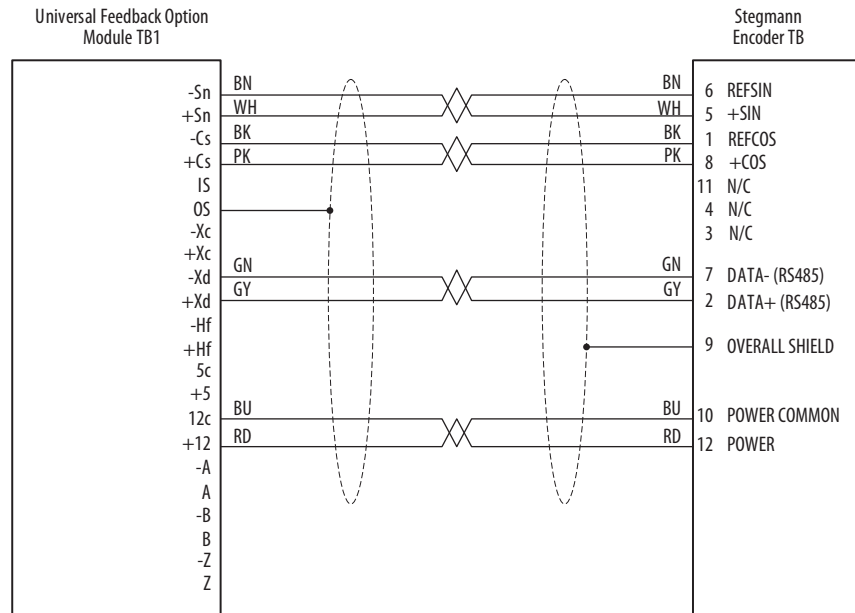
Set Universal Feedback parameter P6 [FB0 Device Sel] or P36 [FB1 Device Sel] to 2 “Hiperface SC.”

Figure 156 - Stegmann Rotary Encoder Connected Via a Shielded, Twisted-pair Cable with a 10-pin MS-style Connector



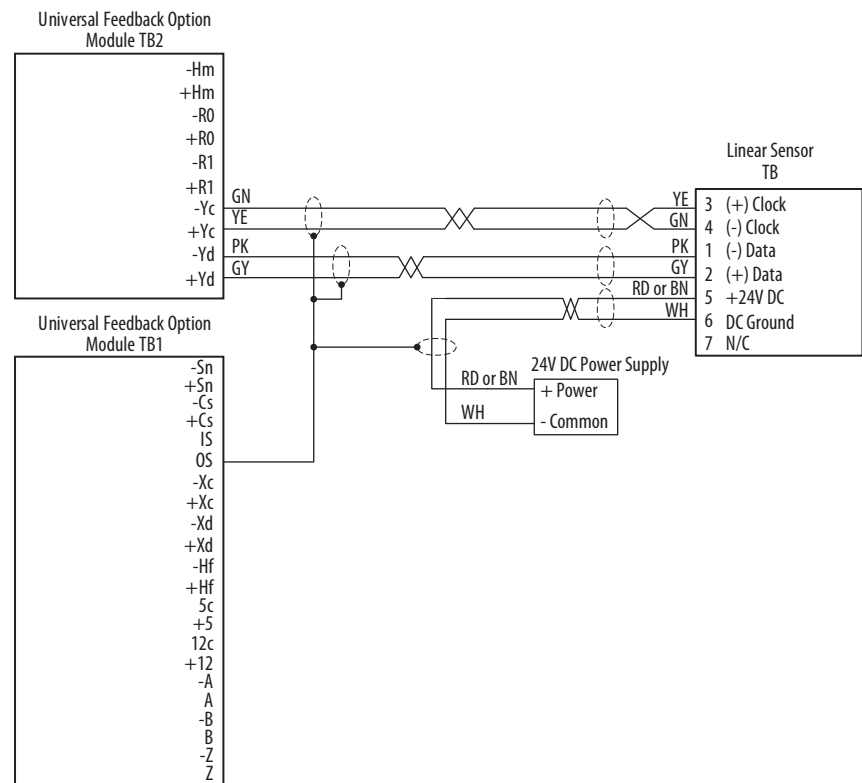
Set Universal Feedback parameter P6 [FB0 Device Sel] or P36 [FB1 Device Sel] to 2 “Hiperface SC.”

Figure 157 - Stegmann Rotary Encoder Connected Via a Shielded, Twisted-pair Cable with a 12-pin DIN Style Connector



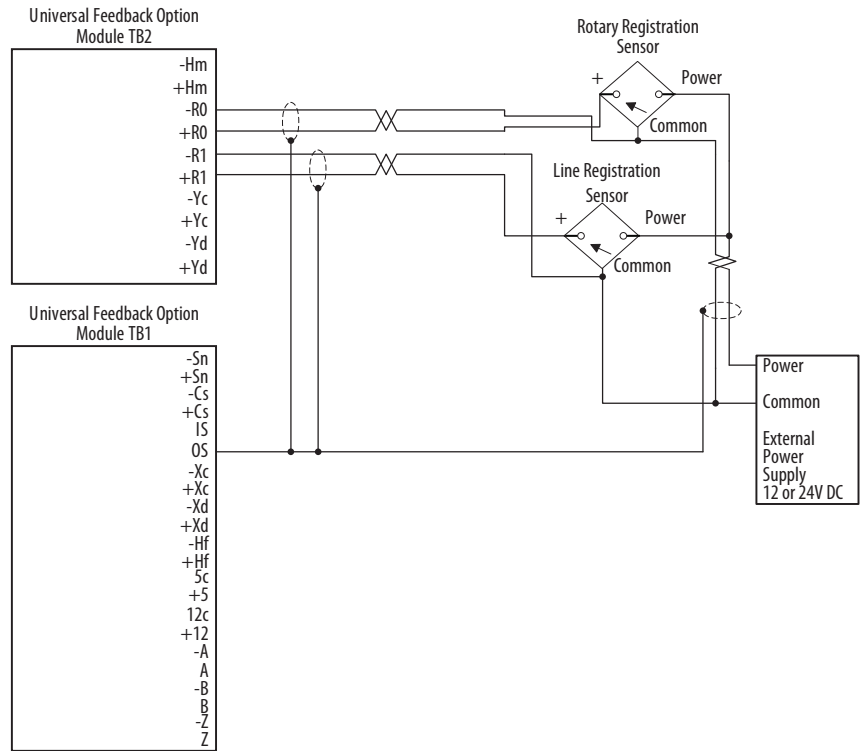
Set Universal Feedback parameter P6 [FB0 Device Sel] or P36 [FB1 Device Sel] to 2 “Hiperface SC.”

Figure 158 - Linear Sensor with MDI RG Connector or P Integral Cable



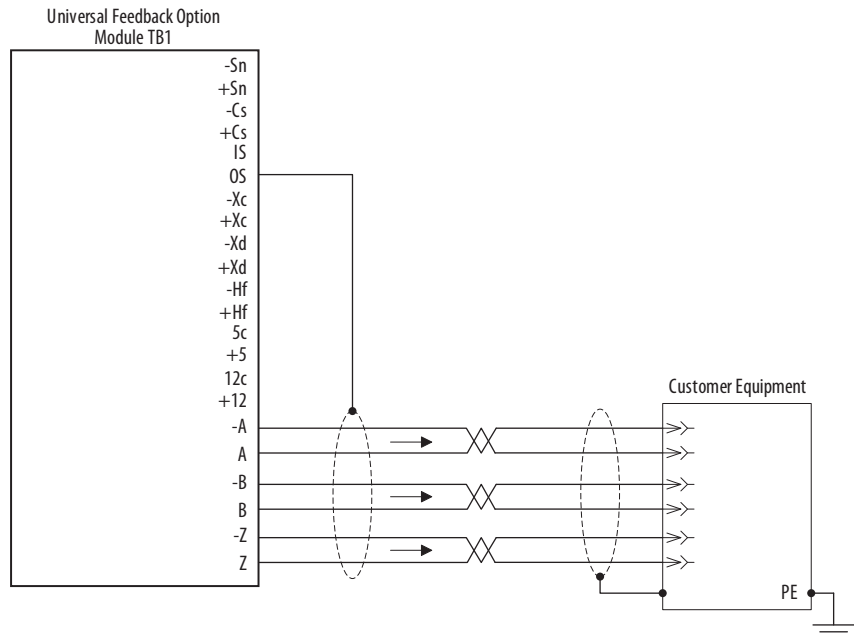
Set Universal Feedback parameter P6 [FB0 Device Sel] or P36 [FB1 Device Sel] to 17 “LinStahl ChY” or 19 “LinSSI ChY.”

Figure 159 - Registration Sensor



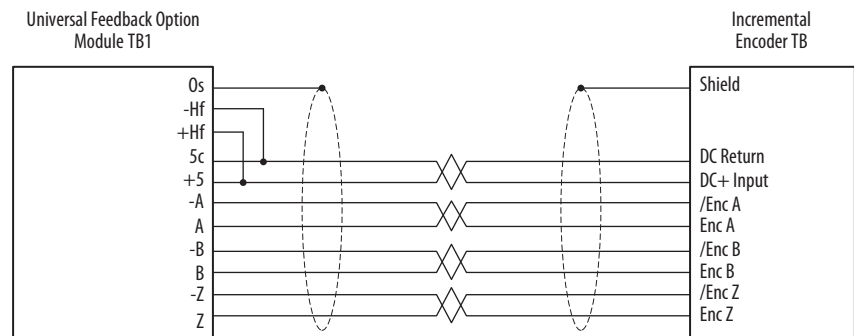
See Universal Feedback parameters P90 through P129.

Figure 160 - Simulated Incremental Encoder Output



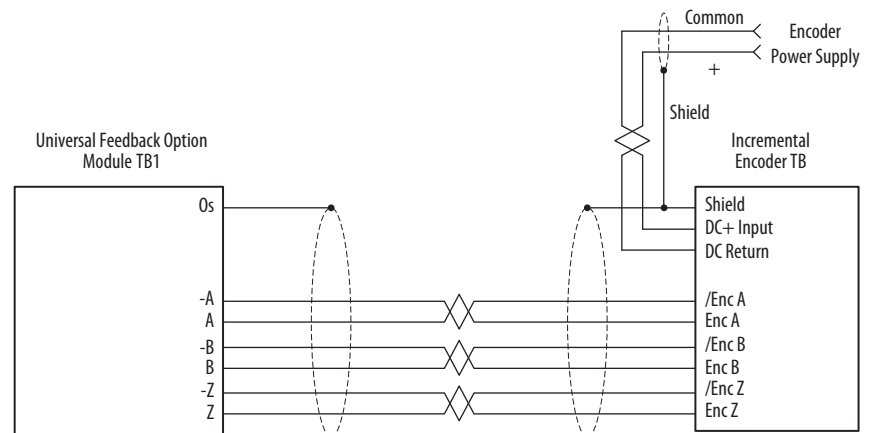
Set Universal Feedback parameter P80 [Enc Out Sel] to 2 “Sine Cosine,” 3 “Channel X,” or 4 “Channel Y” as needed.

Figure 161 - Differential Dual Channel with Z Channel with 5V Internal Supply



Set Universal Feedback parameter P6 [FB0 Device Sel] or P36 [FB1 Device Sel] to 12 “Inc A B Z.”

Figure 162 - Differential Dual Channel with Z Channel with External Power Supply



Set Universal Feedback parameter P6 [FB0 Device Sel] or P36 [FB1 Device Sel] to 12 “Inc A B Z.”

Control Pod Cable Routing

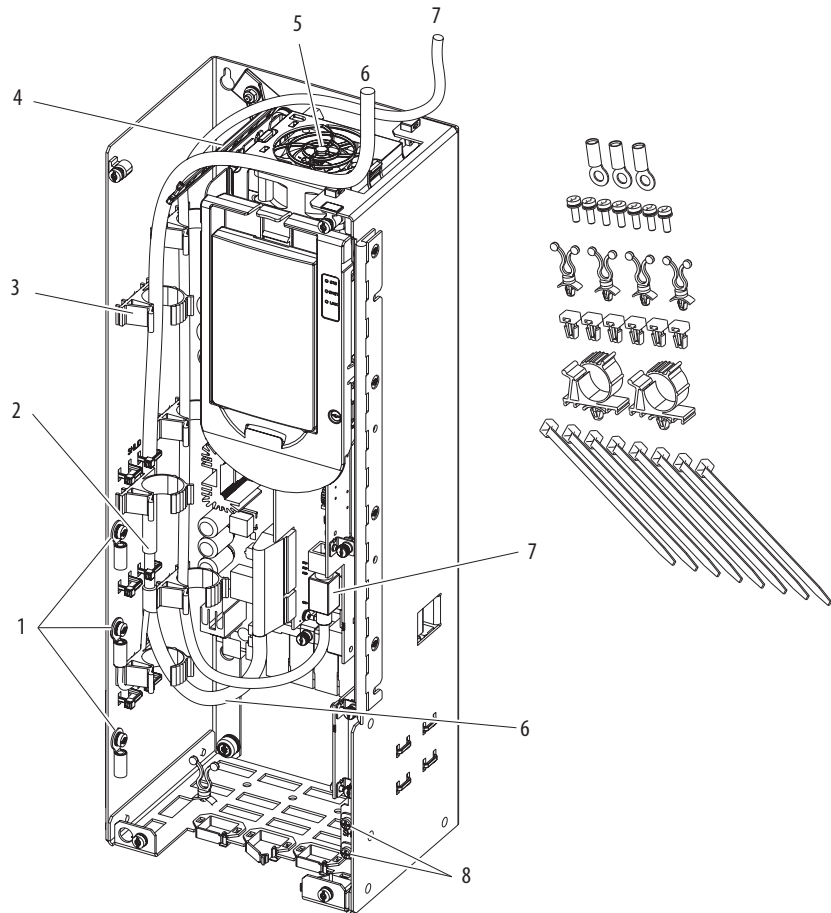
This section provides details for routing the control pod cable.

Floor Mount Frames 8...10

Supports, clips, and cable ties are provided to help route cabling inside the control pod.

-
- IMPORTANT**
- When routing cabling into the control POD, do not block the cooling fan outlet.
 - Do not ground shield wires to the inner sheet metal bucket that supports the option modules.
-

Figure 163 - Control POD Detail



No.	Description
1	I/O Signal shield termination points. Use M4 screws and ring terminals that are provided to tie together and terminate drain wires and shields.
2	Ground shield wires to outer sheet metal bucket. Strip cable insulation 25 mm (1 in.) to expose braid. Attach cable ties around shield and through slots. Pull tight.
3	Attachment points for cable management devices provided (six places).
4	Cable support ladder.

No.	Description
5	Fan outlet. Keep clear to help maintain proper cooling.
6	Control cable entry and routing.
7	Human Interface Module (HIM) cable entry and routing.
8	Shield termination points.

Control Wiring – Early Frame 8 Drives with Cabinet Options

Control terminal block TB2 is mounted on the inside right panel of the cabinet options bay on early production frame 8 drives. TB1 referenced in [Figure 164](#) resides on the main control board. See [page 242](#).

Table 123 - TB2 Terminal Block Specifications

Name	Wire Size Range mm ² (AWG)		Torque N·m (lb·in)		Strip Length mm (in.)
	Max	Min	Max	Recommended	
Control Terminal Block TB2	4.0 (12)	0.5 (20)	0.5 (4.5)	0.4 (3.5)	8 (0.32)

Figure 164 - Control Terminal Block TB2 - Floor Mount Frame 8 Drives

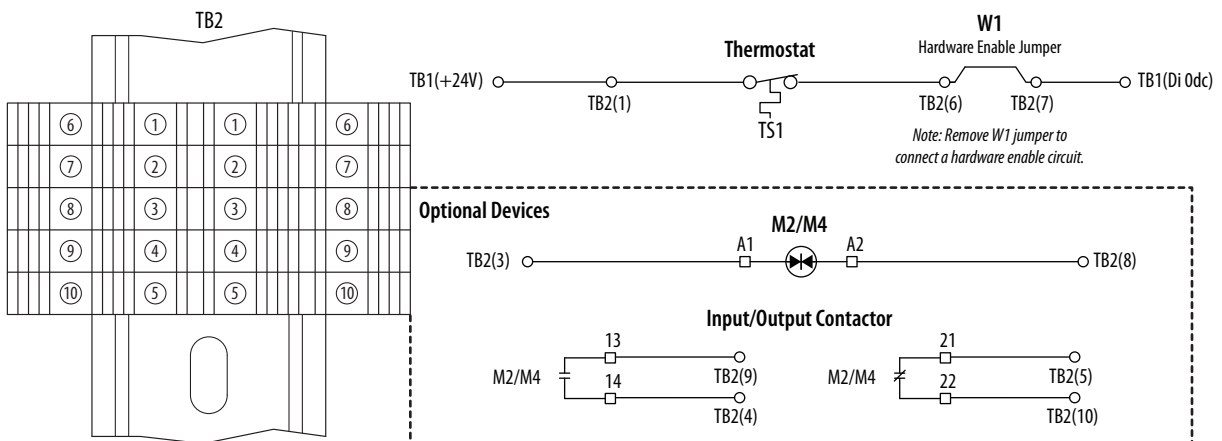
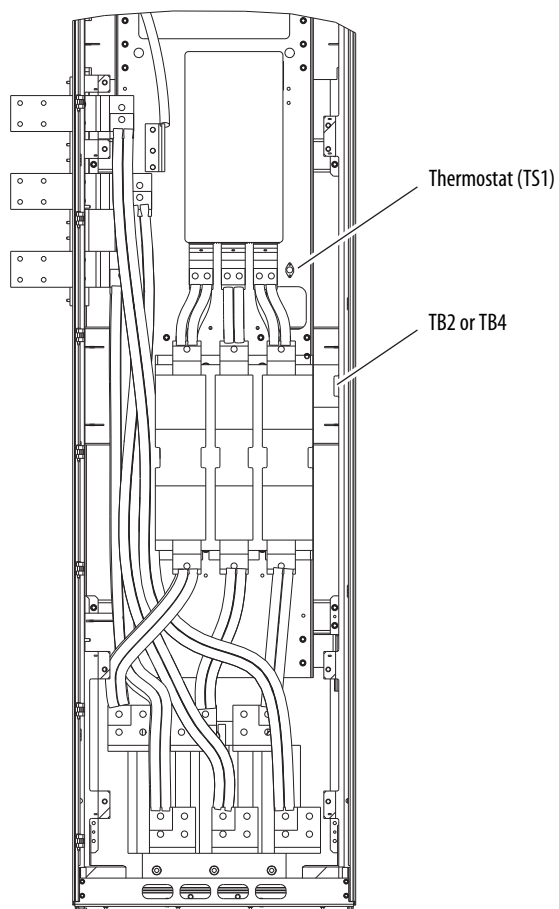


Table 124 - Input/Output Contactor Data

Cat. No. ⁽¹⁾	Input	Pick-up	Hold-in
100-D420EA11	50 Hz	490VA	18VA
100-D420ED11	60 Hz	490VA	18VA
100-D630EA11	50 Hz	1915VA	33VA
100-D630ED11	60 Hz	1915VA	33VA
100-D860EA11	50 Hz	1915VA	33VA
100-D860ED11	60 Hz	1915VA	33VA
100-G1200KD12	60 Hz	2,400VA	70VA

(1) For full contactor specifications, see publications 100D-SG001 and 100G-SG001.

Figure 165 - Frame 8 Cabinet Options Bay Component Location



Control Wiring – Current Frame 8 Drives with Cabinet Options

Frame 8 drives are shipped from the factory with control power set to 120V AC. To change control voltage to 230V AC, move the jumper as shown.

Table 125 - Control Power for Customer Use Voltage Selection – Floor Mount Frame 8 Drives

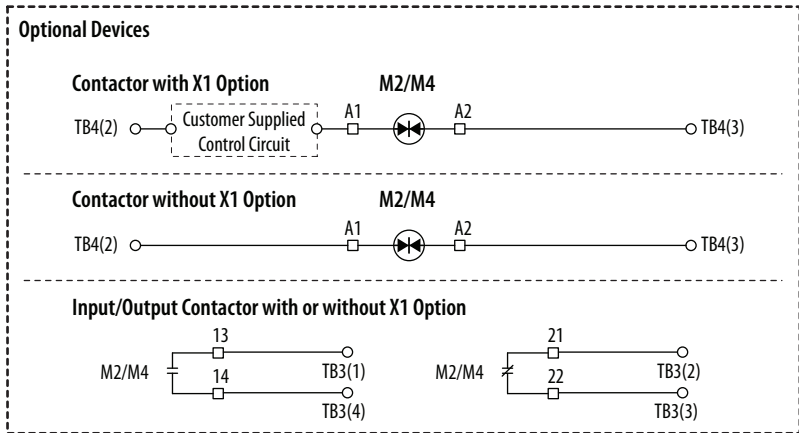
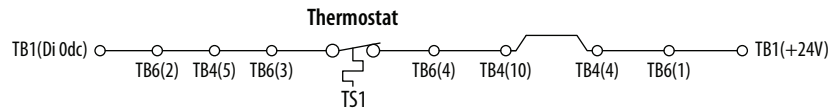
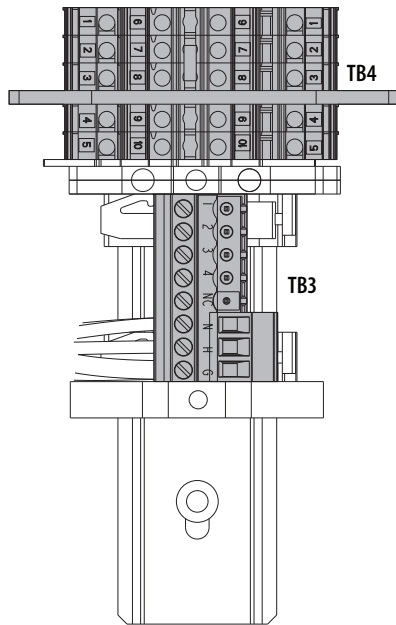
120V AC, 60 Hz, 4.2 A (Factory Setting)	230V AC, 50 Hz, 2.2 A

Control terminal block TB4 is mounted on the inside right panel of the cabinet options bay in current production drives. TB1 referenced in [Figure 166](#) resides on the main control board. See [Floor Mount Frames 8...10 on page 242](#).

Table 126 - TB4 Terminal Block Specifications

Name	Wire Size Range mm ² (AWG)		Torque N·m (lb·in)		Strip Length mm (in.)
	Max	Min	Max	Recommended	
Control Terminal Block TB3	4.0 (12)	0.2 (24)	0.5 (4.5)	0.4 (3.5)	7 (0.28)
Control Terminal Block TB4	4.0 (12)	0.5 (20)	0.5 (4.5)	0.4 (3.5)	8 (0.32)


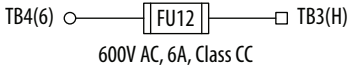
Figure 166 - Control Terminal Blocks TB3 and TB4 – Floor Mount Frame 8 Drives



Control Wiring – Frame 9 and 10 Drives with Cabinet Options

Frame 9 drives are shipped from the factory with control power set to 120V AC. To change control voltage to 230V AC, move the jumper as shown.

Table 127 - Control Power for Customer Use Voltage Selection – Floor Mount Frames 9 and 10 Drives

120V AC, 60 Hz, 4.2 A (Factory Setting)	230V AC, 50 Hz, 2.2 A
 <p>T1 (X2) — [FU12] — TB3(H) 600V AC, 3A, Class CC</p>	 <p>TB4(6) — [FU12] — TB3(H) 600V AC, 6A, Class CC</p>

Control terminal block TB4 is mounted on the power option module. TB1 referenced in [Figure 167](#) resides on the main control board. See [Floor Mount Frames 8...10 on page 242](#).

Figure 167 - Control Terminal Blocks TB3 and TB4 – Floor Mount Frames 9 and 10 Drives

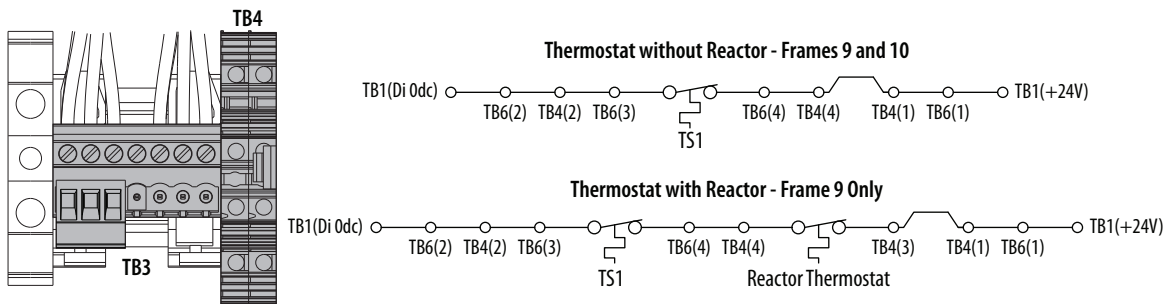
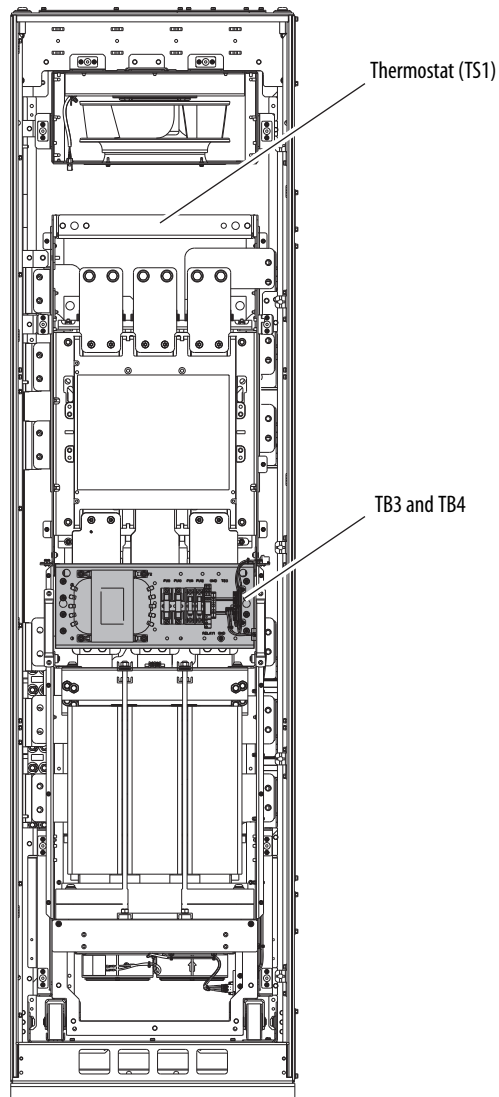


Figure 168 - Floor Mount Frame 9 Cabinet Options Bay Component Location



Enclosure Options – Floor Mount Frames 8...10

NEMA/UL Type 1 Enclosure – 2500 MCC Style Cabinet

The enclosure that is provided is a NEMA/UL Type 1 – 2500 MCC style cabinet that is 600 mm or 800 mm deep (Position 6, Code B, L, P, or W). Type 1 enclosures are intended for indoor use primarily to provide a degree of protection against limited amounts of falling dirt. Doors and openings are sealed by a gasket. One of these options in the catalog number indicates NEMA/UL Type 1 enclosures – 2500 MCC style cabinet:

- Position 6, Code B = 600 mm deep enclosure
- Position 6, Code L = 800 mm deep enclosure
- Position 6, Code P = 800 mm deep enclosure with MCC bus installed; standard cabinet color (RAL 7032)
- Position 6, Code W = 800 mm deep enclosure with MCC bus installed; Centerline 2100 gray color (ASA49)

NEMA Type 12 Enclosure – 2500 MCC Style Cabinet

The enclosure that is provided is a NEMA Type 12 – 2500 MCC style cabinet that is 800 mm deep (Position 6, Code J, K, or Y). Type 12 enclosures are intended for indoor use primarily to provide a degree of protection against dust, falling dirt, and dripping noncorrosive liquids. One of these options in the catalog number indicates NEMA Type 12 enclosure – 2500 MCC style cabinet:

- Position 6, Code J = 800 mm deep enclosure
- Position 6, Code K = 800 mm deep enclosure with MCC bus installed; standard cabinet color (RAL 7032)
- Position 6, Code Y = 800 mm deep enclosure with MCC bus installed; Centerline 2100 gray color (ASA49)

Before performing any work on the drive, read the general precautions that begin on [page 15](#).

Integrated Motion Drives

Configure Option Modules for Integrated Motion

PowerFlex® 755 drives can be used as part of an Integrated Motion system. Integrated Motion supports the following option module combinations.

Table 128 - Two Feedback Options and I/O

Supported Module	Cat. No.	Valid Ports
Single Incremental Encoder	20-750-ENC-1	4...8
Dual Incremental Encoder	20-750-DENC-1	4...8
Universal Feedback	20-750-UFB-1	4...6
11-Series I/O	20-750-1132C-2R, 20-750-1133C-1R2T, 20-750-1132D-2R	7
22-Series I/O	20-750-2262C-2R, 20-750-2263C-1R2T, 20-750-2262D-2R,	7

Table 129 - Two Feedback Options, One Safe Torque Off Option, and I/O

Supported Module	Cat. No.	Valid Ports
Single Incremental Encoder	20-750-ENC-1	4 and 5
Dual Incremental Encoder	20-750-DENC-1	4 and 5
Universal Feedback	20-750-UFB-1	4 and 5
Safe Torque Off	20-750-S	6
11-Series I/O	20-750-1132C-2R, 20-750-1133C-1R2T, 20-750-1132D-2R	7
22-Series I/O	20-750-2262C-2R, 20-750-2263C-1R2T, 20-750-2262D-2R	7

Table 130 - Two Feedback Options, One Safe Speed Monitor Option, and I/O

Supported Module	Cat. No.	Valid Ports
Single Incremental Encoder	20-750-ENC-1	4 and 5
Dual Incremental Encoder	20-750-DENC-1	4 and 5
Universal Feedback	20-750-UFB-1	4 and 5
Safe Speed Monitor	20-750-S1	6
11-Series I/O	20-750-1132C-2R, 20-750-1133C-1R2T, 20-750-1132D-2R	7
22-Series I/O	20-750-2262C-2R, 20-750-2263C-1R2T, 20-750-2262D-2R	7

Supporting Documentation

For detailed information for how to configure PowerFlex 755 drives for use with a ControlLogix® L6x or L7x controller, see these publications.

Publication

Integrated Motion on the EtherNet/IP network: Configuration and Startup User Manual, publication [MOTION-UM003](#)

Logix5000™ Controllers Motion Instructions Reference Manual, publication [MOTION-RM002](#)

Integrated Motion on the EtherNet/IP network Reference Manual, publication [MOTION-RM003](#)

Numerics

- 11-Series I/O option module** 260
- 11-Series I/O option module with ATEX option module** 262
- 120V output wiring** 250
- 20-COMM adapters** 290
- 21G options**
 - additional selections 18, 19
 - required selections 18, 19
- 22-Series I/O option module** 271
- 2500 MCC style cabinet**
 - NEMA Type 12 316
 - NEMA/UL Type 1 316

A

- AC input power terminals**
 - wall mount frames 1...7 161
- AC line input**
 - circuit breakers 177
 - fuses 177
- airflow** 38
- ATEX option module** 262
- auxiliary braking method** 202
- auxiliary power supply option module** 283

B

- BACnet/IP option module** 289
- barrel lugs** 173
- bipolar input sources** 231
- blower assembly** 50
- braking method** 202
- bus bar and AC power rail locations**
 - DC input, floor mount drives 167
- bus bar locations**
 - AC input, frames 8...10 166
 - floor mount frame 8 option P14 wiring bay 168
 - floor mount frame 9 cabinet options bay 169
- bus bars**
 - connections on extruded bus bars 169

C

- cabinet options**
 - contactors 204
 - power disconnects 203
 - reactors 204
 - terminal block 204
 - thermostat control 204
 - transformer panel
 - fuses 205
 - thermostat 205
- cabinet options bay** 51
- cabinet options bay accessories** 210

cable

- acceptable for drive installations 157
- control pod 310
- for motor 300
- routing options
 - floor mount drives, frame 8...10 171
- shield 156
- catalog number explanation** 17, 18, 19
- CE conformity**
 - EMC Directive 24, 26
 - EN 60204 - PELV 278
 - EN 60204 - safety of machinery, electrical equipment 279
 - EN 60269-1 - fusing 178
 - EN 60950 - SELV 278
 - EN 61000-6-3 - EMC 28, 29
 - EN 61000-6-4 - EMC 28, 29
 - EN 61131-2 - Low Voltage 278
 - EN 61558-1 - power supplies/transformers 279
 - EN 61800-3 - EMC 24, 28, 29
 - EN 61800-5-1 - EMC 24
 - Low Voltage Directive 24, 25
- circuit breakers** 177
 - IEC 178
 - instantaneous trip 178
 - UL 178
- common mode capacitors** 221
- conductors**
 - multiple in parallel 174
 - multiple per phase 174
- contactors** 204
 - bypass contactor 203
 - input contactor 202
 - output contactor 203
- control pod** 234
 - cable 310
 - wiring connections 129
- control transformer voltage settings** 252
- control wiring**
 - frame 8 drives
 - current production drives 313
 - early production drives 311
 - frame 9 and 10 drives with cabinet options 314
- ControlNet option module** 286
- cycling power disconnect switches** 203

D

- DC input terminal**
 - descriptions
 - wall mount frames 5...7 165
 - locations
 - wall mount frames 5 163
 - wall mount frames 6 and 7 164
- DC link fuses** 177
- DC precharge board** 249
- debris screen** 50
- device ports** 258
- DeviceNet option module** 285

dimensions index

floor mount drives with cabinet options 90
wall and floor mount drives 59

door

interlock solenoid 249
switch 249

dual incremental encoder option module

293

dual-port EtherNet/IP option module 287**dynamic braking** 18, 19**E****earthing system**

TN or TT 27

EMI clamp 156**enclosure options**

floor mount frames 8...10 316

exhaust hood 50**external power supply** 280**extruded bus bars** 169**F****fiber-optic cables** 129**fiber-optic interface board** 246

P13 terminal designations 246

P14 terminal designations 247

filtering and CM cap configuration 18, 19**fuse types**

IEC 178

UL 178

fuses

AC line input 177

DC link 177

G**ground**

conductor 155
connections, redundant 156
for the motor cable shield 156
impedance 155
PE 155
RFI filter 156
scheme 155

grounding stud

wall mount frames 1...7 158

H**hardware ENABLE jumper** 243**hardware ENABLE jumper location**

PowerFlex 753 drive 244

PowerFlex 755 drive

floor mount frames 8...10 244

wall mount frames 1...7 244

wall mount frames 1...7 222

SAFETY enable 245

I**I/O terminal block specifications**

common DC input drive assembly 233

main control board 232

option modules 232

three-phase drive assembly 232

I/O wire recommendations 233**I/O wiring**

CE compliance 231

electrical safety of I/O circuits 231

insulation rating 231

SELV and PELV circuits 231

signal noise 231

use copper wire 231

input power terminals

AC

wall mount frames 1...7 161

DC

wall mount frames 5 163

wall mount frames 5...7 165

wall mount frames 6 and 7 164

input protection devices

400V AC and 540V DC - floor mount frames
8...10 183

400V AC and 540V DC - wall mount frames
1...7 179, 181, 185

480V AC and 650V DC - floor mount frames
8...10 189

480V AC and 650V DC - wall mount frames
1...7 187

600V AC and 810V DC - floor mount frames
8...10 193

600V AC and 810V DC - wall mount frames
3...7 191

690V AC and 932V DC - floor mount frames
8...10 196

690V AC and 932V DC - wall mount frames
6...7 195

instantaneous trip circuit breakers 178**integrated safety - safe torque off option
module** 279**interlock solenoid** 249**IP20, NEMA/UL Type 1**

debris screen 50

exhaust hood 50

IP54, NEMA 12 Cabinet

blower assembly 50

exhaust hood 50

J**jumper**

default power configurations

floor mount frames 8...10 222

wall mount frames 1...7 222

hardware ENABLE 243, 244

J4 input mode 239

PE-A and PE-B 222

PE-A1, PE-A2, and PE-B 222

recommended power configurations

floor mount frames 8...10 223

TB5 settings 251

jumper locations 223

- frames 8...10 PE-B common mode jumper 228
- PE-A1 MOV and PE-A2 input filter caps jumper 229
- wall mount frame 1 225
- wall mount frame 6 226
- wall mount frame 7 227
- wall mount frames 2...5 224

K**kit catalog numbers**

- DC bus connection (20-750-BUS1A-F8) 123
- DC bus terminals
 - frame 6 (20-750-DCBB1-F6) 161
 - frame 7 (20-750-DCBB1-F7) 161
- dual incremental encoder module (20-750-DENC-1) 282
- EMC (20-750-EMCx-Fx) 70
- EMC Core (20-750-EMCSSM1-F8) 282
- EMC plate (20-750-EMCx-Fx) 26
- exhaust hood (20-750-HOOD1-F8) 50
- flange adapter
 - frame 6 (20-750-FLNG4-F6) 73
 - frame 7 (20-750-FLNG4-F7) 76
- HIM (20-HIM-C6S) 72
- L-brackets (20-750-LBRKT1) 172
- NEMA Type 1
 - frame 6 (20-750-NEMA1-F6) 74
 - frame 7 (20-750-NEMA1-F7) 77
 - frames 1...5 (20-750-NEMA1-Fx) 68
- NEMA Type 1 (20-750-NEMA1-Fx) 27
- roll-out cart (20-750-CART1-F8) 137
- universal feedback module (20-750-UFB-1) 282

L**L-bracket**

- barrel lugs 173
- power terminals
 - floor mount frames 8...10 172

lift the drive

- enclosure code B and L 46
- enclosure code F 43
- enclosure code G 45
- enclosure code J, H, and Y 47
- enclosure code N 44
- lifting hardware 43
- Open Type (removed from cabinet) 45

lifting

- equipment types 41

M**main control board**

- PowerFlex 753 drives 238, 239
 - J4 input mode jumper 239
 - TB2 terminal designations 240
 - TB3 terminal designations 240
- PowerFlex 755 drives
 - floor mount frames 8...10 242, 243
 - TB1 I/O terminal designations 242

- wall mount frames 1...7 241

main control I/O board

- wiring examples
 - PowerFlex 753 drives 255

motor cables 300**motor feedback**

- device 300
- resolution 300
- wiring examples 300

motor overload protection 198**mounting clearances**

- floor mount 38
- wall mount 38

mounting hardware 42**MOV** 221**multiple conductors**

- in parallel 174
- per phase 174

N**nameplate** 20, 23**NEMA Type 12 – 2500 MCC style cabinet** 316**NEMA/UL Type 1 – 2500 MCC style cabinet** 316**O****option module ports** 259**option modules**

- 11-Series I/O option module 260
- 11-Series I/O option module with ATEX option module 262
- 20-COMM adapters 290
- 22-Series I/O option module 271
- ATEX option module 262
- auxiliary power supply option module 283
- BACnet/IP option module 289
- ControlNet option module 286
- DeviceNet option module 285
- dual incremental encoder option module 293
- dual-port EtherNet/IP option module 287
- for integrated motion system 317
- integrated safety - safe torque off option module 279
- PROFIBUS option module 288
- safe speed monitor option module 281
- safe torque off option module 278
- safety option modules 233
- single incremental encoder option module 291
- universal feedback option module 297

option P3 or P5 disconnect switch

- wiring clearance 170

options bay accessories 210

- floor mount frame 8
 - 400V, 50 Hz input - code P12 output contactor data 219
 - 480V, 60 Hz input - code P12 output contactor data 219
 - 600V, 50 Hz input - code P12 output contactor data 220

690V, 60 Hz input - code P12 output contactor data 220
 option P3 or P5 disconnect and option P11 input contactor 212
 option P3 or P5 disconnect and option P12 output contactor 218
 option P3 or P5 disconnect, option P11 input contactor, and option L1 or L3 input reactor 213
 option P3 or P5 disconnect, option P11 input contactor, and option L2 or L4 output reactor 214
 option P3 or P5 disconnect, option P12 output contactor, and option L2 or L4 output reactor 215
 option P3 or P5 disconnect 211
 option P3 or P5 disconnect and option L1 or L3 input reactor 216
 option P3 or P5 disconnect and option L2 or L4 output reactor 217

output contactor data
 400V, 50 Hz input 219
 480V, 60 Hz input 219
 600V, 50 Hz input 220
 690V, 60 Hz input 220

overload protection
 motor 198

P

PE grounding stud
 wall mount frames 1...7 158

PE, safety ground 155

ports
 device 258
 option modules 259

power block and termination point locations
 wall mount frames 1...5 159
 wall mount frames 6 and 7 160

power disconnect options
 400V, 50 Hz input
 molded case disconnect switch 206
 thermal magnetic circuit breaker 206
 480V, 60 Hz input
 molded case disconnect switch 207
 thermal magnetic circuit breaker 207
 600V, 50 Hz input
 molded case disconnect switch 208
 thermal magnetic circuit breaker 208
 690V, 60 Hz input
 molded case disconnect switch 209
 thermal magnetic circuit breaker 209

power disconnects 203

power jumper
 locations
 wall mount frame 1 225
 wall mount frame 6 226
 wall mount frame 7 227
 wall mount frames 2...5 224

power supply
 external 280

power terminals
 L-bracket

floor mount frames 8...10 172
 terminal blocks
 frames 1...7 161

power wiring connections
 access 126, 135

precharge board 249

PROFIBUS option module 288

R

reactors 204

RF emission compliance
 400V/480V input drives 28
 600V/690V input drives 29

RFI filter 156

roll-out cart 137
 adjust height 139
 adjust reach 145
 height spacers 140
 precautions for use 151
 tip-over hazard 149, 151

S

safe speed monitor option module 281

safe torque off option module 278

safety ground
 ground point 155
 PE 155

SAFETY jumper 245

SAFETY jumper location
 PowerFlex 753 drives 245
 PowerFlex 755 drives 245

safety option modules
 safe speed monitoring 245
 safe torque off 245

shield terminal 156

short circuit current ratings
 400V AC input 198
 480V AC input 199
 600V AC input 201
 690V AC input 202
 actual 198
 max 198

shunt trip 248

signal noise 231

single incremental encoder option module
 291

storage
 atmosphere 39
 temperature 39

T

temperature
 storage 39
 surrounding air 39

terminal block
 control wiring
 floor mount frame 8 (current drives)
 313

- floor mount frame 8 (early drives) 311
- floor mount frame 9 and 10 314
- I/O specifications
 - common DC input 233
 - main control board 232
 - option modules 232
 - three-phase drive assembly 232
- power
 - wall mount frames 1...5 157
 - wall mount frames 6 and 7 158
- terminal block locations**
 - common DC input
 - wall mount frames 5 163
 - wall mount frames 6 and 7 164
 - power
 - wall mount frames 1...5 159
 - wall mount frames 6 and 7 160
- thermostat control** 204
- troubleshooting**
 - start-up difficulties 155

U

- uninterruptible power supply** 253
- universal feedback option module** 297
- UPS** 253

W

- weights**
 - components 42
 - drives 41
- wire harness**
 - cabinet fan/cabinet blower 134
 - control and power 133
 - control power input 134
 - DC bus 133
 - digital I/O wiring 134
 - power output 134
- wiring bay** 51
- wiring examples**
 - 11-Series I/O option module 263
 - 22-Series I/O option module 273
 - dual incremental encoder option module
 - 296
 - main control I/O board
 - PowerFlex 753 drives 255
 - motor feedback 300
 - single incremental encoder 292
 - single incremental encoder option module
 - 294

Notes:

Rockwell Automation Support

Use the following resources to access support information.

Technical Support Center	Knowledgebase Articles, How-to Videos, FAQs, Chat, User Forums, and Product Notification Updates.	https://rockwellautomation.custhelp.com/
Local Technical Support Phone Numbers	Locate the phone number for your country.	http://www.rockwellautomation.com/global/support/get-support-now.page
Direct Dial Codes	Find the Direct Dial Code for your product. Use the code to route your call directly to a technical support engineer.	http://www.rockwellautomation.com/global/support/direct-dial.page
Literature Library	Installation Instructions, Manuals, Brochures, and Technical Data.	http://www.rockwellautomation.com/global/literature-library/overview.page
Product Compatibility and Download Center (PCDC)	Get help determining how products interact, check features and capabilities, and find associated firmware.	http://www.rockwellautomation.com/global/support/pcdc.page

Documentation Feedback

Your comments will help us serve your documentation needs better. If you have any suggestions on how to improve this document, complete the How Are We Doing? form at http://literature.rockwellautomation.com/idc/groups/literature/documents/du/ra-du002_-en-e.pdf.

Rockwell Automation maintains current product environmental information on its website at <http://www.rockwellautomation.com/rockwellautomation/about-us/sustainability-ethics/product-environmental-compliance.page>.

Allen-Bradley, ControlLogix, DeviceLogix, DPI, Kinetix, MP-Series, PowerFlex, Rockwell Automation, Rockwell Software, RSLogix 5000, and SCANport are trademarks of Rockwell Automation, Inc.

Trademarks not belonging to Rockwell Automation are property of their respective companies.

Rockwell Otomasyon Ticaret A.Ş., Kar Plaza İş Merkezi E Blok Kat:6 34752 İçerenköy, İstanbul, Tel: +90 (216) 5698400

www.rockwellautomation.com

Power, Control and Information Solutions Headquarters

Americas: Rockwell Automation, 1201 South Second Street, Milwaukee, WI 53204-2496 USA, Tel: (1) 414.382.2000, Fax: (1) 414.382.4444

Europe/Middle East/Africa: Rockwell Automation NV, Pegasus Park, De Kleetlaan 12a, 1831 Diegem, Belgium, Tel: (32) 2 663 0600, Fax: (32) 2 663 0640

Asia Pacific: Rockwell Automation, Level 14, Core F, Cyberport 3, 100 Cyberport Road, Hong Kong, Tel: (852) 2887 4788, Fax: (852) 2508 1846



PN-448265

Publication 750-IN001Q-EN-P - October 2017

Supersedes Publication 750-IN001P-EN-P - April 2017

Copyright © 2017 Rockwell Automation, Inc. All rights reserved. Printed in the U.S.A.