

PanelView Standard Terminal Specifications

Catalog Numbers 2711



Topic	Page
PanelView Standard Terminals	1
Environmental Specifications	2
Certifications	3
Technical Specifications	4
Dimension Drawings	8
Product Selection	10
Accessories	13
PanelBuilder32 Software	15
Cables	16
Additional Resources	22

PanelView Standard Terminals

The PanelView Standard terminals feature pixel graphics capabilities and functionality in color, grayscale, and monochrome displays. These rugged electronic operator interface solutions are available in a variety of sizes and configurations to meet specific application requirements. All use common development software to simplify programming and improve operator productivity.

These terminals communicate with PLC and SLC controllers over EtherNet/IP, DeviceNet, ControlNet, DH-485, DH+, and remote I/O networks, or by using serial communication.

Other features supported by the PanelView Standard line include advanced alarm handling, screen security, analog gauges, ATA memory card, universal language support, and online printing for more intuitive operator control.

Environmental Specifications

This table lists the environmental specifications for the family of PanelView Standard terminals.

Table 1 - Environmental Specifications- PanelView Standard Terminals

Attribute	2711 PanelView Standard 300, 300 Micro, 550, 1000
Temperature, operating	0...55 °C (32...131 °F) 600 color: 0...50 °C (32...122 °F)
Temperature, storage	
550	-20...70 °C (-4...158 °F)
300 Micro	-20...85 °C (-4...185 °F)
300, 600, 1000	-25...70 °C (-13...158 °F)
Heat dissipation	
300 Micro	2.5 W (8.5 BTU/hr)
300	6 W (13 BTU/hr)
550	20 W (69 BTU/hr)
600 keypad	32 W (107 BTU/hr)
600 touch	17 W (57.7 BTU/hr)
1000	39 W (132 BTU/hr)
Relative humidity	
300 Micro, 600 keypad, 1000	5...95% noncondensing at 0...55 °C (32...131 °F)
300, 550	5...95% noncondensing at 0...30 °C (32...86 °F)
600 touch	5...95% noncondensing at 0...40 °C (32...104 °F)
Vibration operating	2 g up to 2000 Hz
Altitude, operating	2000 m (6561 ft)
Shock, operating/nonoperating	
300 Micro, 550,	30 g/50 g
300, 600, 1000	15 g/30 g
Enclosure ratings	NEMA Type 12, 13, 4X (indoor use only), IEC IP54, IP65
Airborne contaminants	ANSI/ISA S71.04 - 1985 Severity Level G3
300 conformal-coated only	EN60654-4: 1998 Class 3

Certifications

This table lists the certifications for the family of PanelView Standard terminals.

Table 2 - Certifications - PanelView Standard Terminals

Certification ⁽¹⁾	300 Micro	300	550	600	1000
Emissions (Class A: Industrial EN50081-2:1993)	•	•	•	•	•
Immunity (Industrial) EN61000-6-2:1999	•	• (2)	•	•	•
Immunity (Industrial) EN50082-212:1995 ⁽³⁾	•	•	•	•	•
Programmable Controllers Equipment Requirements and Tests EN61131-2:1995		•	•	•	•
Low Voltage Directive (Safety Sections of EN61131-1)			•	• (4)	•
UL508	•	•	•	•	•
UL1604 Class 1, Div 2, Groups A, B, C, D, T4	•	•	• (5) (6)	•	•
UL2279 (IEC79-15) Class 1, Zone 2, Groups IIC, T4				•	•
CSA 22.2, No. 142	•	•	•	•	•
CSA 22.2, No. 213 Class 1, Div 2, Groups A, B, C, D, T4	•	• (5) (6)	•	•	•
EU Batteries Directive, 2006/66/EC	•	•	•	•	•

(1) When marked. See the Product Certification link at <http://www.ab.com> for Declarations of Conformity, Certificates, and other certification details.

(2) Meets standard as of April 2002.

(3) Standard applies to products manufactured prior to April 2002.

(4) Does not apply to 600 touch-screen only terminals.

(5) 550 (series H or later) or 550 touch-screen only (series B or later).

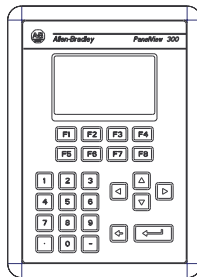
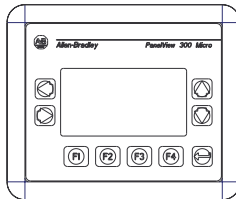
(6) 550 (series G or earlier) and 550 touch-screen (series A) have a temperature code rating of T2.

Technical Specifications

Tables 3...6 summarize the technical specifications for PanelView Standard terminals.

PanelView Standard 300 Micro and 300 Terminals

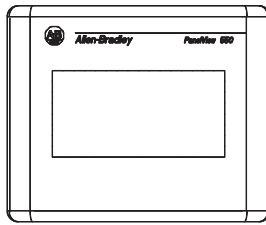
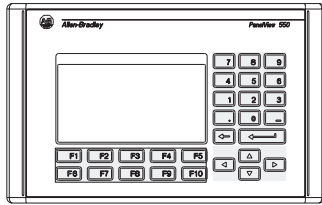
Table 3 - Technical Specifications - PanelView Standard 300 Micro/300 Terminals



Attribute	PanelView 300 Micro 2711-M3A18L1, 2711-M3A19L1	PanelView 300 2711-K3A2L1, 2711-K3A5L1, 2711-K3A5L1K, 2711-K3A10L1, 2711-K3A17L1
Operator input	Keypad	Keypad
Display type	Monochrome transfective LCD with LED backlight	
Display area (WxH)	73 x 42 mm (2.87 x 1.67 in.)	
Resolution	128 x 64	
Backlight	100,000 hr LED backlight life	
Touch screen	—	—
Keypad description	Stainless steel domed membrane Navigation, function keys Actuation: 2 million presses	
Keypad function keys	4 function keys (F1...F4)	8 function keys (F1...F8)
Real-time clock	Battery-backed clock timestamps critical data	
Battery	Not replaceable	
Application memory	170 KB application runtime 240 KB nonvolatile memory (application objects plus text and bitmaps)	
ATA memory card	Not supported	Supported
Software	PanelBuilder32 software, runs on a personal computer	
Communication ports	RS-232 (DH-485) RS-232 (DF1)	DeviceNet DH-485 RS-232 (DH-485) RS-232 (DF1)
RS-232 printer port	—	1200, 2400, 9600, 19,200 Kbps
Input voltage, DC	11...30V DC (24V DC nom)	18...32V DC (24V DC nom)
Power consumption, DC	25 W max (0.105 A at 24V DC)	10 W max (0.42 A at 24V DC)
Input voltage, AC	—	—
Power consumption, AC	—	—
Weight, approx.	284 g (10 oz.)	673 g (1.48 lb)
Dimensions (HxWxD), approx.	133 x 111 x 48 mm 5.23 x 4.38 x 1.87 in.	197 x 140 x 82 mm 7.76 x 5.53 x 3.21 in.

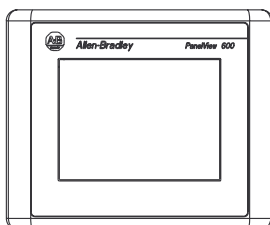
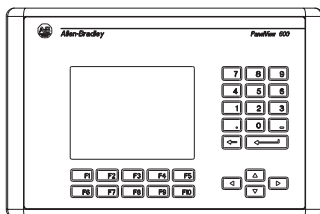
PanelView Standard 550 Terminals

Table 4 - Technical Specifications - PanelView Standard 550 Terminals



Attribute	PanelView 550 2711-K5A, 2711-B5A	PanelView 550 2711-T5A
Operator input	Keypad or key/touch	Touch screen
Display type	Monochrome LCD blue mode display	
Display area (WxH)	120 x 60 mm (4.75 x 2.38 in.)	
Resolution	256 x 128	
Backlight	100,000 hr LED backlight life	
Touch screen	Touch cells: 128 Actuation: 1 million presses	
Keypad description	Stainless-steel domed membrane Keypad, navigation, function keys Actuation: 1 million presses	—
Keypad function keys	10 function keys (F1...F10)	—
Real-time clock	Battery-backed clock timestamps critical data	
Battery	Field replaceable	
Application memory	170 KB application runtime 240 KB nonvolatile RAM (application objects plus text and bitmaps)	
ATA memory card	Supported	
Software	PanelBuilder32 software, runs on a personal computer	
Communication ports	EtherNet/IP, DeviceNet, ControlNet, DH+, Remote I/O, DH-485, RS-232 (DH-485), RS-232 (DF1)	
RS-232 printer port	1200, 2400, 9600, 19,200 Kbps	
Input voltage, DC	18...30V DC (24V DC nom)	18...32V DC (24V DC nom)
Power consumption, DC	18 W max (0.75 A at 24V DC)	18 W max (0.75 A at 24V DC)
Input voltage, AC	85...264V AC, 47...63 Hz	—
Power consumption, AC	45VA max	—
Weight, approx.	1.2 kg (2.7 lb)	0.93 kg (2.1 lb)
Dimensions (HxWxD), approx.	167 x 266 x 106 mm 6.57 x 10.47 x 4.17 in.	152 x 185 x 82 mm 6.0 x 7.28 x 3.2 in.

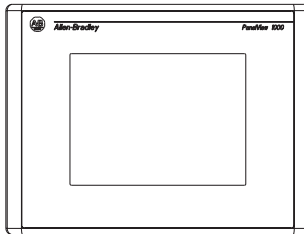
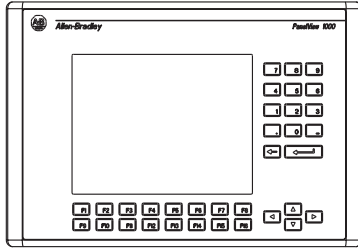
PanelView Standard 600 Terminals

Table 5 - Technical Specifications - PanelView Standard 600 Terminals


Attribute	PanelView 600 Color 2711-K6C, 2711-B6C	PanelView 600 Color 2711-T6C
Operator input	Keypad or key/touch	Keypad
Display type	Color active matrix TFT	
Display area (WxH)	115 x 86 mm (4.54 x 3.4 in.)	115 x 87 mm (4.54 x 3.43 in.)
Resolution	320 x 234	320 x 240
Backlight	Field replaceable 50,000 hr 1/2 life at 25 °C (77 °F)	
Touch screen	Touch cells: 128 Actuation: 1 million presses	
Keypad description	Stainless steel domed membrane Keypad, navigation, function keys Actuation: 2 million presses	—
Keypad function keys	10 function keys (F1...F10)	—
Real-time clock	Battery-backed clock timestamps critical data	
Battery	Field replaceable	—
Application memory	190 KB application runtime 240 KB nonvolatile memory (application objects plus text and bitmaps)	
ATA memory card	Not supported	Supported
Software	PanelBuilder32 software, runs on a personal computer	
Communication ports	EtherNet/IP, DeviceNet, ControlNet, DH+, Remote I/O, DH-485, RS-232 (DH-485), RS-232 (DF1)	
RS-232 printer port	1200, 2400, 9600, 19,200 Kbps	—
Input voltage, DC	18...32V DC (24V DC nom)	
Power consumption, DC	34 W max (1.9 A at 24V DC)	24 W max (1.0 A at 24V DC)
Input voltage, AC	85...264V AC, 47...63 Hz	
Power consumption, AC	60VA max	
Weight, approx.	2.0 kg (4.4 lb)	1.0 kg (2.3 lb)
Dimensions (HxWxD), approx.	192 x 290 x 116 mm 7.55 x 11.40 x 4.57 in.	152 x 185 x 96 mm 6.0 x 7.28 x 3.80 in.

PanelView Standard 1000 Terminals

Table 6 - Technical Specifications - PanelView Standard 1000 Terminals



Attribute	PanelView 1000 Grayscale 2711-K10G, 2711-B10G	PanelView 1000 Color 2711-K10C, 2711-T10C
Operator Input	Keypad or touch screen	Keypad or touch screen
Display type	Black/white monochrome	Color active matrix TFT
Display area (WxH)	211 x 158 mm (8.3 x 6.2 in.)	
Resolution	640 x 480	
Backlight	field replaceable 50,000 hr 1/2 life at 25 °C (77 °F)	
Touch screen	Touch cells: 384 Actuation: 1 million presses	
Keypad description	Stainless-steel domed membrane Keypad, navigation, function keys Actuation: 1 million presses	—
Keypad function keys	16 function keys (F1...F16)	—
Real-time clock	Battery-backed clock timestamps critical data	
Battery	Field replaceable	
Application memory	310 KB application runtime 1008 KB nonvolatile memory (application objects plus text and bitmaps)	
ATA memory card	Supported	
Software	PanelBuilder32 software, runs on a personal computer	
Communication ports	EtherNet/IP, DeviceNet, ControlNet, DH+, Remote I/O, DH-485, RS-232 (DH-485), RS-232 (DF1)	
RS-232 printer port	1200, 2400, 9600, 19,200 Kbps	
Input voltage, DC	18...32V DC (24V DC nom)	
Power consumption, DC	24 W max (1.0 A at 24V DC)	
Input voltage, AC	85...264V AC, 47...63 Hz	
Power consumption, AC	55VA max	
Weight, approx.	Keypad: 3.3 kg (7.2 lb) Touch: 3.2 kg (7.0 lb)	Keypad: 3.7 kg (8.2 lb) Touch: 3.6 kg (7.9 lb)
Dimensions (HxWxD), approx.	Keypad: 282 x 423 x 112 mm 11.11 x 16.64 x 4.40 in. Touch: 282 x 370 x 112 mm 11.11 x 14.58 x 4.40 in.	

Dimension Drawings

Figures 1...5 provide dimension drawings for the PanelView Standard family of terminals.

Figure 1 - Dimensions - PanelView 300 Micro Terminal

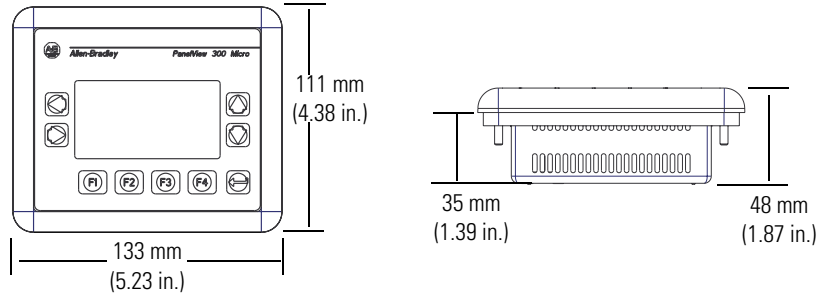


Figure 2 - Dimensions - PanelView 300 Terminal

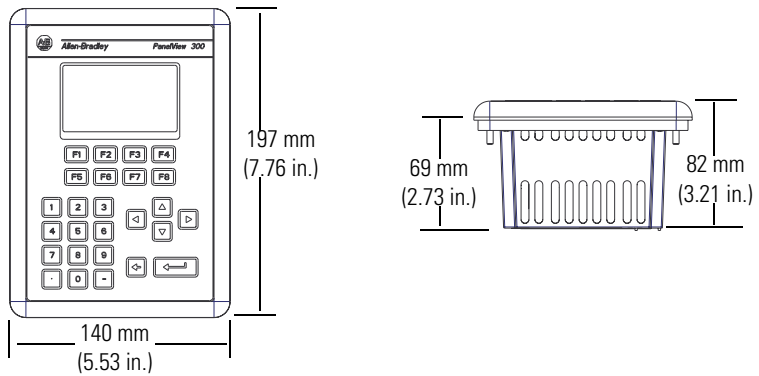


Figure 3 - Dimensions - PanelView 550 Terminals

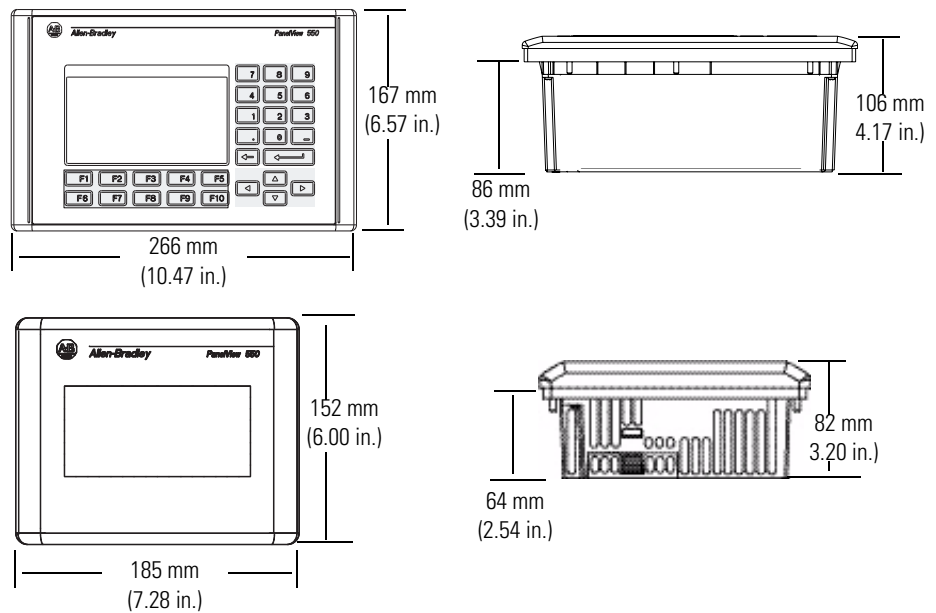


Figure 4 - Dimensions - PanelView 600 Terminals

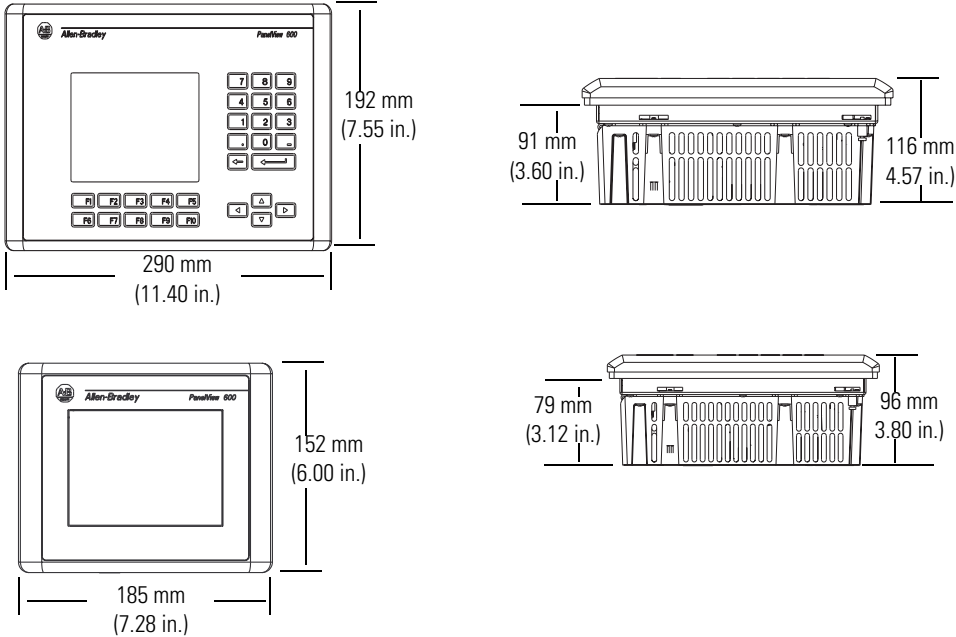
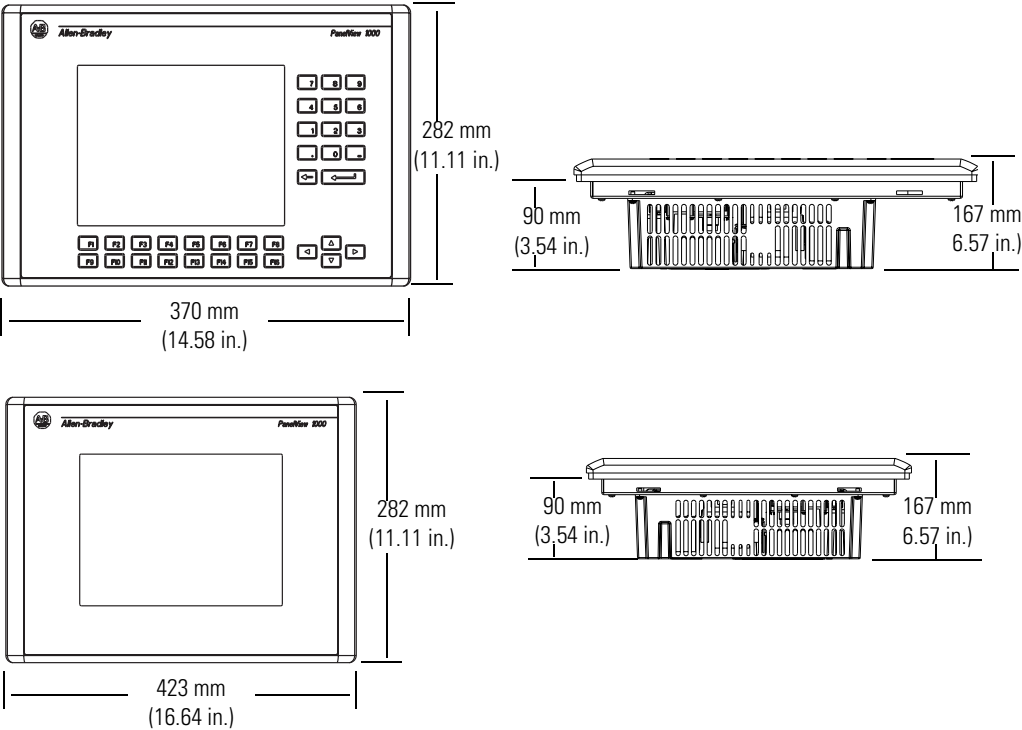


Figure 5 - Dimensions - PanelView 1000 Terminals



Product Selection

Tables 7...11 provide a list of catalog numbers for the PanelView Standard terminals.

Table 7 - PanelView 300 Monochrome Terminals

Cat. No.	Input	Display		Communication	Power	Memory Nonvolatile/RAM
		Size	Type			
2711-K3A2L1 ⁽¹⁾	Keypad	3 in.	Monochrome	DH-485	DC	240 KB/170 KB
2711-K3A5L1 ⁽¹⁾	Keypad			RS-232 (DH-485)	DC	240 KB/170 KB
2711-K3A5L1K ⁽¹⁾⁽²⁾	Keypad			RS-232 (DH-485)	DC	240 KB/170 KB
2711-K3A10L1	Keypad			DeviceNet and RS-232	DC	240 KB/170 KB
2711-K3A17L1 ⁽³⁾	Keypad			RS-232 (DF1)	DC	240 KB/170 KB

(1) Terminals with a DH-485 communication port require application uploads and downloads through the communication port. The RS-232 printer port is only for printing only.

(2) K at the end of a catalog number means the terminal is conformal-coated.

(3) This terminal does not have an RS-232 printer port. Use the communication port to download or upload application files.

Table 8 - PanelView 300 Micro Terminals

Cat. No. ⁽¹⁾	Input	Display		Communication	Power	Nonvolatile Memory
		Size	Type			
2711-M3A18L1	Keypad	3 in.	Monochrome	RS-232 (DF1) 8-pin mini DIN	DC	240 KB
2711-M3A19L1	Keypad			RS-232 (DH-485) 8-pin mini DIN	DC	240 KB

(1) These terminals do not have an RS-232 printer port. Use the communication port to upload and download application files.

Table 9 - PanelView Standard 600 Terminals

Cat. No.			Display		Communication Ports		Memory Nonvolatile/RAM
Keypad ⁽¹⁾	Touch ⁽¹⁾	Keypad/Touch ⁽¹⁾	Size	Type	Comm	RS-232 Print	
2711-K6C2	2711-T6C2L1	2711-B6C2	5 in.	Color	DH-485 ⁽²⁾	No	240 KB/170 KB
2711-K6C3	2711-T6C3L1	2711-B6C3			DH-485 ⁽²⁾	Yes	240 KB/170 KB
2711-K6C5	2711-T6C5L1	2711-B6C5			RS-232 (DH-485) ⁽²⁾	No	240 KB/170 KB
2711-K6C9	2711-T6C9L1	2711-B6C9			RS-232 (DH-485) ⁽²⁾	Yes	240 KB/170 KB
2711-K6C1	2711-T6C1L1	2711-B6C1			Remote I/O	Yes	240 KB/170 KB
2711-K6C8	2711-T6C8L1	2711-B6C8			DH+	Yes	240 KB/170 KB
2711-K6C10	2711-T6C10L1	2711-B6C10			DeviceNet	Yes	240 KB/170 KB
2711-K6C15	2711-T6C15L1	2711-B6C15			ControlNet	Yes	240 KB/170 KB
2711-K6C16	2711-T6C16L1	2711-B6C16			RS-232 (DF1)	Yes (download also)	240 KB/170 KB
2711-K6C20	2711-T6C20L1	2711-B6C20			EtherNet/IP	Yes	240 KB/170 KB

(1) Touch terminals support DC power only as indicated by L1 at the end of the catalog number. To order a keypad or keypad/touch terminal with DC power, add L1 to the cat. no., for example, 2711-K6C3L1.

(2) Terminals with DH-485 communication require that you upload or download applications by using the communication port. The RS-232 port on these terminals is for printing only.

Table 10 - PanelView Standard 550 Terminals

Cat. No.			Display		Communication Ports		Memory Nonvolatile/RAM
Keypad ^{(1) (2) (3)}	Touch ⁽¹⁾	Keypad/Touch ⁽¹⁾⁽²⁾⁽³⁾	Size	Type	Comm	RS-232 Print	
2711-K5A2	2711-T5A2L1	2711-B5A2	5.5 in.	Monochrome	DH-485 ⁽⁴⁾	No	240 KB/170 KB
2711-K5A3	2711-T5A3L1	2711-B5A3			DH-485 ⁽⁴⁾	Yes	240 KB/170 KB
2711-K5A5	2711-T5A5L1	2711-B5A5			RS-232 (DH-485) ⁽⁴⁾	No	240 KB/170 KB
2711-K5A9	2711-T5A9L1	2711-B5A9			RS-232 (DH-485) ⁽⁴⁾	Yes	240 KB/170 KB
2711-K5A1	2711-T5A1L1	2711-B5A1			Remote I/O	Yes	240 KB/170 KB
2711-K5A8	2711-T5A8L1	2711-B5A8			DH+	Yes	240 KB/170 KB
2711-K5A10	2711-T5A10L1	2711-B5A10			DeviceNet	Yes	240 KB/170 KB
2711-K5A15	2711-T5A15L1	2711-B5A15			ControlNet	Yes	240 KB/170 KB
2711-K5A16	2711-T5A16L1	2711-B5A16			RS-232 (DF1)	Yes (download also)	240 KB/170 KB
2711-K5A20	2711-T5A20L1	2711-B5A20			EtherNet/IP	Yes	240 KB/170 KB

(1) Touch terminals support DC power only as indicated by L1 at the end of the catalog number. To order a keypad or keypad/touch terminal with DC power, add L1 to the cat. no., for example, 2711-K5A10L1.

(2) Add L2 to the cat. no. of keypad or keypad/touch terminals to order a stainless steel terminal with AC power, for example, 2711-K5A5L2.

(3) Add L3 to the cat. no. of keypad or keypad/touch terminals to order a stainless steel terminal with DC power, for example, 2711-BFA10L3.

(4) Terminals with DH-485 communication require that you upload or download applications by using the communication port. The RS-232 port on these terminals is for printing only.

Table 11 - PanelView Standard 1000 Terminals

Cat. No.		Display		Communication Ports		Input Power	Memory Nonvolatile/RAM
Keypad ⁽¹⁾	Touch ⁽¹⁾	Size	Type	Comm	RS-232 Print		
2711-K10C3	2711-T10C3	10 in.	Color	DH-485 ⁽²⁾	Yes	AC	1008 KB/310 KB
2711-K10C9	2711-T10C9			RS-232 (DH-485) ⁽²⁾	Yes	AC	1008 KB/310 KB
2711-K10C1	2711-T10C1			Remote I/O	Yes	AC	1008 KB/310 KB
2711-K10C8	2711-T10C8			DH+	Yes	AC	1008 KB/310 KB
2711-K10C10	2711-T10C10			DeviceNet	Yes	AC	1008 KB/310 KB
2711-K10C15	2711-T10C15			ControlNet	Yes	AC	1008 KB/310 KB
2711-K10C16	2711-T10C16			RS-232 (DF1)	Yes (download also)	AC	1008 KB/310 KB
2711-K10C20	2711-T10C20			EtherNet/IP	Yes	AC	1008 KB/310 KB
2711-K10G3	2711-T10G3	10 in.	Grayscale	DH-485 ⁽²⁾	Yes	AC	1008 KB/310 KB
2711-K10G9	2711-T10G9			RS-232 (DH-485) ⁽²⁾	Yes	AC	1008 KB/310 KB
2711-K10G1	2711-T10G1			Remote I/O	Yes	AC	1008 KB/310 KB
2711-K10G8	2711-T10G8			DH+	Yes	AC	1008 KB/310 KB
2711-K10G10	2711-T10G10			DeviceNet	Yes	AC	1008 KB/310 KB
2711-K10G15	2711-T10G15			ControlNet	Yes	AC	1008 KB/310 KB
2711-K10G16	2711-T10G16			RS-232 (DF1)	Yes (download also)	AC	1008 KB/310 KB
2711-K10G20	2711-T10G20			EtherNet/IP	Yes	AC	1008 KB/310 KB

(1) Add L1 to the end of a cat. no. to order a terminal with DC power, for example, 2711-K10C3L1 or 2711-K10G3L1.

(2) Terminals with DH-485 communication require that you upload or download applications by using the communication port. The RS-232 port on these terminals is for printing only.

Accessories

Tables 12... 19 list accessories available for PanelView Standard terminals.

Table 12 - ATA Memory Cards

Cat. No.	Description
2711-NM13	2 MB flash memory card
2711-NM14	4 MB flash memory card
2711-NM15	10 MB flash memory card
2711-NM232	32 MB flash memory card
2711-NMCC	Memory card retainer for PanelView Standard 550, 600, 1000 keypad, or keypad and touch terminals
2711-NMCD	Memory card retainer for PanelView Standard 550 touch-screen only terminals
2711-NMCE	Memory card retainer for PanelView Standard 300 and 600 touch-screen only terminals

Table 13 - Function Key Legend Inserts

Cat. No.	PanelView Standard Terminal Model ⁽¹⁾	Description
2711-NF1	550	Function key legend strips
2711-NF4	600	Function key legend strips
2711-NF6	1000	Function key legend strips
2711-NF7	300	Function key legend strips

(1) Applies to keypad and keypad/touch-screen terminals.

Table 14 - Antiglare Overlays

Cat. No. ⁽¹⁾	PanelView Standard Terminal Model	Input Type		
		Keypad	Touch	Key/Touch
2711-NV4	550	•		•
2711-NV4T	550 and 600		•	
2711-NV5	600	•		•
2711-NV6K	1000/1000e	•		
2711-NV6T	1000/1000e		•	
2711-NV7K	1400	•		
2711-NV7T	1400		•	
2711-NV8	300	•		

(1) Three overlays are shipped with each catalog number.

Table 15 - Backlight Replacements

Cat. No.	PanelView Standard Terminal Model	Series
2711-NL1	550	A...G
2711-NL3	600 keypad or keypad/touch	A, B
2711-NL5	600 keypad or keypad/touch	C

Table 15 - Backlight Replacements

Cat. No.	PanelView Standard Terminal Model	Series
2711-NL6	1000 color	B
	1000e color	D
2711-NL7	1000 color	C
2711-NL9	1000 color	D, E
	1000 grayscale	C, D
2711-NL10	1000 color	F
	1000 grayscale	E

Table 16 - Real-time Clock Replacements

Cat. No.	Description	PanelView Standard Terminal Model	Series
2711-NB3	Real-time clock replacement	550 keypad and keypad/touch	E, F
		600 keypad and keypad/touch	A, B
		1000 keypad and touch	A, B
		1400	
2711-NB4	Real-time clock replacement	300 keypad	8
		550 or 600 touch only	
		550 keypad or keypad/touch	G and later
		600 keypad or keypad/touch	C and later
		1000 keypad or touch	C and later

Table 17 - Mounting Hardware

Cat. No.	Description
2711-NP2	Replacement mounting clips for PanelView 600, 1000, and 1000e touch-screen and keypad terminals

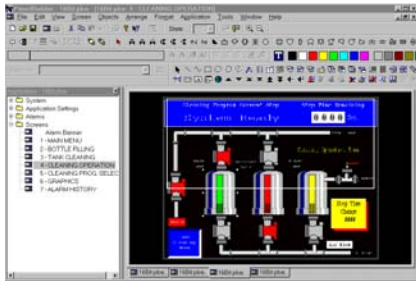
Table 18 - Power Supply and Terminal Block

Cat. No.	Description
1747-NP1	105...132V AC wallmount power supply provides power to 1747-PIC converter when an SLC controller or network is not connected. Separate operating/programming cable required.
2711-TBDC	DC power terminal block for PanelView Micro 300, and PanelView 400 and 600 terminals. Quantity of 10.

Table 19 - Interface Modules

Cat. No.	Description
1747-PIC	Personal computer interface converter converts RS-232 signals to/from DH-485 signals
1747-AIC	Isolated link coupler for DH-485 network
1761-NET-AIC	Micrologix advanced interface converter module

PanelBuilder32 Software



PanelBuilder32 software supports the entire family of PanelView Standard terminals, allowing for easy conversion and reuse of existing applications. This 32-bit software package runs on a Microsoft Windows 2000, ME, XP, or Vista operating system.

Table 20 - PanelBuilder32 Software

Cat. No.	Description	Language
2711-ND3	PanelBuilder32 configuration software for PanelView Standard terminals.	English
2711-ND3DE	PanelBuilder32 configuration software for PanelView Standard terminals.	German
2711-ND3ES	PanelBuilder32 configuration software for PanelView Standard terminals.	Spanish
2711-ND3FR	PanelBuilder32 configuration software for PanelView Standard terminals.	French
2711-ND3CN	PanelBuilder32 configuration software for PanelView Standard terminals.	Chinese

PanelBuilder32 features an intuitive development environment to simplify application design and reduce development time. Application screens are configured using standard tools, objects, graphics, and imported bitmaps. Time-saving advantages include cut/copy/paste and tag import/export capabilities in and between PanelView applications. In addition, multiple applications can be open at the same time.

Application files can be uploaded or downloaded directly between the computer and terminal, over the network, via a pass-through or gateway connection, or using an ATA memory card.

Table 21 - Software Features

Push Buttons/Selector Switches	Screen Selectors	Data Entry
<ul style="list-style-type: none"> • Momentary NO, NC • Maintained • Latched • Multistate • Control List Selector 	<ul style="list-style-type: none"> • Screen Security • GoTo Screen Button • Previous Screen Button • Screen Selector • GoTo Config Screen Button 	<ul style="list-style-type: none"> • Numeric Keypad • Cursor Point for Numeric Entry • Keypad Enable for Numeric Entry • Cursor Point for ASCII Entry • Keypad Enable for ASCII Entry
Information Displays	Alarm Diagnostics	Graphics
<ul style="list-style-type: none"> • Analog Gauges • Bar Graph • Message Display • Multistate/List Indicator • Numeric Data Display • Time and Date Displays • ASCII Display • Print Only Messages 	<ul style="list-style-type: none"> • Alarm Banner • Alarm List - Active, History • Clear Alarm List Button • Print Alarm List Button • Acknowledge Alarm Button • Clear Alarm Button • Print Alarm Button • Acknowledge All Alarms Button 	<ul style="list-style-type: none"> • Line/Connected Line • Rectangle/Circle/Ellipse • Free Drawings • ISA Symbols • Custom Graphics • Text • Linear/Circular Scale • Resizable Bitmaps

Cables

This table summarizes cables and interface modules used by the PanelView Standard terminals.

Table 22 - Cables

Cat. No.	Description	Length
1747-PIC	Personal computer interface converter - converts RS-232 signals to/from DH-485 signals	—
1747-C10	RS-232 operating/program cable, 9-pin D-shell to 9-pin D-shell 2711-xxA2, 2711-xxA3, 2711-xxC2, 2711-xxG3	1.8 m (6 ft)
1747-C11		0.3 m (1 ft)
1747-C20		6 m (20 ft)
2706-NC13 ⁽¹⁾	RS-232 operating/program cable, 9-pin D-shell to 9-pin D-shell	3 m (10 ft)
2711-NC13 ⁽¹⁾	RS-232 operating/program cable, 9-pin D-shell to 9-pin D-shell	5 m (16.4 ft)
2711-NC14 ⁽¹⁾	RS-232 operating/program cable, 9-pin D-shell to 9-pin D-shell	10 m (32.7 ft)
2711-NC17	Remote RS-232 cable assembly, 9-pin D-shell to 9-pin D-shell Provides a 9-pin RS-232 port assembly for remote serial port access. For PanelView Standard, PanelView 1000e/1400e series F and later terminals.	3 m (10 ft)
2711-NC21 ⁽²⁾	RS-232 operating cable, 9-pin D-shell to 8-pin mini DIN	5 m (16.4 ft)
2711-NC22	RS-232 operating cable, 9-pin D-shell to 8-pin mini DIN	15 m (49 ft)
2711-CBL-HM05	RS-232 operating cable, 8-pin mini DIN to 8-pin mini DIN PanelView 300 Micro to MicroLogix controller	5 m (16.4 ft)
2711-CBL-HM10		10 m (32.7 ft)
2711-CBL-PM05	RS-232 operating/programming cable, 9-pin D-shell to 8-pin mini DIN PanelView 300 Micro to SLC or PLC controller	5 m (16.4 ft)
2711-CBL-PM10		10 m (32.7 ft)
1761-CBL-AM00	RS-232 operating cable, 8-pin mini DIN to 8-pin mini DIN PanelView 300 Micro to MicroLogix controller	0.5 m (1.5 ft)
1761-CBL-HM02		2 m (6.5 ft)
1761-CBL-AP00	RS-232 operating/programming cable, 9-pin D-shell to 8-pin mini DIN PanelView 300 Micro to SLC or PLC controller	0.5 m (1.5 ft)
1761-CBL-PM02		2 m (6.5 ft)

(1) Cable used for operation/communication with PanelView Standard 2711-xxx5, 2711-xxx9, 2711-xxx16, 2711-xxx17 terminals. Cable used for application file transfer or printing with 2711-xxx1, 2711-xxx3, 2711-xxx8, 2711-xxx9, 2711-xxx10, 2711-xxx15, 2711-xxx16, 2711-xxx17, 2711-xxx20.

(2) Null-modem not required.

Application Upload/Download Cables

This table summarizes cables used by the PanelView Standard terminals to upload and download application files between a computer and the terminal.

Table 23 - Application Transfer Cables

PanelView Standard Terminal	Cable to Computer
PanelView 300 Micro 2711-M3A18L1, 2711-M3A19L1	1761-CBL-PM02 (2 m/6.5 ft) 1761-CBL-PM05 (5 m/16 ft) 1761-CBL-PM10 (10 m/32 ft)
PanelView 300 to 1000 DH-485 comm port only or DH-485 comm port and RS-232 printer port 2711-xxx2, 2711-xxx3	1747-UIC
PanelView 300 to 1000 RS-232 comm port only or RS-232, DH+, ControlNet, DeviceNet, or Remote I/O comm port and RS-232 printer port 2711-xxx1, 2711-xxx5, 2711-xxx8, 2711-xxx9, 2711-xxx10, 2711-xxx15, 2711-xxx16, 2711-xxx17	2711-NC13 (5 m/16 ft) 2711-NC14 (10 m/32 ft)
PanelView 550 to 1000 EtherNet/IP comm port and RS-232 printer port 2711-xxx20	Ethernet cable

Runtime Communication Cables

Tables 24...27 provide a summary of PanelView Standard connections to controllers and interface modules for runtime communication.

Table 24 - Runtime Communication Cables: PanelView Standard Terminals to SLC Controllers

Protocol	PanelView Standard Comm Port	SLC 500, 5/01, 5/02 CH1 RJ45 (DH-485)	SLC 5/03, 5/04, 5/05 CH0 (9-pin RS-232) (DF1 or DH-485)	SLC 5/03 CH1 (RJ45) (DH-485)	SLC 5/04 CH1 (DH+)	SLC 5/05 CH1 (ENET)
DF1	RS-232 (DF1) port (8-pin mini DIN) PanelView 300 Micro 2711-xxx18	—	1761-CBL-AP00 (0.5 m/1.5) 1761-CBL-PM02 (2 m/6.5) 2711-CBL-PM05 (5 m/16 ft) 2711-CBL-PM10 (10 m/32 ft)	—	—	—
	RS-232 (DF1) port (9-pin) PanelView 300 to 1400 2711-xxx16, 2711-xxx17	—	2711-NC13 (5 m/16 ft) 2711-NC14 (10 m/32 ft)	—	—	—
DH-485	RS-232 (DH-485) (8-pin mini DIN) PanelView 300 Micro 2711-xxx19	Use AIC+ module (1761-NET-AIC) to connect to port 1 or 2	1761-CBL-AP00 (0.5 m/1.5) 1761-CBL-PM02 (2 m/6.5) 2711-CBL-PM05 (5 m/16 ft) 2711-CBL-PM10 (10 m/32 ft)	Use AIC+ module (1761-NET-AIC) to connect to port 1 or 2	—	—
	DH-485 port (9-pin) PanelView 300 to 1400 2711-xxx5, 2711-xxx9	Use AIC+ module (1761-NET-AIC) to connect to port 1 or 2	2711-NC13 (5 m/16 ft) 2711-NC14 (10 m/32 ft)	Use AIC+ module (1761-NET-AIC) to connect to port 1 or 2	—	—
	DH-485 port (RJ45) PanelView 300 to 1400 2711-xxx2, 2711-xxx3	1747-C10 (2 m/6 ft) 1747-C11 (0.3 m/1 ft) 1747-C20 (6 m/20 ft)	Use AIC+ module (1761-NET-AIC) to connect to port 3	1747-C10 (2 m/6 ft) 1747-C11 (0.3 m/1 ft) 1747-C20 (6 m/20 ft)	—	—
DeviceNet	DeviceNet port PanelView 300 to 1400 2711-xxx10	To SLC 5/02 with 1747-SDN and DeviceNet cable	Use 1747-SDN module and DeviceNet cable			
ControlNet	ControlNet port PanelView 550T to 1400 2711-xxx15	—	PanelView terminal does not support SLC ControlNet configurations			
EtherNet/IP	EtherNet/IP port PanelView 550T to 1400 2711-xxx20	—	—	—	—	1585J-M type cable or 2711P-CBL-EX04 (4 m/14 ft) ⁽¹⁾
Remote I/O	Remote I/O port PanelView 550T to 1400 2711-xxx1	SLC 5/02 only Use 1747-SN with shielded twinaxial cable (1770-CD)	Use 1747-SN with shielded twinaxial cable (1770-CD)			
DH+	DH+ port PanelView 550T to 1400 2711-xxx8	—	—	—	Shielded twinaxial cable (1770-CD)	—

(1) EtherNet/IP direct connection from the terminal to an SLC 5/05 controller requires an Ethernet switch or the 2711P-CBL-EX04 crossover cable.

Table 25 - Runtime Communication Cables: PanelView Standard Terminals to PLC-5 and MicroLogix Controllers

Protocol	PanelView Standard Comm Port	PLC-5, PLC-5C, PLC-5E CHO (25-pin RS-232) (DF1)	MicroLogix 1500LRP CH1 (9-pin RS-232) MicroLogix 1400 CH2 (9-pin RS-232) (DF1 or DH-485)	MicroLogix 1000, 1100, 1200, 1400, 1500LSP CHO (8-pin Mini DIN) (DF1 or DH-485)	MicroLogix 1100, 1400 Ethernet
DF1	RS-232 (DF1) port (8-pin mini DIN) PanelView 300 Micro 2711-xxx18	1761-CBL-AP00 (0.5 m/1.5) 1761-CBL-PM02 (2 m/6.5) 2711-CBL-PM05 (5 m/16 ft) 2711-CBL-PM10 (10 m/32 ft) Use 9-pin to 25-pin adapter	1761-CBL-AP00 (0.5 m/1.5) 1761-CBL-PM02 (2 m/6.5) 2711-CBL-PM05 (5 m/16 ft) 2711-CBL-PM10 (10 m/32 ft)	1761-CBL-AM00 (0.5 m/1.5) 1761-CBL-HM02 (2 m/6.5) 2711-CBL-HM05 (5 m/16 ft) 2711-CBL-HM10 (10 m/32 ft) ⁽²⁾	—
	RS-232 (DF1) port (9-pin) PanelView 300 to 1400 2711-xxx16, 2711-xxx17	2711-NC13 (5 m/16 ft) 2711-NC14 (10 m/32 ft) Use 9-pin to 25-pin adapter	2711-NC13 (5 m/16 ft) 2711-NC14 (10 m/32 ft)	2711-NC21 (5 m/16 ft) 2711-NC22 (15 m/49 ft) ⁽²⁾	—
DH-485	RS-232 (DH-485) (8-pin mini DIN) PanelView 300 Micro 2711-xxx19	—	1761-CBL-AP00 (0.5 m/1.5) 1761-CBL-PM02 (2 m/6.5) 2711-CBL-PM05 (5 m/16 ft) 2711-CBL-PM10 (10 m/32 ft)	1761-CBL-AM00 (0.5 m/1.5) 1761-CBL-HM02 (2 m/6.5) 2711-CBL-HM05 (5 m/16 ft) 2711-CBL-HM10 (10 m/32 ft) ⁽²⁾	—
	RS-232 (DH-485) port (9-pin) PanelView 300 to 1400 2711-xxx5, 2711-xxx9	—	2711-NC13 (5 m/16 ft) 2711-NC14 (10 m/32 ft)	2711-NC21 (5 m/16 ft) 2711-NC22 (15 m/49 ft) ⁽²⁾	—
	DH-485 port (RJ45) PanelView 300 to 1400 2711-xxx2, 2711-xxx3	—	Use AIC+ module (1761-NET-AIC) to connect to port 3	Use AIC+ module (1761-NET-AIC) to connect to port 3	—
DeviceNet	DeviceNet port PanelView 300 to 1400 2711-xxx10	Use 1771-SDN module and DeviceNet cable	Use 1761-NET-DNI module with DeviceNet cable	Use 1761-NET-DNI module with DeviceNet cable	—
ControlNet	ControlNet port PanelView 550T to 1400 2711-xxx15	To PLC-5C with ControlNet cable	—	—	—
EtherNet/IP	EtherNet/IP port PanelView 550T to 1400 2711-xxx20	To PLC-5/E with 1585J-M type cable or 2711P-CBL-EX04 (4 m/14 ft) ⁽¹⁾	Use 1761-NET-ENI module with Ethernet cable	Use 1761-NET-ENI module with Ethernet cable	1585J-M type cable or 2711P-CBL-EX04 (4 m/14 ft) ⁽¹⁾
Remote I/O	Remote I/O port PanelView 550T to 1400 2711-xxx1	Shielded twinaxial cable (1770-CD)	—	—	—
DH+	DH+ port PanelView 550T to 1400 2711-xxx8	Shielded twinaxial cable (1770-CD)	—	—	—

(1) For a direct connection between the terminal and controller, use the 2711P-CBL-EX04 crossover cable.

(2) AIC+ module recommended for isolation when PanelView terminal and controller are not using same power supply.

Table 26 - Runtime Communication Cables: PanelView Standard Terminals to Logix Controllers

Protocol	PanelView Standard Comm Port	ControlLogix CH0 (9-pin RS-232) (DF1)	CompactLogix CH0 (9-pin RS-232) (DF1 or DH-485)
DF1	RS-232 (DF1) port (8-pin mini DIN) PanelView 300 Micro 2711-xxx18	1761-CBL-AP00 (0.5 m/1.5) 1761-CBL-PM02 (2 m/6.5) 2711-CBL-PM05 (5 m/16 ft) 2711-CBL-PM10 (10 m/32 ft)	1761-CBL-AP00 (0.5 m/1.5) 1761-CBL-PM02 (2 m/6.5) 2711-CBL-PM05 (5 m/16 ft) 2711-CBL-PM10 (10 m/32 ft)
	RS-232 (DF1) port (9-pin) PanelView 300 to 1400 2711-xxx16, 2711-xxx17	2711-NC13 (5 m/16 ft) 2711-NC14 (10 m/32 ft)	2711-NC13 (5 m/16 ft) 2711-NC14 (10 m/32 ft)
DH-485	RS-232 (DH-485) (8-pin mini DIN) PanelView 300 Micro 2711-xxx19	—	1761-CBL-AP00 (0.5 m/1.5) 1761-CBL-PM02 (2 m/6.5) 2711-CBL-PM05 (5 m/16 ft) 2711-CBL-PM10 (10 m/32 ft)
	RS-232 (DH-485) port (9-pin) PanelView 300 to 1400 2711-xxx5, 2711-xxx9	—	2711-NC13 (5 m/16 ft) 2711-NC14 (10 m/32 ft)
	DH-485 port (RJ45) PanelView 300 to 1400 2711-xxx2, 2711-xxx3	—	Use AIC+ module (1761-NET-AIC) to connect to port 3
DeviceNet	DeviceNet port PanelView 300 to 1400 2711-xxx10	Use 1756-DNB module with DeviceNet cable	Use 1761-NET-DNI module with DeviceNet cable
ControlNet	ControlNet port PanelView 550T to 1400 2711-xxx15	Use 1756-CNB module with ControlNet cable	1769-L35CR, -L32C, 1768-CNB, or 1768-CNBR with ControlNet cable
EtherNet/IP	EtherNet/IP port PanelView 550T to 1400 2711-xxx20	Use 1756-EN2T or 1756-ENBT module with 1585J-M type cable or 2711P-CBL-EX04 (4 m/14 ft) ⁽¹⁾	Use 1761-NET-ENI module with Ethernet cable
Remote I/O	Remote I/O port PanelView 550T to 1400 2711-xxx1	Use 1756-DHRIO module with shielded twinaxial cable (1770-CD)	—
DH+	DH+ port PanelView 550T to 1400 2711-xxx8	Use 1756-DHRIO module with shielded twinaxial cable (1770-CD)	—

(1) For a direct connection between the terminal and controller, use the 2711P-CBL-EX04 crossover cable.

Table 27 - Runtime Communication Cables: PanelView Standard Terminals to Interface Modules

Protocol	PanelView Plus Comm Port	1747-AIC	1761-NET-AIC			
			Port 1 (9-pin)	Port 2 8-pin Mini DIN()	Port 3 (DH-485)	1761-NETDNI or 1771-NET-ENI
DF1	RS-232 (DF1) port (8-pin mini DIN) PanelView 300 Micro 2711-xxx18	—	1761-CBL-AP00 (0.5 m/1.5) 1761-CBL-PM02 (2 m/6.5) 2711-CBL-PM05 (5 m/16 ft) 2711-CBL-PM10 (10 m/32 ft)	1761-CBL-AM00 (0.5 m) 1761-CBL-HM02 (2 m) 2711-CBL-HM05 (5 m) 2711-CBL-HM10 (10 m)	—	1761-CBL-AM00 (0.5 m) 1761-CBL-HM02 (2 m) 2711-CBL-HM05 (5 m) 2711-CBL-HM10 (10 m)
	RS-232 (DF1) port (9-pin) PanelView 300 to 1400 2711-xxx16, 2711-xxx17	—	2711-NC13 (5 m/16 ft) 2711-NC14 (10 m/32 ft)	2711-NC21 (5 m/16 ft) 2711-NC22 (15 m/49 ft) Null modem required ⁽¹⁾	—	1761-CBL-AP00 (5 m) 1761-CBL-PM02 (2 m) 2711-CBL-PM05 (5 m) 2711-CBL-PM10 (10 m)
DH-485	RS-232 (DH-485) (8-pin mini DIN) PanelView 300 Micro 2711-xxx19	—	1761-CBL-AP00 (0.5 m/1.5) 1761-CBL-PM02 (2 m/6.5) 2711-CBL-PM05 (5 m/16 ft) 2711-CBL-PM10 (10 m/32 ft)	1761-CBL-AM00 (0.5 m) 1761-CBL-HM02 (2 m) 2711-CBL-HM05 (5 m) 2711-CBL-HM10 (10 m)	—	—
	RS-232 (DH-485) port (9-pin) PanelView 300 to 1400 2711-xxx5, 2711-xxx9	—	2711-NC13 (5 m/16 ft) 2711-NC14 (10 m/32 ft)	2711-NC21 (5 m/16 ft) 2711-NC22 (15 m/49 ft) Null modem required ⁽¹⁾	—	—
	DH-485 port (RJ45) PanelView 300 to 1400 2711-xxx2, 2711-xxx3	1747-C10 (2 m/6ft) 1747-C11 (0.3 m/1 ft) 1747-C20 (6 m/20 ft)	—	—	1761-CBL-AS03 (3 m/10 ft) 1761-CBL-AS09 (9 m/30 ft)	—

(1) Series A cables, cat. no. 2711-NC21, 2711-NC22, for direct connection to 1761-NET-AIC module only. Do not use series A cables on a network of AIC+ modules connected to Belden cables.

Additional Resources

These documents contain additional information concerning related Rockwell Automation products.

Resource	Description
PanelView Standard Operator Terminals User Manual, publication 2711-UM014	Provides information on installing, configuring, operating, and troubleshooting PanelView Standard terminals.
PanelView 300 Keypad Terminals Installation Instructions, publication 2711-IN027	Provides information on installing the PanelView 300 keypad terminals in a panel.
PanelView 300 Micro Terminals Installation Instructions, publication 2711-IN008	Provides information on installing the PanelView 300 Micro terminals in a panel.
PanelView 550 Keypad and Keypad/Touch Installation Instructions, publication 2711-IN009	Provides information on installing the PanelView 550 keypad and keypad/touch-screen terminals in a panel.
PanelView 550/600 Touch-screen Terminal Installation Instructions, publication 2711-IN034	Provides information on installing the PanelView 550/600 touch-screen terminals in a panel.
PanelView 600 Keypad and Keypad/Touch-screen Terminals Installation Instructions, publication 2711-IN010	Provides information on installing the PanelView 600 keypad/touch-screen terminals in a panel.
PanelView 1000 Keypad and Touch-screen Terminals Installation Instructions, publication 2711-IN036	Provides information on installing the PanelView 1000 terminals in a panel.
Industrial Automation Wiring and Grounding Guidelines, publication 1770-4.1	Provides general guidelines for installing a Rockwell Automation industrial system.
Product Certifications website, http://www.ab.com	Provides declarations of conformity, certificates, and other certification details.

You can view or download publications at <http://www.rockwellautomation.com/literature/>. To order paper copies of technical documentation, contact your local Rockwell Automation distributor or sales representative.

Important User Information

Solid-state equipment has operational characteristics differing from those of electromechanical equipment. Safety Guidelines for the Application, Installation and Maintenance of Solid State Controls (publication [SGI-1.1](#) available from your local Rockwell Automation sales office or online at <http://www.rockwellautomation.com/literature/>) describes some important differences between solid-state equipment and hard-wired electromechanical devices. Because of this difference, and also because of the wide variety of uses for solid-state equipment, all persons responsible for applying this equipment must satisfy themselves that each intended application of this equipment is acceptable.

In no event will Rockwell Automation, Inc. be responsible or liable for indirect or consequential damages resulting from the use or application of this equipment.

The examples and diagrams in this manual are included solely for illustrative purposes. Because of the many variables and requirements associated with any particular installation, Rockwell Automation, Inc. cannot assume responsibility or liability for actual use based on the examples and diagrams.

No patent liability is assumed by Rockwell Automation, Inc. with respect to use of information, circuits, equipment, or software described in this manual.

Reproduction of the contents of this manual, in whole or in part, without written permission of Rockwell Automation, Inc., is prohibited.

Documentation Feedback

Your comments will help us serve your documentation needs better. If you have any suggestions on how to improve this document, complete this form, publication [RA-DU002](#), available at <http://www.rockwellautomation.com/literature/>.

Allen-Bradley, SLC 500, SLC 5/03, DH+, MicroLogix, PanelView 300, PanelView 300 Micro, PanelView 550, PanelView 1000, PanelBuilder32, SLC, CompactLogix, ControlLogix, Rockwell Software, Rockwell Automation, and TechConnect are trademarks of Rockwell Automation, Inc.

Trademarks not belonging to Rockwell Automation are property of their respective companies.

Rockwell Otomasyon Ticaret A.Ş., Kar Plaza İş Merkezi E Blok Kat:6 34752 İçerenköy, İstanbul, Tel: +90 (216) 5698400

www.rockwellautomation.com

Power, Control and Information Solutions Headquarters

Americas: Rockwell Automation, 1201 South Second Street, Milwaukee, WI 53204 USA, Tel: (1) 414.382.2000, Fax: (1) 414.382.4444

Europe/Middle East/Africa: Rockwell Automation, Vorstlaan/Boulevard du Souverain 36, 1170 Brussels, Belgium, Tel: (32) 2 663 0600, Fax: (32) 2 663 0640

Asia Pacific: Rockwell Automation, Level 14, Core F, Cyberport 3, 100 Cyberport Road, Hong Kong, Tel: (852) 2887 4788, Fax: (852) 2508 1846