

PanelView Component Specifications

Catalog Numbers 2711C-F2M, 2711C-K2M, 2711C-T3M, 2711C-K3M, 2711C-T4T, 2711C-T6M, 2711C-T6T, 2711C-T10C



Topic	Page
Environmental Specifications	2
General Specifications	3
Certifications	3
Technical Specifications	4
Dimensions	6
Accessories	8
Software	9
Cables	10
Additional Resources	11

PanelView Component Family

This component-level operator interface provides a control and visualization solution for low-level applications that use serial or Ethernet communication. This device can connect directly to the PowerFlex® 4 drives. Preferred controllers include the Allen-Bradley® MicroLogix™ and Micro800™ families.

The integrated mounting clamps and quick-lever clips provide for panel installation and maintenance.

These 2-inch to 10-inch displays have built-in programming software that is accessed from a web browser over a USB or Ethernet connection. You can design your application and adjust terminal settings while viewing the results directly on the connected terminal. Secured programming access, unicode language switching, alarm messages and history, and recipe operations are other key features.



Environmental Specifications

Attribute	2711C-F2M, 2711C-K2M, 2711C-T3M, 2711C-K3M, 2711C-T4T, 2711C-T6M, 2711C-T6T, 2711C-T10C
Temperature, operating	IEC 60068-2-1 (Test Ad, Operating Cold), IEC 60068-2-2 (Test Bd, Operating Dry Heat), IEC 60068-2-14 (Test Nb, Operating Thermal Shock): 0...50 °C (32...122 °F)
Temperature, nonoperating	IEC 60068-2-1 (Test Ab, Unpackaged Nonoperating Cold), IEC 60068-2-2 (Test Bb, Unpackaged Nonoperating Dry Heat), IEC 60068-2-14 (Test Na, Unpackaged Nonoperating Thermal Shock): -25...70 °C (-13...158 °F)
Temperature, surrounding, max	50 °C (122 °F)
Heat dissipation	C200/C300: 16 BTU/hr C400: 24 BTU/hr C600: 32 BTU/hr C1000: 58 BTU/hr
Relative humidity	IEC 60068-2-30 (Test Db, Unpackaged Damp Heat): 5...95% noncondensing
Vibration	IEC 60068-2-6 (Test Fc, Operating): 2 g at 10...500 Hz
Shock, operating	IEC 60068-2-27 (Test Ea, Unpackaged Shock): 15 g at 11 ms
Shock, nonoperating	IEC 60068-2-27 (Test Ea, Unpackaged Shock): 30 g
Emissions	CISPR 11: Group 1, Class A
ESD immunity	IEC 61000-4-2: 4 kV contact discharges 8 kV air discharges
Radiated RF immunity	IEC 61000-4-3: 10V/m with 1 kHz sine-wave 80% AM from 80...2000 MHz 3V/m with 1 kHz sine-wave 80% AM from 1400...2000 MHz 1V/m with 1 kHz sine-wave 80% AM from 2000...2700 MHz
EFT/B immunity	IEC 61000-4-4: ±2 kV at 5 kHz on power ports ±1 kV at 5 kHz on communication ports
Surge transient immunity	IEC 61000-4-5: ±500V line-line (DM) and ±1 kV line-earth (CM) on DC power ports ±1 kV line-earth (CM) on communication ports
Conducted RF immunity	IEC 61000-4-6: 10V rms with 1 kHz sine-wave 80% AM from 150 kHz...80 MHz

General Specifications

Attribute	2711C-F2M, 2711C-K2M, 2711C-T3M, 2711C-K3M, 2711C-T4T, 2711C-T6M, 2711C-T6T, 2711C-T10C
Isolation voltage	For 2711C-T4T only 30V (continuous), basic insulation type Tested at 500V for 60 s, line to Ethernet No isolation between all ports to line, except Ethernet port Duration indicates that the product was qualification or type-tested to the specified level (one-time tested on a representative sample)
Wire size	Single-wire gauge: 0.33...2.08 mm ² (22...14 AWG) Dual-wire gauge: 0.33...1.31 mm ² (22...16 AWG) Earth wire: 2.08...3.31 mm ² (14...12 AWG)
Wire type	Solid or stranded copper wire that is rated at 90 °C (194 °F), or greater
Wiring category ⁽¹⁾	2 – on power ports 2 – on communication ports
Enclosure type ratings	Meets NEMA / UL Type 4X (indoor) 12, 13, and IEC IP54, IP65 (when marked) C600 series B only: NEMA / UL Type 12, 13, and IEC IP54
North American temperature code	T3C – only for 2711C-T4T

(1) Use this conductor category information to plan for conductor routing. See Industrial Automation Wiring and Grounding Guidelines, publication [1770-4.1](#).

Certifications

Certifications (when product is marked) ⁽¹⁾	2711C-F2M, 2711C-K2M, 2711C-T3M, 2711C-K3M, 2711C-T4T, 2711C-T6M, 2711C-T6T, 2711C-T10C
cULus	UL Listed Industrial Control Equipment, certified for US and Canada. See UL File E113724. Only for 2711C-T4T UL Listed for Class I, Division 2 Group A,B,C,D Hazardous Locations, certified for U.S. and Canada. See UL File E10314.
CE	European Union 2004/108/EC EMC Directive, in compliance with: EN 61000-6-2; Industrial Immunity EN 61000-6-4; Industrial Emissions
EAC	Russian Customs Union TR CU 020/2011 EMC Technical Regulation
RCM	Australian Radiocommunications Act, in compliance with: AS/NZS CISPR 11; Industrial Emissions
KC	Korean Registration of Broadcasting and Communications Equipment, in compliance with: Article 58-2 of Radio Waves Act, Clause 3

(1) See the Product Certification link at <http://www.ab.com> for Declarations of Conformity, Certificates, and other certification details.

Technical Specifications

The tables in this section provide technical specifications for the PanelView™ Component terminals.

Table 1 - Technical Specifications - PanelView Component C200 and C300 Terminals









Attribute				
	C200 2711C-F2M	C200 2711C-K2M	C300 2711C-T3M	C300 2711C-K3M
Display type	Monochrome transfective STN passive matrix		Monochrome transfective FSTN passive matrix	
Display size	2-in.		3-in.	
Display area (WxH)	49 x 14 mm (1.93 x 0.55 in.)		67 x 33 mm (2.64 x 1.30 in.)	
Resolution	122 x 32		128 x 64	
Backlight	50,000 hours life, min; not replaceable		50,000 hours life, min; not replaceable	
	Yellow/Green status indicator		White status indicator	
Operator input	Four function keys (F1...F4) Up, down, left, right, Enter keys	Ten function keys (F1...F10) Numeric keypad 0...9 Up, down, left, right, decimal, +/-, Enter keys	Analog touch	Ten function keys (F1...F10) Numeric keypad 0...9 Up, down, left, right, decimal, +/-, Enter keys
Real-time clock	No battery backup			
Battery	5-year min at 25 °C (77 °F)			
Programming port	USB device port			
Communication ports	RS-232 (DH-485), RS-232 (DF1), RS-485 Multi-vendor communication available for Modbus and Siemens MPI devices			
Memory card	USB flash drive			
Software	DesignStation software, version 2.0 or later Web-enabled software resident in terminal that is accessed through web browser Browser support: Firefox 3.0, Internet Explorer 7 or 8 Emulator available			
Preferred controller	MicroLogix, SLC™, and Micro800 controllers			
Input voltage, DC	18...30V DC (24V DC nom)			
Power consumption, DC	5 W max (0.21 A at 24V DC)			
Weight, approx	0.19 g (0.40 lb)	0.30 kg (0.65 lb)	0.20 kg (0.43 lb)	0.30 kg (0.65 lb)
Dimensions (HxWxD), approx	80 x 116 x 54 mm 3.15 x 4.54 x 2.13 in.	119 x 139 x 55 mm 4.69 x 5.47 x 2.15 in.	80 x 116 x 57 mm 3.15 x 4.54 x 2.23 in.	119 x 139 x 55 mm 4.69 x 5.47 x 2.15 in.
Cutout dimensions (HxWxD), approx	65 x 100 mm 2.56 x 3.94 in.	100 x 120 mm 3.94 x 4.72 in.	65 x 100 mm 2.56 x 3.94 in.	100 x 120 mm 3.94 x 4.72 in.

Table 2 - Technical Specifications - PanelView Component C400, C600, and C1000 Terminals

Attribute				
	C400 2711C-T4T	C600 2711C-T6T	C600 2711C-T6M	C1000 2711C-T10C
Display type	Color transmissive TFT active matrix LCD	Color transmissive TFT active matrix LCD	Monochrome transmissive FSTN passive matrix	Color transmissive TFT active matrix LCD
Display size	4.3-in.	5.7-in.		10.4-in.
Display area (WxH)	95 x 53.86 mm (3.74 x 2.12 in.)	115 x 86 mm (4.53 x 3.39 in.)		211 x 158 mm (8.31 x 6.22 in.)
Resolution	480 x 272	320 x 240		640 x 480
Backlight	40,000 hours life, min; not replaceable		50,000 hours life, min; not replaceable	
	White status backlight	White status backlight	CCFL	
Operator input	Analog touch Actuation rating: 1 million presses			
Real-time clock	Battery backup			
Battery life	5-year min at 25 °C (77 °F)			
Programming port	USB device port or Ethernet port			
Communication ports	RS-232 (DH-485), RS-232 (DF1), RS-485, Ethernet Multi-vendor communication available for Modbus, Modbus/TCP, and Siemens MPI devices			
Memory card	USB flash drive	USB flash drive Secure Digital (SD) card: Cat. no. 2711C-RCSd, USB to SD adapter with SD card		
Software	DesignStation software, version 2.0 or later Web-enabled software resident in terminal that is accessed through web browser Browser support: Firefox 3.0, Internet Explorer 7 or 8 Emulator available			
Preferred controller	MicroLogix, SLC, and Micro800 controllers			
Input voltage, DC	18...30V DC (24V DC nom)	18...30V DC (24V DC nom)		
Power consumption, DC	3.5 W max (0.14 A at 24V DC)	10 W max (0.42 A at 24V DC)	18 W max (0.75 A at 24V DC)	
Weight, approx	0.35 g (0.76 lb)	0.68 g (1.48 lb)	1.57 kg (3.41 lb)	
Dimensions (HxWxD), approx	113 x 138 x 43 mm 4.45 x 5.43 x 1.69 in.	154 x 209 x 57 mm 6.0 x 8.23 x 2.25 in.	250 x 308 x 54 mm 9.84 x 12.13 x 2.13 in.	
Cutout dimensions (HxWxD), approx	99 x 119 mm 3.9 x 4.69 in.	136 x 190 mm 5.35 x 7.48 in.	232 x 290 mm 9.13 x 11.42 in.	

Dimensions

Dimensions are provided for the PanelView Component terminals.

Figure 1 - PanelView Component C200 and C300 Terminals

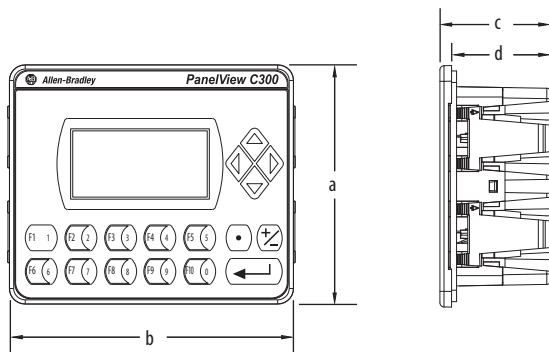


Figure 2 - PanelView Component C200 Function Key and C300 Touch Terminals

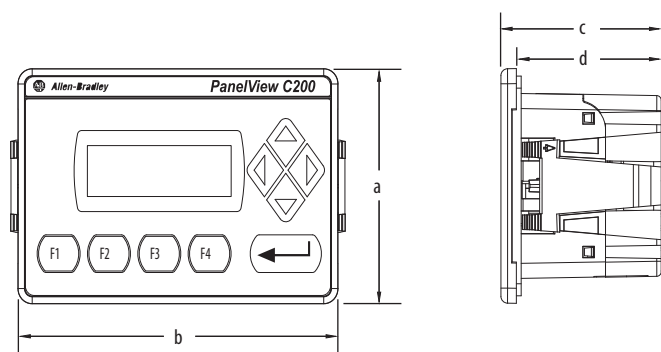


Table 3 - Dimensions - PanelView Component C200 and C300

PanelView Component	Height, approx	Width, approx	Depth Overall, approx	Mounted Depth, approx	Cutout Height, approx	Cutout Width, approx
	a	b	c	d	mm (in.)	mm (in.)
C200 and C300 Keypad	119 mm (4.69 in.)	139 mm (5.47 in.)	55 mm (2.15 in.)	49 mm (1.93 in.)	99.0 ± 1.0 (3.90 ± 0.04)	119.0 ± 1.0 (4.69 ± 0.04)
C200 Function Key	80 mm (3.15 in.)	116 mm (4.57 in.)	54 mm (2.13 in.)	49 mm (1.93 in.)	64.0 ± 1.0 (2.52 ± 0.04)	99.0 ± 1.0 (3.90 ± 0.04)
C300 Touch			57 mm (2.23 in.)		64.0 ± 1.0 (2.52 ± 0.04)	99.0 ± 1.0 (3.90 ± 0.04)

Figure 3 - PanelView Component C400 Touch Terminal

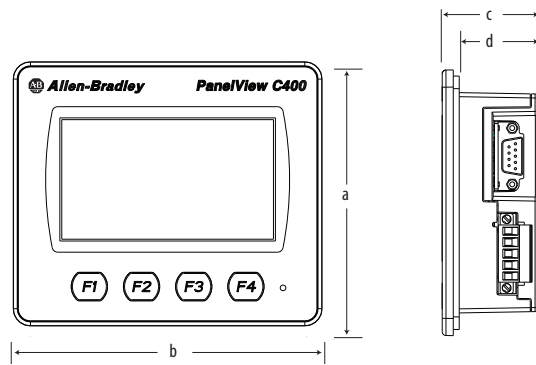


Figure 4 - PanelView Component C600 Touch Terminal

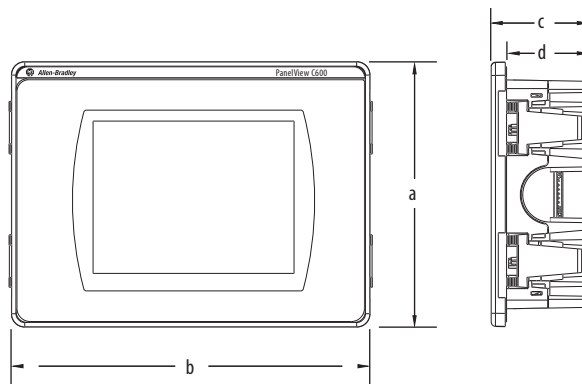


Figure 5 - PanelView Component C1000 Touch Terminal

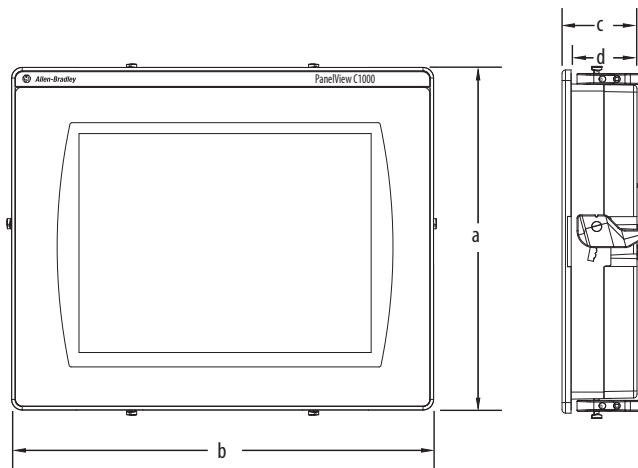


Table 4 - Dimensions - PanelView Component C400, C600, and C1000

PanelView Component	Height, approx	Width, approx	Depth Overall, approx	Mounted Depth, approx	Cutout Height, approx	Cutout Width, approx
	a	b	c	d	mm (in.)	mm (in.)
C400 Touch	113 mm (4.45 in.)	138 mm (5.43 in.)	43 mm (1.69 in.)	38 mm (1.49 in.)	99.0 ± 1.0 (3.90 ± 0.04)	119.0 ± 1.0 (4.69 ± 0.04)
C600 Touch	154 mm (6.0 in.)	209 mm (8.23 in.)	57 mm (2.25 in.)	49 mm (1.93 in.)	135.0 ± 1.0 (5.31 ± 0.04)	189.0 ± 1.0 (7.44 ± 0.04)
C1000 Touch	250 mm (9.84 in.)	308 mm (12.13 in.)	54 mm (2.13 in.)	49 mm (1.93 in.)	231.0 ± 1.0 (9.09 ± 0.04)	289.0 ± 1.0 (11.38 ± 0.04)

Accessories

[Table 5](#) through [Table 8](#) list the accessories for the PanelView Component terminals.

Table 5 - SD Card

Cat. No.	Description
2711C-RCSD	USB to SD adapter with SD card

Table 6 - Antiglare Overlays

Cat. No. ⁽¹⁾	PanelView Component	Input Type		
		Function Key	Numeric Keypad	Touch
2711C-RG2F	C200	.		
	C300			.
2711C-RG2K	C200		.	
	C300		.	
2711C-RG6T	C600			.
2711C-RG10T	C1000			.

(1) Three overlays are shipped with each catalog number.

Table 7 - Power Terminal Blocks

Cat. No.	Description	Quantity
2711C-RJ422	RS-422/485 connector with resistor	10
2711-TBDC	DC power terminal block	10

Table 8 - Power Supply

Cat. No.	Description	Quantity
2711P-RSACDIN	DIN-rail mount AC-to-DC power supply, 85...265V AC, 47...63 Hz	1

Software

The PanelView Component operator interface with its on-terminal programming software removes the need to install software on a personal computer and reduces both start-up and service time. Connect your computer to the PanelView Component terminal through a USB cable or Ethernet, then launch the software through your web browser. Microsoft Internet Explorer and Mozilla Firefox are supported. A dashboard provides one point of entry for accessing all terminal and design operations.

Take advantage of these features while connected to the terminal:

- Launch the design environment where navigation tabs guide you through application development.
- View the results of your design efforts directly on the terminal without having to download the application first.
- Modify terminal display and communication settings, view system information, and enable login security.
- Transfer files between PanelView Component terminal storage and a USB flash drive, SD card, or computer; and delete files from terminal storage.
- Change the start-up application or language the terminal uses for configuration screens and diagnostic messages.

For programming without a PanelView Component, you can create an application using the free DesignStation software or an emulator. The emulator and browser must be on the same computer.

Table 9 - Supported Browsers and Platforms

Operating System	Browser	Platform Supported
Windows 7	Internet Explorer 7 and 8, Firefox 3.0	Terminal and emulator
Windows Vista Windows XP, Service Pack 2 (SP2)	Internet Explorer 7 and 8	DesignStation 2.0 or later

Cables

Use these cables for connecting PanelView Component terminals.

Table 10 - Cables for PanelView Component Terminals

Cat. No.	Description	For Use with These Terminals
2711C-CBL-UU02	USB-A host to USB-B device cable, 2 m (6.5 ft)	C200, C300, C400, C600, and C1000
2711P-CBL-EX04	Ethernet crossover CAT5 cable, 4.3 m (14 ft)	C400, C600, and C100
2711C-RCSD	USB to SD adapter with SD card	C200, C300, C400, C600, and C1000
1747-CP3	Serial 9-pin D-shell to 9-pin D-shell null modem cable, 3 m (10 ft)	C200, C300, C400, C600, and C1000
1761-CBL-PM02	Serial 9-pin D-shell to 8-pin mini DIN cable, 2 m (6.5 ft)	C200, C300, C400, C600, and C1000
2711C-CBL-AB03	RS-485 5-pin connector to RJ45 cable	C200, C300, C600, and C1000

This table provides a summary of connections to MicroLogix controllers.

Table 11 - PanelView Component Terminal Connections to MicroLogix Controllers

Protocol	PanelView Component Port	MicroLogix (8-pin Mini DIN) 1000, 1100, 1400, 1200LSP, 1500LSP (CH0)	MicroLogix (9-pin D-shell) 1500LRP (CH1)	MicroLogix 1100/1400 RS-485 (1763-NC01)	MicroLogix 1100, 1400 Ethernet
DF1	RS-232	1761-CBL-PM002	1747-CP3	1747-CP3	—
DH-485	RS-232	1761-CBL-PM002	1747-CP3	1747-CP3	—
	RS-485 ⁽¹⁾	—	—	—	—
Modbus	RS-232	1761-CBL-PM002	1747-CP3	1747-CP3	—
Ethernet (MicroLogix/ENI)2	Ethernet	—	—	—	CAT5 Ethernet

(1) RS-485 is nonisolated and is recommended for connecting to only one device with an isolated port.

Additional Resources

These documents contain additional information concerning related products from Rockwell Automation.

Resource	Description
PanelView Component Installation Instructions, publication 2711C-IN001	Provides instructions for installing a PanelView Component terminal.
PanelView Component User Manual, publication 2711C-UM001	Provides information on how to configure and operate the PanelView Component terminal, including troubleshooting information.
PanelView Component Quick Start, publication 2711C-OS001	Provides instructions on configuring a sample application on a PanelView Component terminal.
Industrial Automation Wiring and Grounding Guidelines, publication 1770-4.1	Provides general guidelines for installing an automation industrial system.
Product Certifications website, http://www.ab.com	Provides declarations of conformity, certificates, and other certification details.

You can view or download publications at <http://www.rockwellautomation.com/literature/>. To order paper copies of technical documentation, contact your local Allen-Bradley distributor or Rockwell Automation sales representative.

Important User Information

Read this document and the documents listed in the additional resources section about installation, configuration, and operation of this equipment before you install, configure, operate, or maintain this product. Users are required to familiarize themselves with installation and wiring instructions in addition to requirements of all applicable codes, laws, and standards.

Activities including installation, adjustments, putting into service, use, assembly, disassembly, and maintenance are required to be carried out by suitably trained personnel in accordance with applicable code of practice.

If this equipment is used in a manner not specified by the manufacturer, the protection provided by the equipment may be impaired.

In no event will Rockwell Automation, Inc. be responsible or liable for indirect or consequential damages resulting from the use or application of this equipment.

The examples and diagrams in this manual are included solely for illustrative purposes. Because of the many variables and requirements associated with any particular installation, Rockwell Automation, Inc. cannot assume responsibility or liability for actual use based on the examples and diagrams.

No patent liability is assumed by Rockwell Automation, Inc. with respect to use of information, circuits, equipment, or software described in this manual.

Reproduction of the contents of this manual, in whole or in part, without written permission of Rockwell Automation, Inc., is prohibited.

Documentation Feedback

Your comments will help us serve your documentation needs better. If you have any suggestions on how to improve this document, complete this form, publication [RA-DU002](#), available at <http://www.rockwellautomation.com/literature/>.

Rockwell Automation maintains current product environmental information on its website at <http://www.rockwellautomation.com/rockwellautomation/about-us/sustainability-ethics/product-environmental-compliance.page>.

Allen-Bradley, MicroLogix, SLC, PowerFlex, Micro800, PanelView, Rockwell Software, Rockwell Automation, and LISTEN. THINK. SOLVE are trademarks of Rockwell Automation, Inc. Trademarks not belonging to Rockwell Automation are property of their respective companies.

Rockwell Otomasyon Ticaret A.Ş., Kar Plaza İş Merkezi E Blok Kat:6 34752 İçerenköy, İstanbul, Tel: +90 (216) 5698400

www.rockwellautomation.com

Power, Control and Information Solutions Headquarters

Americas: Rockwell Automation, 1201 South Second Street, Milwaukee, WI 53204-2496 USA, Tel: (1) 414.382.2000, Fax: (1) 414.382.4444
Europe/Middle East/Africa: Rockwell Automation NV, Pegasus Park, De Kleetlaan 12a, 1831 Diegem, Belgium, Tel: (32) 2 663 0600, Fax: (32) 2 663 0640
Asia Pacific: Rockwell Automation, Level 14, Core F, Cyberport 3, 100 Cyberport Road, Hong Kong, Tel: (852) 2887 4788, Fax: (852) 2508 1846

Publication 2711C-TD001E-EN-P - July 2015

Supersedes Publication 2711C-TD001D-EN-P - January 2015

Copyright © 2015 Rockwell Automation, Inc. All rights reserved. Printed in the U.S.A.