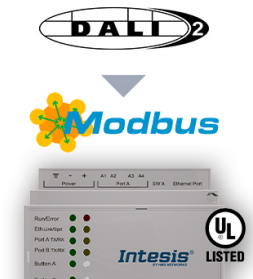




DALI to Modbus TCP & RTU Server Gateway

Integrate any DALI/DALI-2 driver and DALI-2 light sensor, or occupancy sensor with a Modbus BMS or any Modbus TCP or Modbus RTU controller. The aim of this integration is to make DALI devices and its data and resources accessible from a Modbus based control system or device, as if it was a part of the own Modbus system and vice-versa.



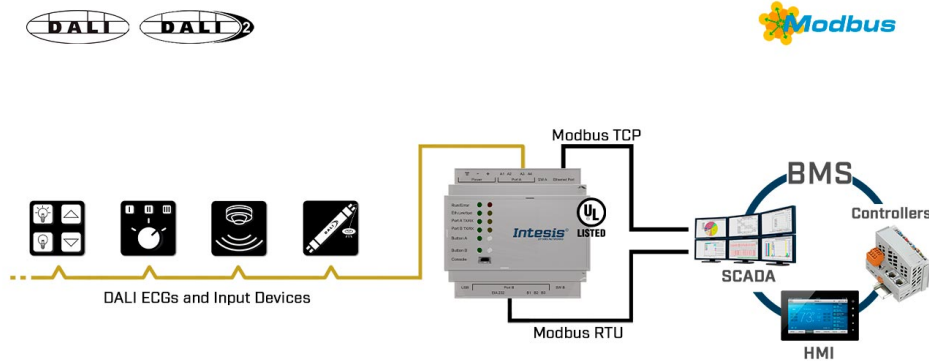
FEATURES

- UL Certified
- DALI-2 Certified
- Support for up to 5 simultaneous Modbus TCP Clients
- Both Modbus RTU & Modbus TCP
- Support for DALI & DALI-2 drivers & DALI-2 Input devices including: Push buttons, Absolute inputs, Occupancy and Light sensors
- Integrated DALI power supply
- Up to 2 DALI channels
- Up to 64 drivers/ballasts + 64* DALI-2 input devices (sensors, push buttons or absolute inputs).
- *See manual for details
- Easy integration & DALI commissioning with Intesis MAPS
- Up to 10000 signals in total and 230mA current guaranteed

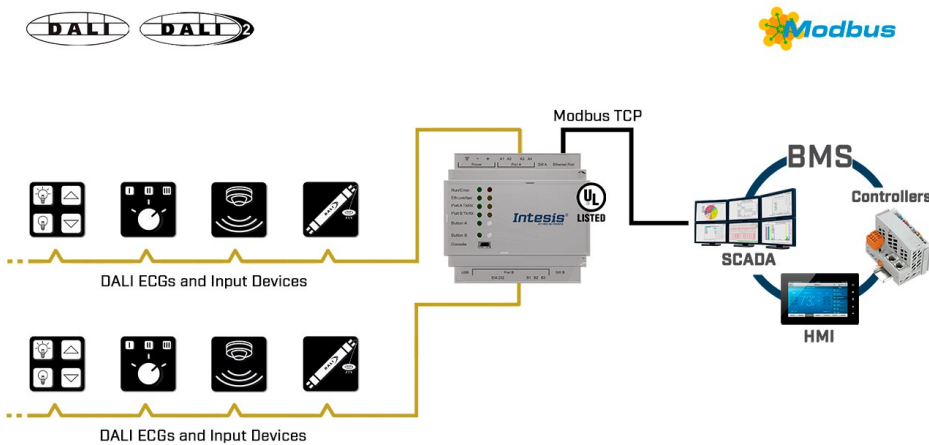
Use Case

Integration of DALI drivers and sensors into a Modbus installation.

VERSION SUPPORTING 1 DALI CHANNEL



VERSION SUPPORTING 2 DALI CHANNELS



Description

This bidirectional gateway provides a straightforward and fast integration thanks to its unique onboard features.

Thanks to its support for both Modbus RTU and TCP, with the possibility to work together at the same time, a seamless integration with any Modbus BMS or controller it is guaranteed.

The configuration is carried out using the Intesis MAPS software. This one allows you to define your own settings for the device. Also, it will be able to download all the available project templates or to import any created/exported project template on your computer.

Technical Documentation

User Manual	General information about this product	Download
Installation Manual INMBSDAL0640200	Learn how to install the device in your project	Download
Installation Manual INMBSDAL1280200	Learn how to install the device in your project	Download
Datasheet	Find all the specifications around this product	Download
DALI-2 Certification INMBSDAL0640200	Check the product certification	Download

DALI-2 Certification INMBSDAL1280200	Check the product certification	Download
EC Declaration of Conformity INMBSDAL0640200	Check the product certification	Download
EC Declaration of Conformity INMBSDAL1280200	Check the product certification	Download
KC Certification	Check the product KC Certification	Download
CAD Drawings 2D and 3D	Check the CAD Drawings 2D and 3D	Download
Application Note	DALI local control and Absolute inputs	Download

→ [Click here to ask for a product upgrade and increase the gateway's capacity](#)

Programming Tools

Intesis MAPS	Get access to download the configuration software tool	Download
Intesis MAPS User Manual for Modbus	General information about Intesis MAPS for Modbus projects	Download
eLearning course	Learn the secrets of Intesis MAPS	Enroll now

Commercial Documentation

Intesis Brochure	Know more about the Intesis current available products	Download
------------------	--	----------

File	Version	Size	Read online
------	---------	------	-------------

ORDER CODES:

INMBSDAL0640200	DALI to Modbus TCP & RTU Server Gateway - 1 channel
INMBSDAL1280200	DALI to Modbus TCP Server Gateway - 2 channels

INCLUDED COMPONENTS:

- Intesis Gateway.
- Installation Manual.
- USB Configuration cable.

Warranty: 36 months.

Copyright © 2020 HMS Industrial Networks - All rights reserved.